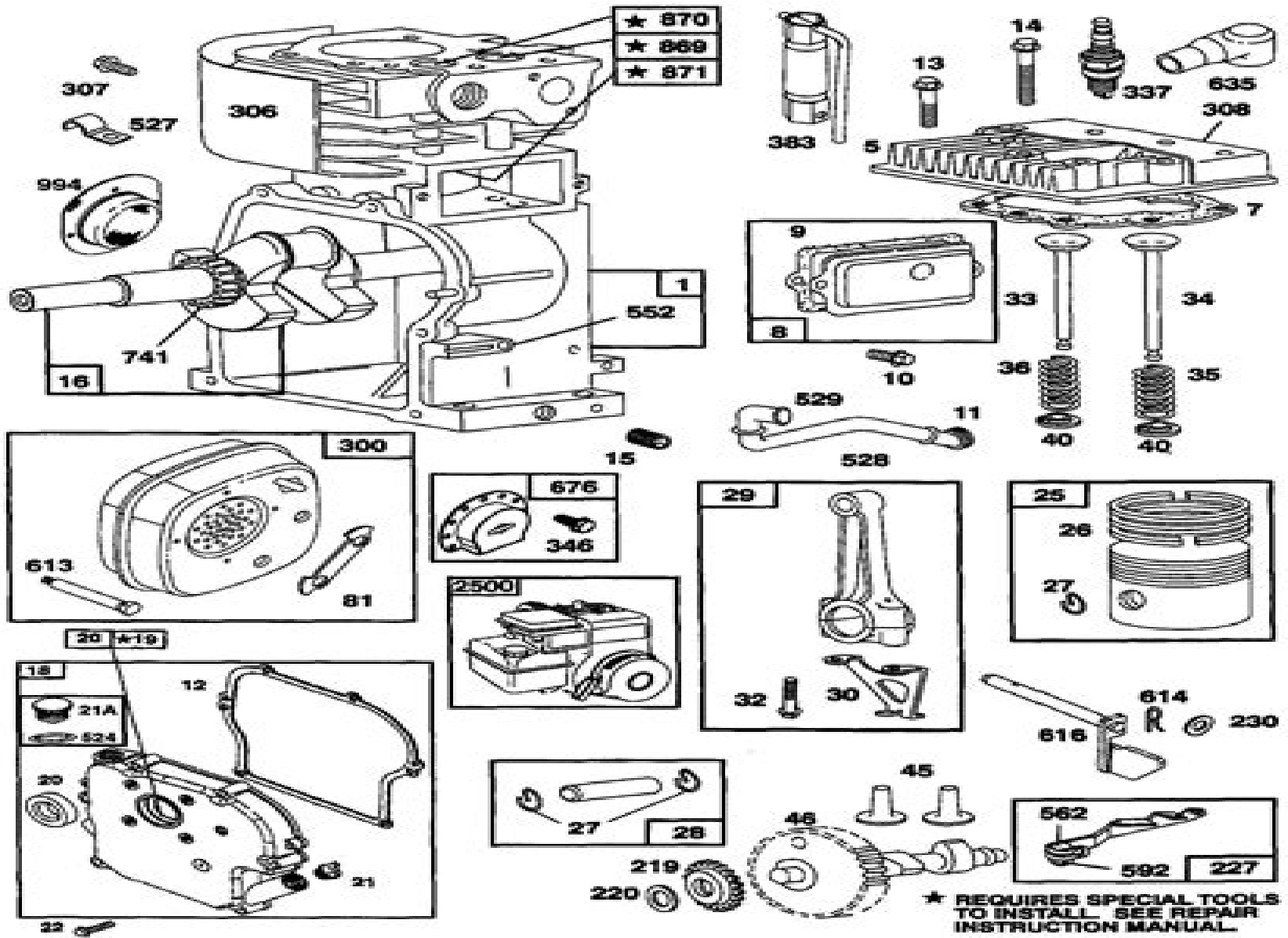


BRIGGS AND STRATTON ENGINE - MODEL NO. 137202-1117-E1



★ REQUIRES SPECIAL TOOLS TO INSTALL. SEE REPAIR INSTRUCTION MANUAL.

Briggs And Stratton 18 Hp Engine Manual

Michael Rajnik



Briggs And Stratton 18 Hp Engine Manual:

Technical Manual United States. War Department,1951 Technical Manual United States Department of the Army,1951 **Index of Technical Manuals, Technical Regulations, Technical Bulletins, Supply Bulletins, Lubrications Orders, and Modification Work Orders** United States. Department of the Army,1954 **Small Air-cooled Engine Service Manual, 1990-1994** ,1995 Previously published as one volume under same title **Operator, Organizational, Direct Support, and General Support Maintenance Manual Including Repair Parts List for Grinding Kit, Valve Seat (K O Lee Co, Inc) (4910-00-060-9983).** ,1989 Small AC Generator Service Manual ,1986 **Tractor Field Book** ,1928 *Public Works Manual* ,1995 **Independent Sawmill & Woodlot Management** ,2001

Popular Science ,1963-11 Popular Science gives our readers the information and tools to improve their technology and their world The core belief that Popular Science and our readers share The future is going to be better and science and technology are the driving forces that will help make it better

Uncover the mysteries within Explore with is enigmatic creation, Discover the Intrigue in **Briggs And Stratton 18 Hp Engine Manual** . This downloadable ebook, shrouded in suspense, is available in a PDF format (*). Dive into a world of uncertainty and anticipation. Download now to unravel the secrets hidden within the pages.

https://stats.tinkerine.com/data/uploaded-files/Documents/audi_a6_c6_2008_to_2010_workshop_service_repair_manual.pdf

Table of Contents Briggs And Stratton 18 Hp Engine Manual

1. Understanding the eBook Briggs And Stratton 18 Hp Engine Manual
 - The Rise of Digital Reading Briggs And Stratton 18 Hp Engine Manual
 - Advantages of eBooks Over Traditional Books
2. Identifying Briggs And Stratton 18 Hp Engine Manual
 - Exploring Different Genres
 - Considering Fiction vs. Non-Fiction
 - Determining Your Reading Goals
3. Choosing the Right eBook Platform
 - Popular eBook Platforms
 - Features to Look for in an Briggs And Stratton 18 Hp Engine Manual
 - User-Friendly Interface
4. Exploring eBook Recommendations from Briggs And Stratton 18 Hp Engine Manual
 - Personalized Recommendations
 - Briggs And Stratton 18 Hp Engine Manual User Reviews and Ratings
 - Briggs And Stratton 18 Hp Engine Manual and Bestseller Lists
5. Accessing Briggs And Stratton 18 Hp Engine Manual Free and Paid eBooks
 - Briggs And Stratton 18 Hp Engine Manual Public Domain eBooks
 - Briggs And Stratton 18 Hp Engine Manual eBook Subscription Services
 - Briggs And Stratton 18 Hp Engine Manual Budget-Friendly Options
6. Navigating Briggs And Stratton 18 Hp Engine Manual eBook Formats

- ePub, PDF, MOBI, and More
 - Briggs And Stratton 18 Hp Engine Manual Compatibility with Devices
 - Briggs And Stratton 18 Hp Engine Manual Enhanced eBook Features
7. Enhancing Your Reading Experience
 - Adjustable Fonts and Text Sizes of Briggs And Stratton 18 Hp Engine Manual
 - Highlighting and Note-Taking Briggs And Stratton 18 Hp Engine Manual
 - Interactive Elements Briggs And Stratton 18 Hp Engine Manual
 8. Staying Engaged with Briggs And Stratton 18 Hp Engine Manual
 - Joining Online Reading Communities
 - Participating in Virtual Book Clubs
 - Following Authors and Publishers Briggs And Stratton 18 Hp Engine Manual
 9. Balancing eBooks and Physical Books Briggs And Stratton 18 Hp Engine Manual
 - Benefits of a Digital Library
 - Creating a Diverse Reading Collection Briggs And Stratton 18 Hp Engine Manual
 10. Overcoming Reading Challenges
 - Dealing with Digital Eye Strain
 - Minimizing Distractions
 - Managing Screen Time
 11. Cultivating a Reading Routine Briggs And Stratton 18 Hp Engine Manual
 - Setting Reading Goals Briggs And Stratton 18 Hp Engine Manual
 - Carving Out Dedicated Reading Time
 12. Sourcing Reliable Information of Briggs And Stratton 18 Hp Engine Manual
 - Fact-Checking eBook Content of Briggs And Stratton 18 Hp Engine Manual
 - Distinguishing Credible Sources
 13. Promoting Lifelong Learning
 - Utilizing eBooks for Skill Development
 - Exploring Educational eBooks
 14. Embracing eBook Trends
 - Integration of Multimedia Elements
 - Interactive and Gamified eBooks

Briggs And Stratton 18 Hp Engine Manual Introduction

In today's digital age, the availability of Briggs And Stratton 18 Hp Engine Manual books and manuals for download has revolutionized the way we access information. Gone are the days of physically flipping through pages and carrying heavy textbooks or manuals. With just a few clicks, we can now access a wealth of knowledge from the comfort of our own homes or on the go. This article will explore the advantages of Briggs And Stratton 18 Hp Engine Manual books and manuals for download, along with some popular platforms that offer these resources. One of the significant advantages of Briggs And Stratton 18 Hp Engine Manual books and manuals for download is the cost-saving aspect. Traditional books and manuals can be costly, especially if you need to purchase several of them for educational or professional purposes. By accessing Briggs And Stratton 18 Hp Engine Manual versions, you eliminate the need to spend money on physical copies. This not only saves you money but also reduces the environmental impact associated with book production and transportation. Furthermore, Briggs And Stratton 18 Hp Engine Manual books and manuals for download are incredibly convenient. With just a computer or smartphone and an internet connection, you can access a vast library of resources on any subject imaginable. Whether you're a student looking for textbooks, a professional seeking industry-specific manuals, or someone interested in self-improvement, these digital resources provide an efficient and accessible means of acquiring knowledge. Moreover, PDF books and manuals offer a range of benefits compared to other digital formats. PDF files are designed to retain their formatting regardless of the device used to open them. This ensures that the content appears exactly as intended by the author, with no loss of formatting or missing graphics. Additionally, PDF files can be easily annotated, bookmarked, and searched for specific terms, making them highly practical for studying or referencing. When it comes to accessing Briggs And Stratton 18 Hp Engine Manual books and manuals, several platforms offer an extensive collection of resources. One such platform is Project Gutenberg, a nonprofit organization that provides over 60,000 free eBooks. These books are primarily in the public domain, meaning they can be freely distributed and downloaded. Project Gutenberg offers a wide range of classic literature, making it an excellent resource for literature enthusiasts. Another popular platform for Briggs And Stratton 18 Hp Engine Manual books and manuals is Open Library. Open Library is an initiative of the Internet Archive, a non-profit organization dedicated to digitizing cultural artifacts and making them accessible to the public. Open Library hosts millions of books, including both public domain works and contemporary titles. It also allows users to borrow digital copies of certain books for a limited period, similar to a library lending system. Additionally, many universities and educational institutions have their own digital libraries that provide free access to PDF books and manuals. These libraries often offer academic texts, research papers, and technical manuals, making them invaluable resources for students and researchers. Some notable examples include MIT OpenCourseWare, which offers free access to course materials from the Massachusetts Institute of Technology, and the Digital Public Library of America, which provides a vast collection of digitized books and historical

documents. In conclusion, Briggs And Stratton 18 Hp Engine Manual books and manuals for download have transformed the way we access information. They provide a cost-effective and convenient means of acquiring knowledge, offering the ability to access a vast library of resources at our fingertips. With platforms like Project Gutenberg, Open Library, and various digital libraries offered by educational institutions, we have access to an ever-expanding collection of books and manuals. Whether for educational, professional, or personal purposes, these digital resources serve as valuable tools for continuous learning and self-improvement. So why not take advantage of the vast world of Briggs And Stratton 18 Hp Engine Manual books and manuals for download and embark on your journey of knowledge?

FAQs About Briggs And Stratton 18 Hp Engine Manual Books

1. Where can I buy Briggs And Stratton 18 Hp Engine Manual books? Bookstores: Physical bookstores like Barnes & Noble, Waterstones, and independent local stores. Online Retailers: Amazon, Book Depository, and various online bookstores offer a wide range of books in physical and digital formats.
2. What are the different book formats available? Hardcover: Sturdy and durable, usually more expensive. Paperback: Cheaper, lighter, and more portable than hardcovers. E-books: Digital books available for e-readers like Kindle or software like Apple Books, Kindle, and Google Play Books.
3. How do I choose a Briggs And Stratton 18 Hp Engine Manual book to read? Genres: Consider the genre you enjoy (fiction, non-fiction, mystery, sci-fi, etc.). Recommendations: Ask friends, join book clubs, or explore online reviews and recommendations. Author: If you like a particular author, you might enjoy more of their work.
4. How do I take care of Briggs And Stratton 18 Hp Engine Manual books? Storage: Keep them away from direct sunlight and in a dry environment. Handling: Avoid folding pages, use bookmarks, and handle them with clean hands. Cleaning: Gently dust the covers and pages occasionally.
5. Can I borrow books without buying them? Public Libraries: Local libraries offer a wide range of books for borrowing. Book Swaps: Community book exchanges or online platforms where people exchange books.
6. How can I track my reading progress or manage my book collection? Book Tracking Apps: Goodreads, LibraryThing, and Book Catalogue are popular apps for tracking your reading progress and managing book collections. Spreadsheets: You can create your own spreadsheet to track books read, ratings, and other details.
7. What are Briggs And Stratton 18 Hp Engine Manual audiobooks, and where can I find them? Audiobooks: Audio recordings of books, perfect for listening while commuting or multitasking. Platforms: Audible, LibriVox, and Google

Play Books offer a wide selection of audiobooks.

8. How do I support authors or the book industry? Buy Books: Purchase books from authors or independent bookstores. Reviews: Leave reviews on platforms like Goodreads or Amazon. Promotion: Share your favorite books on social media or recommend them to friends.
9. Are there book clubs or reading communities I can join? Local Clubs: Check for local book clubs in libraries or community centers. Online Communities: Platforms like Goodreads have virtual book clubs and discussion groups.
10. Can I read Briggs And Stratton 18 Hp Engine Manual books for free? Public Domain Books: Many classic books are available for free as theyre in the public domain. Free E-books: Some websites offer free e-books legally, like Project Gutenberg or Open Library.

Find Briggs And Stratton 18 Hp Engine Manual :

audi a6 c6 2008 to 2010 workshop service repair manual

audi 1994 80 v6 workshop manual

audi a4 b5 avante manual

audi a6 2002 service manual

attention and brain function attention and brain function

audi a2 service manual english

audi a4 b7 service manual

attack of the chicken nugget man a california cst adventure

audi automobile 1909 1940 unternehmen marke

atv and light utility vehicle service manual

audels engineers and mechanics guide set

audi a5 manual 2013

audi ami navigation manual

attachment theory and psychoanalysis

audi a7 manual

Briggs And Stratton 18 Hp Engine Manual :

veterans service organizations vsos frequently asked - Apr 30 2022

web aug 22 2022 can be accessed from the internal revenue service irs website s veterans organizations page at irs gov charities non profits other non profits veterans organizations as well as from lrs publication 3386 tax guide for veterans organizations at irs gov pub irs pdf p3386 pdf

tax guide for veterans how to maximize your return zdnet - Mar 30 2022

web apr 12 2022 this guide can help as a veteran you can take advantage of specific benefits to maximize your return when you file your income taxes by identifying which types of pay and compensation are

tax exclusion for veterans education benefits - Sep 04 2022

web apr 20 2023 if you serve or served in the military and are receiving department of veterans affairs va education benefits the irs excludes this income from taxation publication 970 tax benefits for education the authoritative source for all education tax matters covers this tax exclusion you can learn more about veterans benefits in

veterans organizations internal revenue service - Feb 09 2023

web veterans organizations the internal revenue code section 501 c includes two subsections 501 c 19 and 501 c 23 which provide for tax exemption under section 501 a for organizations that benefit veterans of the united states armed forces internal revenue code section 7701 a 15 defines armed forces of the united states

j veterans organizations internal revenue service - Oct 05 2022

web veterans organizations occupy a special place in the world of exempt organizations not only are veterans organizations exempt from tax contributions to them may be deductible and they are permitted to set aside amounts that are used to pay insurance benefits to members this combination of tax exempt status deductibility of

information for veterans internal revenue service - Jul 14 2023

web feb 1 2023 we work with community and government partners to provide timely federal tax related information to veterans about tax credits and benefits free tax preparation financial education and asset building opportunities available to veterans

tax guide for veterans organizations internal revenue - Aug 15 2023

web this tax guide for veterans organizations is intended to help veterans organizations that are recognized as tax exempt under internal revenue code irc section 501 a or that are considering applying for recognition of tax exemption understand and

special tax considerations for veterans internal revenue service - Dec 07 2022

web disabled veterans may be eligible to claim a federal tax refund based on an increase in the veteran s percentage of disability from the department of veterans affairs which may include a retroactive determination or the combat disabled veteran applying for and being granted combat related special compensation after an award for concurrent

a tax guide for military members veterans their families - Jun 01 2022

web may 2 2023 irs members of the military tax information a list of nine irs documents focusing on federal income tax preparation for military members including those in combat zones irs filing extensions and tax return preparation assistance for military personnel stationed abroad if you are in the military stationed abroad or are in a combat zone

federal tax benefits for disabled veterans mymilitarybenefits - Jan 28 2022

web may 8 2023 federal tax benefits for disabled veterans updated on may 8th 2023 joe wallace if you are a disabled veteran irs gov says you may qualify for federal tax breaks depending on circumstances

tax resources and information for u s service members and veterans - Jun 13 2023

web nov 9 2022 tax tip 2022 172 november 9 2022 as the nation prepares to celebrate veterans day the irs reminds members of the military veterans and their families that the agency offers a variety tax resources specifically for them

taxes know a vet - Feb 26 2022

web tax guide for veterans turbo tax military edition united way silicon valley offers free tax assistance to local families and individuals veterans property tax exemption

employee retention credit eligibility checklist help - Dec 27 2021

web sep 14 2023 the employee retention credit erc or ertc is a complex tax credit for businesses and tax exempt organizations that kept paying employees during the covid 19 pandemic either when they were shut down due to a government order or when they had a significant decline in gross receipts during certain eligibility periods in 2020 and 2021

[tax filing tips for military service members and veterans](#) - Mar 10 2023

web sep 6 2023 tax filing tips for military service members and veterans fs 2020 03 february 2020 the internal revenue service is committed to helping military members veterans and their families meet their federal income tax filing obligations

veteran tax benefits the ultimate tax guide freshbooks - Aug 03 2022

web sep 3 2021 the federal government offers veterans tax benefits as do most states but what are these veteran s tax benefits we ve put together a guide to help you navigate the waters of filing your taxes as a veteran here s what we ll cover am i eligible what is active duty the tax benefits for veterans taxable benefits for veterans

tas tax tip resources for military personnel and their families - Nov 06 2022

web nov 9 2021 here s a list of some of the tax related resources you may find helpful tax information for members of the military military family tax benefits eligibility for military tax benefits information for veterans special tax considerations for veterans

tax information for members of the military internal revenue - Apr 11 2023

web jan 20 2023 tax information for members of the military english members of the u s armed forces have special tax

situations and benefits understand how that affects you and your taxes get general information about how to file and pay taxes including many free services by visiting the individuals page

newly revised irs publication explains tax benefits for members - Jan 08 2023

web feb 24 2020 ir 2020 40 february 24 2020 washington the internal revenue service has released its newly revised tax guide designed to help members of the military understand the many special tax benefits available to them under the law

in tax season how can veterans maximize their tax benefits - Jul 02 2022

web as a veteran you may be eligible for certain tax benefits under the tax code this year s filing deadline is april 18 here s what you need to know

publication 3 2022 armed forces tax guide internal - May 12 2023

web the combat injured veterans tax fairness act of 2016 gives certain veterans who received disability severance payments after january 17 1991 additional time to file claims for credit or refund to recover tax overpayments

siegerdenken wie du blockaden überwindest und immer deine - Mar 27 2023

web 2020 1 siegerdenken wie du blockaden überwindest und immer deine sportliche bestleistung bringst siegerdenken wie du blockaden überwindest und immer deine

siegerdenken wie du blockaden überwindest und imm pdf - Jul 31 2023

web oct 12 2023 siegerdenken wie du blockaden uberwindest und imm can be one of the options to accompany you next having other time it will not waste your time put up with

siegerdenken wie du blockaden überwindest und imm full pdf - Sep 20 2022

web siegerdenken wie du blockaden uberwindest und imm that you are looking for it will entirely squander the time however below once you visit this web page it will be as a

siegerdenken wie du blockaden überwindest und imm - Nov 10 2021

web siegerdenken wie du blockaden uberwindest und imm grübeln stoppen feb 28 2020 mit einfachen praktischen tricks die innere ruhe finden du hast über

siegerdenken wie du blockaden überwindest und imm pdf ftp - May 17 2022

web innere blockaden lösen wie sie in 10 schritten negative gedanken loswerden unnötiges grübeln stoppen und Ängste überwinden positives denken lernen und

siegerdenken wie du blockaden überwindest und imm pdf - Apr 15 2022

web enjoy now is siegerdenken wie du blockaden uberwindest und imm below siegerdenken wie du blockaden uberwindest und imm downloaded from

siyasi düşünceler tarihi dersi Çıkmış sorular - Dec 12 2021

web dönem sonu sınavına git tek ders sınavına git siyasi düşünceler tarihi dersine ait çıkmış sorular deneme sınavları ünite özetleri ve alıştırma soruları burada

siegerdenken wie du blockaden überwindest und imm full pdf - Apr 27 2023

web siegerdenken wie du blockaden überwindest und imm 3 3 taktiken um mit dem grübeln aufzuhören und entschlossen zu handeln dein potenzial entfesseln entdecke

siegerdenken wie du blockaden überwindest und imm 2023 - Oct 22 2022

web 4 siegerdenken wie du blockaden überwindest und imm 2023 05 03 combination induce toxic manifestations either through acute or chronic pathology in particular long

siegerdenken wie du blockaden überwindest und imm free pdf - Aug 20 2022

web siegerdenken wie du blockaden überwindest und imm pdf download free siegerdenken wie du blockaden überwindest und imm pdf book is the book you

siyasi düşünceler tarihi tar222u Çıkmış sorular - Jun 17 2022

web açık Öğretim fakültesi siyasi düşünceler tarihi tar222u çıkmış sınav sorularını test haline getirdik siyasi düşünceler tarihi tar222u vize ve final sınavlarından oluşan

siegerdenken wie du blockaden überwindest und imm pdf pdf - Jan 25 2023

web jun 1 2023 siegerdenken wie du blockaden überwindest und imm pdf is friendly in our digital library an online admission to it is set as public so you can download it

siegerdenken wie du blockaden überwindest und imm pdf copy - Jul 19 2022

web may 24 2023 siegerdenken wie du blockaden überwindest und imm pdf eventually you will unconditionally discover a further experience and execution by spending more

siegerdenken wie du blockaden überwindest und imm - Feb 23 2023

web wie du blockaden überwindest und imm by online you might not require more grow old to spend to go to the book instigation as well as search for them in some cases you

siegerdenken wie du blockaden überwindest und imm copy - May 29 2023

web jun 10 2023 siegerdenken wie du blockaden überwindest und imm anfangen statt aufschieben apr 13 2023 später morgen nächste woche wer kennt das nicht

siegerdenken wie du blockaden überwindest und imm - Dec 24 2022

web siegerdenken wie du blockaden überwindest und imm if you ally infatuation such a referred siegerdenken wie du blockaden überwindest und imm books that will allow

siegerdenken wie du blockaden überwindest und immer deine - Jun 29 2023

web siegerdenken wie du blockaden überwindest und immer deine siegerdenken wie du blockaden überwindest und immer deine siegerdenken buch von simon marshall

siegerdenken wie du blockaden überwindest und immer deine - Oct 02 2023

web siegerdenken wie du blockaden überwindest und immer deine sportliche bestleistung bringst marshall simon paterson lesley isbn 9783742304629 kostenloser

siegerdenken wie du blockaden überwindest und imm - Mar 15 2022

web may 9 2023 4724485 siegerdenken wie du blockaden überwindest und imm 2 23 downloaded from id blockchain idea gov vn on by guest woman a hot blooded

siegerdenken wie du blockaden überwindest und imm - Feb 11 2022

web siegerdenken wie du blockaden überwindest und imm downloaded from cdn writermag com by guest wendy warren cq press this encyclopedic work

20 siegener csd setzt zeichen für akzeptanz und demokratie - Jan 13 2022

web jul 28 2019 20 siegener csd setzt zeichen für akzeptanz und demokratie 28 07 2019 19 08 lesedauer 3 minuten kai osthoff der csd demonstrationszug zieht am

siegerdenken wie du blockaden überwindest und imm pdf - Nov 22 2022

web siegerdenken wie du blockaden überwindest und imm edc survival ratgeber jul 29 2023 eine einhundert prozentige sicherheit gibt es im leben nicht aber mithilfe der

siegerdenken wie du blockaden überwindest und immer deine - Sep 01 2023

web siegerdenken wie du blockaden überwindest und immer deine sportliche bestleistung bringst ebook marshall simon paterson lesley amazon de kindle shop kindle shop

tut soshanguve tut ac za apply 2024 - Jul 05 2023

web how many points are needed at tut for teaching how many points does teaching require is tut still open for 2024 applications tut soshanguve campus address tut soshanguve campus contact details tut soshanguve north campus tut soshanguve north campus courses tut soshanguve south campus tut soshanguve south campus address tut

visa application form vfs global - Feb 17 2022

web visa application form 1 family name as in passport 2 maiden name 3 for official use only date of application supporting documents valid passport financial means invitation means of transport other visa refused grantede first name s as in passport 4 date of birth year month day 5 id number optional 6

tut soshanguve south tutapply com - Oct 28 2022

web mar 24 2020 tshwane university of technology apply online tshwane university of technology application fee

apply for 2023 at tshwane university of technology careers - Dec 30 2022

web mar 3 2022 distance education application no faxed or e mailed applications for admission to be accepted application for admission forms should be couriered door to door to the tut distance education unit find application forms here how to track your application click here to track your application

tut school of nursing application form 2024 online how to apply - May 23 2022

web sa portal january 26 2023 tshwane university of technology tut school of nursing science application form 2024 online entry requirements and how to apply

tut soshanguve tutapply com - Jul 25 2022

web apr 20 2020 tutapply com online application 2023 2024 united states universities admission 2023 2024 united states nursing colleges admission 2023 2024 south africa universities admission 2023 2024 south africa nursing colleges admission 2023 2024 disclaimer privacy tut soshanguve admin april 20 2020 tut soshanguve tut

tut online applications 2024 apply to tshwane university of - Apr 02 2023

web may 3 2023 application for admission forms should be couriered door to door to the tut distance education unit find application forms here tut prospectus we recommend you download the tshwane university of technology tut prospectus for proper guidance click here to access the prospectus tut application status after

tshwane university of technology application form 2024 - Jan 19 2022

web application forms 2024 general application information for 2024 tut requirements nsc gaps your profile results format for the new nsc g and the minimum admission requirements for tut mathematics or mathematical literacy all learners are required to take one of the two subjects for nsc g purposes tut position

tut application form for teaching 2024 2025 tut ac za - Jun 23 2022

web visit tut online application form 2024 at tut ac za click on the apply now tab at the top right menu of the page enter your personal information and other required details in the block provided fill out the form completely

how to apply online at tut 2024 2025 finance education - Mar 01 2023

web prospective students may apply online at tut or complete an application for admission form 2024 and post it to tshwane university of technology private bag x680 pretoria 0001 download tshwane university of technology application forms 2024 2025 address for hand deliveries and applications in person

visa application form vfs global - Nov 16 2021

web children application must be submitted separately for each passport family name first name date of birth 1 2 3 37 certify that the above and the answers I have furnished on this form are true and correct to the best of my knowledge and belief

tut application form 2023 2024 2023 2024 safacts - Aug 26 2022

web if you cannot apply online at tut for 2023 2024 you can request a manual tut application 2022 form from the tut s contact centre on 0861102421 option 1 or by email to general tut ac za or you can download tut online application 2023 2024 form pdf on the website tut ac za and click on enrollment

how to apply online at tshwane university 2024 2025 tut - Jan 31 2023

web in this post we ll outline the general steps to apply at the tshwane university of technology including how to register on the student portal check admission requirements complete the application form upload supporting documents and pay the application fee

tut courses registration application prospectus 2022 2023 - Nov 28 2022

web if you want to apply to the tshwane university of technology tut to study in the next academic year you can apply online at ienabler tut ac za pls prodi41 gen gw1pkg gw1view application for january intake closes end of september each year

turkey visa application form 2023 2024 o3schools - Mar 21 2022

web jun 19 2023 for every turkey visa application there are some necessary requirements and important documents that must be in place these documents include valid nigerian passport valid for 90 days longer than the requested visa a duly filled application form passport size photos

tut online application 2024 apply now - Jun 04 2023

web when can i apply to tut 2024 applications at tut for 2023 open from 1 april 2023 and close on 23 september 2023 prospective applicants can only apply during the application period how much is tut application fee for 2024 the application fee for the tshwane university of technology is r240

application for residence accommodation tshwane university - May 03 2023

web saed accommodation residence life and catering residence applications application for residence accommodation first year students should indicate on the official tut admission application form whether or not they want to apply for residence accommodation

online application at tut soshanguve 2024 tut ac za - Oct 08 2023

web tut soshanguve online application 2024 closing date applications to the tshwane university of technology for study admission for the 2024 academic year will close on 30 september 2023 interested applicants cannot submit applications after the deadline read also tut online application opening date for 2024 2025

application forms at tut soshanguve pdf uniport edu - Dec 18 2021

web jul 6 2023 additionally useful you have remained in right site to start getting this info get the application forms at tut soshanguve connect that we pay for here and check out the link you could buy lead application forms at tut soshanguve or

get it as soon as feasible you could speedily download this application forms at tut soshanguve after getting
how to apply to tshwane university of technology careers - Sep 26 2022

web sep 22 2021 advertisement tshwane university of technology s tut applications for 2022 are open and will close on 30 september 2021 so apply now students may apply online or manually by completing an application for admission form and posting it to tut how to apply to tut click here to start the application process at tut

soshanguve tut online application students portal - Aug 06 2023

web all prospective applicants who are ready to apply for the soshanguve tut application and join one of the best universities in south africa must submit an application via online application system at tut via tut ac za online application 2024 portal before the closing date or deadline

application information tshwane university of technology - Sep 07 2023

web a fully completed application form and recently certified certification may not be not older than one year copies of your original identity document and national senior certificate and or highest academic results as well as the administration fee must reach tut before the specified closing dates

application forms at tut soshanguve pdf uniport edu - Apr 21 2022

web jun 10 2023 acquire the application forms at tut soshanguve member that we give here and check out the link you could buy lead application forms at tut soshanguve or get it as soon as feasible you could quickly download this application forms at tut soshanguve after getting deal so gone you require the books swiftly you can straight get it