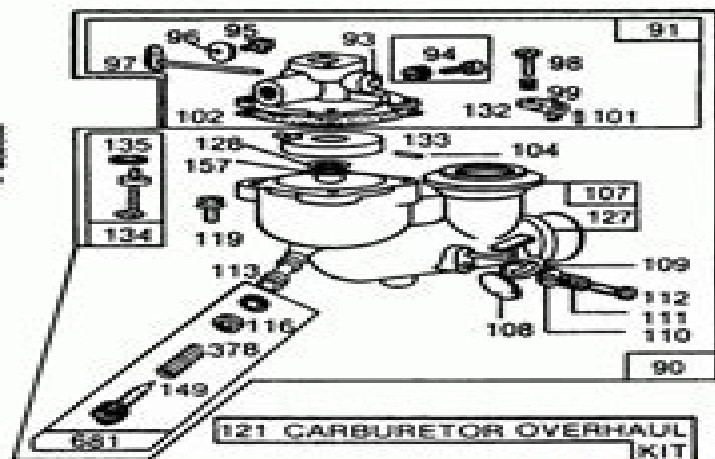
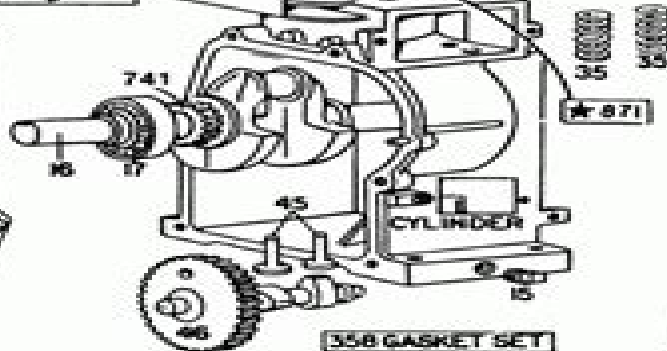
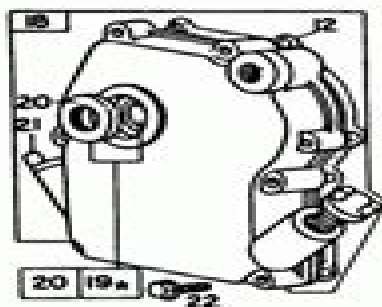
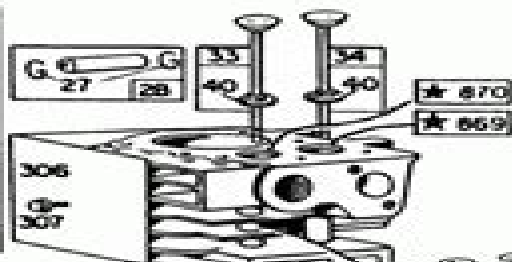
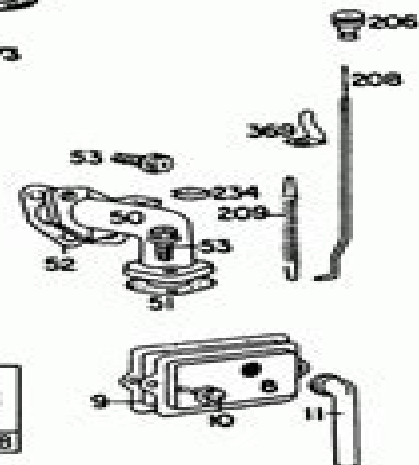
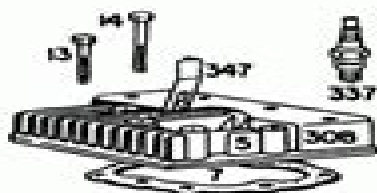
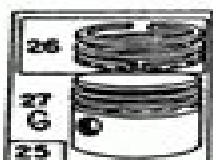
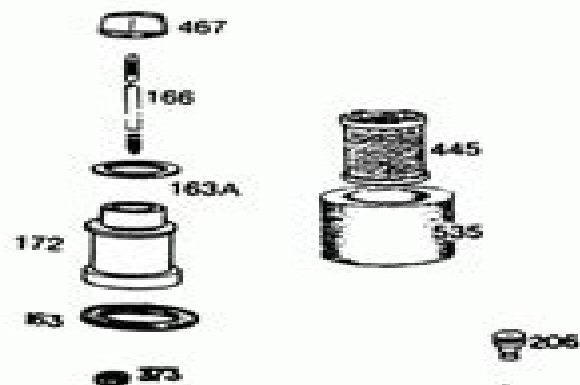


***REQUIRES SPECIAL TOOLS TO INSTALL.
SEE REPAIR INSTRUCTION MANUAL.**



Briggs And Stratton 12hp Engine Manual

Sears, Roebuck and Company



Briggs And Stratton 12hp Engine Manual:

The 1945 Sears Christmas Book Sears, Roebuck and Co.,2021-10-12 This facsimile of the Sears Roebuck and Co s 1945 Christmas catalog offers a nostalgic look back at consumer goods of the era from clothing to furniture toys and much more Includes the poem Christmas Peace to commemorate the end of the war **Catalog of Sears, Roebuck and Company**
Sears, Roebuck and Company,1975 *Farm, Lawn and Garden Catalog* ,1972 **Small AC Generator Service Manual**
,1986 [Power Farming in Australia and New Zealand Technical Manual](#) ,1989 *Farm Equipment Red Book* ,1953
[Popular Mechanics](#) ,1971-03 Popular Mechanics inspires instructs and influences readers to help them master the modern world Whether it s practical DIY home improvement tips gadgets and digital technology information on the newest cars or the latest breakthroughs in science PM is the ultimate guide to our high tech lifestyle **Catalog** Sears, Roebuck and Company,1946 **Tractor Field Book** ,1954 **Official Guide, Tractors and Farm Equipment** ,1981

Fuel your quest for knowledge with is thought-provoking masterpiece, Explore **Briggs And Stratton 12hp Engine Manual** . This educational ebook, conveniently sized in PDF (*), is a gateway to personal growth and intellectual stimulation. Immerse yourself in the enriching content curated to cater to every eager mind. Download now and embark on a learning journey that promises to expand your horizons. .

https://stats.tinkerine.com/results/scholarship/Download_PDFS/Bsa_Starfire_Service_Manual.pdf

Table of Contents Briggs And Stratton 12hp Engine Manual

1. Understanding the eBook Briggs And Stratton 12hp Engine Manual
 - The Rise of Digital Reading Briggs And Stratton 12hp Engine Manual
 - Advantages of eBooks Over Traditional Books
2. Identifying Briggs And Stratton 12hp Engine Manual
 - Exploring Different Genres
 - Considering Fiction vs. Non-Fiction
 - Determining Your Reading Goals
3. Choosing the Right eBook Platform
 - Popular eBook Platforms
 - Features to Look for in an Briggs And Stratton 12hp Engine Manual
 - User-Friendly Interface
4. Exploring eBook Recommendations from Briggs And Stratton 12hp Engine Manual
 - Personalized Recommendations
 - Briggs And Stratton 12hp Engine Manual User Reviews and Ratings
 - Briggs And Stratton 12hp Engine Manual and Bestseller Lists
5. Accessing Briggs And Stratton 12hp Engine Manual Free and Paid eBooks
 - Briggs And Stratton 12hp Engine Manual Public Domain eBooks
 - Briggs And Stratton 12hp Engine Manual eBook Subscription Services
 - Briggs And Stratton 12hp Engine Manual Budget-Friendly Options

6. Navigating Briggs And Stratton 12hp Engine Manual eBook Formats
 - ePub, PDF, MOBI, and More
 - Briggs And Stratton 12hp Engine Manual Compatibility with Devices
 - Briggs And Stratton 12hp Engine Manual Enhanced eBook Features
7. Enhancing Your Reading Experience
 - Adjustable Fonts and Text Sizes of Briggs And Stratton 12hp Engine Manual
 - Highlighting and Note-Taking Briggs And Stratton 12hp Engine Manual
 - Interactive Elements Briggs And Stratton 12hp Engine Manual
8. Staying Engaged with Briggs And Stratton 12hp Engine Manual
 - Joining Online Reading Communities
 - Participating in Virtual Book Clubs
 - Following Authors and Publishers Briggs And Stratton 12hp Engine Manual
9. Balancing eBooks and Physical Books Briggs And Stratton 12hp Engine Manual
 - Benefits of a Digital Library
 - Creating a Diverse Reading Collection Briggs And Stratton 12hp Engine Manual
10. Overcoming Reading Challenges
 - Dealing with Digital Eye Strain
 - Minimizing Distractions
 - Managing Screen Time
11. Cultivating a Reading Routine Briggs And Stratton 12hp Engine Manual
 - Setting Reading Goals Briggs And Stratton 12hp Engine Manual
 - Carving Out Dedicated Reading Time
12. Sourcing Reliable Information of Briggs And Stratton 12hp Engine Manual
 - Fact-Checking eBook Content of Briggs And Stratton 12hp Engine Manual
 - Distinguishing Credible Sources
13. Promoting Lifelong Learning
 - Utilizing eBooks for Skill Development
 - Exploring Educational eBooks
14. Embracing eBook Trends
 - Integration of Multimedia Elements

- Interactive and Gamified eBooks

Briggs And Stratton 12hp Engine Manual Introduction

In this digital age, the convenience of accessing information at our fingertips has become a necessity. Whether its research papers, eBooks, or user manuals, PDF files have become the preferred format for sharing and reading documents. However, the cost associated with purchasing PDF files can sometimes be a barrier for many individuals and organizations. Thankfully, there are numerous websites and platforms that allow users to download free PDF files legally. In this article, we will explore some of the best platforms to download free PDFs. One of the most popular platforms to download free PDF files is Project Gutenberg. This online library offers over 60,000 free eBooks that are in the public domain. From classic literature to historical documents, Project Gutenberg provides a wide range of PDF files that can be downloaded and enjoyed on various devices. The website is user-friendly and allows users to search for specific titles or browse through different categories. Another reliable platform for downloading Briggs And Stratton 12hp Engine Manual free PDF files is Open Library. With its vast collection of over 1 million eBooks, Open Library has something for every reader. The website offers a seamless experience by providing options to borrow or download PDF files. Users simply need to create a free account to access this treasure trove of knowledge. Open Library also allows users to contribute by uploading and sharing their own PDF files, making it a collaborative platform for book enthusiasts. For those interested in academic resources, there are websites dedicated to providing free PDFs of research papers and scientific articles. One such website is Academia.edu, which allows researchers and scholars to share their work with a global audience. Users can download PDF files of research papers, theses, and dissertations covering a wide range of subjects. Academia.edu also provides a platform for discussions and networking within the academic community. When it comes to downloading Briggs And Stratton 12hp Engine Manual free PDF files of magazines, brochures, and catalogs, Issuu is a popular choice. This digital publishing platform hosts a vast collection of publications from around the world. Users can search for specific titles or explore various categories and genres. Issuu offers a seamless reading experience with its user-friendly interface and allows users to download PDF files for offline reading. Apart from dedicated platforms, search engines also play a crucial role in finding free PDF files. Google, for instance, has an advanced search feature that allows users to filter results by file type. By specifying the file type as "PDF," users can find websites that offer free PDF downloads on a specific topic. While downloading Briggs And Stratton 12hp Engine Manual free PDF files is convenient, its important to note that copyright laws must be respected. Always ensure that the PDF files you download are legally available for free. Many authors and publishers voluntarily provide free PDF versions of their work, but its essential to be cautious and verify the authenticity of the source before downloading Briggs And Stratton 12hp Engine Manual. In conclusion, the internet offers numerous platforms and websites that allow users to

download free PDF files legally. Whether its classic literature, research papers, or magazines, there is something for everyone. The platforms mentioned in this article, such as Project Gutenberg, Open Library, Academia.edu, and Issuu, provide access to a vast collection of PDF files. However, users should always be cautious and verify the legality of the source before downloading Briggs And Stratton 12hp Engine Manual any PDF files. With these platforms, the world of PDF downloads is just a click away.

FAQs About Briggs And Stratton 12hp Engine Manual Books

1. Where can I buy Briggs And Stratton 12hp Engine Manual books? Bookstores: Physical bookstores like Barnes & Noble, Waterstones, and independent local stores. Online Retailers: Amazon, Book Depository, and various online bookstores offer a wide range of books in physical and digital formats.
2. What are the different book formats available? Hardcover: Sturdy and durable, usually more expensive. Paperback: Cheaper, lighter, and more portable than hardcovers. E-books: Digital books available for e-readers like Kindle or software like Apple Books, Kindle, and Google Play Books.
3. How do I choose a Briggs And Stratton 12hp Engine Manual book to read? Genres: Consider the genre you enjoy (fiction, non-fiction, mystery, sci-fi, etc.). Recommendations: Ask friends, join book clubs, or explore online reviews and recommendations. Author: If you like a particular author, you might enjoy more of their work.
4. How do I take care of Briggs And Stratton 12hp Engine Manual books? Storage: Keep them away from direct sunlight and in a dry environment. Handling: Avoid folding pages, use bookmarks, and handle them with clean hands. Cleaning: Gently dust the covers and pages occasionally.
5. Can I borrow books without buying them? Public Libraries: Local libraries offer a wide range of books for borrowing. Book Swaps: Community book exchanges or online platforms where people exchange books.
6. How can I track my reading progress or manage my book collection? Book Tracking Apps: Goodreads, LibraryThing, and Book Catalogue are popular apps for tracking your reading progress and managing book collections. Spreadsheets: You can create your own spreadsheet to track books read, ratings, and other details.
7. What are Briggs And Stratton 12hp Engine Manual audiobooks, and where can I find them? Audiobooks: Audio recordings of books, perfect for listening while commuting or multitasking. Platforms: Audible, LibriVox, and Google Play Books offer a wide selection of audiobooks.
8. How do I support authors or the book industry? Buy Books: Purchase books from authors or independent bookstores.

Reviews: Leave reviews on platforms like Goodreads or Amazon. Promotion: Share your favorite books on social media or recommend them to friends.

9. Are there book clubs or reading communities I can join? Local Clubs: Check for local book clubs in libraries or community centers. Online Communities: Platforms like Goodreads have virtual book clubs and discussion groups.
10. Can I read Briggs And Stratton 12hp Engine Manual books for free? Public Domain Books: Many classic books are available for free as they're in the public domain. Free E-books: Some websites offer free e-books legally, like Project Gutenberg or Open Library.

Find Briggs And Stratton 12hp Engine Manual :

bsa starfire service manual

bryant plus 80 furnace installation manual

brooklyn spaces 50 hubs of culture and creativity

~~brother exedra e40 manual~~

brother hs3100 operating manual

bsa m20 parts list

~~broset violence checklist~~

bronze bow novel study guide

brush writing calligraphy techniques for beginners

brute 675 manual

broward continuing education schools

brutal master 1 3 box set brutal master gay bdsm

brother hl 3450cn color laser printer service repair manual

bryant furnace parts manual

~~brush bandit model 100 service manual~~

Briggs And Stratton 12hp Engine Manual :

raag bhimpalasi bandish classical raag video shorts youtube - Sep 20 2022

web raag bhimpalasi bandish classical raag video shorts indianclassicalmusic newvideo music afternoonraag taal sangeet

bandish bhimpalasi re ni saa ma ma pa ga ma swarganga - Dec 24 2022

web raag bhimpalasi taal teen taal tempo drut bandish type sargam geet composed by shankar shripad bodas lyrics by gharana tradition contributed by ranjani ramachandran bandish audio add bandish audio record bandish audio bandish meaning add bandish meaning please login to view this information

[raag bhimpalasi bandish raagbhimpalasi bandish youtube](#) - Jul 31 2023

web apr 4 2023 about raag bhimpalasi bandish raagbhimpalasi bandish raagbhimpalasi bandish classicalmusic your queries facebook com profile php id 100089961567657 m

bhimpalasi darbar arts culture and heritage trust - Jan 25 2023

web pay 9 95 month an oft heard compound raga churned out of bhim and palasi this has overshadowed both its janak parent ragas mythically krishna the cowherd boy played this sweet melody on his flute to give a return call to all his grazing cows and cowherd friends as such this raga exuding peace and assurance is associated with

[indian ragas introduction to raag bhimpalasi riyaz](#) - May 17 2022

web jul 15 2018 indian ragas introduction to raag bihag riyaz experience the magic of raag bhairavi an introductory course riyaz bhimpalasi is an audhav sampurna consists of 5 notes in arohana and 7 notes in avarohana raga from the hindustani music tradition it is one of the most used ragas used in popular music today

[raag bhimpalasi bandish ja ja re apne mandirva youtube](#) - May 29 2023

web nov 30 2019 lyrics jaa jaa re apne mandirva sun paave mori saas nanadiya sun ho sadarang tumko chahat hai kaa tum hamko thagan diya the copyrights to this video belong to sadhana raag hindustani

bhimpalasi raag bandish 16 matra allap taan music notes in - Apr 15 2022

web mar 13 2023 879 5 5 2 votes bhimpalasi raag is believed to have originated from kaphi thaat in this raag ga k ni k are used as komal swar and all the swars are used as shudha re dha are not used in aaroh and all the seven swars are used in the avaroh its jati is audav sampurn

biraj mein dhoom bhimpalasi bandish piano harmonium - Oct 22 2022

web dec 15 2020 lyrics biraj mein dhoom machaayo shyaam kaise main sakhi jaaun apne dhaam sab sakhiyan mil hori khelat hai akhiyan daarat gulaal harmonium piano notes biraj mein dhoom ni dha pa ga ma pa pa pa machaayo shyaam ga sa ga ma ga re sa biraj mein dhoom ni dha pa ga ma pa pa pa machaayo shyaam ga sa ga ma ga re

raga bhimpalasi 1001 bandishes of the great maestros ep youtube - Mar 27 2023

web sep 4 2020 thanks for watching visit our website satrangeeofficial comfacebook bit ly fbsatrangeeetwitter twitter com satrangeecinstag

compositions bandish in raag bhimpalasi raag hindustani - Oct 02 2023

web compositions in raag bhimpalasi raag bhimpalasi is poignant and filled with longing it is traditionally performed during

the late afternoon hours upto sunset this raga belongs to the kafi thaat its vadi most important note is ma

raga bhimpalasi tutorial by dhara bakshi youtube - Feb 23 2023

web sep 4 2020 in this video you will learn about raga bhimpalasi including its aaroh avaroh pakad swar vistar and madhyalaya bandish film songs based on raga bhimpalasi

[bhimpalasi wikipedia](#) - Sep 01 2023

web bhimpalasi or bheempalasi also known as bhimpalasi or bheempalasi is a hindustani classical raga raga bhimpalasi belongs to the kafi thaat 1 theory aarohana Ṇ s g m p Ṇ Ś a 2 3 1 avaroha Ś Ṇ d p m g r s b 2 3 1

raag bhimpalasi a beginner guide geetak com - Jun 17 2022

web jul 5 2020 brief description bhimpalasi raag formed by combining two different raag that is bhim and palasi in this raag swara combinations like sa ma and pa ga are used with gamak frequently bhimpalasi raag is one of the popular raag of indian classical music and played in all three octaves

bhimpalasi how to play the most popular afternoon raga - Jul 19 2022

web bhimpalasi is a popular late afternoon raga from northern india this webpage was created to help you learn bhimpalasi the materials on this page are applicable whether you are a bansuri player or a vocalist and can be used on any type of instrument that can produce notes of the chromatic scale i e most instruments

bhimpalasi inc rajan parrikar music archive - Aug 20 2022

web aug 6 2001 home vault vijaya parrikar library nibbles bhimpalasi inc by rajan p parrikar first published on sawf on august 6 2001 rajan p parrikar rocky mountain national park colorado 1990 namashkar the ati madhurand ati priyaraga bhimpalasi has the penetrating power to infect the human mind and control it for days and weeks on

[raga bhimpalasi vilambit and drut bandish jiosaavn](#) - Feb 11 2022

web listen to raga bhimpalasi vilambit and drut bandish on the hindi music album siddhi volume 4 by pandit bhimsen joshi only on jiosaavn play online or download to listen offline free in hd audio only on jiosaavn

[raga bhimpalasi bandish song and lyrics by kumar](#) - Nov 22 2022

web listen to raga bhimpalasi bandish on spotify kumar gandharva song 2007

raga bhimpalasi vilambit and drut bandish música y letra - Mar 15 2022

web escucha raga bhimpalasi vilambit and drut bandish en spotify bhimsen joshi canción 2 000

raag bhimpalasi bhajman nisdin bandish indian classical - Jun 29 2023

web jul 11 2020 470 subscribers 5 5k views 3 years ago mumbai anaya joshi performing hindustani classical raag bhimpalasi bandish in teen taal it is one of the most popular indian classical raags raag

[bandish in raga bhimpalasi baithak foundation](#) - Apr 27 2023

web bandish in raga bhimpalasi 1 [खेलन लगे श्याम सुन्दर ताल अद्धा लाया मध्या](#) [this composition has been contributed by ravikunj panchal](#)

[extremely interesting speech topics that are meant](#) - Nov 15 2022

web oct 23 2023 activity 1 speech fluency the purpose of this exercise is for students to practice speaking clearly and fluently to begin the activity pair students together and

talks to watch with kids ted talks - Dec 04 2021

how to help your child write a speech without doing it for them - Feb 06 2022

[sex education what is rshe and can parents access curriculum](#) - Oct 02 2021

[17 ted talks for kids to inspire little minds to do big](#) - Nov 03 2021

fun speech topics for kids of all ages write out loud com - Oct 14 2022

web feb 10 2023 to make a good speech for school choose a theme or topic to focus your speech on so it s easier to write when you re writing your speech stick with simple

who is mike johnson what to know about the gop - Jun 29 2021

[100 persuasive speech topics for kids lovetoknow](#) - Aug 24 2023

web apr 10 2019 get students started with motivational speech topics for kids that are uplifting and less controversial beginning writers can select simple kids speech topics

simple speech topics for kids lovetoknow - Jan 17 2023

web speech topics for kids miscellaneous english speech topics tips to prepare and present a good speech explore multiple english speech topics and go through

[130 awesome speech topics for kids my speech class](#) - Sep 25 2023

130 awesome speech topics for kids kids always do best when they are interested every child has different interests therein lies the challenge selecting awesome speech topics for kids skip to content my speech class public speaking tips speech topics menu menu topic persuasive informative see more

how to make a good speech for school wikihow - Apr 08 2022

web oct 10 2023 schools for children of military members achieve results rarely seen in public education by sarah mervosh
sarah mervosh reported from fort moore ga an

who runs the best u s schools it may be the defense - Jul 31 2021

31 speech topics for year 5 twinkl blog twinkl - May 21 2023

web using storybooks to teach your child language skills for elementary school children 101 conversation topics for kids
balancing screen time helping children express

speech topics in english for students and children - Aug 12 2022

web aug 15 2022 delivering the speech 4 tips for parents 1 encourage your child to focus on communicating their idea to
their audience if they focus on sharing their ideas rather

public speaking for kids 30 topic ideas for 30 days - Jun 22 2023

web august 29 2023 develop exceptional public speaking skills using our speech topics for year 5 set to help children develop
a range of skills including self confidence

speech topics for kids - Apr 20 2023

web fun speech topics for kids of all ages fun speech topics a light hearted list of 60 giggle chortle and smile ideas for
humorous speeches suitable for kids of all ages probably

impromptu speech activities for elementary students thoughtco - May 09 2022

web oct 23 2023 timothy courtney says the abuse started when he was in year 3 at beaumaris primary school he tells a state
inquiry he hopes sharing his story will help

speech topics for kids byju s - Jul 11 2022

web jul 27 2022 using rhetoric to your to grab your audience s attention another effective opening a child can use to open
their speech is to pose a rhetorical question to their

101 incredible speech topics for kids speaking schools - Jul 23 2023

web 16 february 2023 are you looking for some incredible speech topics for kids well you ve come to the right place in this
blog post we ll give you 101 amazing ideas for speech

speech topics for children 8 themed lists - Mar 19 2023

web sep 19 2018 kids motivational speech topics by gabrielle applebury lmft published september 19 2018 blend images
andersen ross brand x pictures via getty images

how to start a speech for kids ssa blog speaking schools - Jan 05 2022

101 conversation topics for kids myhealth alberta ca - Feb 18 2023

web 2 list of 100 speech topics for students and children 2 1 list of persuasive speech topics 2 2 list of persuasive speech topics on environment 2 3 speech topics

kids motivational speech topics lovetoknow - Sep 13 2022

web feb 16 2023 list of 100 effective speech topics for students children we as a team undergo thorough research about the various kinds of speech topics for your sake of

public speaking tips for kids planning with kids - Dec 16 2022

web public speaking topics for kids here are a few topics that your child can choose from for practicing the art of public speaking topics for kindergarteners who am i me and my

inquiry into child sex abuse at victorian state primary schools - Sep 01 2021

teaching public speaking to kids public speaking topics for - Jun 10 2022

web oct 24 2023 it is mandatory for rshe to be taught in all schools we expect all schools to teach the full rshe curriculum to secondary age pupils and relationships and health

100 english speech topics for students and children - Mar 07 2022

web 1 day ago 0 32 louisiana republican rep mike johnson a deputy whip and constitutional lawyer known for his fiery exchanges on the house judiciary committee is the fourth

inseguendo degas ed 2022 amazon co uk books - Aug 24 2023

web buy inseguendo degas ed 2022 by 9788867451647 from amazon uk s books shop free delivery on eligible orders

inseguendo degas italien eva montanari - Oct 14 2022

web abebooks com inseguendo degas italien 9788895799384 by eva montanari and a great selection of similar new used and collectible books available now at great prices

inseguendo degas by eva montanari goodreads - Apr 20 2023

web oct 28 2014 cosa succede se una giovane ballerina scambia la sua borsa con quella di un celebre pittore in una corsa contro il tempo inseguendo degas ci porta in un viaggio fantastico tra colori personaggi e sensazioni dell impressionismo un avventura speciale a parigi età di lettura da 6 anni

inseguendo degas pdf apidev sharkexperience - Feb 06 2022

web inseguendo degas ballando con sofia inseguendo degas eva montanari degassing also known as degasification is the removal of dissolved gases from liquids especially water or

inseguendo degas italien paperback 1 oct 2010 - Nov 15 2022

web buy inseguendo degas italien by eva montanari isbn 9788895799384 from amazon s book store everyday low prices and free delivery on eligible orders

[inseguendo degas italien paperback 1 october 2010 amazon in](#) - Apr 08 2022

web amazon in buy inseguendo degas italien book online at best prices in india on amazon in read inseguendo degas italien book reviews author details and more at amazon in free delivery on qualified orders

inseguendo degas italien amazon com - Aug 12 2022

web oct 1 2010 31 ratings see all formats and editions hardcover 38 21 5 new from 18 72 paperback 37 46 1 used from 63 89 2 new from 35 99 language french publisher

[inseguendo degas montanari eva amazon co uk books](#) - May 21 2023

web buy inseguendo degas by 9788867450473 from amazon uk s books shop free delivery on eligible orders

inseguendo degas 2023 pivotid uvu - Dec 04 2021

web pages of inseguendo degas a mesmerizing literary creation penned by a celebrated wordsmith readers set about an enlightening odyssey unraveling the intricate significance of language and its enduring effect on our lives

ballando con sofia inseguendo degas eva montanari - Jun 10 2022

web libri d arte per bambini illustrazioni d arte per bambini inseguendo degas

tarifeler İgdaŞ - Nov 03 2021

web tarifeler tarifeler abone bağlantı bedeli dağıtım şebekesinin abone iç tesisatına bağlantısı için gereken proje işçilik malzeme kontrol ve onay harcamaları ile sayaç bedeli toplamının abone başına düşen payını ifade eden sabit bedeldir bu bedel bir defaya mahsus olmak üzere tahsil edilir ve servis hattının

inseguendo degas by montanari eva book condition very good - Sep 13 2022

web oct 11 2023 find many great new used options and get the best deals for inseguendo degas by montanari eva book condition very good at the best online prices at ebay free delivery for many products

[libri gratis inseguendo degas text](#) - May 09 2022

web ultimi libri mondadori inseguendo degas libri gratis da scaricare inseguendo degas ricerca libri inseguendo degas inseguendo degas schrift

loading interface goodreads - Mar 07 2022

web discover and share books you love on goodreads

inseguendo degas italien amazon com tr - Mar 19 2023

web arama yapmak istediğiniz kategoriye seçin

[inseguendo degas eva montanari libro kite ibs](#) - Sep 25 2023

web cosa succede se una giovane ballerina scambia la sua borsa con quella di un celebre pittore in una corsa contro il tempo inseguendo degas ci porta in un viaggio fantastico tra colori personaggi e sensazioni dell'impressionismo un'avventura speciale a Parigi età di lettura da 6 anni

[inseguendo degas montanari eva amazon com au books](#) - Jan 17 2023

web select the department you want to search in

inseguendo degas italien eva montanari - Dec 16 2022

web hello sign in account lists returns orders cart

montanari eva inseguendo deg amazon com tr - Feb 18 2023

web arama yapmak istediğiniz kategoriye seçin

[edgar degas in eserleri ve hayatı leblebitozu](#) - Jul 11 2022

web feb 22 2017 edgar de gas daha sonra kendisi tarafından degas olarak birleştirilmiştir 19 temmuz 1834 te paris te varlıklı bir ailenin beş çocuğunun en büyüğü olarak dünyaya gelir henüz 13 yaşındayken çok sevdiği annesinin ölümü onu derinden etkiler hukuk fakültesine yazılsa da devam etmez banker olan babası ise tiyatro ve müzikle ilgilenen

inseguendo degas worldcat org - Jul 23 2023

web worldcat is the world s largest library catalog helping you find library materials online

[le lettere di viola inseguendo degas youtube](#) - Jun 22 2023

web di eva montanari kite edizioni

[ilustração estilo livro inseguendo degas youtube](#) - Jan 05 2022

web 1 48k subscribers 513 views 3 months ago nesse vídeo eu faço comentários sobre a história e sobre as ilustrações da autora ilustradora italiana eva montanari cut the cord and save spend less