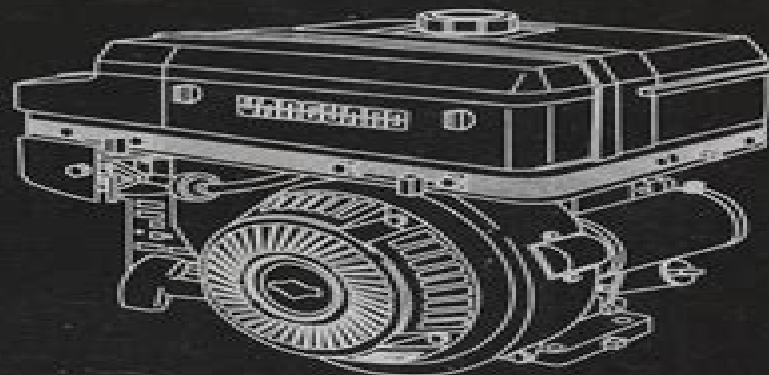
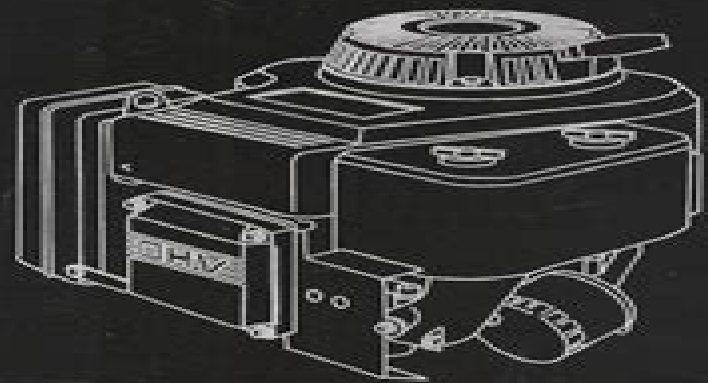
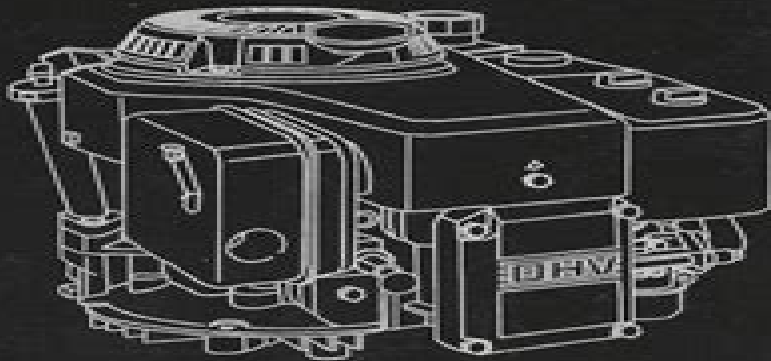




**VANGUARD**

# ***Repair Manual***

***For Single Cylinder OHV Engines***



# Briggs And Stratton Model 287707 Manual

**Anthony S. Fauci**



**Briggs And Stratton Model 287707 Manual:**

Briggs and Stratton Service and Repair Manual ,1977      *Repair Instructions* Briggs and Stratton Corp,1973      Service Manual, Engine, Fuel & Electrical Systems (Briggs & Stratton). International Harvester Company,1973      *Briggs & Stratton repair instructions IV, original service parts* ,1973      **Small Tractor Manual** ,1965      **Massey Ferguson Shop Manual Models MF230 MF 235 MF240 +** Penton Staff,2000-05-24 Gas Models MF230 MF235 MF245 Diesel Models MF230 MF235 MF240 MF245 MF250      **The Myers-Briggs Type Indicator** Isabel Briggs Myers,Katharine C. Briggs,1977 Designed to implement Jung s theory of type the indicator aims to ascertain people s basic preferences in regard to perception and judgement      **Massey Ferguson Shop Manual Model MF285** Penton Staff,2000-05-24 Models MF285      **The Myers-Briggs Type Indicator** Isabel Briggs Myers,1977      Wurlitzer Model 3000 Series of 1966 A. M. C. Corporation,1983-01-01

Ignite the flame of optimism with its motivational masterpiece, **Briggs And Stratton Model 287707 Manual** . In a downloadable PDF format ( \*), this ebook is a beacon of encouragement. Download now and let the words propel you towards a brighter, more motivated tomorrow.

[https://stats.tinkerine.com/files/detail/HomePages/Alchemy\\_And\\_Meggy\\_Swann.pdf](https://stats.tinkerine.com/files/detail/HomePages/Alchemy_And_Meggy_Swann.pdf)

## **Table of Contents Briggs And Stratton Model 287707 Manual**

1. Understanding the eBook Briggs And Stratton Model 287707 Manual
  - The Rise of Digital Reading Briggs And Stratton Model 287707 Manual
  - Advantages of eBooks Over Traditional Books
2. Identifying Briggs And Stratton Model 287707 Manual
  - Exploring Different Genres
  - Considering Fiction vs. Non-Fiction
  - Determining Your Reading Goals
3. Choosing the Right eBook Platform
  - Popular eBook Platforms
  - Features to Look for in an Briggs And Stratton Model 287707 Manual
  - User-Friendly Interface
4. Exploring eBook Recommendations from Briggs And Stratton Model 287707 Manual
  - Personalized Recommendations
  - Briggs And Stratton Model 287707 Manual User Reviews and Ratings
  - Briggs And Stratton Model 287707 Manual and Bestseller Lists
5. Accessing Briggs And Stratton Model 287707 Manual Free and Paid eBooks
  - Briggs And Stratton Model 287707 Manual Public Domain eBooks
  - Briggs And Stratton Model 287707 Manual eBook Subscription Services
  - Briggs And Stratton Model 287707 Manual Budget-Friendly Options
6. Navigating Briggs And Stratton Model 287707 Manual eBook Formats

- ePub, PDF, MOBI, and More
  - Briggs And Stratton Model 287707 Manual Compatibility with Devices
  - Briggs And Stratton Model 287707 Manual Enhanced eBook Features
7. Enhancing Your Reading Experience
    - Adjustable Fonts and Text Sizes of Briggs And Stratton Model 287707 Manual
    - Highlighting and Note-Taking Briggs And Stratton Model 287707 Manual
    - Interactive Elements Briggs And Stratton Model 287707 Manual
  8. Staying Engaged with Briggs And Stratton Model 287707 Manual
    - Joining Online Reading Communities
    - Participating in Virtual Book Clubs
    - Following Authors and Publishers Briggs And Stratton Model 287707 Manual
  9. Balancing eBooks and Physical Books Briggs And Stratton Model 287707 Manual
    - Benefits of a Digital Library
    - Creating a Diverse Reading Collection Briggs And Stratton Model 287707 Manual
  10. Overcoming Reading Challenges
    - Dealing with Digital Eye Strain
    - Minimizing Distractions
    - Managing Screen Time
  11. Cultivating a Reading Routine Briggs And Stratton Model 287707 Manual
    - Setting Reading Goals Briggs And Stratton Model 287707 Manual
    - Carving Out Dedicated Reading Time
  12. Sourcing Reliable Information of Briggs And Stratton Model 287707 Manual
    - Fact-Checking eBook Content of Briggs And Stratton Model 287707 Manual
    - Distinguishing Credible Sources
  13. Promoting Lifelong Learning
    - Utilizing eBooks for Skill Development
    - Exploring Educational eBooks
  14. Embracing eBook Trends
    - Integration of Multimedia Elements
    - Interactive and Gamified eBooks

## **Briggs And Stratton Model 287707 Manual Introduction**

Briggs And Stratton Model 287707 Manual Offers over 60,000 free eBooks, including many classics that are in the public domain. Open Library: Provides access to over 1 million free eBooks, including classic literature and contemporary works. Briggs And Stratton Model 287707 Manual Offers a vast collection of books, some of which are available for free as PDF downloads, particularly older books in the public domain. Briggs And Stratton Model 287707 Manual : This website hosts a vast collection of scientific articles, books, and textbooks. While it operates in a legal gray area due to copyright issues, its a popular resource for finding various publications. Internet Archive for Briggs And Stratton Model 287707 Manual : Has an extensive collection of digital content, including books, articles, videos, and more. It has a massive library of free downloadable books. Free-eBooks Briggs And Stratton Model 287707 Manual Offers a diverse range of free eBooks across various genres. Briggs And Stratton Model 287707 Manual Focuses mainly on educational books, textbooks, and business books. It offers free PDF downloads for educational purposes. Briggs And Stratton Model 287707 Manual Provides a large selection of free eBooks in different genres, which are available for download in various formats, including PDF. Finding specific Briggs And Stratton Model 287707 Manual, especially related to Briggs And Stratton Model 287707 Manual, might be challenging as theyre often artistic creations rather than practical blueprints. However, you can explore the following steps to search for or create your own Online Searches: Look for websites, forums, or blogs dedicated to Briggs And Stratton Model 287707 Manual, Sometimes enthusiasts share their designs or concepts in PDF format. Books and Magazines Some Briggs And Stratton Model 287707 Manual books or magazines might include. Look for these in online stores or libraries. Remember that while Briggs And Stratton Model 287707 Manual, sharing copyrighted material without permission is not legal. Always ensure youre either creating your own or obtaining them from legitimate sources that allow sharing and downloading. Library Check if your local library offers eBook lending services. Many libraries have digital catalogs where you can borrow Briggs And Stratton Model 287707 Manual eBooks for free, including popular titles. Online Retailers: Websites like Amazon, Google Books, or Apple Books often sell eBooks. Sometimes, authors or publishers offer promotions or free periods for certain books. Authors Website Occasionally, authors provide excerpts or short stories for free on their websites. While this might not be the Briggs And Stratton Model 287707 Manual full book , it can give you a taste of the authors writing style. Subscription Services Platforms like Kindle Unlimited or Scribd offer subscription-based access to a wide range of Briggs And Stratton Model 287707 Manual eBooks, including some popular titles.

## **FAQs About Briggs And Stratton Model 287707 Manual Books**

1. Where can I buy Briggs And Stratton Model 287707 Manual books? Bookstores: Physical bookstores like Barnes & Noble, Waterstones, and independent local stores. Online Retailers: Amazon, Book Depository, and various online bookstores offer a wide range of books in physical and digital formats.
2. What are the different book formats available? Hardcover: Sturdy and durable, usually more expensive. Paperback: Cheaper, lighter, and more portable than hardcovers. E-books: Digital books available for e-readers like Kindle or software like Apple Books, Kindle, and Google Play Books.
3. How do I choose a Briggs And Stratton Model 287707 Manual book to read? Genres: Consider the genre you enjoy (fiction, non-fiction, mystery, sci-fi, etc.). Recommendations: Ask friends, join book clubs, or explore online reviews and recommendations. Author: If you like a particular author, you might enjoy more of their work.
4. How do I take care of Briggs And Stratton Model 287707 Manual books? Storage: Keep them away from direct sunlight and in a dry environment. Handling: Avoid folding pages, use bookmarks, and handle them with clean hands. Cleaning: Gently dust the covers and pages occasionally.
5. Can I borrow books without buying them? Public Libraries: Local libraries offer a wide range of books for borrowing. Book Swaps: Community book exchanges or online platforms where people exchange books.
6. How can I track my reading progress or manage my book collection? Book Tracking Apps: Goodreads, LibraryThing, and Book Catalogue are popular apps for tracking your reading progress and managing book collections. Spreadsheets: You can create your own spreadsheet to track books read, ratings, and other details.
7. What are Briggs And Stratton Model 287707 Manual audiobooks, and where can I find them? Audiobooks: Audio recordings of books, perfect for listening while commuting or multitasking. Platforms: Audible, LibriVox, and Google Play Books offer a wide selection of audiobooks.
8. How do I support authors or the book industry? Buy Books: Purchase books from authors or independent bookstores. Reviews: Leave reviews on platforms like Goodreads or Amazon. Promotion: Share your favorite books on social media or recommend them to friends.
9. Are there book clubs or reading communities I can join? Local Clubs: Check for local book clubs in libraries or community centers. Online Communities: Platforms like Goodreads have virtual book clubs and discussion groups.
10. Can I read Briggs And Stratton Model 287707 Manual books for free? Public Domain Books: Many classic books are available for free as they're in the public domain. Free E-books: Some websites offer free e-books legally, like Project Gutenberg or Open Library.

**Find Briggs And Stratton Model 287707 Manual :**

**alchemy and meggy swann**

*alchemy of the stone journey of a visionary artist and alchemist*

[airman air compressor pds655s manual](#)

[album de recuerdos de mi primera comunión](#)

[al anon literature online free](#)

[akai xr20 owners manual](#)

[alabama clerk exam study guide](#)

[akira pd k678 manual](#)

[airfrance airline quality manual](#)

**aisc manual of steel construction 9th edition free**

[akai mpk mini owners manual](#)

[akbar een oostersche roman](#)

**alan turings systems of logic the princeton thesis**

[aisc steel construction manual 13th edition free download](#)

[akai lpd8 manual](#)

**Briggs And Stratton Model 287707 Manual :**

Oil Politics: A Modern History of Petroleum Oil politics in the twenty-first century remain fraught with tensions, and this book offers a uniquely accessible guide to understanding this complex but ... A Modern History of Petroleum by Francisco Parra by C Watkins · 2004 · Cited by 1 — Oil Politics - A Modern History of Petroleum by Francisco Parra. (I.B.Tauris, 2004), 364 pages, ISBN 1-86064-977-7. Hardcover. This is a splendid volume ... Oil Politics: A Modern History of Petroleum The politics of oil revolves around its price and the reliability of its suppliers. In turn, many international conflicts in the world today are rooted in ... Oil Politics: A Modern History of Petroleum Nov 21, 2003 — Oil politics in the twenty-first century remain fraught with tensions, and this book offers a uniquely accessible guide to understanding this ... OIL POLITICS - A Modern History of Petroleum Enter OPEC: The Early Years 1960-1968. 6. The Tehran and Tripoli Agreements, 1971. 7. The Struggle for Control, 1971-1973. 8. Importers Take Heed, 1971-1973. Oil politics : a modern history of petroleum "Understanding the politics and most recent history of world oil affords critical insights into the politics of the contemporary world generally. Oil Politics: A Modern History of Petroleum - Parra, Francisco Oil Politics: A Modern History of Petroleum by Parra, Francisco - ISBN 10:



1848851294 - ISBN 13: 9781848851290 - I.B. Tauris - 2009 - Softcover. Oil Politics: A Modern History of Petroleum (Paperback) Dec 1, 2009 — Oil Politics surveys the tumultuous history of the international petroleum industry, from its extraordinary growth between 1950 and 1979, ... Oil Politics: A Modern History of Petroleum - Francisco Parra The politics of oil revolves around its price and the reliability of its suppliers. In turn, many international conflicts in the world today are rooted in ... Oil Politics: A Modern History of Petroleum Oil politics in the twenty-first century remain fraught with tensions, and this book offers a uniquely accessible guide to understanding this complex but ... The Quest for Authentic Power: Getting Past Manipulation ... The Quest for Authentic Power: Getting Past Manipulation, Control, and Self Limiting Beliefs · Buy New. \$17.95\$17.95. FREE delivery: Thursday, Dec 21 on orders ... The Quest for Authentic Power: Getting Past Manipulation ... The Quest for Authentic Power: Getting Past Manipulation, Control, and Self Limiting Beliefs by Lawford, G Ross(June 15, 2002) Paperback · Book overview. The Quest for Authentic Power: Getting Past Manipulation ... The Quest for Authentic Power: Getting Past Manipulation, Control, and Self Limiting Beliefs by Lawford, G. Ross - ISBN 10: 1576751473 - ISBN 13: ... The Quest for Authentic Power: Getting Past Manipulation, ... May 10, 2002 — The Quest for Authentic Power: Getting Past Manipulation, Control, and Self Limiting Beliefs ... power based on authority, control, strength, and ... The Quest for Authentic Power: Getting Past Manipulation ... The author suggests that real power is gained not by egogenerated thoughts but by integrating the capabilities of the mind with the wise direction of the heart. The Quest for Authentic Power (Paperback) Drawing on psychology, theology, and business, Lawford outlines a new view of power based on authenticity and provides practical pointers for achieving your ... The Quest for Authentic Power (Getting Past Manipulation ... This book title, The Quest for Authentic Power (Getting Past Manipulation, Control, and Self-Limiting Beliefs), ISBN: 9781576751473, by G. Ross Lawford, ... The Quest for Authentic Power: Getting Past Manipulation ... May 12, 2002 — Authentic power-the power to consistently obtain what we truly desire-comes from within. Such power, the power to determine your own destiny ... The Quest for Authentic Power 1st edition 9781576751473 ... ISBN-13: 9781576751473 ; Authors: G Ross Lawford ; Full Title: The Quest for Authentic Power: Getting Past Manipulation, Control, and Self-Limiting Beliefs. The Quest for Authentic Power Getting Past Manipulation ... ISBN. 9781576751473 ; Book Title. Quest for Authentic Power : Getting Past Manipulation, Control, and Self-Limiting Beliefs ; Accurate description. 4.9. Pocket Psychiatry (Pocket Notebook Series) A resource for essential information, in a high-yield, easy-to-use format, designed to help students, trainees, and others navigate the initial psychiatric ... Pocket Psychiatry - Wolters Kluwer May 16, 2019 — Pocket Psychiatry, a new addition to the Pocket Notebook series, is written by residents for residents. A resource for essential information ... Ovid - Pocket Psychiatry A resource for essential information, in a high-yield, easy-to-use format, designed to help students, trainees, and others navigate the initial psychiatric ... APA - Pocket Guide to Psychiatric Practice The long-awaited Pocket Guide to Psychiatric Practice is a portable and concise companion to its parent textbook, Introductory Textbook of Psychiatry, ... Pocket Psychiatry (Pocket Notebook

Series) eBook : Taylor ... A resource for essential information, in a high-yield, easy-to-use format, designed to help students, trainees, and others navigate the initial psychiatric ... Pocket Notebook Series - Wolters Kluwer - Lippincott Pocket Psychiatry. QuickView. Added To Your Cart. Pocket Psychiatry. ISBN/ISSN: 9781975117931. Quantity :1. Continue Shopping

The Pocket Psychiatrist: A Carlat Podcast - The Pocket ... In this podcast we'll teach you how fix insomnia by harnessing the biological forces that drive sleep. The therapy is called CBT-insomnia, and there are more ... Pocket Psychiatry (Pocket Notebook Series) May 24, 2019 — A resource for essential information, in a high-yield, easy-to-use format, designed to help students, trainees, and others navigate the initial ... Pocket Psychiatry | 9781975117931, 9781975117955 Pocket Psychiatry is written by John B. Taylor; Judith Puckett and published by Wolters Kluwer Health. The Digital and eTextbook ISBNs for Pocket Psychiatry ...