



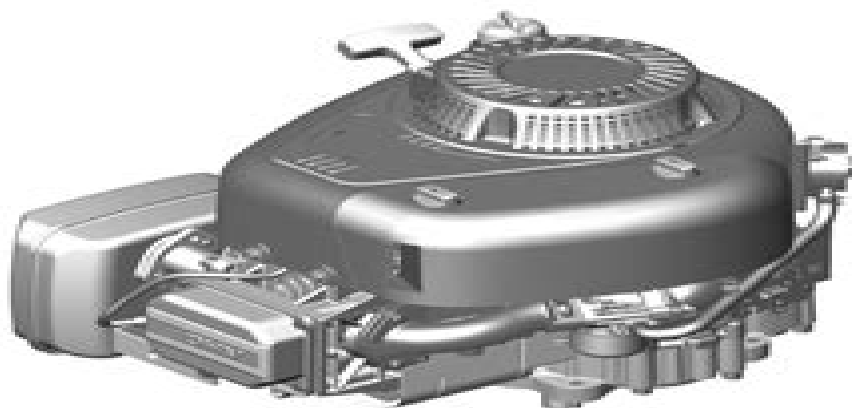
en *Operator's Manual*

es *Manual del Operario*

fr *Manuel de l'opérateur*

Model 210000
Power Built™
Intek™

Model 310000
Power Built™
Intek™



Copyright © Briggs & Stratton Corporation,
Milwaukee, WI, USA. All rights reserved.
Briggs & Stratton is a registered trademark
of Briggs & Stratton Corporation.



Form No. 276344TR1
Revision: T

English

en

Español

es

Français

fr

Briggs And Stratton 420000 Service Manual

Guillaume Favre



Briggs And Stratton 420000 Service Manual:

Briggs And Stratton 420000 Service Manual: Bestsellers in 2023 The year 2023 has witnessed a noteworthy surge in literary brilliance, with numerous compelling novels captivating the hearts of readers worldwide. Lets delve into the realm of bestselling books, exploring the captivating narratives that have enthralled audiences this year. The Must-Read : Colleen Hoover "It Ends with Us" This poignant tale of love, loss, and resilience has captivated readers with its raw and emotional exploration of domestic abuse. Hoover skillfully weaves a story of hope and healing, reminding us that even in the darkest of times, the human spirit can triumph. Briggs And Stratton 420000 Service Manual : Taylor Jenkins Reids "The Seven Husbands of Evelyn Hugo" This spellbinding historical fiction novel unravels the life of Evelyn Hugo, a Hollywood icon who defies expectations and societal norms to pursue her dreams. Reids compelling storytelling and compelling characters transport readers to a bygone era, immersing them in a world of glamour, ambition, and self-discovery. Discover the Magic : Delia Owens "Where the Crawdads Sing" This mesmerizing coming-of-age story follows Kya Clark, a young woman who grows up alone in the marshes of North Carolina. Owens crafts a tale of resilience, survival, and the transformative power of nature, captivating readers with its evocative prose and mesmerizing setting. These popular novels represent just a fraction of the literary treasures that have emerged in 2023. Whether you seek tales of romance, adventure, or personal growth, the world of literature offers an abundance of captivating stories waiting to be discovered. The novel begins with Richard Papen, a bright but troubled young man, arriving at Hampden College. Richard is immediately drawn to the group of students who call themselves the Classics Club. The club is led by Henry Winter, a brilliant and charismatic young man. Henry is obsessed with Greek mythology and philosophy, and he quickly draws Richard into his world. The other members of the Classics Club are equally as fascinating. Bunny Corcoran is a wealthy and spoiled young man who is always looking for a good time. Charles Tavis is a quiet and reserved young man who is deeply in love with Henry. Camilla Macaulay is a beautiful and intelligent young woman who is drawn to the power and danger of the Classics Club. The students are all deeply in love with Morrow, and they are willing to do anything to please him. Morrow is a complex and mysterious figure, and he seems to be manipulating the students for his own purposes. As the students become more involved with Morrow, they begin to commit increasingly dangerous acts. The Secret History is a exceptional and gripping novel that will keep you speculating until the very end. The novel is a warning tale about the dangers of obsession and the power of evil.

<https://stats.tinkerine.com/files/uploaded-files/index.jsp/Badger%2080%20Manual.pdf>

Table of Contents Briggs And Stratton 420000 Service Manual

1. Understanding the eBook Briggs And Stratton 420000 Service Manual
 - The Rise of Digital Reading Briggs And Stratton 420000 Service Manual
 - Advantages of eBooks Over Traditional Books
2. Identifying Briggs And Stratton 420000 Service Manual
 - Exploring Different Genres
 - Considering Fiction vs. Non-Fiction
 - Determining Your Reading Goals
3. Choosing the Right eBook Platform
 - Popular eBook Platforms
 - Features to Look for in an Briggs And Stratton 420000 Service Manual
 - User-Friendly Interface
4. Exploring eBook Recommendations from Briggs And Stratton 420000 Service Manual
 - Personalized Recommendations
 - Briggs And Stratton 420000 Service Manual User Reviews and Ratings
 - Briggs And Stratton 420000 Service Manual and Bestseller Lists
5. Accessing Briggs And Stratton 420000 Service Manual Free and Paid eBooks
 - Briggs And Stratton 420000 Service Manual Public Domain eBooks
 - Briggs And Stratton 420000 Service Manual eBook Subscription Services
 - Briggs And Stratton 420000 Service Manual Budget-Friendly Options
6. Navigating Briggs And Stratton 420000 Service Manual eBook Formats
 - ePub, PDF, MOBI, and More
 - Briggs And Stratton 420000 Service Manual Compatibility with Devices
 - Briggs And Stratton 420000 Service Manual Enhanced eBook Features
7. Enhancing Your Reading Experience
 - Adjustable Fonts and Text Sizes of Briggs And Stratton 420000 Service Manual
 - Highlighting and Note-Taking Briggs And Stratton 420000 Service Manual
 - Interactive Elements Briggs And Stratton 420000 Service Manual
8. Staying Engaged with Briggs And Stratton 420000 Service Manual

- Joining Online Reading Communities
 - Participating in Virtual Book Clubs
 - Following Authors and Publishers Briggs And Stratton 420000 Service Manual
9. Balancing eBooks and Physical Books Briggs And Stratton 420000 Service Manual
- Benefits of a Digital Library
 - Creating a Diverse Reading Collection Briggs And Stratton 420000 Service Manual
10. Overcoming Reading Challenges
- Dealing with Digital Eye Strain
 - Minimizing Distractions
 - Managing Screen Time
11. Cultivating a Reading Routine Briggs And Stratton 420000 Service Manual
- Setting Reading Goals Briggs And Stratton 420000 Service Manual
 - Carving Out Dedicated Reading Time
12. Sourcing Reliable Information of Briggs And Stratton 420000 Service Manual
- Fact-Checking eBook Content of Briggs And Stratton 420000 Service Manual
 - Distinguishing Credible Sources
13. Promoting Lifelong Learning
- Utilizing eBooks for Skill Development
 - Exploring Educational eBooks
14. Embracing eBook Trends
- Integration of Multimedia Elements
 - Interactive and Gamified eBooks

Briggs And Stratton 420000 Service Manual Introduction

Briggs And Stratton 420000 Service Manual Offers over 60,000 free eBooks, including many classics that are in the public domain. Open Library: Provides access to over 1 million free eBooks, including classic literature and contemporary works. Briggs And Stratton 420000 Service Manual Offers a vast collection of books, some of which are available for free as PDF downloads, particularly older books in the public domain. Briggs And Stratton 420000 Service Manual : This website hosts a vast collection of scientific articles, books, and textbooks. While it operates in a legal gray area due to copyright issues, its a popular resource for finding various publications. Internet Archive for Briggs And Stratton 420000 Service Manual : Has an

extensive collection of digital content, including books, articles, videos, and more. It has a massive library of free downloadable books. Free-eBooks Briggs And Stratton 420000 Service Manual Offers a diverse range of free eBooks across various genres. Briggs And Stratton 420000 Service Manual Focuses mainly on educational books, textbooks, and business books. It offers free PDF downloads for educational purposes. Briggs And Stratton 420000 Service Manual Provides a large selection of free eBooks in different genres, which are available for download in various formats, including PDF. Finding specific Briggs And Stratton 420000 Service Manual, especially related to Briggs And Stratton 420000 Service Manual, might be challenging as theyre often artistic creations rather than practical blueprints. However, you can explore the following steps to search for or create your own Online Searches: Look for websites, forums, or blogs dedicated to Briggs And Stratton 420000 Service Manual, Sometimes enthusiasts share their designs or concepts in PDF format. Books and Magazines Some Briggs And Stratton 420000 Service Manual books or magazines might include. Look for these in online stores or libraries. Remember that while Briggs And Stratton 420000 Service Manual, sharing copyrighted material without permission is not legal. Always ensure youre either creating your own or obtaining them from legitimate sources that allow sharing and downloading. Library Check if your local library offers eBook lending services. Many libraries have digital catalogs where you can borrow Briggs And Stratton 420000 Service Manual eBooks for free, including popular titles. Online Retailers: Websites like Amazon, Google Books, or Apple Books often sell eBooks. Sometimes, authors or publishers offer promotions or free periods for certain books. Authors Website Occasionally, authors provide excerpts or short stories for free on their websites. While this might not be the Briggs And Stratton 420000 Service Manual full book , it can give you a taste of the authors writing style. Subscription Services Platforms like Kindle Unlimited or Scribd offer subscription-based access to a wide range of Briggs And Stratton 420000 Service Manual eBooks, including some popular titles.

FAQs About Briggs And Stratton 420000 Service Manual Books

1. Where can I buy Briggs And Stratton 420000 Service Manual books? Bookstores: Physical bookstores like Barnes & Noble, Waterstones, and independent local stores. Online Retailers: Amazon, Book Depository, and various online bookstores offer a wide range of books in physical and digital formats.
2. What are the different book formats available? Hardcover: Sturdy and durable, usually more expensive. Paperback: Cheaper, lighter, and more portable than hardcovers. E-books: Digital books available for e-readers like Kindle or software like Apple Books, Kindle, and Google Play Books.
3. How do I choose a Briggs And Stratton 420000 Service Manual book to read? Genres: Consider the genre you enjoy

- (fiction, non-fiction, mystery, sci-fi, etc.). Recommendations: Ask friends, join book clubs, or explore online reviews and recommendations. Author: If you like a particular author, you might enjoy more of their work.
4. How do I take care of Briggs And Stratton 420000 Service Manual books? Storage: Keep them away from direct sunlight and in a dry environment. Handling: Avoid folding pages, use bookmarks, and handle them with clean hands. Cleaning: Gently dust the covers and pages occasionally.
 5. Can I borrow books without buying them? Public Libraries: Local libraries offer a wide range of books for borrowing. Book Swaps: Community book exchanges or online platforms where people exchange books.
 6. How can I track my reading progress or manage my book collection? Book Tracking Apps: Goodreads, LibraryThing, and Book Catalogue are popular apps for tracking your reading progress and managing book collections. Spreadsheets: You can create your own spreadsheet to track books read, ratings, and other details.
 7. What are Briggs And Stratton 420000 Service Manual audiobooks, and where can I find them? Audiobooks: Audio recordings of books, perfect for listening while commuting or multitasking. Platforms: Audible, LibriVox, and Google Play Books offer a wide selection of audiobooks.
 8. How do I support authors or the book industry? Buy Books: Purchase books from authors or independent bookstores. Reviews: Leave reviews on platforms like Goodreads or Amazon. Promotion: Share your favorite books on social media or recommend them to friends.
 9. Are there book clubs or reading communities I can join? Local Clubs: Check for local book clubs in libraries or community centers. Online Communities: Platforms like Goodreads have virtual book clubs and discussion groups.
 10. Can I read Briggs And Stratton 420000 Service Manual books for free? Public Domain Books: Many classic books are available for free as they're in the public domain. Free E-books: Some websites offer free e-books legally, like Project Gutenberg or Open Library.

Find Briggs And Stratton 420000 Service Manual :

[badger 80 manual](#)

[**babys book knit and crochet leisure arts leaflet 144**](#)

[**backpage in kansas city**](#)

[baby goats 2016 16 month calendar september 2015 through december 2016](#)

[back to school workseets for grade 8](#)

[*babylock evolution guide*](#)

[baby cheep cheep baby sparkle](#)

[babylock emp6 manual](#)

[baby led weaning helping your baby to love good food](#)

[baby talk a lift the flap book](#)

[backpack literature 4th edition free](#)

[baja wd250 wilderness 250cc](#)

[bad religion how we became a nation of heretics](#)

[backwards design lesson plan template](#)

[backtrack 5 tools manual](#)

Briggs And Stratton 420000 Service Manual :

[einstufungstest caminos hoy a1 startseite klett sprachen](#) - Feb 25 2022

web willkommen beim einstuftest caminos hoy a1 dieser einstuftest bewertet ihre sprachkenntnisse in spanisch auf dem niveau a1 nach der auswertung erhalten sie

[caminos neu 1 a1 spanisch für anfänger lern und](#) - Dec 06 2022

web caminos neu 1 a1 spanisch für anfänger lern und Übungsbuch mit audio cd görrissen margarita häuptle barceló marianne sánchez benito juana barceló

[caminos a1 neue ausgabe lehr und arbeitsbuch mit 3 audio](#) - May 31 2022

web dec 14 2009 habe mir dieses lehrbuch caminos neu a1 klett verlag von m görrissen u a im rahmen eines spanischkurses an der volkshochschule gekauft bis auf den

[caminos neu phase6](#) - Aug 02 2022

web caminos neu lernen sie die vokabeln zu caminos neu a1 das vokabelpaket umfasst die wichtigsten vokabeln zum lehrwerk ob zu hause oder unterwegs so üben sie den

[caminos neu a1 vokabeln pdf w tango](#) - Jan 27 2022

web nov 28 2019 caminos neu a1 vokabeln pdf caminos 1 neu vokabeltrainer a1 vokabelheft 2 audio cds 1 cd rom volume 1 front cover milagros paredes

[caminos neu a1 klett sprachen](#) - Jun 12 2023

web caminos neu a1 lern und Übungsbuch mit audio cd Übungs cd rom das lern und Übungsbuch mit eingelegter audio cd Übungs cd rom bietet zu jeder lektion einen

[ernst klett sprachen einstuftests](#) - Jul 01 2022

web toggle navigation ernst klett sprachen einstuftestests deutsch als fremdsprache dänisch englisch französisch italienisch niederländisch norwegisch portugiesisch

caminos neu a1 lern und Übungsbuch mit audio - Nov 05 2022

web caminos neu a1 lern und Übungsbuch a1 führt in 3 bänden zum europäischen sprachenzertifikat b1 mit diesem band wird in ca 90 unterrichtsstunden das niveau

caminos a1 neue ausgabe lehr und arbeitsbuch mit 3 audio - Mar 09 2023

web caminos neu a1 lehr und arbeitsbuch jetzt mit komplettem audiomaterial und portfolioführt in 3 bänden zum europäischen sprachenzertifikat b1 mit diesem band

caminos a1 b1 wortschatz klett sprachen - May 11 2023

web das komplette vokabular zum lehrwerk a1 b1 zum schnellen und effizienten nachschlagen spanisch deutsch deutsch spanisch caminos neu ist als 3 bändige

erwachsenenbildung spanisch klett und balmer verlag baar - Apr 29 2022

web lektüre für schülerinnen und schüler klasse 6 7 a1 el secreto del castillo lektüre für schülerinnen und schüler klasse 7 9 a2 matarme haría mucho ruido lektüre mit

caminos neu b1 lehr und arbeitsbuch mit audio cds klett - Mar 29 2022

web caminos neu ist als 3 bändige ausgabe mit integriertem arbeitsbuch abgestimmt auf die niveaustufen a1 a2 und b1 des europäischen referenzrahmens caminos neu ist

caminos neu lehrwerk spanisch klett sprachen - Jul 13 2023

web caminos neu ein erfolgreicher weg in die welt des spanischen caminos neu ist als 3 bändige ausgabe mit integriertem arbeitsbuch abgestimmt auf die niveaustufen a1 a2

caminos a1 neue ausgabe ernst klett sprachen gmbh - Oct 04 2022

web caminos neu a1 lehr und arbeitsbuch jetzt mit komplettem audiomaterial und portfolioführt in 3 bänden zum europäischen sprachenzertifikat b1 mit diesem band

caminos neu a1 lehr und arbeitsbuch mit 3 audio cds klett - Aug 14 2023

web caminos neu a1 lehr und arbeitsbuch jetzt mit komplettem audiomaterial und portfolio führt in 3 bänden zum europäischen sprachenzertifikat b1 mit diesem band wird in ca

caminos neu a1 spanisch als 3 fremdsprache lehr und - Jan 07 2023

web caminos neu a1 spanisch als 3 fremdsprache lehr und arbeitsbuch mit 3 audio cds görrissen margarita häuptle barceló marianne sánchez benito juana isbn

ernst klett verlag suche - Sep 03 2022

web caminos neu a1 lern und *Ä* bungsbuch mit audio cd online *Ä* bungen isbn 978 3 12 514955 7

[suchergebnisse ernst klett verlag](#) - Dec 26 2021

web meinweg allgemeine ausgabe ab 2020 abc lernlandschaft abc lernlandschaft ausgabe ab 2019 aha aufsatztraining und sprachtraining ausgabe ab 2017

[caminos neu 1 a1 spanisch für anfänger lern und](#) - Feb 08 2023

web caminos neu 1 a1 spanisch für anfänger lern und Übungsbuch mit audio cd görrissen margarita häuptle barceló

marianne sánchez benito juana barceló

[klett caminos neu a1 verify meetcircle com](#) - Nov 24 2021

web klett caminos neu a1 3 3 hochschulen und in der erwachsenenbildung untersucht cultural studies in foreign language education macmillan in a story where the text

caminos neu a1 klett sprachen - Sep 22 2021

web führt in 3 bänden zum europäischen sprachenzertifikat b1 mit diesem band wird in ca 90 unterrichtsstunden das niveau a1 des europäischen referenzrahmens erreicht

[caminos neu a1 lösungsheft zum lehr und arbeitsbuch klett](#) - Oct 24 2021

web caminos neu caminos neu ist als 3 bändige ausgabe mit integriertem arbeitsbuch abgestimmt auf die niveaustufen a1 a2 und b1 des europäischen referenzrahmens

caminos neu a1 guía didáctica klett sprachen - Apr 10 2023

web caminos neu a1 guía didáctica der lehrerband ist auf spanisch abgefasst und enthält detaillierte hinweise für die unterrichtsgestaltung landeskundliche

ewm900 sap - Apr 12 2023

web these materials are provided by sap se or an sap affiliate company for informational purposes only without representation or warranty of any kind and sap se or its affiliated companies shall not be liable 1 unit 1 sap ewm system deployment and interfaces 1 lesson exploring sap ewm deployment options 1 lesson describing sap erp sap

sap s 4 hana ewm extended warehouse management udemy - Jul 03 2022

web learn all sap ewm concepts with this course what is sap ewm what organizational units can we use and for what what master data should we create what are the main differences with sap wm prove in your job interviews and in your cv that you know about sap s 4 hana extended warehouse management

c s4ewm 1909 sap certified application associate sap training - Dec 08 2022

web description the sap certified application associate extended warehouse management with sap s 4hana certification exam verifies that the candidate has the fundamental and core knowledge in the area of extended warehouse management

required for the consultant profile

ewm trainings and e learnings supply chain management - Jan 09 2023

web sep 16 2016 following you will find a list of the available sap training courses and e learnings for sap extended warehouse management including some details and target groups for a detailed course description content and availability please visit training sap com select your country and enter the course code in the search field

sap ewm tutorial tcodes pdf training materials testingbrain - Jul 15 2023

web see the full list of sap ewm tcodes sap ewm pdf tutorials training materials how to adjust user interfaces ui in sap ewm pdf guide how to use ppf in sap ewm pdf training outbound process handling in ewm quality inspection process using ewm and qm in sap erp sap ewm architecture and programming sap extended

sap s 4hana for extended warehouse management ewm sap - Aug 16 2023

web sap s 4hana for extended warehouse management ewm helps businesses manage high volumes of goods and run agile operations with digitalized and accelerated warehouse processes

sap ewm extended warehouse management training udemy - Oct 06 2022

web sap ewm extended warehouse management is a unified software solution by sap for flexible automated support for processing various goods movement and managing stock in the warehouse ewm module supports users with planned and efficient processing of complex logistics processes

sap ewm sap extended warehouse management udemy - Sep 05 2022

web in this video you will learn about sap extended warehouse management ewm de centralized s 4 hana embedded ewm module to boost your career in the sap world understand the ewm business scenario customizing configuration of business requirement and testing with document flow in the system

get certified in extended warehouse management with sap - Jun 02 2022

web ace your ewm implementation with an sap s 4hana 2020 application associate certification join our training and pass the exam with confidence enroll now

7 sap ewm training materials to help you become an expert - Jun 14 2023

web may 6 2021 sap extended warehouse management ewm is a part of sap s supply management suite of solutions this product helps you streamline the functionality your supply chain needs to perform and meet the demands of warehouse management by helping automate goods processing and managing inventory

training for ewm in s 4hana in extended warehouse - Mar 11 2023

web training for ewm in s 4hana in extended warehouse management

sap ewm architecture tutorial free sap ewm training - Jan 29 2022

web feb 4 2021 sap ewm comes in two versions earlier one has a decentralized structure where it comes in a different box and required interfaces core interface cif to exchange master data between erp and ewm the material can be stored in an interim storage known as the staging area a staging area defines a storage section of a storage type

sap extended warehouse management fundamentals of sap ewm udemy - Aug 04 2022

web how the ewm works what objects the ewm provides and the most useful support we can provide sap ewm is not that complicated if you understand the principles learn how the sap ewm is constructed and how some of the basic processes are operated

ewm110 basic customizing in sap s 4hana ewm sap training - Feb 27 2022

web course announcements this course is also available in a self paced e learning format with an active subscription to the sap learning hub as ewm11e in this course you can define and set the mandatory configuration required to customize the implementation of sap ewm

sap extended warehouse management material flow systems udemy - Nov 07 2022

web we just offer sap ewm training courses full of hands on expertise we put together everything you need to know about the basics of sap ewm mfs how connections to external partners are set up in ewm and how the

ewm115 resource management in sap extended warehouse management - Mar 31 2022

web resource management in sap extended warehouse management level details configuration transaction languages english course included in the following training paths ewm in s 4hana solution release

sap ewm training sap ewm training courses knowyourewm - Dec 28 2021

web sap ewm fundamentals check out our preview trailer for the sap ewm fundamentals course the most sold and viewed knowyourewm course on the udemy learning platform 3500 participants and an average rating of 4 5 out of 5 stars learn the basics of sap ewm in a fun and understandable way if you want to find out more check

sap ewm training free online sap ewm course erproof - May 13 2023

web jun 9 2021 sap ewm training learn sap ewm embedded warehouse management with this free sap ewm training course the training course consists of a series of sap ewm tutorials that will help you to learn sap ewm at your own pace sap ewm vs wm sap ewm architecture sap ewm warehouse order

sap extended warehouse management 9 5 master guide sap - May 01 2022

web master guide which you can find on sap help portal at help sap com ewm this master guide provides an overview of sap ewm 9 5 its software units components and its scenarios from a technical perspective

ewm100 processes in sap extended warehouse management sap training - Feb 10 2023

web content warehousing structures and master data differentiating the sap solutions for warehouse management

organizational structures and master data for sap ewm basic processes in sap ewm processing goods received and goods for shipping warehouse monitoring and processing with mobile devices

diy les chiffres rugueux montessori avec silhouette studio - Mar 31 2022

web jul 21 2017 diy les chiffres rugueux montessori avec silhouette studio 21 juillet 2017 in montessori bonjour à tous aujourd'hui un petit diy tout simple à réaliser avec les enfants pour se fabriquer soi même les chiffres rugueux je sais qu'il existe déjà des tonnes d'exemples sur les blogs mais ici ça sera un poil différent

mes chiffres montessori pochette avec 21 chiffres rugueux et 21 - Nov 07 2022

web mes chiffres montessori pochette avec 21 chiffres rugueux et 21 cartes À partir de 3 ans de celine santini auteur y vendula kachel auteur des chi recevez gratuitement cet ebook

chiffres rugueux montessori so montessori - May 01 2022

web les chiffres rugueux chiffres français 25 00 ttc avec les chiffres rugueux l'enfant de 3 à 6 ans découvre à travers les 3 mémoires les symboles de 0 à 9 qui permettent d'écrire tous les nombres premier pas vers la compréhension des

ma pochette montessori les chiffres rugueux 3 6 ans - May 13 2023

web une pochette complète pour découvrir les chiffres avec le matériel montessori elle contient 10 chiffres rugueux à suivre du bout des doigts pour découvrir et mémoriser en douceur la tracé de chaque chiffre des jetons et des cartes chiffres pour associer symboles et quantités

mes chiffres rugueux montessori activité éducative enfant 3 ans - Jun 02 2022

web des chiffres rugueux pour découvrir la méthode montessori à la maison la méthode montessori est une méthode pédagogique développée au début du xxe siècle par le docteur maria montessori qui prônait un apprentissage respectueux des rythmes naturels de l'enfant dans

mes chiffres rugueux montessori dès 3 ans by eve herrmann - Feb 27 2022

web mes chiffres rugueux montessori dès 3 ans by eve herrmann mes chiffres rugueux montessori dès 3 ans by eve herrmann les 50 premiers mots arabes 50 jeu jouet crer ateliers montessori queendangerous les chiffres rugueux broch charlotte poussin marie 80 meilleures images du tableau apprendre les chiffres gazechimp montessori

les livres ardoises mes chiffres rugueux montessori 3 6 ans - Jul 03 2022

web aug 21 2023 les livres ardoises mes chiffres rugueux montessori 3 6 ans édition 2019 par collectif aux éditions bordas la pédagogie conçue par maria montessori au début du xxème siècle place l'enfant au coeur de son apprentissage en favorisant son autonomie et le développement d

les chiffres rugueux présentation de cette activité montessori - Jun 14 2023

web cet article fait parti de la catégorie le matériel montessori age de l'enfant 3 ans et demi but de l'activité associer le

chiffre à son dessin en intégrant sa forme et ses contours préparation à l'écriture

tout savoir sur les chiffres rugueux montessori - Feb 10 2023

web jan 13 2023 que sont les chiffres rugueux montessori exactement les chiffres rugueux montessori se composent de dix planchettes en bois sur lesquelles est inscrit en relief chaque chiffre de 0 à 9 les chiffres ont un aspect granuleux comme du papier de verre et apparaissent généralement en jaune sur fond vert foncé

chiffres rugueux à imprimer l'atelier montessori - Oct 06 2022

web sep 19 2011 avec les chiffres rugueux l'enfant associe le nom d'un chiffre à son dessin il intègre sa forme et ses contours et se prépare à l'écrire ces chiffres sont présentés vers 3 ans 1 2 4 ans après le travail avec les barres rouges et bleues ils sont introduits trois par trois au cours d'une leçon en trois temps de l'adulte

coffret mes chiffres rugueux montessori dès 3 ans - Sep 05 2022

web découvrez un coffret pour aborder avec l'enfant les premières notions de calcul selon la pédagogie montessori en touchant en observant en expérimentant passer au contenu fermer le menu montessori par aire nido 0 3 ans vie pratique sensoriel

mes petits ateliers montessori mes chiffres rugueux fnac - Apr 12 2023

web may 17 2017 de 3 à 6 ans mes petits ateliers montessori mes chiffres rugueux collectif larousse des milliers de livres avec la livraison chez vous en 1 jour ou en magasin avec 5 de réduction mes petits ateliers montessori mes chiffres rugueux de 3 à 6 ans broché collectif achat livre fnac

diy chiffres rugueux montessori mes filles et moi - Aug 04 2022

web mars 16 2020 pour faire suite à mon article apprendre à compter en maternelle je vous propose un diy simple pour réaliser soi-même des chiffres rugueux à utiliser à la maison dans une continuité pédagogique de l'école ou si vous faites l'instruction en famille

mes chiffres rugueux montessori dès 3 ans relié amazon fr - Aug 16 2023

web eve est la fondatrice du nido un espace dédié aux parents et à leurs enfants de la naissance à 3 ans qui propose des ateliers de découverte de la pédagogie montessori adaptée aux tous petits elle vit à lyon elle est notamment l'auteure des 100 activités d'éveil montessori ed nathan

les livres ardoises mes chiffres rugueux montessori - Jul 15 2023

web avec son support effaçable et ses chiffres rugueux le livre ardoise est un support sensoriel et ludique idéalement adapté à la pédagogie montessori grâce à la texture rugueuse des chiffres et au sens indiqué par les flèches l'enfant mémorise leur tracé en les suivant avec son doigt

les chiffres rugueux montessori tout ce qu'il faut savoir sur - Mar 11 2023

web jun 18 2021 dès qu'il connaît 1 2 et 3 par exemple on pourra proposer en parallèle des barres rouges et bleues les chiffres rugueux correspondants de manière générale on pourra présenter cette activité à l'âge de 3 ans 1 2 ou 4 ans en fait l'âge n'est pas tellement important

les chiffres rugueux montessori apprentissage des chiffres de - Jan 29 2022

web apprendre les chiffres de 0 à 9 par les sens Âge indicatif 3 ans composition des chiffres rugueux montessori le matériel pédagogique comprenant 10 plaques de chiffres rugueux de 0 à 9 12 x 16 cm sur fond vert code couleur des unités sur tout le matériel pédagogique montessori et 10 cartes de dénombrement à associer aux chiffres

mes chiffres montessori pochette avec 21 chiffres rugueux et 21 - Jan 09 2023

web noté 5 retrouvez mes chiffres montessori pochette avec 21 chiffres rugueux et 21 cartes À partir de 3 ans et des millions de livres en stock sur amazon.fr achetez neuf ou d'occasion

mes chiffres rugueux montessori broché celine santini - Dec 08 2022

web jan 18 2018 des chiffres rugueux pour découvrir la méthode montessori à la maison la méthode montessori est une méthode pédagogique développée au début du xxe siècle par le docteur maria montessori qui prônait un apprentissage respectueux des rythmes naturels de l'enfant

mes chiffres rugueux montessori da s 3 ans build diep io - Dec 28 2021

web mes chiffres rugueux montessori da s 3 ans i prelibri pigs from 1 to 10 to educate the human potential mother's songs games and stories the adventures of huckleberry finn the snow day montessori langage mathématiques 3 4 ans montessori the child in the family el mitón the child society and the world hello let's go how much does a