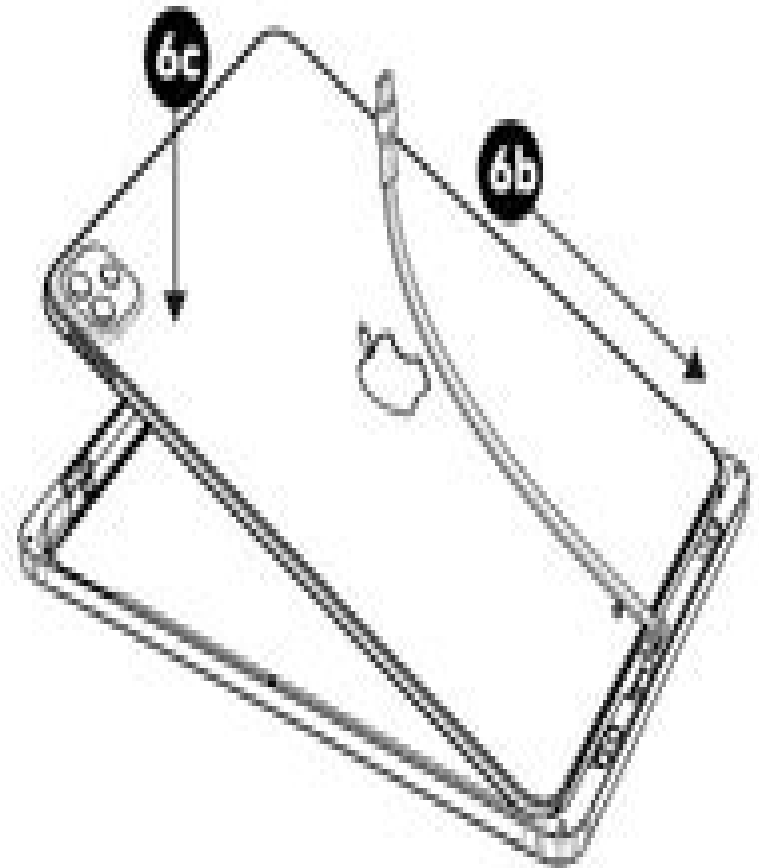


6



Apple Ipad 2 Instruction Manual

Gerard McClay



Apple Ipad 2 Instruction Manual:

Whispering the Secrets of Language: An Emotional Quest through **Apple Ipad 2 Instruction Manual**

In a digitally-driven earth wherever screens reign supreme and instant interaction drowns out the subtleties of language, the profound techniques and psychological nuances concealed within words often go unheard. Yet, nestled within the pages of **Apple Ipad 2 Instruction Manual** a interesting literary value sporting with organic thoughts, lies an exceptional quest waiting to be undertaken. Penned by a talented wordsmith, this enchanting opus encourages visitors on an introspective journey, lightly unraveling the veiled truths and profound affect resonating within the material of each word. Within the psychological depths with this poignant review, we shall embark upon a sincere exploration of the book is core styles, dissect its fascinating writing model, and yield to the powerful resonance it evokes strong within the recesses of readers hearts.

<https://stats.tinkerine.com/book/scholarship/index.jsp/blue%20guide%20london%20seventeenth%20edition%20blue%20guide%20s.pdf>

Table of Contents Apple Ipad 2 Instruction Manual

1. Understanding the eBook Apple Ipad 2 Instruction Manual
 - The Rise of Digital Reading Apple Ipad 2 Instruction Manual
 - Advantages of eBooks Over Traditional Books
2. Identifying Apple Ipad 2 Instruction Manual
 - Exploring Different Genres
 - Considering Fiction vs. Non-Fiction
 - Determining Your Reading Goals
3. Choosing the Right eBook Platform
 - Popular eBook Platforms
 - Features to Look for in an Apple Ipad 2 Instruction Manual
 - User-Friendly Interface
4. Exploring eBook Recommendations from Apple Ipad 2 Instruction Manual
 - Personalized Recommendations

- Apple Ipad 2 Instruction Manual User Reviews and Ratings
- Apple Ipad 2 Instruction Manual and Bestseller Lists
- 5. Accessing Apple Ipad 2 Instruction Manual Free and Paid eBooks
 - Apple Ipad 2 Instruction Manual Public Domain eBooks
 - Apple Ipad 2 Instruction Manual eBook Subscription Services
 - Apple Ipad 2 Instruction Manual Budget-Friendly Options
- 6. Navigating Apple Ipad 2 Instruction Manual eBook Formats
 - ePub, PDF, MOBI, and More
 - Apple Ipad 2 Instruction Manual Compatibility with Devices
 - Apple Ipad 2 Instruction Manual Enhanced eBook Features
- 7. Enhancing Your Reading Experience
 - Adjustable Fonts and Text Sizes of Apple Ipad 2 Instruction Manual
 - Highlighting and Note-Taking Apple Ipad 2 Instruction Manual
 - Interactive Elements Apple Ipad 2 Instruction Manual
- 8. Staying Engaged with Apple Ipad 2 Instruction Manual
 - Joining Online Reading Communities
 - Participating in Virtual Book Clubs
 - Following Authors and Publishers Apple Ipad 2 Instruction Manual
- 9. Balancing eBooks and Physical Books Apple Ipad 2 Instruction Manual
 - Benefits of a Digital Library
 - Creating a Diverse Reading Collection Apple Ipad 2 Instruction Manual
- 10. Overcoming Reading Challenges
 - Dealing with Digital Eye Strain
 - Minimizing Distractions
 - Managing Screen Time
- 11. Cultivating a Reading Routine Apple Ipad 2 Instruction Manual
 - Setting Reading Goals Apple Ipad 2 Instruction Manual
 - Carving Out Dedicated Reading Time
- 12. Sourcing Reliable Information of Apple Ipad 2 Instruction Manual
 - Fact-Checking eBook Content of Apple Ipad 2 Instruction Manual

- Distinguishing Credible Sources
13. Promoting Lifelong Learning
- Utilizing eBooks for Skill Development
 - Exploring Educational eBooks
14. Embracing eBook Trends
- Integration of Multimedia Elements
 - Interactive and Gamified eBooks

Apple Ipad 2 Instruction Manual Introduction

In the digital age, access to information has become easier than ever before. The ability to download Apple Ipad 2 Instruction Manual has revolutionized the way we consume written content. Whether you are a student looking for course material, an avid reader searching for your next favorite book, or a professional seeking research papers, the option to download Apple Ipad 2 Instruction Manual has opened up a world of possibilities. Downloading Apple Ipad 2 Instruction Manual provides numerous advantages over physical copies of books and documents. Firstly, it is incredibly convenient. Gone are the days of carrying around heavy textbooks or bulky folders filled with papers. With the click of a button, you can gain immediate access to valuable resources on any device. This convenience allows for efficient studying, researching, and reading on the go. Moreover, the cost-effective nature of downloading Apple Ipad 2 Instruction Manual has democratized knowledge. Traditional books and academic journals can be expensive, making it difficult for individuals with limited financial resources to access information. By offering free PDF downloads, publishers and authors are enabling a wider audience to benefit from their work. This inclusivity promotes equal opportunities for learning and personal growth. There are numerous websites and platforms where individuals can download Apple Ipad 2 Instruction Manual. These websites range from academic databases offering research papers and journals to online libraries with an expansive collection of books from various genres. Many authors and publishers also upload their work to specific websites, granting readers access to their content without any charge. These platforms not only provide access to existing literature but also serve as an excellent platform for undiscovered authors to share their work with the world. However, it is essential to be cautious while downloading Apple Ipad 2 Instruction Manual. Some websites may offer pirated or illegally obtained copies of copyrighted material. Engaging in such activities not only violates copyright laws but also undermines the efforts of authors, publishers, and researchers. To ensure ethical downloading, it is advisable to utilize reputable websites that prioritize the legal distribution of content. When downloading Apple Ipad 2 Instruction Manual, users should also consider the potential security risks associated with online platforms. Malicious actors may exploit vulnerabilities in unprotected websites to distribute malware or steal personal

information. To protect themselves, individuals should ensure their devices have reliable antivirus software installed and validate the legitimacy of the websites they are downloading from. In conclusion, the ability to download Apple Ipad 2 Instruction Manual has transformed the way we access information. With the convenience, cost-effectiveness, and accessibility it offers, free PDF downloads have become a popular choice for students, researchers, and book lovers worldwide. However, it is crucial to engage in ethical downloading practices and prioritize personal security when utilizing online platforms. By doing so, individuals can make the most of the vast array of free PDF resources available and embark on a journey of continuous learning and intellectual growth.

FAQs About Apple Ipad 2 Instruction Manual Books

How do I know which eBook platform is the best for me? Finding the best eBook platform depends on your reading preferences and device compatibility. Research different platforms, read user reviews, and explore their features before making a choice. Are free eBooks of good quality? Yes, many reputable platforms offer high-quality free eBooks, including classics and public domain works. However, make sure to verify the source to ensure the eBook credibility. Can I read eBooks without an eReader? Absolutely! Most eBook platforms offer webbased readers or mobile apps that allow you to read eBooks on your computer, tablet, or smartphone. How do I avoid digital eye strain while reading eBooks? To prevent digital eye strain, take regular breaks, adjust the font size and background color, and ensure proper lighting while reading eBooks. What the advantage of interactive eBooks? Interactive eBooks incorporate multimedia elements, quizzes, and activities, enhancing the reader engagement and providing a more immersive learning experience. Apple Ipad 2 Instruction Manual is one of the best book in our library for free trial. We provide copy of Apple Ipad 2 Instruction Manual in digital format, so the resources that you find are reliable. There are also many Ebooks of related with Apple Ipad 2 Instruction Manual. Where to download Apple Ipad 2 Instruction Manual online for free? Are you looking for Apple Ipad 2 Instruction Manual PDF? This is definitely going to save you time and cash in something you should think about. If you trying to find then search around for online. Without a doubt there are numerous these available and many of them have the freedom. However without doubt you receive whatever you purchase. An alternate way to get ideas is always to check another Apple Ipad 2 Instruction Manual. This method for see exactly what may be included and adopt these ideas to your book. This site will almost certainly help you save time and effort, money and stress. If you are looking for free books then you really should consider finding to assist you try this. Several of Apple Ipad 2 Instruction Manual are for sale to free while some are payable. If you arent sure if the books you would like to download works with for usage along with your computer, it is possible to download free trials. The free guides make it easy for someone to free access online library for download books to your device. You can get free download

on free trial for lots of books categories. Our library is the biggest of these that have literally hundreds of thousands of different products categories represented. You will also see that there are specific sites catered to different product types or categories, brands or niches related with Apple Ipad 2 Instruction Manual. So depending on what exactly you are searching, you will be able to choose e books to suit your own need. Need to access completely for Campbell Biology Seventh Edition book? Access Ebook without any digging. And by having access to our ebook online or by storing it on your computer, you have convenient answers with Apple Ipad 2 Instruction Manual To get started finding Apple Ipad 2 Instruction Manual, you are right to find our website which has a comprehensive collection of books online. Our library is the biggest of these that have literally hundreds of thousands of different products represented. You will also see that there are specific sites catered to different categories or niches related with Apple Ipad 2 Instruction Manual So depending on what exactly you are searching, you will be able to choose ebook to suit your own need. Thank you for reading Apple Ipad 2 Instruction Manual. Maybe you have knowledge that, people have search numerous times for their favorite readings like this Apple Ipad 2 Instruction Manual, but end up in harmful downloads. Rather than reading a good book with a cup of coffee in the afternoon, instead they juggled with some harmful bugs inside their laptop. Apple Ipad 2 Instruction Manual is available in our book collection an online access to it is set as public so you can download it instantly. Our digital library spans in multiple locations, allowing you to get the most less latency time to download any of our books like this one. Merely said, Apple Ipad 2 Instruction Manual is universally compatible with any devices to read.

Find Apple Ipad 2 Instruction Manual :

blue guide london seventeenth edition blue guides

[bluejacket manual 24th](#)

bloomsburys tax rates and tables 201213 budget edition

~~blood tears and champagne~~

[blood future blood trilogy volume 3](#)

bls for healthcare providers student manual 2011

bloemschikken van week tot week

[blue fingers a ninjas tale](#)

bloomingdales dresses

bls for health care providers instructor manual

[blue revolution unmaking americas water crisis](#)

blood trail a joe pickett novel

~~blue door anatomy lab manual~~
~~bloomingtondales uptown~~
~~blue point multimeter manual~~

Apple Ipad 2 Instruction Manual :

Introduction to Information Systems: 9780073376882 ISBN-10. 0073376884 · ISBN-13. 978-0073376882 · Edition. 16th · Publisher. McGraw Hill · Publication date. January 19, 2012 · Language. English · Dimensions. 7.4 x 1 ... Introduction to Information Systems - Loose Leaf Get the 16e of Introduction to Information Systems - Loose Leaf by George Marakas and James O'Brien Textbook, eBook, and other options. ISBN 9780073376882. Loose Leaf by Marakas, George Published by McGraw-Hill ... Introduction to Information Systems - Loose Leaf by Marakas, George Published by McGraw-Hill/Irwin 16th (sixteenth) edition (2012) Loose Leaf · Book overview. Introduction to Information Systems ... Introduction to Information Systems Introduction to Information Systems (16th Edition). by James A. O'brien, George Marakas Professor. Loose Leaf, 768 Pages ... Introduction to Information Systems 16th edition Introduction to Information Systems 16th Edition is written by Marakas, George; O'Brien, James and published by McGraw-Hill Higher Education. Introduction to Information Systems - Loose Leaf: 16th Edition Title, Introduction to Information Systems - Loose Leaf: 16th Edition. Authors, George Marakas, James O'Brien. Publisher, McGraw-Hill Higher Education, 2012. Introduction to Information Systems - Loose Leaf | Rent Rent Introduction to Information Systems - Loose Leaf 16th edition (978-0073376882) today, or search our site for other textbooks by George Marakas. ISBN 9780073376882 - Introduction to Information Systems Find 9780073376882 Introduction to Information Systems - Loose Leaf 16th Edition by George Marakas at over 30 bookstores. Buy, rent or sell. Introduction to Information Systems - HIGHER ED Introduction to Information Systems - Loose Leaf. 16th Edition. By George Marakas and James O'Brien. © 2013. | Published: January 19, 2012. Introduction to information systems Introduction to information systems ; Authors: George M. Marakas, James A. O'Brien (Author) ; Edition: 16th ed View all formats and editions ; Publisher: McGraw- ... About Quantum Vision System Created by Dr. William Kemp, an eye doctor from Lexington, VA, the Quantum Vision System is declared to be a scientific development that is guaranteed to assist ... Swindles, cons and scams: Don't let your eyes deceive you Oct 18, 2016 — Quantum Vision System bills itself as a tell-all book series that purportedly lifts the veil on how to achieve perfect, 20/20 vision in one ... Ophthalmologist Dr. Kemp Launches 'Quantum Vision' to ... Mar 10, 2015 — Aimed at freeing people from glasses, lenses, and expensive surgeries, this unique system seeks to help those to improve their vision and ... Quantum vision system-20/20 vision in seven days kindly any body can explain in detail what is this quantum vision system and whether it is true to get 20/20 vision in 7 days. Dr Kemp's Quantum Vision System is a scam While I have no doubt that what they're selling is total BS, this article you linked to doesn't actually prove that it is a scam.

Quantum Vision - Documentation Portal Dec 21, 2016 — Quantum Vision. Quantum Vision is a data protection solution that allows you to monitor, analyze, and report on your Quantum backup ... Quantum vision in three dimensions by Y Roth · 2017 · Cited by 4 — In stereoscopic vision, each eye sees a similar but slightly different image. The brain integrates these two images to generate a 3-D image[1]. The ... Quantum Vision System - WordPress.com Quantum Vision System program is concentrate on not only the eye restoration, it provides the solution of eye protection also. This program is very safe and ... Eye Exercises to Improve Vision: Do They Really Work? Jun 16, 2021 — Quantum Health Can Help with Your Eye Health. More than eye training, getting the right nutrients that support eye health is one of the key ways ... Quantum Vision Quantum Vision is a premier provider of business-aligned IT modernization solutions that partners with clients to accelerate and transform mission outcomes. Parent-Advocacy-Services-Agreement.pdf Review of child's educational records by Parent advocate after initial consultation. • Second one hour telephone, in person, or virtual meeting where the Parent ... my-education-advocate-contract-for-services-as-of-3-1- ... Mar 1, 2021 — This contractual agreement serves as a waiver of confidentiality regarding your child's IEP and educational needs. This waiver permits Kristen ... Advocacy Contract Documents If you are interested in our educational advocacy services then please download and complete the above documents. Please contact us for further information. Special Education Advocacy Agreement Advocacy services are charged at a rate of \$150.00 per hour. Services that are billed are: • File Review. • Letter Writing. • Phone appointments with school ... Services - BJR Special Education Advocacy & Consultation I provide advocacy and consultation to families on all aspects of Special Education in accordance with state and federal laws and regulations. Special Ed Advocacy, LLC--Client Service Agreement I Mar 1, 2022 — I. , have willfully enlisted the services of Kathleen Haigh of Special Ed Advocacy, LLC as an educational advocacy coach. Special Education Advocacy Services Agreement Form Special Education Advocacy Services Agreement Form. Check out how easy it is to complete and eSign documents online using fillable templates and a powerful ... Fillable Online Special Education Advocacy Services ... Special Education Advocacy Services Agreement This contract for services agreement is made and entered into on (date) by and between Susan Morning and ... Advocacy Packages This package is highly recommended for parents who are self-advocating on their child's behalf, and are unfamiliar with special education law, 504 ... Agreement for Services - Hawai'i Education Advocates Services Not Covered By This Agreement: Although Hawaii Education Advocates offers skilled advocacy ... special education attorneys. Client's Responsibility: You ...