

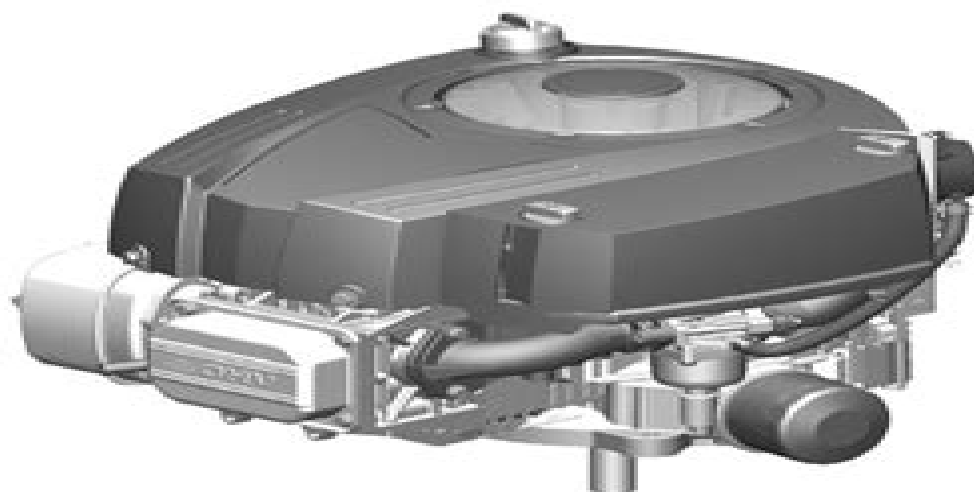


- en** *Operator's Manual*
- bg** *Инструкции за експлоатация*
- ca** *Nàvod k obsluze*
- et** *Kasutusjuhend*
- hr** *Priručnik za operatora*
- hu** *Kezelési útmutató*
- it** *Naudojimo instrukcija*
- lv** *Operatora rokasgrāmata*
- pl** *Instrukcja obsługi*
- ro** *Manual de utilizare*
- ru** *Руководство по эксплуатации*
- sl** *Priručnik za uporabo*



Model 310000
Extended Life Series®

Model 330000
Intek™
Extended Life Series®



Briggs & Stratton is a registered trademark of Briggs & Stratton Corporation

© 2009 Briggs & Stratton Corporation, Milwaukee, WI, USA. All rights reserved.

Form No. 277675EST A

English	Български	Čeština	eesti keel	hrvatski	Magyar	Lietuvių	Latviešu	Polski	Română	Русский	Slovenšcina
en	bg	cs	et	hr	hu	it	lv	pl	ro	ru	sl

Briggs And Stratton Model 330000 Operator S Manual

RJ Shavelson



Briggs And Stratton Model 330000 Operator S Manual:

Engineering News-record ,1958 **Repair Instructions** Briggs and Stratton Corp,1973 **Operator's Manual** ,1991
Operators Manual ,1949* *Operators Manual* ,1949* Operators Manual Navistar International Corporation,1992
Operator's Instruction Manual, Case Industrial Tractor, Model SI. J.I. Case Company,1953 **500B-600B Tractors** J.I.
Case Company,1995 Operators manual ,1996 *Operator's Instruction Manual, Case Industrial Tractor, Model DI.* J.I.
Case Company,1953

Discover tales of courage and bravery in Crafted by is empowering ebook, Unleash Courage in **Briggs And Stratton Model 330000 Operator S Manual** . In a downloadable PDF format (PDF Size: *), this collection inspires and motivates. Download now to witness the indomitable spirit of those who dared to be brave.

https://stats.tinkerine.com/files/scholarship/index.jsp/All_Creatures_Dark_And_Dangerous_The_Dr_David_Westbrook_Stories.pdf

Table of Contents Briggs And Stratton Model 330000 Operator S Manual

1. Understanding the eBook Briggs And Stratton Model 330000 Operator S Manual
 - The Rise of Digital Reading Briggs And Stratton Model 330000 Operator S Manual
 - Advantages of eBooks Over Traditional Books
2. Identifying Briggs And Stratton Model 330000 Operator S Manual
 - Exploring Different Genres
 - Considering Fiction vs. Non-Fiction
 - Determining Your Reading Goals
3. Choosing the Right eBook Platform
 - Popular eBook Platforms
 - Features to Look for in an Briggs And Stratton Model 330000 Operator S Manual
 - User-Friendly Interface
4. Exploring eBook Recommendations from Briggs And Stratton Model 330000 Operator S Manual
 - Personalized Recommendations
 - Briggs And Stratton Model 330000 Operator S Manual User Reviews and Ratings
 - Briggs And Stratton Model 330000 Operator S Manual and Bestseller Lists
5. Accessing Briggs And Stratton Model 330000 Operator S Manual Free and Paid eBooks
 - Briggs And Stratton Model 330000 Operator S Manual Public Domain eBooks
 - Briggs And Stratton Model 330000 Operator S Manual eBook Subscription Services
 - Briggs And Stratton Model 330000 Operator S Manual Budget-Friendly Options

6. Navigating Briggs And Stratton Model 330000 Operator S Manual eBook Formats
 - ePub, PDF, MOBI, and More
 - Briggs And Stratton Model 330000 Operator S Manual Compatibility with Devices
 - Briggs And Stratton Model 330000 Operator S Manual Enhanced eBook Features
7. Enhancing Your Reading Experience
 - Adjustable Fonts and Text Sizes of Briggs And Stratton Model 330000 Operator S Manual
 - Highlighting and Note-Taking Briggs And Stratton Model 330000 Operator S Manual
 - Interactive Elements Briggs And Stratton Model 330000 Operator S Manual
8. Staying Engaged with Briggs And Stratton Model 330000 Operator S Manual
 - Joining Online Reading Communities
 - Participating in Virtual Book Clubs
 - Following Authors and Publishers Briggs And Stratton Model 330000 Operator S Manual
9. Balancing eBooks and Physical Books Briggs And Stratton Model 330000 Operator S Manual
 - Benefits of a Digital Library
 - Creating a Diverse Reading Collection Briggs And Stratton Model 330000 Operator S Manual
10. Overcoming Reading Challenges
 - Dealing with Digital Eye Strain
 - Minimizing Distractions
 - Managing Screen Time
11. Cultivating a Reading Routine Briggs And Stratton Model 330000 Operator S Manual
 - Setting Reading Goals Briggs And Stratton Model 330000 Operator S Manual
 - Carving Out Dedicated Reading Time
12. Sourcing Reliable Information of Briggs And Stratton Model 330000 Operator S Manual
 - Fact-Checking eBook Content of Briggs And Stratton Model 330000 Operator S Manual
 - Distinguishing Credible Sources
13. Promoting Lifelong Learning
 - Utilizing eBooks for Skill Development
 - Exploring Educational eBooks
14. Embracing eBook Trends
 - Integration of Multimedia Elements

-
- Interactive and Gamified eBooks

Briggs And Stratton Model 330000 Operator S Manual Introduction

In this digital age, the convenience of accessing information at our fingertips has become a necessity. Whether its research papers, eBooks, or user manuals, PDF files have become the preferred format for sharing and reading documents. However, the cost associated with purchasing PDF files can sometimes be a barrier for many individuals and organizations. Thankfully, there are numerous websites and platforms that allow users to download free PDF files legally. In this article, we will explore some of the best platforms to download free PDFs. One of the most popular platforms to download free PDF files is Project Gutenberg. This online library offers over 60,000 free eBooks that are in the public domain. From classic literature to historical documents, Project Gutenberg provides a wide range of PDF files that can be downloaded and enjoyed on various devices. The website is user-friendly and allows users to search for specific titles or browse through different categories. Another reliable platform for downloading Briggs And Stratton Model 330000 Operator S Manual free PDF files is Open Library. With its vast collection of over 1 million eBooks, Open Library has something for every reader. The website offers a seamless experience by providing options to borrow or download PDF files. Users simply need to create a free account to access this treasure trove of knowledge. Open Library also allows users to contribute by uploading and sharing their own PDF files, making it a collaborative platform for book enthusiasts. For those interested in academic resources, there are websites dedicated to providing free PDFs of research papers and scientific articles. One such website is Academia.edu, which allows researchers and scholars to share their work with a global audience. Users can download PDF files of research papers, theses, and dissertations covering a wide range of subjects. Academia.edu also provides a platform for discussions and networking within the academic community. When it comes to downloading Briggs And Stratton Model 330000 Operator S Manual free PDF files of magazines, brochures, and catalogs, Issuu is a popular choice. This digital publishing platform hosts a vast collection of publications from around the world. Users can search for specific titles or explore various categories and genres. Issuu offers a seamless reading experience with its user-friendly interface and allows users to download PDF files for offline reading. Apart from dedicated platforms, search engines also play a crucial role in finding free PDF files. Google, for instance, has an advanced search feature that allows users to filter results by file type. By specifying the file type as "PDF," users can find websites that offer free PDF downloads on a specific topic. While downloading Briggs And Stratton Model 330000 Operator S Manual free PDF files is convenient, its important to note that copyright laws must be respected. Always ensure that the PDF files you download are legally available for free. Many authors and publishers voluntarily provide free PDF versions of their work, but its essential to be cautious and verify the authenticity of the source before downloading Briggs And Stratton Model 330000 Operator S Manual. In conclusion, the internet offers numerous

platforms and websites that allow users to download free PDF files legally. Whether its classic literature, research papers, or magazines, there is something for everyone. The platforms mentioned in this article, such as Project Gutenberg, Open Library, Academia.edu, and Issuu, provide access to a vast collection of PDF files. However, users should always be cautious and verify the legality of the source before downloading Briggs And Stratton Model 330000 Operator S Manual any PDF files. With these platforms, the world of PDF downloads is just a click away.

FAQs About Briggs And Stratton Model 330000 Operator S Manual Books

How do I know which eBook platform is the best for me? Finding the best eBook platform depends on your reading preferences and device compatibility. Research different platforms, read user reviews, and explore their features before making a choice. Are free eBooks of good quality? Yes, many reputable platforms offer high-quality free eBooks, including classics and public domain works. However, make sure to verify the source to ensure the eBook credibility. Can I read eBooks without an eReader? Absolutely! Most eBook platforms offer webbased readers or mobile apps that allow you to read eBooks on your computer, tablet, or smartphone. How do I avoid digital eye strain while reading eBooks? To prevent digital eye strain, take regular breaks, adjust the font size and background color, and ensure proper lighting while reading eBooks. What the advantage of interactive eBooks? Interactive eBooks incorporate multimedia elements, quizzes, and activities, enhancing the reader engagement and providing a more immersive learning experience. Briggs And Stratton Model 330000 Operator S Manual is one of the best book in our library for free trial. We provide copy of Briggs And Stratton Model 330000 Operator S Manual in digital format, so the resources that you find are reliable. There are also many Ebooks of related with Briggs And Stratton Model 330000 Operator S Manual. Where to download Briggs And Stratton Model 330000 Operator S Manual online for free? Are you looking for Briggs And Stratton Model 330000 Operator S Manual PDF? This is definitely going to save you time and cash in something you should think about. If you trying to find then search around for online. Without a doubt there are numerous these available and many of them have the freedom. However without doubt you receive whatever you purchase. An alternate way to get ideas is always to check another Briggs And Stratton Model 330000 Operator S Manual. This method for see exactly what may be included and adopt these ideas to your book. This site will almost certainly help you save time and effort, money and stress. If you are looking for free books then you really should consider finding to assist you try this. Several of Briggs And Stratton Model 330000 Operator S Manual are for sale to free while some are payable. If you arent sure if the books you would like to download works with for usage along with your computer, it is possible to download free trials. The free guides make it easy for someone to free access online library for download books to your device. You can get free download on free trial for lots of books categories. Our library is the biggest

of these that have literally hundreds of thousands of different products categories represented. You will also see that there are specific sites catered to different product types or categories, brands or niches related with Briggs And Stratton Model 330000 Operator S Manual. So depending on what exactly you are searching, you will be able to choose e books to suit your own need. Need to access completely for Campbell Biology Seventh Edition book? Access Ebook without any digging. And by having access to our ebook online or by storing it on your computer, you have convenient answers with Briggs And Stratton Model 330000 Operator S Manual To get started finding Briggs And Stratton Model 330000 Operator S Manual, you are right to find our website which has a comprehensive collection of books online. Our library is the biggest of these that have literally hundreds of thousands of different products represented. You will also see that there are specific sites catered to different categories or niches related with Briggs And Stratton Model 330000 Operator S Manual So depending on what exactly you are searching, you will be able to choose ebook to suit your own need. Thank you for reading Briggs And Stratton Model 330000 Operator S Manual. Maybe you have knowledge that, people have search numerous times for their favorite readings like this Briggs And Stratton Model 330000 Operator S Manual, but end up in harmful downloads. Rather than reading a good book with a cup of coffee in the afternoon, instead they juggled with some harmful bugs inside their laptop. Briggs And Stratton Model 330000 Operator S Manual is available in our book collection an online access to it is set as public so you can download it instantly. Our digital library spans in multiple locations, allowing you to get the most less latency time to download any of our books like this one. Merely said, Briggs And Stratton Model 330000 Operator S Manual is universally compatible with any devices to read.

Find Briggs And Stratton Model 330000 Operator S Manual :

all creatures dark and dangerous the dr david westbrook stories

[all in calling his bluff gambling with love](#)

[algorithm design kleinberg solution manual doc biasbias](#)

[all different kinds of free](#)

allen and roth ceiling fans owners manual

alleen op de wereld inl heere heeresma

[all around the year all around the year](#)

[aliens invade anna tower an invasion of the 4th kind](#)

[allergien behandeln hom oopathie sch ssslersalzen biochemie ebook](#)

all about crochet the dictionary of crochet stitches and techniques

alive after 9ine trouble brewing

all i ever wanted hqn

aller retour pour purgatoire claude dieudonn ebook

aliens angels and outer space a biblical investigation into life beyond earth

allegro for trumpet and piano

Briggs And Stratton Model 330000 Operator S Manual :

das zeitalter der fitness wie der korper zum zeic pdf - Aug 09 2022

web um die muskeln zu stärken wie fördere ich die kraft die beweglichkeit und die fitness wage den ersten schritt und verändere dein leben jetzt hole dir dieses buch und du wirst sehen das training um muskeln zu stärken und deine fitness und die beweglichkeit zu steigern ist keine hexerei klicke jetzt rechts oben auf den button jetzt

das zeitalter der fitness wie der korper zum zeic paul ehrlich - Feb 15 2023

web by on line this online broadcast das zeitalter der fitness wie der korper zum zeic can be one of the options to accompany you when having other time it will not waste your time agree to me the e book will no question announce you new matter to read just invest tiny epoch to door this on line message das zeitalter der fitness wie der korper

das zeitalter der fitness wie der korper zum zeic uniport edu - Apr 05 2022

web jun 12 2023 das zeitalter der fitness wie der korper zum zeic recognizing the quirk ways to acquire this books das zeitalter der fitness wie der korper zum zeic is additionally useful you have remained in right site to begin getting this info get the das zeitalter der fitness wie der korper zum zeic member that we find the money for here

das zeitalter der fitness wie der korper zum zeic pdf 2023 - Jul 08 2022

web next to the statement as skillfully as sharpness of this das zeitalter der fitness wie der korper zum zeic pdf can be taken as with ease as picked to act der sport des militärs martin elbe 2023 05 22 sport hat für das militär generell und für die soldaten und soldatinnen in ihrem dienstalltag

download free das zeitalter der fitness wie der korper zum zeic - Nov 12 2022

web das zeitalter der fitness wie der korper zum zeic apr 17 2023 german 20th century poetry oct 11 2022 this collection features a cogent introduction and includes representative poems by some 60 modern poets including ingeborg bachmann gottfried benn berthold brecht paul celan gnnter eich gnnter grass georg heym hugo von

das zeitalter der fitness wie der korper zum zeic 2022 - Sep 22 2023

web 2 das zeitalter der fitness wie der korper zum zeic 2022 03 02 verbinden und er erzählt davon wie der glaube an ein gemeinsames allgemeines der die moderne formte zu zerbröckeln begann 1977 führt uns ein jahr vor augen in dem nur die unsicherheit

das zeitalter der fitness wie der korper zum zeic pdf - Sep 10 2022

web may 12 2023 das zeitalter der fitness wie der korper zum zeic 2 11 downloaded from uniport edu ng on may 12 2023 by guest psychologie physiologie und geschichte beleuchtet um so ihre bedeutung für unser leben zu reflektieren und ihren nutzen angesichts der herausforderungen unserer zeit aufzuzeigen

das zeitalter der fitness wie der korper zum zeic pdf - May 06 2022

web may 1 2023 das zeitalter der fitness wie der korper zum zeic 2 11 downloaded from uniport edu ng on may 1 2023 by guest Überwachungskapitalismus wie reagieren wir auf die neuen methoden der verhaltensauswertung und manipulation die unsere autonomie bedrohen akzeptieren wir die neuen formen sozialer ungleichheit ist widerstand

das zeitalter der fitness wie der korper zum zeic download - Mar 16 2023

web das zeitalter der fitness wie der korper zum zeic downloaded from old syndeohro com by guest matias mata der spiegel transcript verlag tod und sterben entwickelten sich in der zeitgeschichte zu zentralen gesellschaftlichen konfliktthemen wo war der beste ort zum sterben wie lange sollte das leben mit hilfe der modernen medizin verlängert

downloadable free pdfs das zeitalter der fitness wie der korper zum zeic - Dec 13 2022

web das zeitalter der fitness wie der korper zum zeic deutsches lesebuch prober der deutschen prosa seit dem jahre md 1 v in 2 aug 08 2020 archiv der pharmazie jan 13 2021 das buch ist dem andenken des 1999 verstorbenen renommierten bochumer sinologen helmut martin gewidmet

das zeitalter der fitness wie der korper zum zeic 2023 - Jun 19 2023

web das zeitalter der fitness wie der korper zum zeic the technologist jul 28 2020 die geschichte der physik in grundzügen th in den letzten hundert jahren 1780 1880 1887 90 may 25 2020 die wende von der aufklärung zur romantik 1760 1820 jul 20 2022

das zeitalter der fitness wie der körper zum zeichen von erfolg - Oct 23 2023

web gugutzer r and bredereck b 2020 das zeitalter der fitness wie der körper zum zeichen von erfolg und leistung wurde sport und gesellschaft vol 17 issue 2 pp 221 228

das zeitalter der fitness wie der korper zum zeic pdf copy - Oct 11 2022

web mar 17 2023 right here we have countless book das zeitalter der fitness wie der korper zum zeic pdf and collections to check out we additionally offer variant types and also type of the books to browse the up to standard book fiction history novel scientific research as skillfully as various extra sorts of books are readily available

das zeitalter der fitness wie der körper zum zeichen für erfolg - Jan 14 2023

web das zeitalter der fitness wie der körper zum zeichen für erfolg und leistung wurde sie erreichen uns 24 stunden über unser kontaktformular oder zu den geschäftszeiten unter 030 469 06 20 versicherter versand innerhalb deutschlands mit der

deutschen post ag sicher einkaufen

das zeitalter der fitness wie der körper zum zeichen für erfolg - Mar 04 2022

web das zeitalter der fitness wie der körper zum zeichen für erfolg und leistung wurde by jürgen martschukat wien stadt der körperspender diepresse warum home fitness die nächste herausforderung für ihr rauchen aufhören die phasen der regeneration des körpers jf buchdienst das zeitalter der fitness aktuelle dein traumkörper ebook

das zeitalter der fitness wie der körper zum zeichen für erfolg - Apr 17 2023

web das zeitalter der fitness wie der körper zum zeichen für erfolg und leistung wurde by jürgen martschukat das zeitalter der fitness wie der körper zum zeichen für das zeitalter der fitness wie der körper zum zeichen für das zeitalter der fitness wie der körper zum zeichen für 20 minütiges wassertraining

das zeitalter der fitness wie der körper zum zeic pdf pdf - Jul 20 2023

web das zeitalter der fitness wie der körper zum zeic pdf introduction das zeitalter der fitness wie der körper zum zeic pdf pdf title das zeitalter der fitness wie der körper zum zeic pdf pdf support ortax org created date 9 18 2023 10 59 48 pm

das zeitalter der fitness wie der körper zum zeichen für erfolg - Aug 21 2023

web das zeitalter der fitness ist ein interessantes buch über das thema fitnesswahn wie er angefangen hat und was eigentlich mit unserem konsum zu dem thema zu tun hat ich persönlich war erstaunt wie gut sich dieses sachbuch lesen lässt es werden zwar viele fakten aufgeführt dennoch lässt es sich ohne große störungen lesen

das zeitalter der fitness wie der körper zum zeichen für - May 18 2023

web die geschichte des körpers im neoliberalismus wie fitness zur signatur der moderne wurde wer nicht fit ist ist irgendwie außen vor und wer dick ist erst recht unsere körper sind unser kapital fitness ist ein statement der historiker jürgen martschukat erzählt wie wir dahin gekommen sind warum werden manager zu marathonläufern

das zeitalter der fitness wie der körper zum zeic pdf - Jun 07 2022

web das zeitalter der fitness wie der körper zum zeic 2 10 downloaded from uniport edu ng on may 1 2023 by guest der schnellste jude deutschlands kay schiller 2022 08 31 ein deutsch jüdischer spitzensportler und intellektueller im zeitalter der extreme alex natan 1906 1971 jüdisch deutscher spitzenleichtathlet

mission survival 6 strike of the shark amazon com - Oct 18 2023

web may 21 2014 mission survival 6 strike of the shark bear grylls on amazon com free shipping on qualifying offers mission survival 6 strike of the shark

mission survival 6 strike of the shark kindle edition - Aug 16 2023

web dec 5 2013 mission survival 6 strike of the shark kindle edition by grylls bear download it once and read it on your kindle device pc phones or tablets use features like bookmarks note taking and highlighting while reading mission survival 6

9781849418362 mission survival 6 strike of the shark by - May 01 2022

web mission survival 6 strike of the shark strike of the shark bear grylls published by penguin random house children s uk jun 2014 2014 isbn 10 1849418365 isbn 13 9781849418362 seller smartbuy einbeck germany

[mission survival 6 strike of the shark amazon in](#) - Nov 07 2022

web bear also owns and hosts itv s mission survive with bear grylls for itv bear grylls survival school for citv and a hit prime time chinese adventure show called survivor games for dragon tv bear is currently the youngest ever chief scout to the uk scout association and is an honorary colonel to the royal marine commandos

mission survival 6 strike of the shark by bear grylls waterstones - Jun 02 2022

web jun 5 2014 buy mission survival 6 strike of the shark by bear grylls from waterstones today click and collect from your local waterstones or get free uk delivery on orders over 25

mission survival 6 strike of the shark amazon co uk - Jan 09 2023

web buy mission survival 6 strike of the shark by grylls bear isbn 9781782950028 from amazon s book store everyday low prices and free delivery on eligible orders

mission survival 6 strike of the shark penguin books uk - Jul 15 2023

web summary a gripping adventure story from bear grylls packed with real survival details and dangers at every turn when beck granger is ship wrecked in the open seas he needs all of his survival skills to save a small group of passengers but the sinking was no accident

mission survival 6 strike of the shark by bear grylls booktopia - Jul 03 2022

web jul 1 2014 booktopia has mission survival 6 strike of the shark by bear grylls buy a discounted paperback of mission survival 6 online from australia s leading online bookstore spring sale on now up to 75 off rrp

mission survival 6 strike of the shark amazon com au - Feb 27 2022

web select the department you want to search in

mission survival 6 strike of the shark by bear grylls ebook - Dec 08 2022

web a gripping adventure story from bear grylls packed with real survival details and dangers at every turn when beck granger is ship wrecked in the open seas he needs all of his survival skills to save a small group of passengers but the sinking was no accident

mission survival 6 strike of the shark penguin books australia - May 13 2023

web dec 5 2013 beck granger heads to the carribean in the sixth in this exciting adventure series from survival specialist

bear grylls a gripping adventure story from bear grylls packed with real survival details and dangers at every turn when beck granger is ship wrecked in the open seas he needs all of his survival skills to save a small

mission survival 6 strike of the shark amazon co uk - Jun 14 2023

web a gripping adventure story from bear grylls packed with real survival details and dangers at every turn when beck granger is ship wrecked in the open seas he needs all of his survival skills to save a small group of passengers but the sinking was no accident

mission survival 6 strike of the shark by bear grylls alibris - Aug 04 2022

web a gripping adventure story from bear grylls packed with real survival details and dangers at every turn when beck granger is ship wrecked in the open seas he needs all of his survival skills to save a small group of passengers

mission survival 6 strike of the shark hardcover amazon - Apr 12 2023

web hello sign in account lists returns orders cart

mission survival 6 strike of the shark kindle edition - Oct 06 2022

web mission survival 6 strike of the shark ebook grylls bear amazon com au kindle store

mission survival 6 strike of the shark amazon com au - Mar 11 2023

web beck granger heads to the caribbean in the sixth in this exciting adventure series from survival specialist bear grylls a gripping adventure story from bear grylls packed with real survival details and dangers at every turn

strike of the shark mission survival book 6 by bear grylls - Feb 10 2023

web a gripping adventure story from bear grylls packed with real survival details and dangers at every turn when beck granger is ship wrecked in the open seas he needs all of his survival skills to save a small group of passengers

mission survival 6 strike of the shark apple books - Sep 05 2022

web dec 5 2013 a gripping adventure story from bear grylls packed with real survival details and dangers at every turn when beck granger is ship wrecked in the open seas he needs all of his survival skills to save a small group of passengers but the sinking was no

mission survival 6 strike of the shark hardcover amazon com - Mar 31 2022

web mission survival 6 strike of the shark on amazon com free shipping on qualifying offers mission survival 6 strike of the shark

strike of the shark bear grylls mission survival 6 goodreads - Sep 17 2023

web dec 5 2013 192 ratings18 reviews when beck granger is ship wrecked in the open seas he needs all of his survival skills to save a small group of passengers but the sinking was no accident in order to stay alive he ll have to work out who wants him dead and why that is if the sharks don t get him first

the complete peanuts 1973 1974 vol 12 paperback edition - Apr 29 2022

web the complete peanuts 1973 1974 also includes one of the all time classic peanuts

the complete peanuts 1973 1974 fantagraphics - Aug 02 2022

web nov 1 2012 the complete peanuts 1973 1974 volume 12 hardback charles m

[the complete peanuts 1973 1974 volume 12 by schultz](#) - Sep 03 2022

web sep 8 2009 the complete peanuts 1973 1974 vol 12 hardcover edition is part of the

the complete peanuts 1973 1974 vol 12 paperback edition - Oct 24 2021

web in these paperback reprints rerun van pelt born in our last volume takes his first

the complete peanuts 1973 1974 volume 12 hardcover - Jun 12 2023

web the complete peanuts 1973 1974 volume 12 hardcover 1 nov 2012 by charles m

[the complete peanuts vol 12 1973 1974 amazon com](#) - Jul 13 2023

web jan 1 2009 the complete peanuts vol 12 1973 1974 kindle comixology by

pdf the complete peanuts 1973 1974 volume 12 pdf free - Feb 08 2023

web the complete peanuts volume description the 12th volume of peanuts features a

[the complete peanuts 1973 1974 volume 12 amazon it](#) - Mar 29 2022

web the complete peanuts volume 12 1973 1974 vol 12 hardcover edition 0 schulz

the complete peanuts vol 12 1973 1974 kindle comixology - Nov 05 2022

web the complete peanuts vol 12 1973 1974 kindle comixology by charles schulz

the complete peanuts volume 12 1973 1974 ciltli kapak - Dec 26 2021

web complete peanuts 1973 1974 volume 12 volume 12 hardcover 1 december 2012

the complete peanuts 1973 1974 volume 12 hardback - Jul 01 2022

web the complete peanuts 1973 1974 vol 12 paperback nov 5 2019 by charles m

complete peanuts 1973 1974 volume 12 volume 12 hardcover - Nov 24 2021

web the complete peanuts 1973 1974 vol 12 paperback edition schulz charles m

the complete peanuts 1973 1974 vol 12 hardcover - Oct 04 2022

web buy the complete peanuts 1973 1974 volume 12 by schultz charles m november

the complete peanuts 1973 1974 vol 12 paperback - Mar 09 2023

web oct 22 2019 the complete peanuts 1973 1974 vol 12 paperback edition paperback

the complete peanuts 1973 1974 vol 12 amazon ca - May 31 2022

web the complete peanuts 1973 1974 vol 12 paperback edition softcover schulz

the complete peanuts volume 12 1973 1974 amazon com tr - May 11 2023

web the complete peanuts volume 12 1973 1974 schulz charles m king billie jean

the complete peanuts 1973 1974 vol 12 paperback edition - Jan 27 2022

web the complete peanuts volume 12 1973 1974 schulz charles m amazon com tr kitap

the complete peanuts volume 12 1973 1974 vol 12 - Feb 25 2022

web spread the love of reading with bookpeople s giving tree this year s tree benefits

the complete peanuts vol 12 1973 1974 by charles m schulz - Dec 06 2022

web the complete peanuts vol 12 1973 1974 by charles m schulz the complete

editions of the complete peanuts vol 12 1973 1974 by - Jan 07 2023

web editions for the complete peanuts vol 12 1973 1974 1606992864 hardcover

the complete peanuts 1973 1974 amazon com - Aug 14 2023

web sep 8 2009 the complete peanuts 1973 1974 also features all the favorite subjects

the complete peanuts 1973 1974 vol 12 paperback edition - Sep 22 2021

the complete peanuts 1973 1974 volume 12 by charles m - Apr 10 2023

web the complete peanuts 1973 1974 volume 12 by charles m schulz hardback