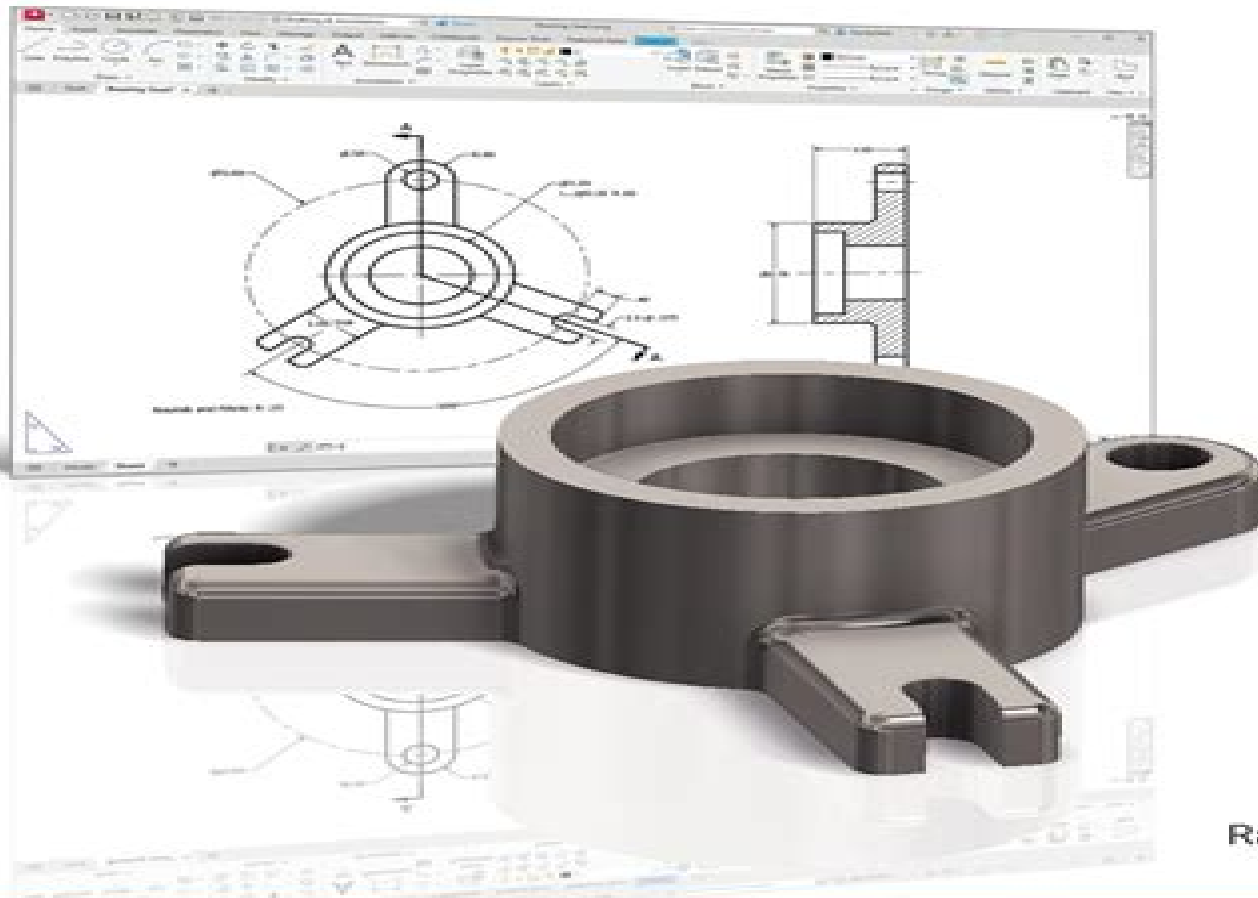


AutoCAD 2026

Tutorial Second Level

3D Modeling



Randy H. Shih

Autocad 2010 Tutorial Second Level 3d Modeling

Randy Shih

A decorative graphic element consisting of a light blue horizontal bar with a rounded right end, and a red circular glow behind it.

Autocad 2010 Tutorial Second Level 3d Modeling:

This book delves into Autocad 2010 Tutorial Second Level 3d Modeling. Autocad 2010 Tutorial Second Level 3d Modeling is a vital topic that must be grasped by everyone, from students and scholars to the general public. This book will furnish comprehensive and in-depth insights into Autocad 2010 Tutorial Second Level 3d Modeling, encompassing both the fundamentals and more intricate discussions.

1. This book is structured into several chapters, namely:
 - Chapter 1: Introduction to Autocad 2010 Tutorial Second Level 3d Modeling
 - Chapter 2: Essential Elements of Autocad 2010 Tutorial Second Level 3d Modeling
 - Chapter 3: Autocad 2010 Tutorial Second Level 3d Modeling in Everyday Life
 - Chapter 4: Autocad 2010 Tutorial Second Level 3d Modeling in Specific Contexts
 - Chapter 5: Conclusion
 2. In chapter 1, this book will provide an overview of Autocad 2010 Tutorial Second Level 3d Modeling. This chapter will explore what Autocad 2010 Tutorial Second Level 3d Modeling is, why Autocad 2010 Tutorial Second Level 3d Modeling is vital, and how to effectively learn about Autocad 2010 Tutorial Second Level 3d Modeling.
 3. In chapter 2, the author will delve into the foundational concepts of Autocad 2010 Tutorial Second Level 3d Modeling. The second chapter will elucidate the essential principles that need to be understood to grasp Autocad 2010 Tutorial Second Level 3d Modeling in its entirety.
 4. In chapter 3, the author will examine the practical applications of Autocad 2010 Tutorial Second Level 3d Modeling in daily life. This chapter will showcase real-world examples of how Autocad 2010 Tutorial Second Level 3d Modeling can be effectively utilized in everyday scenarios.
 5. In chapter 4, the author will scrutinize the relevance of Autocad 2010 Tutorial Second Level 3d Modeling in specific contexts. This chapter will explore how Autocad 2010 Tutorial Second Level 3d Modeling is applied in specialized fields, such as education, business, and technology.
 6. In chapter 5, the author will draw a conclusion about Autocad 2010 Tutorial Second Level 3d Modeling. The final chapter will summarize the key points that have been discussed throughout the book.
- This book is crafted in an easy-to-understand language and is complemented by engaging illustrations. This book is highly recommended for anyone seeking to gain a comprehensive understanding of Autocad 2010 Tutorial Second Level 3d Modeling.

https://stats.tinkerine.com/public/browse/index.jsp/Amazon_Com_Free_Ebooks.pdf

Table of Contents Autocad 2010 Tutorial Second Level 3d Modeling

1. Understanding the eBook Autocad 2010 Tutorial Second Level 3d Modeling
 - The Rise of Digital Reading Autocad 2010 Tutorial Second Level 3d Modeling
 - Advantages of eBooks Over Traditional Books
2. Identifying Autocad 2010 Tutorial Second Level 3d Modeling
 - Exploring Different Genres
 - Considering Fiction vs. Non-Fiction
 - Determining Your Reading Goals
3. Choosing the Right eBook Platform
 - Popular eBook Platforms
 - Features to Look for in an Autocad 2010 Tutorial Second Level 3d Modeling
 - User-Friendly Interface
4. Exploring eBook Recommendations from Autocad 2010 Tutorial Second Level 3d Modeling
 - Personalized Recommendations
 - Autocad 2010 Tutorial Second Level 3d Modeling User Reviews and Ratings
 - Autocad 2010 Tutorial Second Level 3d Modeling and Bestseller Lists
5. Accessing Autocad 2010 Tutorial Second Level 3d Modeling Free and Paid eBooks
 - Autocad 2010 Tutorial Second Level 3d Modeling Public Domain eBooks
 - Autocad 2010 Tutorial Second Level 3d Modeling eBook Subscription Services
 - Autocad 2010 Tutorial Second Level 3d Modeling Budget-Friendly Options
6. Navigating Autocad 2010 Tutorial Second Level 3d Modeling eBook Formats
 - ePub, PDF, MOBI, and More
 - Autocad 2010 Tutorial Second Level 3d Modeling Compatibility with Devices
 - Autocad 2010 Tutorial Second Level 3d Modeling Enhanced eBook Features
7. Enhancing Your Reading Experience
 - Adjustable Fonts and Text Sizes of Autocad 2010 Tutorial Second Level 3d Modeling
 - Highlighting and Note-Taking Autocad 2010 Tutorial Second Level 3d Modeling
 - Interactive Elements Autocad 2010 Tutorial Second Level 3d Modeling

8. Staying Engaged with Autocad 2010 Tutorial Second Level 3d Modeling
 - Joining Online Reading Communities
 - Participating in Virtual Book Clubs
 - Following Authors and Publishers Autocad 2010 Tutorial Second Level 3d Modeling
9. Balancing eBooks and Physical Books Autocad 2010 Tutorial Second Level 3d Modeling
 - Benefits of a Digital Library
 - Creating a Diverse Reading Collection Autocad 2010 Tutorial Second Level 3d Modeling
10. Overcoming Reading Challenges
 - Dealing with Digital Eye Strain
 - Minimizing Distractions
 - Managing Screen Time
11. Cultivating a Reading Routine Autocad 2010 Tutorial Second Level 3d Modeling
 - Setting Reading Goals Autocad 2010 Tutorial Second Level 3d Modeling
 - Carving Out Dedicated Reading Time
12. Sourcing Reliable Information of Autocad 2010 Tutorial Second Level 3d Modeling
 - Fact-Checking eBook Content of Autocad 2010 Tutorial Second Level 3d Modeling
 - Distinguishing Credible Sources
13. Promoting Lifelong Learning
 - Utilizing eBooks for Skill Development
 - Exploring Educational eBooks
14. Embracing eBook Trends
 - Integration of Multimedia Elements
 - Interactive and Gamified eBooks

Autocad 2010 Tutorial Second Level 3d Modeling Introduction

In this digital age, the convenience of accessing information at our fingertips has become a necessity. Whether its research papers, eBooks, or user manuals, PDF files have become the preferred format for sharing and reading documents. However, the cost associated with purchasing PDF files can sometimes be a barrier for many individuals and organizations. Thankfully, there are numerous websites and platforms that allow users to download free PDF files legally. In this article, we will explore some of the best platforms to download free PDFs. One of the most popular platforms to download free PDF files is Project

Gutenberg. This online library offers over 60,000 free eBooks that are in the public domain. From classic literature to historical documents, Project Gutenberg provides a wide range of PDF files that can be downloaded and enjoyed on various devices. The website is user-friendly and allows users to search for specific titles or browse through different categories. Another reliable platform for downloading Autocad 2010 Tutorial Second Level 3d Modeling free PDF files is Open Library. With its vast collection of over 1 million eBooks, Open Library has something for every reader. The website offers a seamless experience by providing options to borrow or download PDF files. Users simply need to create a free account to access this treasure trove of knowledge. Open Library also allows users to contribute by uploading and sharing their own PDF files, making it a collaborative platform for book enthusiasts. For those interested in academic resources, there are websites dedicated to providing free PDFs of research papers and scientific articles. One such website is Academia.edu, which allows researchers and scholars to share their work with a global audience. Users can download PDF files of research papers, theses, and dissertations covering a wide range of subjects. Academia.edu also provides a platform for discussions and networking within the academic community. When it comes to downloading Autocad 2010 Tutorial Second Level 3d Modeling free PDF files of magazines, brochures, and catalogs, Issuu is a popular choice. This digital publishing platform hosts a vast collection of publications from around the world. Users can search for specific titles or explore various categories and genres. Issuu offers a seamless reading experience with its user-friendly interface and allows users to download PDF files for offline reading. Apart from dedicated platforms, search engines also play a crucial role in finding free PDF files. Google, for instance, has an advanced search feature that allows users to filter results by file type. By specifying the file type as "PDF," users can find websites that offer free PDF downloads on a specific topic. While downloading Autocad 2010 Tutorial Second Level 3d Modeling free PDF files is convenient, it's important to note that copyright laws must be respected. Always ensure that the PDF files you download are legally available for free. Many authors and publishers voluntarily provide free PDF versions of their work, but it's essential to be cautious and verify the authenticity of the source before downloading Autocad 2010 Tutorial Second Level 3d Modeling. In conclusion, the internet offers numerous platforms and websites that allow users to download free PDF files legally. Whether it's classic literature, research papers, or magazines, there is something for everyone. The platforms mentioned in this article, such as Project Gutenberg, Open Library, Academia.edu, and Issuu, provide access to a vast collection of PDF files. However, users should always be cautious and verify the legality of the source before downloading Autocad 2010 Tutorial Second Level 3d Modeling any PDF files. With these platforms, the world of PDF downloads is just a click away.

FAQs About Autocad 2010 Tutorial Second Level 3d Modeling Books

How do I know which eBook platform is the best for me? Finding the best eBook platform depends on your reading preferences and device compatibility. Research different platforms, read user reviews, and explore their features before making a choice. Are free eBooks of good quality? Yes, many reputable platforms offer high-quality free eBooks, including classics and public domain works. However, make sure to verify the source to ensure the eBook credibility. Can I read eBooks without an eReader? Absolutely! Most eBook platforms offer webbased readers or mobile apps that allow you to read eBooks on your computer, tablet, or smartphone. How do I avoid digital eye strain while reading eBooks? To prevent digital eye strain, take regular breaks, adjust the font size and background color, and ensure proper lighting while reading eBooks. What the advantage of interactive eBooks? Interactive eBooks incorporate multimedia elements, quizzes, and activities, enhancing the reader engagement and providing a more immersive learning experience. Autocad 2010 Tutorial Second Level 3d Modeling is one of the best book in our library for free trial. We provide copy of Autocad 2010 Tutorial Second Level 3d Modeling in digital format, so the resources that you find are reliable. There are also many Ebooks of related with Autocad 2010 Tutorial Second Level 3d Modeling. Where to download Autocad 2010 Tutorial Second Level 3d Modeling online for free? Are you looking for Autocad 2010 Tutorial Second Level 3d Modeling PDF? This is definitely going to save you time and cash in something you should think about. If you trying to find then search around for online. Without a doubt there are numerous these available and many of them have the freedom. However without doubt you receive whatever you purchase. An alternate way to get ideas is always to check another Autocad 2010 Tutorial Second Level 3d Modeling. This method for see exactly what may be included and adopt these ideas to your book. This site will almost certainly help you save time and effort, money and stress. If you are looking for free books then you really should consider finding to assist you try this. Several of Autocad 2010 Tutorial Second Level 3d Modeling are for sale to free while some are payable. If you arent sure if the books you would like to download works with for usage along with your computer, it is possible to download free trials. The free guides make it easy for someone to free access online library for download books to your device. You can get free download on free trial for lots of books categories. Our library is the biggest of these that have literally hundreds of thousands of different products categories represented. You will also see that there are specific sites catered to different product types or categories, brands or niches related with Autocad 2010 Tutorial Second Level 3d Modeling. So depending on what exactly you are searching, you will be able to choose e books to suit your own need. Need to access completely for Campbell Biology Seventh Edition book? Access Ebook without any digging. And by having access to our ebook online or by storing it on your computer, you have convenient answers with Autocad 2010 Tutorial Second Level 3d Modeling To get started finding Autocad 2010 Tutorial Second Level 3d Modeling, you are right to find our website which has a comprehensive collection of books online. Our library is the biggest of these that have literally hundreds of thousands of

different products represented. You will also see that there are specific sites catered to different categories or niches related with Autocad 2010 Tutorial Second Level 3d Modeling So depending on what exactly you are searching, you will be able to choose ebook to suit your own need. Thank you for reading Autocad 2010 Tutorial Second Level 3d Modeling. Maybe you have knowledge that, people have search numerous times for their favorite readings like this Autocad 2010 Tutorial Second Level 3d Modeling, but end up in harmful downloads. Rather than reading a good book with a cup of coffee in the afternoon, instead they juggled with some harmful bugs inside their laptop. Autocad 2010 Tutorial Second Level 3d Modeling is available in our book collection an online access to it is set as public so you can download it instantly. Our digital library spans in multiple locations, allowing you to get the most less latency time to download any of our books like this one. Merely said, Autocad 2010 Tutorial Second Level 3d Modeling is universally compatible with any devices to read.

Find Autocad 2010 Tutorial Second Level 3d Modeling :

amazon com free ebooks

amazon prime tv stick

amada rg 80 press brake manual

[amana zer manuals](#)

always a bridesmaid three book collection

ambos mundos poesia 1988 2009

amada ae2510 nt manual

[amazon audible books](#)

always faithful always faithful

~~*altima factory service manual*~~

amazon prime ultra hd

[alternative investments instruments performance benchmarks and strategies](#)

[alternative energy systems and applications hodge](#)

altezza rs200 owners manual

~~*amada press brake set up manual*~~

Autocad 2010 Tutorial Second Level 3d Modeling :

aprilia service repair manual download - May 12 2023

web aprilia scarabeo 50 2t download aprilia scarabeo 50 4t 4v download aprilia scarabeo 50 ie 50 100 4t download aprilia scarabeo 50 usa ditech engine download aprilia scarabeo 500 2005 2006 download aprilia sportcity 125 200 2004 2006 download aprilia sportcity 250 i e download aprilia sr 50 1992 2010 download

aprilias scarabeo 50 4t 4v 2009 2012 repair service manual - Sep 04 2022

web whether using a paper manual or manual you ll find the same features in both this manual aprilia scarabeo 50 4t 4v 2009 2010 2011 2012 includes step by step repair procedures critical specifications illustrations or pictures maintenance disassembly assembly cleaning and reinstalling procedures and much more

aprilias scarabeo 50 use maintenance book manualzz - Mar 10 2023

web view online 104 pages or download pdf 4 mb aprilia scarabeo 50 user manual scarabeo 50 cars pdf manual download and more aprilias online manuals

aprilias scarabeo 50 ditech 2002 2005 workshop service manual - Aug 03 2022

web this aprilias scarabeo 50 ditech 2002 2005 workshop service manual mt056432 is an electronic format manual that provides detailed illustrations as well as step by step written instructions with the necessary diagrams or pictures

aprilias scarabeo 50 ditech 2005 repair service manual - Feb 26 2022

web with this professional quality highly detailed aprilias scarabeo 50 ditech 2005 service repair workshop manual you will be able to work on your vehicle with the absolute best resources available which will save you a lot of money in repair costs and will also help you to look after your aprilias scarabeo 50 ditech 2005

aprilias scarabeo 50 use maintenance book manualslib - Apr 11 2023

web view and download aprilias scarabeo 50 use maintenance book online scarabeo 50 scooter pdf manual download *aprilias scarabeo user manual pdf download manualslib* - Feb 09 2023

web view and download aprilias scarabeo user manual online 125 i e 200 i e scarabeo scooter pdf manual download

aprilias scarabeo 50 2t service repair manual emanualonline - Nov 06 2022

web buy now pdf 1 41 mb preview serviceaprilias com workshopmanual scarabeo 50 2t pa c421m 1315 6 01 2006 00 8104991 uk downloaded from manualslib com manuals search engine update 2 1 scarabeo 50 2t pa c421m update 2 downloaded from manualslib com manuals search engine update 2 2 scarabeo 50 2t pa

aprilias scarabeo 50 ditech 2002 2005 full service manual - Oct 05 2022

web this aprilias scarabeo 50 ditech 2002 2005 full service manual mt000370 is an electronic format that can be easily printed out for use it contains detailed illustrations and step by step instructions with diagrams and pictures to help you with any repair or maintenance procedure

aprilias scarabeo 50 manuals manualslib - Jun 13 2023

web we have 8 aprilia scarabeo 50 manuals available for free pdf download manual use maintenance book use and maintenance manual brochure aprilia scarabeo 50 manual 93 pages brand aprilia category motorcycle size 4 67 mb
aprilia scarabeo 50 ditech 2003 service repair manual pdf - Jul 02 2022

web this aprilia scarabeo 50 ditech 2003 service repair manual pdf mt058203 is an electronic format that can be used to diagnose and repair your vehicle it contains detailed instructions illustrations diagrams and specifications to help you repair and maintain your aprilia scarabeo 50 ditech 2003

aprilia scarabeo 50 ditech 2003 repair service manual pdf - Dec 27 2021

web this aprilia scarabeo 50 ditech 2003 repair service manual pdf mt062717 is a comprehensive and detailed guide to servicing and repairing your aprilia scarabeo 50 ditech 2003 it contains detailed illustrations diagrams and instructions as well as step by step written instructions with the necessary diagrams or pictures

aprilia scarabeo 50 100 4t service repair manual bitmanual - Jan 08 2023

web tags aprilia scarabeo 50 100 4t starter cooling system suspension air bags brakes air conditioner 4 cylinder diagnose repair manual battery timing belt steering shop manual air filter change oil 6 cylinder coolant engine alternator spark plugs radiator service manual troubleshooting

aprilia scarabeo 50 2t2006 workshop manual pdf - Jul 14 2023

web view and download aprilia scarabeo 50 2t2006 workshop manual online scarabeo 50 2t2006 scooter pdf manual download also for pa c421m

aprilia scarabeo 50 ditech 2002 2005 repair service manual - Dec 07 2022

web this manual covers the repair and overhaul of aprilia scarabeo 50 ditech 2002 2003 2004 2005 cars and assumes that the technician is fully conversant with general automobile practices the repair procedures outlined in this manual emphasize the special aspects of

aprilia scarabeo 50 2000 2001 service repair manual mt027496 - Mar 30 2022

web this aprilia scarabeo 50 2000 2001 service repair manual mt027496 is the perfect solution for diy mechanics and experienced technicians alike it contains detailed illustrations step by step instructions and all the necessary diagrams to help you repair and maintain your vehicle this manual is an inexpensive way to keep your car running

aprilia scarabeo 50 ie 100 4t digital workshop repair manual - Jun 01 2022

web aug 27 2020 scarabeo 50 i e 50 100 4t checking the pick up using an ohmmeter tester check the resistance values between the two terminals from the pick up side correct value 385 Ω 20

aprilia scarabeo 50 i e 50 4t workshop manual - Aug 15 2023

web view and download aprilia scarabeo 50 i e 50 4t workshop manual online scarabeo 50 i e 50 4t scooter pdf manual

download also for scarabeo 50 i e 100 4t

aprilia scarabeo 50 ditech 2003 service repair manual - Jan 28 2022

web aprilia scarabeo 50 ditech 2003 factory service repair manual this is the complete official full factory service repair manual for aprilia scarabeo 50 ditech 2003 hundreds of pages allow you to print it out in its entirety or just the pages you need

[aprilia scarabeo 50 ditech 2004 service repair manual](#) - Apr 30 2022

web aprilia scarabeo 50 ditech 2004 factory service repair manual this is the complete official full factory service repair manual for aprilia scarabeo 50 ditech 2004 hundreds of pages allow you to print it out in its entirety or just the pages you need

[bajo misma estrella fault abebooks](#) - Sep 03 2022

web discover bajo la misma estrella spanish edition book an intriguing read explore bajo la misma estrella spanish edition in z library and find free summary reviews read

bajo la misma estrella spanish edition amazon com - Aug 14 2023

web oct 16 2014 mass market paperback 21 30 other new and used from 11 04 bajo la misma estrella es la novela que ha catapultado a john green al éxito una historia que

[bajo la misma estrella spanish edition kindle edition](#) - Oct 24 2021

bajo la misma estrella spanish edition amazon com - Jul 13 2023

web bajo la misma estrella novela escrita por john green narra el drama de amor melancólico que tienen que vivir sentir y padecer dos jóvenes condenados por el

[bajo la misma estrella inglés com](#) - Nov 24 2021

web bajo la misma estrella spanish edition ebook green john sobregués arias noemí amazon in kindle store

bajo misma estrella abebooks - May 31 2022

web select the department you want to search in

[read ebook bajo la misma estrella spanish edition full pdf](#) - Feb 25 2022

web translate bajo la misma estrella see authoritative translations of bajo la misma estrella in english with example sentences and audio pronunciations learn spanish

[bajo la misma estrella spanish edition kindle edition](#) - Dec 06 2022

web bajo la misma estrella es la novela que ha catapultado a john green al éxito una historia que explora cuán exquisita y trágica puede ser la aventura de saberse vivo y querer a

[amazon co uk bajo la misma estrella](#) - Apr 29 2022

web bajo la misma estrella spanish edition ebook green john sobregués arias noemí amazon in kindle store

traducción de bajo la misma estrella en inglés reverso context - Dec 26 2021

web traduce bajo la misma estrella usando traductores automáticos ver traducciones automáticas palabra al azar tirar los dados y aprender una palabra nueva ahora

bajo la misma estrella the fault in our stars spanish edition - May 11 2023

web bajo la misma estrella the fault in our stars spanish edition tapa blanda 23 abril 2019 edición en español de john green author

[bajo la misma estrella spanish edition kindle edition](#) - Jun 12 2023

web jun 7 2012 bajo la misma estrella es la novela que ha catapultado a john green al éxito una historia que explora cuán exquisita y trágica puede ser la aventura de

bajo la misma estrella spanish edition kindle edition - Mar 09 2023

web bajo la misma estrella es la novela que ha catapultado a john green al éxito una historia que explora cuán exquisita y trágica puede ser la aventura de saberse vivo y querer a

book bajo la misma estrella the fault in our stars spanish edition - Jul 01 2022

web bajo la misma estrella spanish edition by john green and a great selection of related books art and collectibles available now at abebooks com

[bajo la misma estrella spanish edition amazon com](#) - Apr 10 2023

web bajo la misma estrella es la novela que ha catapultado a john green al éxito una historia que explora cuán exquisita y trágica puede ser la aventura de saberse vivo y querer a

bajo la misma estrella spanish edition ebook kindle - Oct 04 2022

web bajo la misma estrella the fault in our stars spanish edition by john green and a great selection of related books art and collectibles available now at abebooks com

bajo la misma estrella spanish edition format kindle amazon fr - Nov 05 2022

web edição espanhol por john green autor noemí sobregués arias tradutor formato ebook kindle 1 601 avaliações de clientes ver todos os formatos e edições kindle r

bajo la misma estrella spanish edition book online z library - Aug 02 2022

web destino amsterdam el lugar donde reside el enigmático y malhumorado escritor la única persona que tal vez pueda ayudarles a ordenar las piezas del enorme puzle del que

bajo la misma estrella spanish to english translation - Jan 27 2022

web el video cuenta con breves clips de bajo la misma estrella establecidos para la canción así como el texto en pantalla escrito en el estilo de la portada del libro y cartel de la

[bajo la misma estrella abebooks](#) - Feb 08 2023

web bajo la misma estrella the fault in our stars spanish edition by john green and a great selection of related books art and collectibles available now at abebooks com

bajo la misma estrella spanish edition kindle edition amazon in - Mar 29 2022

web pdf download bajo la misma estrella spanish edition ebook read online link read download and more info bbookstored com 0804171084 download bajo

bajo la misma estrella spanish edition softcover abebooks - Jan 07 2023

web about this title about this edition bajo la misma estrella novela escrita por john green narra el drama de amor melancólico que tienen que vivir sentir y padecer dos jóvenes

langenscheidt großes schulwörterbuch lateinisch deutsch - Apr 04 2023

web langenscheidt großes schulwörterbuch lateinisch deutsch klausurausgabe buch mit online anbindung lateinisch deutsch langenscheidt große schulwörterbücher

langenscheidt schulwörterbuch latein lateinisch d copy - Apr 23 2022

web langenscheidt schulwörterbuch latein lateinisch d 1 langenscheidt schulwörterbuch latein lateinisch d this is likewise one of the factors by obtaining

langenscheidt premium schulwörterbuch latein lateinisch - Jul 07 2023

web langenscheidt premium schulwörterbuch latein lateinisch deutsch deutsch lateinisch langenscheidt premium schulwörterbücher langenscheidt redaktion

[langenscheidt latein deutsch wörterbuch Übersetzung](#) - Jul 27 2022

web es enthält den gesamten lernwortschatz aller relevanten lehrwerke in bewährter langenscheidt qualität sowohl klassisches latein als auch alle wichtigen mittel und

langenscheidt universal wörterbuch latein - Dec 20 2021

web langenscheidt universal wörterbuch latein lateinisch deutsch deutsch lateinisch das universal wörterbuch latein bietet grundlegenden wortschatz für den leichten

langenscheidt großes schulwörterbuch lateinisch deutsch - Sep 28 2022

web die neuauflage des großen schulwörterbuchs lateinisch deutsch klausur in bewährter qualität und neuem layout ideal für klausuren enthält alles was in der abiturprüfung

[langenscheidt großes schulwörterbuch lateinisch](#) - Feb 02 2023

web die neuausgabe des großen schulwörterbuchs lateinisch deutsch klausur in bewährter qualität und neuem layout ideal für klausuren enthält alles was in der abiturprüfung

[langenscheidt schulwörterbuch latein lateinisch](#) - Sep 09 2023

web als langjähriger gymnasiallehrer für latein kann ich dieses wörterbuch allen schülerinnen und schülern nur wärmstens empfehlen es gibt zur zeit kein besseres schulwörterbuch

langenscheidt schulwörterbuch latein lateinisch d copy - Jun 25 2022

web langenscheidt schulwörterbuch latein mit info fenstern zu wortschatz römischem leben redaktion langenscheidt 2017 06 09 das schulwörterbuch latein bietet den

langenscheidt schulwörterbuch latein latein süd - Feb 19 2022

web langenscheidt schulwörterbuch latein mit rund 40 000 stichwörtern und wendungen handlich und übersichtlich für blitzschnelles nachschlagen wortschatz der wichtigsten

app langenscheidt schule wörterbuch latein latein süd - Nov 30 2022

web süd westeuropa latein app langenscheidt schule wörterbuch latein app langenscheidt schule wörterbuch latein jetzt 30 tage gratis testen ob in der

langenscheidt abitur wörterbuch latein latein deutsch - Oct 30 2022

web langenscheidt abitur wörterbuch latein latein deutsch mit wörterbuch app amazon de bücher neuer kunde starte hier bücher schule lernen

[latein lernen latein auffrischen langenscheidt](#) - Nov 18 2021

web app langenscheidt schule wörterbuch latein gratis veni vidi vici mit dem richtigen latein wörterbuch vokabeltrainer oder go smart fächer wird der nächste lateintest

langenscheidt großes schulwörterbuch plus latein - Aug 08 2023

web das große schulwörterbuch plus latein ideal für alle lateinschüler bis zum latinum es bietet rund 90 000 stichwörter und wendungen den wortschatz der wichtigen

[langenscheidt schulwörterbuch latein lateinisch d 2022](#) - May 25 2022

web großes schulwörterbuch lateinisch deutsch langenscheidt schulwörterbuch latein lateinisch d downloaded from old syndeohro com by guest danielle farmer

langenscheidt schulwörterbuch pro latein amazon de - Jun 06 2023

web langenscheidt schulwörterbuch pro latein buch mit online anbindung lateinisch deutsch deutsch lateinisch langenscheidt schulwörterbücher pro

langenscheidt großes schulwörterbuch lateinisch latein süd - Oct 10 2023

web lateinisch deutsch mit online wörterbuch die neuausgabe des großen schulwörterbuchs lateinisch deutsch klausur in bewährter qualität und neuem layout

langenscheidt großes schulwörterbuch lateinisch deutsch - Mar 03 2023

web das langenscheidt große schulwörterbuch lateinisch deutsch klausurausgabe ist ein unverzichtbares werkzeug für alle schülerinnen und schüler die latein lernen das

langenscheidt schulwörterbuch latein thalia - Jan 01 2023

web langenscheidt schulwörterbuch latein mit rund 40 000 stichwörtern und wendungen handlich und übersichtlich für blitzschnelles nachschlagen wortschatz der wichtigsten

schulwörterbuch langenscheidt - Jan 21 2022

web das handliche wörterbuch für die schule mit wörterbuch app für schüler ab klasse 5 gibt s für englisch französisch latein oder spanisch mehr erfahren

langenscheidt schulwörterbuch latein lateinisch d - Mar 23 2022

web langenscheidt schulwörterbuch latein lateinisch d langenscheidt schulwörterbuch latein lateinisch d 2 downloaded from pivotid uvu edu on 2018 12 26 by guest erich

langenscheidt schulwörterbuch latein amazon de - May 05 2023

web optimal für die schule das handliche latein wörterbuch eignet sich ideal zum Übersetzen und verstehen für den lateinunterricht der sekundarstufe i klassiker wortschatz das

langenscheidt deutsch latein wörterbuch Übersetzung - Aug 28 2022

web caesar in der hoesentasche egal ob zu hause oder unterwegs haben sie die sprache caesars immer dabei das langenscheidt deutsch latein online wörterbuch können