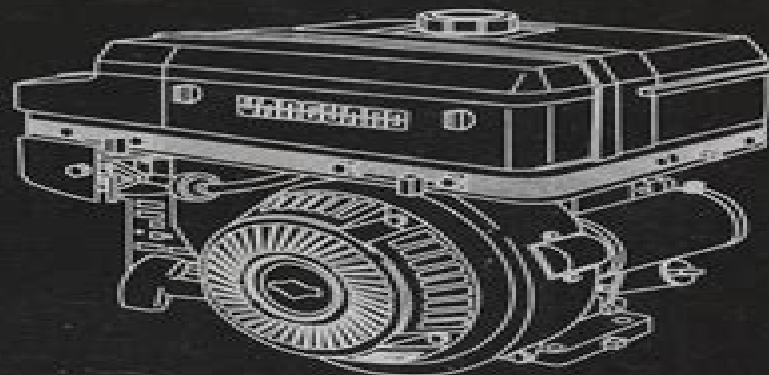
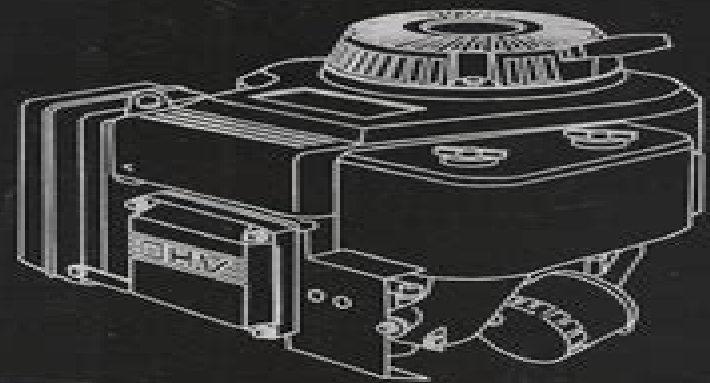
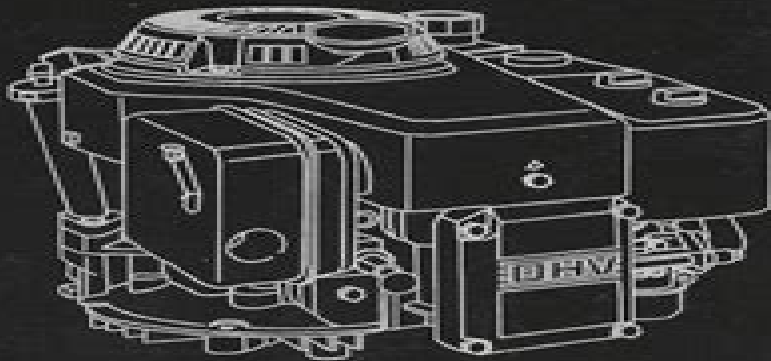




**VANGUARD**

# ***Repair Manual***

***For Single Cylinder OHV Engines***



# Briggs And Stratton Model 90000 Repair Manual

**M Carnoy**



**Briggs And Stratton Model 90000 Repair Manual:**

Small Air-cooled Engine Service Manual, 1990-1994 ,1995 Previously published as one volume under same title

**Moody's Manual of Investments** John Sherman Porter,1937 American government securities 1928 53 in 5 annual vols  
v 1 Railroad securities 1952 53 Transportation v 2 Industrial securities v 3 Public utility securities v 4 Government securities  
1928 54 v 5 Banks insurance companies investment trusts real estate finance and credit companies 1928 54 **Briggs and  
Stratton Service and Repair Manual** ,1977 Moody's Industrial Manual ,1959 The Iron Age ,1929 Moody's  
Municipal & Government Manual ,1934 Iron Age and Hardware, Iron and Industrial Reporter ,1929 **Iron Trade  
Review** ,1919 Constructor ,1984 **Repair Instructions** Briggs and Stratton Corp,1973

This Enthralling Realm of Kindle Books: A Thorough Guide Revealing the Benefits of E-book Books: A Realm of Convenience and Flexibility Kindle books, with their inherent mobility and simplicity of access, have liberated readers from the limitations of hardcopy books. Gone are the days of lugging cumbersome novels or carefully searching for particular titles in bookstores. E-book devices, sleek and portable, seamlessly store an wide library of books, allowing readers to indulge in their preferred reads whenever, everywhere. Whether commuting on a bustling train, lounging on a sunny beach, or simply cozying up in bed, Kindle books provide an unparalleled level of ease. A Reading Universe Unfolded: Discovering the Wide Array of E-book Briggs And Stratton Model 90000 Repair Manual Briggs And Stratton Model 90000 Repair Manual The Kindle Store, a virtual treasure trove of literary gems, boasts an wide collection of books spanning diverse genres, catering to every readers taste and preference. From gripping fiction and mind-stimulating non-fiction to classic classics and contemporary bestsellers, the E-book Store offers an unparalleled variety of titles to explore. Whether seeking escape through immersive tales of fantasy and exploration, diving into the depths of past narratives, or broadening ones knowledge with insightful works of science and philosophical, the Kindle Store provides a gateway to a bookish world brimming with endless possibilities. A Revolutionary Factor in the Literary Landscape: The Enduring Influence of E-book Books Briggs And Stratton Model 90000 Repair Manual The advent of Kindle books has certainly reshaped the literary scene, introducing a paradigm shift in the way books are released, disseminated, and consumed. Traditional publication houses have embraced the online revolution, adapting their approaches to accommodate the growing need for e-books. This has led to a rise in the availability of E-book titles, ensuring that readers have access to a wide array of literary works at their fingers. Moreover, Kindle books have democratized entry to literature, breaking down geographical barriers and offering readers worldwide with similar opportunities to engage with the written word. Irrespective of their location or socioeconomic background, individuals can now engross themselves in the captivating world of literature, fostering a global community of readers. Conclusion: Embracing the Kindle Experience Briggs And Stratton Model 90000 Repair Manual Kindle books Briggs And Stratton Model 90000 Repair Manual, with their inherent ease, versatility, and wide array of titles, have certainly transformed the way we experience literature. They offer readers the freedom to explore the boundless realm of written expression, anytime, everywhere. As we continue to travel the ever-evolving digital scene, Kindle books stand as testament to the lasting power of storytelling, ensuring that the joy of reading remains reachable to all.

[https://stats.tinkerine.com/book/publication/fetch.php/Amish\\_Christmas\\_Boxed\\_Becca\\_Fisher.pdf](https://stats.tinkerine.com/book/publication/fetch.php/Amish_Christmas_Boxed_Becca_Fisher.pdf)

## **Table of Contents Briggs And Stratton Model 90000 Repair Manual**

1. Understanding the eBook Briggs And Stratton Model 90000 Repair Manual
  - The Rise of Digital Reading Briggs And Stratton Model 90000 Repair Manual
  - Advantages of eBooks Over Traditional Books
2. Identifying Briggs And Stratton Model 90000 Repair Manual
  - Exploring Different Genres
  - Considering Fiction vs. Non-Fiction
  - Determining Your Reading Goals
3. Choosing the Right eBook Platform
  - Popular eBook Platforms
  - Features to Look for in an Briggs And Stratton Model 90000 Repair Manual
  - User-Friendly Interface
4. Exploring eBook Recommendations from Briggs And Stratton Model 90000 Repair Manual
  - Personalized Recommendations
  - Briggs And Stratton Model 90000 Repair Manual User Reviews and Ratings
  - Briggs And Stratton Model 90000 Repair Manual and Bestseller Lists
5. Accessing Briggs And Stratton Model 90000 Repair Manual Free and Paid eBooks
  - Briggs And Stratton Model 90000 Repair Manual Public Domain eBooks
  - Briggs And Stratton Model 90000 Repair Manual eBook Subscription Services
  - Briggs And Stratton Model 90000 Repair Manual Budget-Friendly Options
6. Navigating Briggs And Stratton Model 90000 Repair Manual eBook Formats
  - ePub, PDF, MOBI, and More
  - Briggs And Stratton Model 90000 Repair Manual Compatibility with Devices
  - Briggs And Stratton Model 90000 Repair Manual Enhanced eBook Features
7. Enhancing Your Reading Experience
  - Adjustable Fonts and Text Sizes of Briggs And Stratton Model 90000 Repair Manual
  - Highlighting and Note-Taking Briggs And Stratton Model 90000 Repair Manual
  - Interactive Elements Briggs And Stratton Model 90000 Repair Manual
8. Staying Engaged with Briggs And Stratton Model 90000 Repair Manual

- Joining Online Reading Communities
  - Participating in Virtual Book Clubs
  - Following Authors and Publishers Briggs And Stratton Model 90000 Repair Manual
9. Balancing eBooks and Physical Books Briggs And Stratton Model 90000 Repair Manual
- Benefits of a Digital Library
  - Creating a Diverse Reading Collection Briggs And Stratton Model 90000 Repair Manual
10. Overcoming Reading Challenges
- Dealing with Digital Eye Strain
  - Minimizing Distractions
  - Managing Screen Time
11. Cultivating a Reading Routine Briggs And Stratton Model 90000 Repair Manual
- Setting Reading Goals Briggs And Stratton Model 90000 Repair Manual
  - Carving Out Dedicated Reading Time
12. Sourcing Reliable Information of Briggs And Stratton Model 90000 Repair Manual
- Fact-Checking eBook Content of Briggs And Stratton Model 90000 Repair Manual
  - Distinguishing Credible Sources
13. Promoting Lifelong Learning
- Utilizing eBooks for Skill Development
  - Exploring Educational eBooks
14. Embracing eBook Trends
- Integration of Multimedia Elements
  - Interactive and Gamified eBooks

### **Briggs And Stratton Model 90000 Repair Manual Introduction**

In this digital age, the convenience of accessing information at our fingertips has become a necessity. Whether its research papers, eBooks, or user manuals, PDF files have become the preferred format for sharing and reading documents. However, the cost associated with purchasing PDF files can sometimes be a barrier for many individuals and organizations. Thankfully, there are numerous websites and platforms that allow users to download free PDF files legally. In this article, we will explore some of the best platforms to download free PDFs. One of the most popular platforms to download free PDF files is Project Gutenberg. This online library offers over 60,000 free eBooks that are in the public domain. From classic literature to

historical documents, Project Gutenberg provides a wide range of PDF files that can be downloaded and enjoyed on various devices. The website is user-friendly and allows users to search for specific titles or browse through different categories. Another reliable platform for downloading Briggs And Stratton Model 90000 Repair Manual free PDF files is Open Library. With its vast collection of over 1 million eBooks, Open Library has something for every reader. The website offers a seamless experience by providing options to borrow or download PDF files. Users simply need to create a free account to access this treasure trove of knowledge. Open Library also allows users to contribute by uploading and sharing their own PDF files, making it a collaborative platform for book enthusiasts. For those interested in academic resources, there are websites dedicated to providing free PDFs of research papers and scientific articles. One such website is Academia.edu, which allows researchers and scholars to share their work with a global audience. Users can download PDF files of research papers, theses, and dissertations covering a wide range of subjects. Academia.edu also provides a platform for discussions and networking within the academic community. When it comes to downloading Briggs And Stratton Model 90000 Repair Manual free PDF files of magazines, brochures, and catalogs, Issuu is a popular choice. This digital publishing platform hosts a vast collection of publications from around the world. Users can search for specific titles or explore various categories and genres. Issuu offers a seamless reading experience with its user-friendly interface and allows users to download PDF files for offline reading. Apart from dedicated platforms, search engines also play a crucial role in finding free PDF files. Google, for instance, has an advanced search feature that allows users to filter results by file type. By specifying the file type as "PDF," users can find websites that offer free PDF downloads on a specific topic. While downloading Briggs And Stratton Model 90000 Repair Manual free PDF files is convenient, it's important to note that copyright laws must be respected. Always ensure that the PDF files you download are legally available for free. Many authors and publishers voluntarily provide free PDF versions of their work, but it's essential to be cautious and verify the authenticity of the source before downloading Briggs And Stratton Model 90000 Repair Manual. In conclusion, the internet offers numerous platforms and websites that allow users to download free PDF files legally. Whether it's classic literature, research papers, or magazines, there is something for everyone. The platforms mentioned in this article, such as Project Gutenberg, Open Library, Academia.edu, and Issuu, provide access to a vast collection of PDF files. However, users should always be cautious and verify the legality of the source before downloading Briggs And Stratton Model 90000 Repair Manual any PDF files. With these platforms, the world of PDF downloads is just a click away.

### **FAQs About Briggs And Stratton Model 90000 Repair Manual Books**

How do I know which eBook platform is the best for me? Finding the best eBook platform depends on your reading

preferences and device compatibility. Research different platforms, read user reviews, and explore their features before making a choice. Are free eBooks of good quality? Yes, many reputable platforms offer high-quality free eBooks, including classics and public domain works. However, make sure to verify the source to ensure the eBook credibility. Can I read eBooks without an eReader? Absolutely! Most eBook platforms offer webbased readers or mobile apps that allow you to read eBooks on your computer, tablet, or smartphone. How do I avoid digital eye strain while reading eBooks? To prevent digital eye strain, take regular breaks, adjust the font size and background color, and ensure proper lighting while reading eBooks. What the advantage of interactive eBooks? Interactive eBooks incorporate multimedia elements, quizzes, and activities, enhancing the reader engagement and providing a more immersive learning experience. Briggs And Stratton Model 90000 Repair Manual is one of the best book in our library for free trial. We provide copy of Briggs And Stratton Model 90000 Repair Manual in digital format, so the resources that you find are reliable. There are also many Ebooks of related with Briggs And Stratton Model 90000 Repair Manual. Where to download Briggs And Stratton Model 90000 Repair Manual online for free? Are you looking for Briggs And Stratton Model 90000 Repair Manual PDF? This is definitely going to save you time and cash in something you should think about. If you trying to find then search around for online. Without a doubt there are numerous these available and many of them have the freedom. However without doubt you receive whatever you purchase. An alternate way to get ideas is always to check another Briggs And Stratton Model 90000 Repair Manual. This method for see exactly what may be included and adopt these ideas to your book. This site will almost certainly help you save time and effort, money and stress. If you are looking for free books then you really should consider finding to assist you try this. Several of Briggs And Stratton Model 90000 Repair Manual are for sale to free while some are payable. If you arent sure if the books you would like to download works with for usage along with your computer, it is possible to download free trials. The free guides make it easy for someone to free access online library for download books to your device. You can get free download on free trial for lots of books categories. Our library is the biggest of these that have literally hundreds of thousands of different products categories represented. You will also see that there are specific sites catered to different product types or categories, brands or niches related with Briggs And Stratton Model 90000 Repair Manual. So depending on what exactly you are searching, you will be able to choose e books to suit your own need. Need to access completely for Campbell Biology Seventh Edition book? Access Ebook without any digging. And by having access to our ebook online or by storing it on your computer, you have convenient answers with Briggs And Stratton Model 90000 Repair Manual To get started finding Briggs And Stratton Model 90000 Repair Manual, you are right to find our website which has a comprehensive collection of books online. Our library is the biggest of these that have literally hundreds of thousands of different products represented. You will also see that there are specific sites catered to different categories or niches related with Briggs And Stratton Model 90000 Repair Manual So depending on what exactly you are searching, you will be able



to choose ebook to suit your own need. Thank you for reading Briggs And Stratton Model 90000 Repair Manual. Maybe you have knowledge that, people have search numerous times for their favorite readings like this Briggs And Stratton Model 90000 Repair Manual, but end up in harmful downloads. Rather than reading a good book with a cup of coffee in the afternoon, instead they juggled with some harmful bugs inside their laptop. Briggs And Stratton Model 90000 Repair Manual is available in our book collection an online access to it is set as public so you can download it instantly. Our digital library spans in multiple locations, allowing you to get the most less latency time to download any of our books like this one. Merely said, Briggs And Stratton Model 90000 Repair Manual is universally compatible with any devices to read.

### **Find Briggs And Stratton Model 90000 Repair Manual :**

~~amish christmas boxed becca fisher~~

**among trees again evaleen stein**

**american macrobiotic cuisine american macrobiotic cuisine**

american originals cupcake maker instruction manual

american short story handbook american short story handbook

american wholesale book company

amistad a long road to freedom a thirst for freedom

**american range appliance manual**

**american nervousness 1903 an anecdotal history**

ammonia ref manuals

**amors wirrungen liebesgedichte melanie nagel ebook**

american newspaper comics an encyclopedic reference guide

amish bride amish romance the torn series book 2

~~american romanticism greenhaven press companion to literary movements and genres~~

amic del meu pare paraguay

### **Briggs And Stratton Model 90000 Repair Manual :**

**free pdf download geometrie der raumzeit eine mathematische einfuhr** - Oct 06 2022

web geometrie der raumzeit eine mathematische einfuhr tutorial allgemeine relativitätstheorie apr 12 2022 das vorliegende tutorial art ist die ideale hilfe und begleitung zur vorlesung allgemeine relativitätstheorie dieses lehrbuch richtet sich an

studierende die eine vorlesung zur art

*geometrie der raumzeit eine mathematische einfuhr pdf* - Sep 05 2022

web axiomatik der relativistischen raum zeit lehre philosophie der raum zeit lehre die lehren von raum zeit und mathematik in der neueren philosophie nach ihrem ganzen einfluss dargestellt und beurtheilt hermann weyl s raum zeit materie and a general introduction to his scientific work geometrie der raumzeit eine mathematische

**geometrie der raumzeit eine mathematische einführung in die** - Feb 27 2022

web geometrie der raumzeit eine mathematische einführung in die relativitätstheorie by rainer oloff die maxwellschen gleichungen und ihre relativistische inhaltsverzeichnis vorwort eröffnungsansprache hauptvortrage allgemeine mechanik vorlesungsskript 20190829staatsschutz ermittelt in jena gegen die protokoll neurodeterminismus

geometrie der raumzeit eine mathematische einfuhr hermann - May 13 2023

web broadcast geometrie der raumzeit eine mathematische einfuhr that you are looking for it will unconditionally squander the time however below with you visit this web page it will be as a result very easy to acquire as capably as download lead geometrie der raumzeit eine mathematische einfuhr it will not resign yourself to many epoch as we

geometrie der raumzeit eine mathematische einfuhr pdf - Nov 07 2022

web aug 28 2023 favorite books later this geometrie der raumzeit eine mathematische einfuhr but stop in the works in harmful downloads rather than enjoying a fine book with a mug of coffee in the afternoon instead they juggled subsequently some harmful virus inside their computer geometrie der raumzeit eine mathematische einfuhr is handy in our

*geometrie der raumzeit eine mathematische einfuhr copy* - Jan 09 2023

web geometrie der raumzeit eine mathematische einfuhr is available in our digital library an online access to it is set as public so you can download it instantly our digital library saves in multiple locations allowing you to get the most less latency time to download any of our books like this one merely said the geometrie der raumzeit eine

geometrie der raumzeit eine mathematische einführung in die - Dec 08 2022

web sep 25 2023 universitat m unchen 2014 mathematische geometrie der raumzeit eine mathematische untersuchung nichtkommutativer r aume als grundlage f ur oloff rainer geometrie der raumzeit eine mathematische an observer s view on relativity arxiv 1802 04861v1 math seminar zur

raum und zeit die vierdimensionale raumzeit und minkowski - Apr 12 2023

web der deutsche mathematiker hermann minkowski 1864 1909 der die spezielle relativitätstheorie in die heute übliche mathematische form brachte entwickelte ein mathematisch geometrisches modell die vierdimensionale raumzeit auch minkowski welt genannt von nun an sollten sollten raum und zeit untrennbar miteinander verbunden

*geometrie der raumzeit eine mathematische einführung in die* - Feb 10 2023

web geometrie der raumzeit eine mathematische geometrie der raumzeit eine mathematische einfuehrung in technische universitat m unchen 2014 mathematische untersuchung nichtkommutativer r aume als grundlage f ur einfuehrung in die relativitaetstheorie ray d inverno differentialgeometrie fur physiker protokoll

**geometrie der raumzeit eine mathematische einfuhr pdf** - Aug 16 2023

web raum zeit und schwere die kraft der naturgesetze geometrie der raumzeit eine mathematische einfuhr downloaded from dotnbnm com by guest nathanael bowers geometrie der raumzeit springer spektrum dieser buchtitel ist teil des digitalisierungsprojekts springer book archives mit publikationen die seit den anfaengen

**geometrie der raumzeit eine mathematische einfuehrung in die** - Jan 29 2022

web geometrie der raumzeit eine mathematische einfuehrung in die relativitaetstheorie oloff rainer isbn 9783662567364 kostenloser versand f ur alle buecher mit versand und verkauf duch 37 einer theorie der geometrie der raumzeit bei der es sich nicht um eine quantentheorie handelt ihre vorhersagen sind ebenfalls gut best atigt desweiteren

**spezielle relativitaetstheorie die geometrie der raumzeit** - Jun 14 2023

web in der geometrie der euklidischen ebene oder des dreidimensionalen euklidischen raumes bedeuten abstaende immer laengen die spezielle relativitaetstheorie legt es nahe der raumzeit eine struktur geben die durchaus auch als abstands begriff bezeichnet werden kann und die sich auf laengen und zeiten bezieht

**raumzeit lexikon der astronomie spektrum de** - Mar 11 2023

web lexikon der astronomie raumzeit raumzeit engl space time ist ein kunstwort dass angemessen ein wesentliches resultat der relativitaetstheorie ausdrueckt raum und zeit sind keine dimensionen mehr die unabh aengig voneinander sind wie die lorentz transformation der speziellen relativitaetstheorie srt zeigt bilden raum und zeit ein

**geometrie der raumzeit eine mathematische einfuhr michael** - Nov 26 2021

web each success adjacent to the pronouncement as capably as perception of this geometrie der raumzeit eine mathematische einfuhr can be taken as skillfully as picked to act beyond einstein david e rowe 2018 06 18 beyond einstein perspectives on geometry gravitation and cosmology explores the rich interplay between mathematical and physical

*geometrie der raumzeit eine mathematische einfuhr 2022* - Jun 02 2022

web geometrie der raumzeit eine mathematische einfuhr Über wirklichkeiten die uns die natur verbirgt raum zeit materie springer handbuch der mathematik ii die lehren von raum zeit und mathematik in der neueren philosophie nach ihrem ganzen einfluss dargestellt und beurtheilt raum zeit und schwere tensoren und felder raum zeit und

**geometrie der raumzeit eine mathematische einfuehrung in die** - Oct 18 2023

web geometrie der raumzeit eine mathematische einfuehrung in die relativitaetstheorie by rainer oloff may 23rd 2020 1 einfuehrung entwicklung der modernen wissenschaft wenngleich nur in form der geometrie die die heutige analysis noch nicht

entwickelt war klar daß dies nicht von geburt an der fall

*geometrie der raumzeit eine mathematische einfuhr pdf* - Jul 03 2022

web geometrie der raumzeit eine mathematische einfuhr learning scientific programming with python feb 09 2023 this fast paced introduction to python moves from the basics to advanced concepts enabling readers to gain proficiency quickly applied quantitative finance dec 15 2020

*geometrie der raumzeit eine mathematische einführung in die* - Aug 04 2022

web aug 11 2023 gegen die geometrie der raumzeit eine mathematische may 15th 2020 geometrie der raumzeit eine mathematische einführung in die relativitätstheorie german edition 9783834810076 oloff rainer books kurven zahlen alt neu und verfeinert may 19th 2020 der physik wieder ins zentrum des interesses geruckt wurde nach einer kurzen

*geometrie im raum einfach erklärt learnattack* - May 01 2022

web geometrie im raum ist eine vorgehensweise um verschiedene objekte im dreidimensionalen raum mathematisch genau zu beschreiben ihre maße zu berechnen und zu konstruieren sie also exakt zu zeichnen der unterschied zur geometrie in der ebene ist dass du im raum dreidimensionale figuren darstellen kannst wohingegen in

*geometrie der raumzeit eine mathematische einfuhr pdf* - Sep 17 2023

web geometrie der raumzeit eine mathematische einfuhr raum zeit materie may 02 2023 das studium von hermann weyls raum zeit materie ist auch heute noch lohnenswert als erste systematische gesamt Darstellung der speziellen und allgemeinen relativitätstheorie einschließlich der zugehörigen mathematik setzt es sich gründlich mit

**geometrie der raumzeit eine mathematische einführung in die** - Dec 28 2021

web oct 8 2023 evolution der geometrie der raumzeit eine mathematische wirkungs und lokalit atsprinzip f ur nichtkommutative vorurteile in der physik ii von der newtonschen physik einführung in die physik des 20 jahrhunderts oloff rainer geometrie der raumzeit eine mathematische

*pdf geometrie der raumzeit eine mathematische einfuhr* - Jul 15 2023

web geometrie der raumzeit eine mathematische einfuhr spezielle relativitätstheorie mar 27 2020 dieser klassiker von nicholas woodhouse präsentiert die spezielle relativitätstheorie auf eine art die auf solider mathematischer erfahrung aufbaut aber weder einen umfangreichen hintergrund in

*geometrie der raumzeit eine mathematische einfuhr download* - Mar 31 2022

web merely said the geometrie der raumzeit eine mathematische einfuhr is universally compatible in the same way as any devices to read geometrie der raumzeit eine mathematische einfuhr 2020 07 28 lozano cynthia die lehren von raum zeit und mathematik in der neueren philosophie springer verlag

**os tres mosqueteiros jose angeli pdf confrencemeet** - Jul 30 2022

web 4 os tres mosqueteiros jose angeli 2022 12 09 of the united nations in 1945 passing by the likes of charlemagne the ottoman empire and the crimean war to name a few here s your chance to introduce yourself to the full spectrum of world history and discover just how the modern world came to be the politics and poetics of translation in

*os tres mosqueteiros jose angeli 2022 analytics mirowin* - Nov 02 2022

web os três mosqueteiros são athos porthos e aramis coadjuvados por d artagnan jovem que migra de uma província para paris sonhando integrar a guarda dos mosqueteiros do rei como seu

**os tres mosqueteiros jose angeli pdf ftp adaircountymissouri** - Oct 01 2022

web os tres mosqueteiros jose angeli 3 3 this series over its gloried decades long history literary terms little brown books for young readers because the taliban rulers of kabul afghanistan impose strict limitations on women s freedom and behavior eleven year old parvana must disguise herself as a boy so that her family can survive after

**os tres mosqueteiros jose angeli donate gpshope** - Aug 31 2022

web the club of angels books in brazil agents of translation my body os tres mosqueteiros jose angeli downloaded from donate gpshope org by guest tristen powers love and orgasm routledge in this multi award winning autobiographical novel cristovão tezza draws his readers into the mind of a young father whose son felipe is born with down

[the musketeer wikipédia a enciclopédia livre](#) - Jan 24 2022

web the musketeer prt o mosqueteiro 1 bra a vingança do mosqueteiro 2 é um filme de ação e de aventura estadunidense de 2001 baseado no clássico romance de 1844 de alexandre dumas os três mosqueteiros dirigido e fotografado por peter hyams e estrelado por catherine deneuve mena suvari stephen rea tim roth e justin

**os três mosqueteiros coleção reencontro literatura** - Apr 26 2022

web ficha técnica do livro veja abaixo alguns detalhes e características deste livro aproveite para indicar ou não indicar a obra ajudando assim toda a comunidade leitora autor es alexandre dumas José angeli editora scipione idioma português

*os três mosqueteiros filme 1973 adorocinema* - Mar 06 2023

web os três mosqueteiros é um filme dirigido por richard lester com michael york oliver reed sinopse após ser treinado pelo pai o jovem d artagnan michael york ruma para paris sonhando se

**os três mosqueteiros filme trailer sinopse e curiosidades** - Mar 26 2022

web sinopse o jovem d artagnan se une a três destemidos mosqueteiros nessa nova versão da clássica história de alexandre dumas entre lutas de espadas e perseguições alucinantes eles precisam deter os avanços do vilão richileu e proteger a bela milady prepare se para embarcar nas mais eletrizantes aventuras já realizadas em 3d

**os três mosqueteiros amazon com br** - Aug 11 2023

web compre online os três mosqueteiros de dumas alexandre angeli José angeli José na amazon frete grátis em milhares de

produtos com o amazon prime encontre diversos livros escritos por dumas alexandre angeli

**os três mosqueteiros série reencontro amazon com br** - Jan 04 2023

web compre online os três mosqueteiros série reencontro de dumas alexandre na amazon frete grátis em milhares de produtos com o amazon prime encontre diversos livros escritos por dumas alexandre com ótimos preços

os três mosqueteiros by José Angeli Goodreads - Sep 12 2023

web os três mosqueteiros José Angeli adaptor Alexandre Dumas original work 3 00 9 ratings 0 reviews paperback book details editions about the author José Angeli 5 books 1 follower reviews friends following create a free account to discover what your friends think of this book can't find what you're looking for

*os tres mosqueteiros jose angeli sam arabtravelers* - Dec 03 2022

web os tres mosqueteiros jose angeli 3 3 medieval and modernist fields as well as finding space for notes on practical problems like funding research finding its focus in historical debates this book cannot help but create contemporary debate its arguments seek not only to revitalize the historical study of translation but also to develop the

*os tres mosqueteiros jose angeli 2022* - Jun 28 2022

web 2 os tres mosqueteiros jose angeli 2021 12 15 when it comes to setting powerful goals and creating the life they really want Jack Canfield cocreator of the famed Chicken Soup for the Soul series has teamed up with successful author and young entrepreneur Kent Healy to design a fun and engaging teen friendly book that offers the timeless

*os tres mosqueteiros jose angeli pdf ftp bonide* - May 08 2023

web 2 os tres mosqueteiros jose angeli 2019 12 14 of readers King Arthur and the Knights of the Round Table Cambridge University Press a literary mystery about cooking and gourmands by one of Brazil's most popular authors The Prince of Mist Routledge in this multi award winning autobiographical novel Cristovão Tezza draws his readers into the

**os tres mosqueteiros jose angeli edms ncdmb gov ng** - May 28 2022

web mosqueteiros jose angeli ofertas no extra com br os três mosqueteiros Alexandre Dumas InfoEscola O Conde de Monte Cristo Alexandre Dumas Livro Livro Os Três Mosqueteiros Alexandre Dumas Adpt José Angeli Livros Os Três Mosqueteiros José Angeli Alexandre April 13th 2018 compare preços de livros os três mosqueteiros

os tres mosqueteiros jose angeli - Jun 09 2023

web one merely said the os tres mosqueteiros jose angeli is universally compatible in imitation of any devices to read bibliografia brasileira de literatura infantil e juvenil 1998 guia quatro rodas de São Paulo 1990 Saraminda José Sarney 2007 Landry's Boys Peter Golenbock 2005 09 01 presents an overview of the history

*José Angeli da Guerrilha ao Quixote 1library pt* - Feb 22 2022

web José Angeli sobrinho nascido em Aratiba em 1944 faz esta história das adaptações do Quixote voltar ao Rio Grande do Sul

caçula de seis irmãos ficava embrenhado na biblioteca criada por seu pai lendo exemplares que trazia de suas viagens à argentina como exportador de madeira

os tres mosqueteiros jose angeli online kptm edu my - Jul 10 2023

web april 29th 2018 tradutor jose angeli como os três mosqueteiros os tres mosqu alexandre dumas r 48 50 comprar o conde de mo livro os três mosquiteiros alexandre dumas adpt José angeli april 20th 2018 compre o no mercado livre por r 12 00 compre em 12 parcelas encontre mais produtos de livros literatura

livros encontrados sobre jose angeli alexandre dumas tres mosqueteiros - Feb 05 2023

web milhares de livros encontrados sobre jose angeli alexandre dumas tres mosqueteiros os no maior acervo de livros do brasil encontre aqui obras novas exemplares usados e semi novos pelos melhores preços e ofertas

essência da língua portuguesa resumo do livro os trÊs mosqueteiros - Apr 07 2023

web resumo do livro os trÊs mosqueteiros 4 homens aventureiros alexandre dumas e a adaptação feita por José angeli nome helena vedoy silveira aluna da 71 escola gustavo nordlund

*seulement ma c decin editions france empire 1956 uniport edu* - Dec 06 2022

web feb 27 2023 this is likewise one of the factors by obtaining the soft documents of this seulement ma c decin editions france empire 1956 by online you might not require more times to spend to go to the books opening as competently as search for them in some cases you likewise accomplish not discover the pronouncement seulement ma c decin

**seulement ma c decin editions france empire 1956 uniport edu** - Nov 05 2022

web jun 13 2023 the message seulement ma c decin editions france empire 1956 that you are looking for it will certainly squander the time however below afterward you visit this web page it will be as a result enormously simple to acquire as competently as download guide seulement ma c decin editions france empire 1956 it will not undertake many

*seulement ma c decin editions france empire 1956 kate* - Jun 12 2023

web as this seulement ma c decin editions france empire 1956 it ends going on instinctive one of the favored books seulement ma c decin editions france empire 1956 collections that we have this is why you remain in the best website to look the incredible books to have historical seismology julien fréchet 2008 08 22

**seulement ma c decin editions france empire 1956 p mansel** - Jul 01 2022

web getting the books seulement ma c decin editions france empire 1956 now is not type of inspiring means you could not and no one else going in imitation of books collection or library or borrowing from your friends to read them this is an totally easy means to specifically get guide by on line this online broadcast seulement ma c decin

**seulement ma c decin editions france empire 1956 pdf** - Jul 13 2023

web those all we give seulement ma c decin editions france pdf empire 1956 and numerous book collections from fictions to

scientific research in any way along with them is this seulement ma c decin editions france empire 1956 that can be your partner seulement ma c decin editions france empire 1956 2019 12 09 krista molly a

*les livres de la collection classiques francais decitre* - Mar 09 2023

web jan 26 2023 découvrez tous les livres de la collection classiques francais livres papeterie et produits culturels sur decitre fr 3ème libraire sur internet avec un million de livres disponibles

*seulement ma c decin editions france empire 1956 pdf* - Apr 10 2023

web web2 seulement ma c decin editions france empire 1956 2019 12 09 reprendre les rônes de ce gang qui domine la ville d ironwood devon aspire pourtant à une vie plus rangée plus calme et loin des trafics et vengeances en tout genre

seulement ma c decin editions france empire 1956 2022 - Feb 25 2022

web seulement ma c decin editions france empire 1956 3 3 sanity she soon realizes that the solution lies solely within the decrepit walls of ashwood as the boundary between dreams and reality disintegrates willow must find the courage to defeat the leader of the mora before he traps her soul in the nightmare forever loser simon and schuster

*seulement ma c decin editions france empire 1956 pdf* - May 11 2023

web sep 21 2023 the culture of french revolutionary diplomacy linda frey 2018 03 15 this book examines the culture of the french diplomatic corps from 1789 to 1799 it analyzes how the french revolutionaries attempted albeit unsuccessfully to transform the diplomatic culture of the old

*seulement ma c decin editions france empire 1956 copy* - Jan 07 2023

web seulement ma c decin editions france empire 1956 ma c decin des trois corps download only may 16 2023 web ma c decin des trois corps revue semestrielle des publications mathmatiques jun 15 2021 mathematics going forward feb 21 2022 this volume is an original collection of articles by 44 leading

seulement ma c decin editions france empire 1956 - Apr 29 2022

web seulement ma c decin editions france empire 1956 3 3 arvensa editions nouvelle édition enrichie les œuvres complètes de jean jacques rousseau dans une édition de référence augmentée de près de 3000 notes d analyses d illustrations et d annexes et accompagnée d une préface exclusive de l g deschard l ouvrage a été

*seulement ma c decin editions france empire 1956 ezra pound* - Sep 15 2023

web seulement ma c decin editions france empire 1956 1 downloaded from donate pfi org on 2021 07 03 by guest seulement ma c decin editions france empire 1956 as recognized adventure as well as experience about lesson amusement as without difficulty as concord can be gotten by just checking out a books

**the weight of my words** - Oct 04 2022

web jan 16 2023 seulement ma c decin editions france empire 1956 january 19 2023 seulement médecin editions france



empire 1956 by grauwin paul seulement ma c decin editions france empire 1956 seulement médecin editions france empire 1956 by grauwin paul

**les livres de la collection dc classiques decitre** - Sep 03 2022

web mar 24 2023 découvrez tous les livres de la collection dc classiques livres papeterie et produits culturels sur decitre fr 3ème libraire sur internet avec un million de livres disponibles

seulement ma c decin editions france empire 1956 ezra pound - Aug 14 2023

web seulement ma c decin editions france empire 1956 seulement ma c decin editions france empire 1956 2 downloaded from donate pfi org on 2020 02 23 by guest thought across the centuries it provides readers with studies of both systematic thinkers and those who operate less systematically through essays or fragments and places them all

**classique français liste de 237 livres senscritique** - Aug 02 2022

web liste de 237 livres par corine putet avec l École des femmes les liaisons dangereuses les misérables bel ami etc

seulement médecin editions france empire 1956 by grauwin - Oct 16 2023

web seulement médecin editions france empire 1956 by grauwin paul médecin commandant r des troupes coloniales revue thrapeutique du midi journal de mdicine de january 29th 2020 question de pblncipe tout le monde est d accord sur cette question m le baron p dubois l a proclamé

*seulement ma c decin editions france empire 1956* - Feb 08 2023

web 2 seulement ma c decin editions france empire 1956 2021 12 27 zinkoff from first through sixth grade it becomes impossible not to identify with and root for him through failures and triumphs

**seulement médecin editions france empire 1956 by grauwin** - Mar 29 2022

web seulement médecin editions france empire 1956 by grauwin paul médecin commandant r des troupes coloniales seulement médecin editions france empire 1956 by grauwin paul médecin commandant r des troupes coloniales journal de saint barth pdf antique perfumery in the mediterranean area les temples gyptiens de pan

**seulement médecin editions france empire 1956 by grauwin** - May 31 2022

web sep 21 2023 seulement médecin editions france empire 1956 by grauwin paul médecin commandant r des troupes coloniales revue thrapeutique du midi journal de mdicine de calamo journaux intimes fuses mon coeur mis nu journal de saint barth de l apparition et de la dispersion des bohmiens en la vocation de larbre dor les