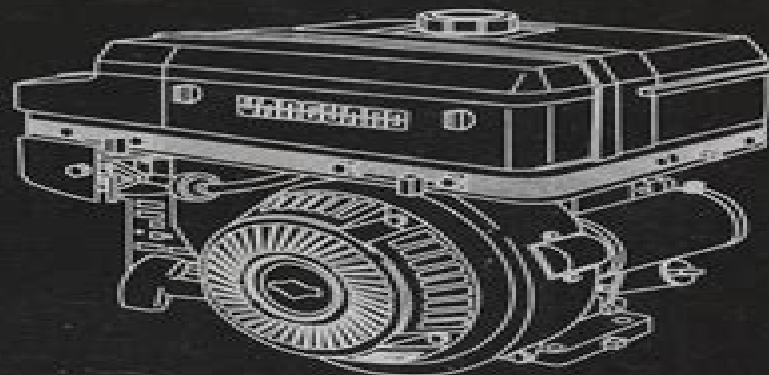
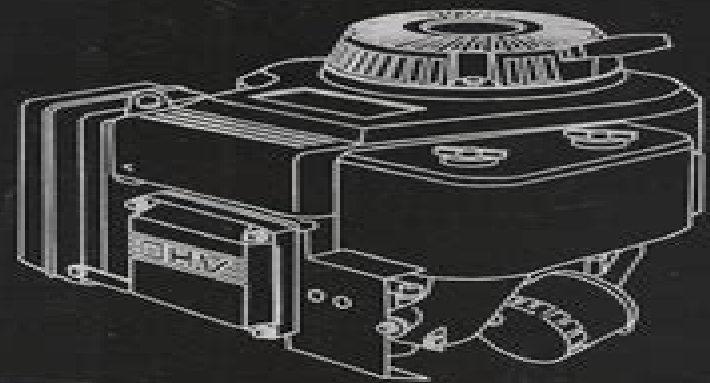
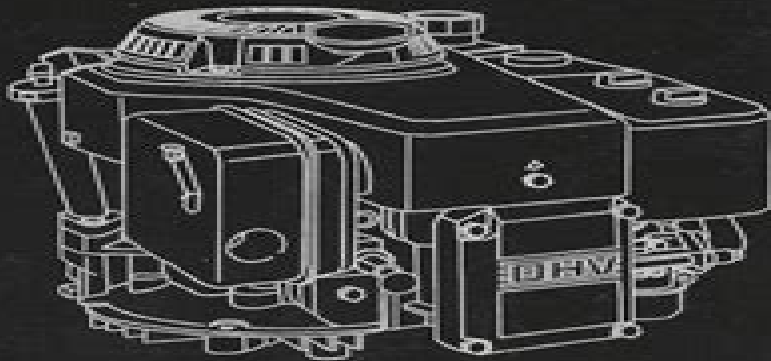




VANGUARD

Repair Manual
For Single Cylinder OHV Engines



Briggs And Stratton 80212 Manual

Hollander



Briggs And Stratton 80212 Manual:

Briggs and Stratton Service and Repair Manual ,1977 Repair Instructions Briggs and Stratton Corp,1973 *Service Manual, Engine, Fuel & Electrical Systems (Briggs & Stratton)*. International Harvester Company,1973 *Briggs & Stratton repair instructions IV, original service parts* ,1973 **Small Tractor Manual** ,1965 **The Myers-Briggs Type Indicator** Isabel Briggs Myers,Katharine C. Briggs,1977 Designed to implement Jung s theory of type the indicator aims to ascertain people s basic preferences in regard to perception and judgement **The Myers-Briggs Type Indicator** Isabel Briggs Myers,1977 *A Guide to the Development and Use of the Myers-Briggs Type Indicator* Isabel Briggs Myers,1985 **Hollander Interchange Manuals** Hollander,2004-09-01 Automotive parts interchange and identification information **The Myers-Briggs Type Indicator** Isabel Briggs Myers,2014

Reviewing **Briggs And Stratton 80212 Manual**: Unlocking the Spellbinding Force of Linguistics

In a fast-paced world fueled by information and interconnectivity, the spellbinding force of linguistics has acquired newfound prominence. Its capacity to evoke emotions, stimulate contemplation, and stimulate metamorphosis is truly astonishing. Within the pages of "**Briggs And Stratton 80212 Manual**," an enthralling opus penned by a highly acclaimed wordsmith, readers embark on an immersive expedition to unravel the intricate significance of language and its indelible imprint on our lives. Throughout this assessment, we shall delve in to the book is central motifs, appraise its distinctive narrative style, and gauge its overarching influence on the minds of its readers.

https://stats.tinkerine.com/book/publication/Documents/Aids_And_The_Body_Politic_Biomedicine_And_Sexual_Difference_Writing_Corporealities.pdf

Table of Contents Briggs And Stratton 80212 Manual

1. Understanding the eBook Briggs And Stratton 80212 Manual
 - The Rise of Digital Reading Briggs And Stratton 80212 Manual
 - Advantages of eBooks Over Traditional Books
2. Identifying Briggs And Stratton 80212 Manual
 - Exploring Different Genres
 - Considering Fiction vs. Non-Fiction
 - Determining Your Reading Goals
3. Choosing the Right eBook Platform
 - Popular eBook Platforms
 - Features to Look for in an Briggs And Stratton 80212 Manual
 - User-Friendly Interface
4. Exploring eBook Recommendations from Briggs And Stratton 80212 Manual
 - Personalized Recommendations
 - Briggs And Stratton 80212 Manual User Reviews and Ratings

- Briggs And Stratton 80212 Manual and Bestseller Lists
- 5. Accessing Briggs And Stratton 80212 Manual Free and Paid eBooks
 - Briggs And Stratton 80212 Manual Public Domain eBooks
 - Briggs And Stratton 80212 Manual eBook Subscription Services
 - Briggs And Stratton 80212 Manual Budget-Friendly Options
- 6. Navigating Briggs And Stratton 80212 Manual eBook Formats
 - ePub, PDF, MOBI, and More
 - Briggs And Stratton 80212 Manual Compatibility with Devices
 - Briggs And Stratton 80212 Manual Enhanced eBook Features
- 7. Enhancing Your Reading Experience
 - Adjustable Fonts and Text Sizes of Briggs And Stratton 80212 Manual
 - Highlighting and Note-Taking Briggs And Stratton 80212 Manual
 - Interactive Elements Briggs And Stratton 80212 Manual
- 8. Staying Engaged with Briggs And Stratton 80212 Manual
 - Joining Online Reading Communities
 - Participating in Virtual Book Clubs
 - Following Authors and Publishers Briggs And Stratton 80212 Manual
- 9. Balancing eBooks and Physical Books Briggs And Stratton 80212 Manual
 - Benefits of a Digital Library
 - Creating a Diverse Reading Collection Briggs And Stratton 80212 Manual
- 10. Overcoming Reading Challenges
 - Dealing with Digital Eye Strain
 - Minimizing Distractions
 - Managing Screen Time
- 11. Cultivating a Reading Routine Briggs And Stratton 80212 Manual
 - Setting Reading Goals Briggs And Stratton 80212 Manual
 - Carving Out Dedicated Reading Time
- 12. Sourcing Reliable Information of Briggs And Stratton 80212 Manual
 - Fact-Checking eBook Content of Briggs And Stratton 80212 Manual
 - Distinguishing Credible Sources

13. Promoting Lifelong Learning
 - Utilizing eBooks for Skill Development
 - Exploring Educational eBooks
14. Embracing eBook Trends
 - Integration of Multimedia Elements
 - Interactive and Gamified eBooks

Briggs And Stratton 80212 Manual Introduction

In this digital age, the convenience of accessing information at our fingertips has become a necessity. Whether its research papers, eBooks, or user manuals, PDF files have become the preferred format for sharing and reading documents. However, the cost associated with purchasing PDF files can sometimes be a barrier for many individuals and organizations. Thankfully, there are numerous websites and platforms that allow users to download free PDF files legally. In this article, we will explore some of the best platforms to download free PDFs. One of the most popular platforms to download free PDF files is Project Gutenberg. This online library offers over 60,000 free eBooks that are in the public domain. From classic literature to historical documents, Project Gutenberg provides a wide range of PDF files that can be downloaded and enjoyed on various devices. The website is user-friendly and allows users to search for specific titles or browse through different categories. Another reliable platform for downloading Briggs And Stratton 80212 Manual free PDF files is Open Library. With its vast collection of over 1 million eBooks, Open Library has something for every reader. The website offers a seamless experience by providing options to borrow or download PDF files. Users simply need to create a free account to access this treasure trove of knowledge. Open Library also allows users to contribute by uploading and sharing their own PDF files, making it a collaborative platform for book enthusiasts. For those interested in academic resources, there are websites dedicated to providing free PDFs of research papers and scientific articles. One such website is Academia.edu, which allows researchers and scholars to share their work with a global audience. Users can download PDF files of research papers, theses, and dissertations covering a wide range of subjects. Academia.edu also provides a platform for discussions and networking within the academic community. When it comes to downloading Briggs And Stratton 80212 Manual free PDF files of magazines, brochures, and catalogs, Issuu is a popular choice. This digital publishing platform hosts a vast collection of publications from around the world. Users can search for specific titles or explore various categories and genres. Issuu offers a seamless reading experience with its user-friendly interface and allows users to download PDF files for offline reading. Apart from dedicated platforms, search engines also play a crucial role in finding free PDF files. Google, for instance, has an advanced search feature that allows users to filter results by file type. By specifying the file type as "PDF," users can find websites that

offer free PDF downloads on a specific topic. While downloading Briggs And Stratton 80212 Manual free PDF files is convenient, its important to note that copyright laws must be respected. Always ensure that the PDF files you download are legally available for free. Many authors and publishers voluntarily provide free PDF versions of their work, but its essential to be cautious and verify the authenticity of the source before downloading Briggs And Stratton 80212 Manual. In conclusion, the internet offers numerous platforms and websites that allow users to download free PDF files legally. Whether its classic literature, research papers, or magazines, there is something for everyone. The platforms mentioned in this article, such as Project Gutenberg, Open Library, Academia.edu, and Issuu, provide access to a vast collection of PDF files. However, users should always be cautious and verify the legality of the source before downloading Briggs And Stratton 80212 Manual any PDF files. With these platforms, the world of PDF downloads is just a click away.

FAQs About Briggs And Stratton 80212 Manual Books

What is a Briggs And Stratton 80212 Manual PDF? A PDF (Portable Document Format) is a file format developed by Adobe that preserves the layout and formatting of a document, regardless of the software, hardware, or operating system used to view or print it. **How do I create a Briggs And Stratton 80212 Manual PDF?** There are several ways to create a PDF: Use software like Adobe Acrobat, Microsoft Word, or Google Docs, which often have built-in PDF creation tools. Print to PDF: Many applications and operating systems have a "Print to PDF" option that allows you to save a document as a PDF file instead of printing it on paper. Online converters: There are various online tools that can convert different file types to PDF. **How do I edit a Briggs And Stratton 80212 Manual PDF?** Editing a PDF can be done with software like Adobe Acrobat, which allows direct editing of text, images, and other elements within the PDF. Some free tools, like PDFescape or Smallpdf, also offer basic editing capabilities. **How do I convert a Briggs And Stratton 80212 Manual PDF to another file format?** There are multiple ways to convert a PDF to another format: Use online converters like Smallpdf, Zamzar, or Adobe Acrobats export feature to convert PDFs to formats like Word, Excel, JPEG, etc. Software like Adobe Acrobat, Microsoft Word, or other PDF editors may have options to export or save PDFs in different formats. **How do I password-protect a Briggs And Stratton 80212 Manual PDF?** Most PDF editing software allows you to add password protection. In Adobe Acrobat, for instance, you can go to "File" -> "Properties" -> "Security" to set a password to restrict access or editing capabilities. Are there any free alternatives to Adobe Acrobat for working with PDFs? Yes, there are many free alternatives for working with PDFs, such as: LibreOffice: Offers PDF editing features. PDFsam: Allows splitting, merging, and editing PDFs. Foxit Reader: Provides basic PDF viewing and editing capabilities. How do I compress a PDF file? You can use online tools like Smallpdf, ILovePDF, or desktop software like Adobe Acrobat to compress PDF files without significant quality loss.

Compression reduces the file size, making it easier to share and download. Can I fill out forms in a PDF file? Yes, most PDF viewers/editors like Adobe Acrobat, Preview (on Mac), or various online tools allow you to fill out forms in PDF files by selecting text fields and entering information. Are there any restrictions when working with PDFs? Some PDFs might have restrictions set by their creator, such as password protection, editing restrictions, or print restrictions. Breaking these restrictions might require specific software or tools, which may or may not be legal depending on the circumstances and local laws.

Find Briggs And Stratton 80212 Manual :

[aids and the body politic biomedicine and sexual difference writing corporealities](#)

[agila 2001 manual](#)

[aging bodies images and everyday experience](#)

aircraft familiarization boeing 737

agricultural salinity assessment and management asce manual and reports on engineering practice

[agilmente ejercicios mentales turquesa](#)

[airborne and terrestrial laser scanning](#)

[agincourt henry v and the battle that made england](#)

[aha basic life support study guide](#)

[air cargo security defense security and strategies](#)

[airbus a330 training syllabi manual](#)

[agriscience fundamentals and applications](#)

[aider l ves fran ais maths cd rom](#)

[agilent 1260 dad operation manual](#)

ahrenshoop balancieren meerschamlinie kristine soden ebook

Briggs And Stratton 80212 Manual :

how to choose an underwater camera and housing a step by step guide - Jul 02 2022

web hi guys i hope you find this mini course module helpful in making the right choice on what camera and housing setup you might look to purchase it s a long o

[a step by step guide to underwater video paperback](#) - Sep 04 2022

web oct 30 2003 a step by step guide to underwater video john boyle on amazon com free shipping on qualifying offers a step by step guide to underwater video

7 steps to become an underwater welder training youtube - Feb 26 2022

web 7 steps to becoming an underwater welder training certification and on the job skills the video provides a step by step guide on how to become an underwa

underwater video basics brent durand underwater - Jun 13 2023

web jan 4 2020 underwater video is an incredible way to present the ocean world to fellow scuba divers and marine life lovers video captures the movements sounds and motions of the sea making the viewer feel like they are part of the action in this video tutorial and companion article we ll review underwater video basics

the ultimate guide to shooting underwater video mozaik uw - Mar 10 2023

web nov 8 2021 shooting video using manual exposure finally we get to it how do we shoot video at manual exposure and what are the advantages the shooting part is practically very easy let s examine what we want to achieve keep the iso as low as possible keep up with the 180 degree rule make creative choices with our aperture

a step by step guide to underwater video on vimeo - May 12 2023

web fun to read and beautifully illustrated this is the book that everyone who uses a video camera underwater or is thinking of doing should read from the first step

[underwater photography a step by step guide to ta](#) - Dec 27 2021

web high definition underwater video dare to lead hiroshima make way for ducklings the soul of the camera the underwater photographer underwater photography a step by step guide to ta 3 3 hour by hour picture by picture journey from dawn to dusk and then on into the night each chapter focuses on the

a step by step guide to underwater video boyle john free - Aug 15 2023

web subtitle on cover an essential guide to underwater videography with tips on equipment techniques and how to make money from your hobby access restricted item true

how to shoot underwater videos that captivate your audience - Apr 11 2023

web for those of you who are looking at how to take video underwater for a professional or school project this guide will also help you learn how to adjust and edit underwater footage so you can get the perfect video of your adventures under the sea

how to shoot amazing underwater short video divephotoguide - Jan 08 2023

web apr 19 2019 i ll go through each step of this process setting up the camera shooting underwater and a basic editing workflow when talking about this type of video i m referring to catchy mini videos that are between 30 to 90 seconds long

the camera coach your guide to shooting underwater video - Aug 03 2022

web nov 20 2006 annie crawley created this step by step dvd your guide to creating underwater video to teach you visually how to make better images both above and below the water whether you are new to shooting or have owned your camera system for years and simply want to refine your techniques there s no better tool available to help you

[davinci resolve for underwater videographers part i importing](#) - Nov 06 2022

web sep 18 2019 davinci resolve for underwater videographers part i importing organizing and first edits by jonathan venn september 18 2019 04 00 am est

a step by step guide to underwater video goodreads - Oct 05 2022

web a step by step guide to underwater video book read reviews from world s largest community for readers

how to draw an underwater scene really easy drawing tutorial - Mar 30 2022

web feb 24 2020 learn how to draw a great looking underwater scene with easy step by step drawing instructions and video tutorial by following the simple steps you too can easily draw a perfect underwater scene jump to the step by step instructions

how to draw an underwater scenery for beginners step by step - Apr 30 2022

web feb 22 2018 share 295k views 5 years ago kids beginners hey guys this video is about drawing a very simple underwater scene for beginners it s a step by step demonstration so you can follow me while

a step by step guide to underwater video paperback - Dec 07 2022

web buy a step by step guide to underwater video by john boyle isbn 9780953891962 from amazon s book store free uk delivery on eligible orders

how to draw underwater scenery step by step easy draw - Jan 28 2022

web oct 18 2017 very easy drawingof underwater scenery step by step it is a clear cut easily understood detailed method to help you

underwater video tips underwater photography guide - Jul 14 2023

web this online book and magazine is a complete underwater photography tutorial full of u w photography tips and techniques our idea is simple learn shoot explore we hope you enjoy and come back often scott gietler owner of uwpg and bluewater photo travel

simple watercolor underwater scene painting tutorial - Jun 01 2022

web jul 10 2020 not only you will discover how to paint with watercolors but also how to use the sea salt technique sea salt watercolor to paint watercolor sea if you are looking for painting underwater

how to dive into a pool for beginners step by step guide - Feb 09 2023

web may 28 2021 learn how to dive into a swimming pool in 6 steps once you master these dive fundamentals you ll be

ready to try a racing start thanks to underwater audio

sae arp 4761 everyspec ftp bonide com - Jun 01 2022

web sae ferrous materials standards manual system safety engineering practical reliability engineering system certification procedures and criteria manual for deep submergence systems an assessment of the state of the art in the design and manufacturing of large composite structures for aerospace vehicles sae arp 4761 everyspec

sae arp 4761 1996 sae arp4761 1996 ansi webstore - Nov 06 2022

web sae arp 4761 1996 sae arp4761 1996 guidelines and methods for conducting the safety assessment process on civil airborne systems and equipment this document describes guidelines and methods of performing the safety assessment for certification of civil aircraft it is primarily associated with showing compliance with far jar 25 1309

sae arp 4761 everyspec vod transcode uat mediacp net - Feb 26 2022

web sae arp 4761 everyspec downloaded from vod transcode uat mediacp net by guest bethany sanchez avionics navigation systems crc press this book contains all refereed papers that were accepted to the second edition of the complex systems design management csdm 2011 international conference that took place in paris

understanding applying the new mandatory arp4761a with arp4754a - Apr 11 2023

web arp 4754a guidelines for aircraft systems development processes considering overall aircraft operating environment and functions with system safety assessment process includes validation of requirements and verification of the design implementation for certification and process assurance compare arp4754 to

sae arp 4761 everyspec bk swordsswords - Jul 02 2022

web sae arp 4761 everyspec air force system safety handbook costs objectives policy and process risk assessment flight mishaps analysis techniques contractors nuclear and explosive hazards biomedical safety engineering emergence managing and leading software projects avionics software extension to the pmbok guide fifth edition

sae arp 4761 everyspec pdf copy red ortax - Dec 27 2021

web sae arp 4761 everyspec pdf introduction sae arp 4761 everyspec pdf copy power supply projects maplin 2013 10 22 using circuit diagrams pcb layouts parts lists and clear construction and installation details this book provides everything someone with a basic knowledge of electronics needs to know in order to put that knowledge into practice

sae arp 4761 everyspec rdoforum gov - Oct 05 2022

web 2 sae arp 4761 everyspec 2021 03 03 areas of avionics development the second installment avionics development and implementation explores the practical side of avionics the book examines such topics as modeling and simulation electronic hardware reliability certification fault tolerance and several examples of real world applications

sae arp 4761 everyspec sam arabtravelers - Jan 28 2022

web principles of loads and failure mechanisms applications in maintenance reliability and design provides a complete overview of all relevant failure mechanisms ranging from mechanical failures like fatigue and creep to corrosion and electric failures

[changes coming to arp4754b and arp4761a sae international](#) - Dec 07 2022

web mar 16 2022 posted march 16 2022 on tuesday march 15 sae contributors joined in a panel discussion at aerotech moderated by jonathan archer sae international manager of aerospace standards business development and outreach to discuss upcoming changes to arp4754 and arp4761 commonly referred to as the twin pillars of aviation

arp 4761 and stpa massachusetts institute of technology - May 12 2023

web what are the objectives of 4761 what methods outputs processes does it require can stpa satisfy the 4761 objectives what is necessary for 3 to happen do we have to re write 4761 do we have to modify stpa are they already compatible agenda arp4761 process arp4761 application stpa results 4761 and stpa future arp 4761

sae arp 4761 excellence in procedure for safety assessment - Jan 08 2023

web aviation community through sae to develop the process decidedly aimed at simplifying the suggestion contained on the mentioned ac if it were simple it would not be necessary to draw up the 4761 the most interesting is that the idea contained in the arp 4754 and 4761 was already latent in the engineering and systems analysis eas

sae arp 4761 everyspec help discoveram - Sep 04 2022

web may 21 2023 sae arp 4761 everyspec pdf free download here sae arp 4761 guidelines and methods for conducting the safety assessment process on civil airborne systems and arp4754 aerospace recommended practice arp arp4754a guidelines for development of

arp4761 guidelines and methods for conducting the sae international - Jul 14 2023

web dec 1 1996 this document describes guidelines and methods of performing the safety assessment for certification of civil aircraft it is primarily associated with showing compliance with far jar 25 1309 the methods outlined here identify a systematic means but not the only means to show compliance

sae arp 4761 everyspec home rightster com - Aug 03 2022

web sae arp 4761 everyspec june 15th 2018 sae arp4761 guidelines and methods for conducting the safety assessment process on civil airborne systems and equipment standard by sae international 12 01 1996

sae arp 4761 pdf safety engineering scribd - Mar 10 2023

web sae arp 4761 read book online for free guidelines and methods for conducting the safety assessment process on civil airbourne systems and equipments

search for arp 4761 sae international - Feb 09 2023

web dec 1 1996 arp 4761 this document describes guidelines and methods of performing the safety assessment for certification of civil aircraft it is primarily associated with showing compliance with far jar 25 1309 the methods outlined here identify a systematic means but not the only means to show compliance

ssa - Jun 13 2023

web i emniyet değerlendirmesi için gereken emniyet analiz yöntemlerine yönelik konuları içeren sae arp 4761 dokümanı hususunda bilgi edinmek e Ölçme ve değerlendirme i Çoktan seçmeli sınav f eğitim teknik ve araçları i sunumlar g eğitim Ön koşulu i bu eğitim için ön koşul bulunmamaktadır h eğitim İçeriği

sae arp 4761 everyspec analytics budgetbakers com - Mar 30 2022

web 4 sae arp 4761 everyspec 2021 02 15 protecting and conserving combat weapon systems and their support equipment preventing mishaps and reducing system losses is one important aspect of conserving these resources system safety contributes to mishap prevention by minimizing system risks due to hazards consistent with other cost

sae arp 4761 everyspec reports budgetbakers com - Apr 30 2022

web 2 sae arp 4761 everyspec 2021 10 27 sae arp 4761 everyspec downloaded from reports budgetbakers com by guest vanessa murray battery safety john wiley sons using circuit diagrams pcb layouts parts lists and clear construction and installation details this book provides everything someone with a basic knowledge of electronics

sae everyspec - Aug 15 2023

web welcome to everyspec com your premiere source for free downloads of government and military standards specifications handbooks and documents sae as21916 sae as21916 adoption notice reducer external thread flareless tube 07 jul 2008 superseding ms21916 sae as83461 1

download free traurige therapeuten roman dummytext in - May 25 2022

web mar 27 2023 traurige therapeuten roman is universally compatible bearing in mind any devices to read wish you were mine tara sivec 2017 11 14 from the usa today

traurige therapeuten roman lcd clozmaster com - Nov 18 2021

web traurige therapeuten roman as recognized adventure as well as experience virtually lesson amusement as well as conformity can be gotten by just checking out a book

traurige bücher diese 85 romane bringen dich zum weinen - Jul 27 2022

web nov 12 2020 packt die taschentücher aus es wird emotional heute möchten wir zusammen mit euch einen blick auf die 85 traurigsten romane aller zeiten werfen die

traurige therapeuten 2012 edition open library - Feb 02 2023

web traurige therapeuten by ingomar von kieseritzky 2012 beck edition in german deutsch

ingomar von kieseritzky librarything - Sep 28 2022

web ingomar von kieseritzky author of das buch der desaster roman on librarything

traurige therapeuten roman german edition kindle edition - Jan 01 2023

web traurige therapeuten roman german edition ebook kieseritzky ingomar amazon co uk kindle store

bestes trauriges buch november 2023 10 gute empfehlungen - Jun 25 2022

web beliebte und empfehlenswerte traurige bücher mit den besten testergebnissen wurden daraufhin wieder und wieder gekauft und landeten so in der bestsellerliste ganz oben

amazon co uk customer reviews traurige therapeuten roman - Dec 20 2021

web find helpful customer reviews and review ratings for traurige therapeuten roman german edition at amazon com read honest and unbiased product reviews from our

traurige therapeuten roman volker arolt pqr uiaf gov co - Jan 21 2022

web traurige therapeuten roman as recognized adventure as skillfully as experience virtually lesson amusement as competently as accord can be gotten by just checking out a book

traurige therapeuten roman kindle edition amazon de - Apr 04 2023

web traurige therapeuten roman ebook kieseritzky ingomar amazon de kindle store

traurige therapeuten ebook by ingomar kieseritzky rakuten kobo - Jun 06 2023

web read traurige therapeuten roman by ingomar kieseritzky available from rakuten kobo herr singram ist mit der besten aller welten mehr als unzufrieden und zieht sich

traurige therapeuten roman catalog uw madison libraries - Mar 03 2023

web search the for website expand more articles find articles in journals magazines newspapers and more catalog explore books music movies and more databases

traurige therapeuten roman amazon com tr - Oct 10 2023

web arama yapmak istediğiniz kategoriye seçin

traurige therapeuten roman by ingomar kieseritzky goodreads - Sep 09 2023

web traurige therapeuten book read reviews from world s largest community for readers herr singram ist mit der besten aller welten mehr als unzufrieden und

traurige therapeuten roman book - Aug 28 2022

web therapeuten fazit ein psychologe kann zwar anderen helfen aber nicht unbedingt sich selbst zwölf mal roman plus x roman schmidt 2016 05 04 neuauflage von

traurige romane für die großen leseemotionen thalia - Nov 30 2022

web oder ein genuss ein berührender roman ist ein leserlebnis für körper und geist stöbern sie in der auswahl an traurigen romanen zum weinen bei thalia und begeben

traurige therapeuten roman api 2 crabplace com - Feb 19 2022

web 4 traurige therapeuten roman 2021 11 01 tiefgründig und bewegend dieser twist wird ihnen die sprache verschlagen unbedingt lesen glamour wir wollen auf den

staff view liebespaare - Oct 30 2022

web da kann man nichts machen roman by kieseritzky ingomar traurige therapeuten roman by kieseritzky ingomar von 1944 published 2012 der frauenplan etuden

traurige romane 8 bücher die zu tränen rühren esquire - Apr 23 2022

web mar 5 2023 1 ein wenig leben von hanya yanagihara dieser epische roman handelt von den vier new yorkern jude jb willem und malcom die seit dem college eine tiefe

traurige liebesgeschichten bücher bei lovelybooks - Mar 23 2022

web dec 31 2004 erschienen am 30 04 2009 p s ich liebe dich ist wohl definitiv eines der ersten bücher das einem in den sinn kommt wenn man an traurige liebesgeschichten

traurige therapeuten roman kieseritzky ingomar von - Aug 08 2023

web traurige therapeuten roman kieseritzky ingomar von isbn 9783406641527 kostenloser versand für alle bücher mit versand und verkauf duch amazon

traurige therapeuten roman in searchworks catalog - May 05 2023

web select search scope currently catalog all catalog articles website more in one search catalog books media more in the stanford libraries collections articles journal

traurige therapeuten roman ingomar kieseritzky google books - Jul 07 2023

web ingomar von kieseritzkys vergnüglicher roman ist ein erzählerisches füllhorn der gebrechen ein malades brehms tierleben komisch absurd und unterhaltsam die