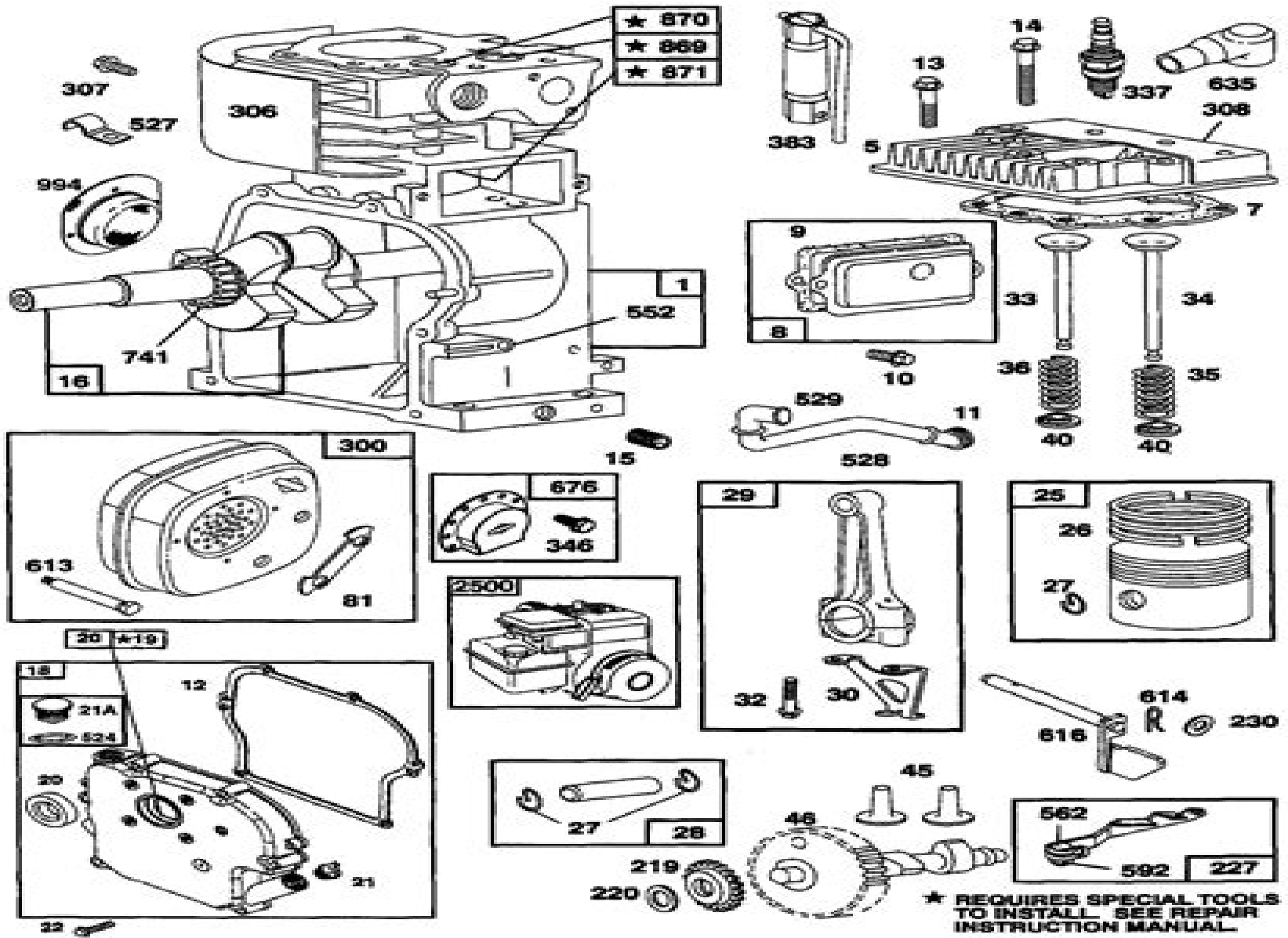


BRIGGS AND STRATTON ENGINE - MODEL NO. 137202-1117-E1



★ REQUIRES SPECIAL TOOLS TO INSTALL. SEE REPAIR INSTRUCTION MANUAL.

Briggs Stratton Quantum 5hp Manual

M Carnoy



Briggs Stratton Quantum 5hp Manual:

If you are craving such a referred **Briggs Stratton Quantum 5hp Manual** book that will come up with the money for you worth, acquire the categorically best seller from us currently from several preferred authors. If you want to humorous books, lots of novels, tale, jokes, and more fictions collections are next launched, from best seller to one of the most current released.

You may not be perplexed to enjoy all ebook collections Briggs Stratton Quantum 5hp Manual that we will very offer. It is not in the region of the costs. Its roughly what you dependence currently. This Briggs Stratton Quantum 5hp Manual, as one of the most committed sellers here will agreed be among the best options to review.

<https://stats.tinkerine.com/files/detail/HomePages/Bug%20Out%20Bag.pdf>

Table of Contents Briggs Stratton Quantum 5hp Manual

1. Understanding the eBook Briggs Stratton Quantum 5hp Manual
 - The Rise of Digital Reading Briggs Stratton Quantum 5hp Manual
 - Advantages of eBooks Over Traditional Books
2. Identifying Briggs Stratton Quantum 5hp Manual
 - Exploring Different Genres
 - Considering Fiction vs. Non-Fiction
 - Determining Your Reading Goals
3. Choosing the Right eBook Platform
 - Popular eBook Platforms
 - Features to Look for in an Briggs Stratton Quantum 5hp Manual
 - User-Friendly Interface
4. Exploring eBook Recommendations from Briggs Stratton Quantum 5hp Manual
 - Personalized Recommendations
 - Briggs Stratton Quantum 5hp Manual User Reviews and Ratings
 - Briggs Stratton Quantum 5hp Manual and Bestseller Lists

5. Accessing Briggs Stratton Quantum 5hp Manual Free and Paid eBooks
 - Briggs Stratton Quantum 5hp Manual Public Domain eBooks
 - Briggs Stratton Quantum 5hp Manual eBook Subscription Services
 - Briggs Stratton Quantum 5hp Manual Budget-Friendly Options
6. Navigating Briggs Stratton Quantum 5hp Manual eBook Formats
 - ePub, PDF, MOBI, and More
 - Briggs Stratton Quantum 5hp Manual Compatibility with Devices
 - Briggs Stratton Quantum 5hp Manual Enhanced eBook Features
7. Enhancing Your Reading Experience
 - Adjustable Fonts and Text Sizes of Briggs Stratton Quantum 5hp Manual
 - Highlighting and Note-Taking Briggs Stratton Quantum 5hp Manual
 - Interactive Elements Briggs Stratton Quantum 5hp Manual
8. Staying Engaged with Briggs Stratton Quantum 5hp Manual
 - Joining Online Reading Communities
 - Participating in Virtual Book Clubs
 - Following Authors and Publishers Briggs Stratton Quantum 5hp Manual
9. Balancing eBooks and Physical Books Briggs Stratton Quantum 5hp Manual
 - Benefits of a Digital Library
 - Creating a Diverse Reading Collection Briggs Stratton Quantum 5hp Manual
10. Overcoming Reading Challenges
 - Dealing with Digital Eye Strain
 - Minimizing Distractions
 - Managing Screen Time
11. Cultivating a Reading Routine Briggs Stratton Quantum 5hp Manual
 - Setting Reading Goals Briggs Stratton Quantum 5hp Manual
 - Carving Out Dedicated Reading Time
12. Sourcing Reliable Information of Briggs Stratton Quantum 5hp Manual
 - Fact-Checking eBook Content of Briggs Stratton Quantum 5hp Manual
 - Distinguishing Credible Sources
13. Promoting Lifelong Learning

- Utilizing eBooks for Skill Development
 - Exploring Educational eBooks
14. Embracing eBook Trends
- Integration of Multimedia Elements
 - Interactive and Gamified eBooks

Briggs Stratton Quantum 5hp Manual Introduction

Free PDF Books and Manuals for Download: Unlocking Knowledge at Your Fingertips In today's fast-paced digital age, obtaining valuable knowledge has become easier than ever. Thanks to the internet, a vast array of books and manuals are now available for free download in PDF format. Whether you are a student, professional, or simply an avid reader, this treasure trove of downloadable resources offers a wealth of information, conveniently accessible anytime, anywhere. The advent of online libraries and platforms dedicated to sharing knowledge has revolutionized the way we consume information. No longer confined to physical libraries or bookstores, readers can now access an extensive collection of digital books and manuals with just a few clicks. These resources, available in PDF, Microsoft Word, and PowerPoint formats, cater to a wide range of interests, including literature, technology, science, history, and much more. One notable platform where you can explore and download free Briggs Stratton Quantum 5hp Manual PDF books and manuals is the internet's largest free library. Hosted online, this catalog compiles a vast assortment of documents, making it a veritable goldmine of knowledge. With its easy-to-use website interface and customizable PDF generator, this platform offers a user-friendly experience, allowing individuals to effortlessly navigate and access the information they seek. The availability of free PDF books and manuals on this platform demonstrates its commitment to democratizing education and empowering individuals with the tools needed to succeed in their chosen fields. It allows anyone, regardless of their background or financial limitations, to expand their horizons and gain insights from experts in various disciplines. One of the most significant advantages of downloading PDF books and manuals lies in their portability. Unlike physical copies, digital books can be stored and carried on a single device, such as a tablet or smartphone, saving valuable space and weight. This convenience makes it possible for readers to have their entire library at their fingertips, whether they are commuting, traveling, or simply enjoying a lazy afternoon at home. Additionally, digital files are easily searchable, enabling readers to locate specific information within seconds. With a few keystrokes, users can search for keywords, topics, or phrases, making research and finding relevant information a breeze. This efficiency saves time and effort, streamlining the learning process and allowing individuals to focus on extracting the information they need. Furthermore, the availability of free PDF books and manuals fosters a culture of continuous learning. By removing financial barriers, more people can access educational resources and pursue lifelong learning, contributing to

personal growth and professional development. This democratization of knowledge promotes intellectual curiosity and empowers individuals to become lifelong learners, promoting progress and innovation in various fields. It is worth noting that while accessing free Briggs Stratton Quantum 5hp Manual PDF books and manuals is convenient and cost-effective, it is vital to respect copyright laws and intellectual property rights. Platforms offering free downloads often operate within legal boundaries, ensuring that the materials they provide are either in the public domain or authorized for distribution. By adhering to copyright laws, users can enjoy the benefits of free access to knowledge while supporting the authors and publishers who make these resources available. In conclusion, the availability of Briggs Stratton Quantum 5hp Manual free PDF books and manuals for download has revolutionized the way we access and consume knowledge. With just a few clicks, individuals can explore a vast collection of resources across different disciplines, all free of charge. This accessibility empowers individuals to become lifelong learners, contributing to personal growth, professional development, and the advancement of society as a whole. So why not unlock a world of knowledge today? Start exploring the vast sea of free PDF books and manuals waiting to be discovered right at your fingertips.

FAQs About Briggs Stratton Quantum 5hp Manual Books

How do I know which eBook platform is the best for me? Finding the best eBook platform depends on your reading preferences and device compatibility. Research different platforms, read user reviews, and explore their features before making a choice. Are free eBooks of good quality? Yes, many reputable platforms offer high-quality free eBooks, including classics and public domain works. However, make sure to verify the source to ensure the eBook credibility. Can I read eBooks without an eReader? Absolutely! Most eBook platforms offer webbased readers or mobile apps that allow you to read eBooks on your computer, tablet, or smartphone. How do I avoid digital eye strain while reading eBooks? To prevent digital eye strain, take regular breaks, adjust the font size and background color, and ensure proper lighting while reading eBooks. What the advantage of interactive eBooks? Interactive eBooks incorporate multimedia elements, quizzes, and activities, enhancing the reader engagement and providing a more immersive learning experience. Briggs Stratton Quantum 5hp Manual is one of the best book in our library for free trial. We provide copy of Briggs Stratton Quantum 5hp Manual in digital format, so the resources that you find are reliable. There are also many Ebooks of related with Briggs Stratton Quantum 5hp Manual. Where to download Briggs Stratton Quantum 5hp Manual online for free? Are you looking for Briggs Stratton Quantum 5hp Manual PDF? This is definitely going to save you time and cash in something you should think about. If you trying to find then search around for online. Without a doubt there are numerous these available and many of them have the freedom. However without doubt you receive whatever you purchase. An alternate way to get ideas is always to check

another Briggs Stratton Quantum 5hp Manual. This method for see exactly what may be included and adopt these ideas to your book. This site will almost certainly help you save time and effort, money and stress. If you are looking for free books then you really should consider finding to assist you try this. Several of Briggs Stratton Quantum 5hp Manual are for sale to free while some are payable. If you arent sure if the books you would like to download works with for usage along with your computer, it is possible to download free trials. The free guides make it easy for someone to free access online library for download books to your device. You can get free download on free trial for lots of books categories. Our library is the biggest of these that have literally hundreds of thousands of different products categories represented. You will also see that there are specific sites catered to different product types or categories, brands or niches related with Briggs Stratton Quantum 5hp Manual. So depending on what exactly you are searching, you will be able to choose e books to suit your own need. Need to access completely for Campbell Biology Seventh Edition book? Access Ebook without any digging. And by having access to our ebook online or by storing it on your computer, you have convenient answers with Briggs Stratton Quantum 5hp Manual To get started finding Briggs Stratton Quantum 5hp Manual, you are right to find our website which has a comprehensive collection of books online. Our library is the biggest of these that have literally hundreds of thousands of different products represented. You will also see that there are specific sites catered to different categories or niches related with Briggs Stratton Quantum 5hp Manual So depending on what exactly you are searching, you will be able tochoose ebook to suit your own need. Thank you for reading Briggs Stratton Quantum 5hp Manual. Maybe you have knowledge that, people have search numerous times for their favorite readings like this Briggs Stratton Quantum 5hp Manual, but end up in harmful downloads. Rather than reading a good book with a cup of coffee in the afternoon, instead they juggled with some harmful bugs inside their laptop. Briggs Stratton Quantum 5hp Manual is available in our book collection an online access to it is set as public so you can download it instantly. Our digital library spans in multiple locations, allowing you to get the most less latency time to download any of our books like this one. Merely said, Briggs Stratton Quantum 5hp Manual is universally compatible with any devices to read.

Find Briggs Stratton Quantum 5hp Manual :

bug out bag

[bucky and bonnies library adventure](#)

building game unity blender lee

~~budgerigars calendar just budgerigars calendar 2015 wall calendars parakeet calendars animal calendars~~

build window replacement business special

[building small boats](#)

buell forum manual

buenos dias espiritu santo spanish edition

building a biblical faith a seekers guide to christian theology

~~buddhist sutras lesson book buddhist sutras lesson book~~

~~building brand with direct response television~~

buick rendezvous 2015 repair manual

buckshot loading manual 3rd ed

~~building social business building social business~~

buenas noches punpun 1

Briggs Stratton Quantum 5hp Manual :

cladema filosofía adiós a la verdad epub weltbild - Jan 14 2023

web adiós a la verdad cla de ma filosofia band 2591 u kunt hier alle boeken van vattimo gianni opzoeken bij euro boek nl kunt u antiquarische und nieuwe boeken

adiós a la verdad cla de ma filosofía iberlibro com - Mar 16 2023

web jun 5 2020 ebook shop cladema filosofía adiós a la verdad von gianni vattimo als download jetzt ebook herunterladen bequem mit ihrem tablet oder ebook reader

adios a la verdad cladema filosofia staging mphasetech com - Dec 01 2021

adios a la verdad cladema filosofia ai classmonitor com - Sep 10 2022

web 2 adios a la verdad cladema filosofia 2020 08 27 adios a la verdad cladema filosofia downloaded from ws 1 ps2pdf com by guest rodgers maximillian

adios a la verdad cladema filosofia ai classmonitor com - Oct 31 2021

pdf adiós a la verdad victor reyes academia edu - May 18 2023

web adiós a la verdad cla de ma filosofia vattimo gianni isbn 9788497841672 kostenloser versand für alle bücher mit versand und verkauf duch amazon

adiós a la verdad cla de ma filosofía amazon es - Sep 22 2023

web en este nuevo trabajo gianni vattimo nos demuestra como la verdad se ha transformado en la representación más encumbrada de la cultura contemporánea la filosofía la religión y la política pero también y fundamentalmente nuestra

experiencia cotidiana están

adiós a la verdad cla de ma filosofía amazon de - Apr 17 2023

web adiós a la verdad cla de ma filosofía de vattimo gianni en iberlibro com isbn 10 8497841670 isbn 13 9788497841672

gedisa 2011 tapa blanda

adios apuntes cursos - Apr 05 2022

web resumen y sinopsis de adiós a la verdad de gianni vattimo en este nuevo trabajo gianni vattimo nos demuestra como la verdad se ha transformado en la representación más

9788497841672 adiós a la verdad cla de ma filosofía - Nov 12 2022

web adios a la verdad cladema filosofia 5 5 alex ovechkin and the washington capitals win the cup with more than 200

images hundreds of star players and dozens of artifacts

[adios a la verdad cladema filosofia ws 1 ps2pdf com](#) - Jul 08 2022

web sep 8 2023 adios a la verdad cladema filosofia is available in our book collection an online access to it is set as public so you can download it instantly our book servers

[adios a la verdad cladema filosofia copy ead3 archivists](#) - Aug 21 2023

web adios a la verdad cladema filosofia adios a la verdad cladema filosofia 2 downloaded from ead3 archivists org on 2020 07 16 by guest cartoons cult movies and tv

adios a la verdad cladema filosofia jeroone com - Jun 07 2022

web sep 22 2022 analizar las diferentes vías que utiliza santo tomás para demostrar la existencia de dios las cinco vías tienen una estructura lógica común 1 er paso todas

[adios a la verdad cladema filosofia](#) - Mar 04 2022

web apr 7 2023 adios a la verdad cladema filosofia 1 9 downloaded from uniport edu ng on april 7 2023 by guest adios a la verdad cladema filosofia this is likewise one of the

adios a la verdad gianni vattimo casa del libro - Dec 13 2022

web adios a la verdad cladema filosofia whispering the secrets of language an emotional journey through adios a la verdad cladema filosofia in a digitally driven world where

[pdf adios a la verdad elizabeth nina academia edu](#) - Feb 15 2023

web sinopsis de adios a la verdad en este nuevo trabajo gianni vattimo nos demuestra como la verdad se ha transformado en la representación más encumbrada de la cultura

adiós a la verdad cladema filosofía versión kindle amazon es - Jul 20 2023

web adiós a la verdad cladema filosofía ebook vattimo gianni amazon es libros

adios a la verdad cladema filosofia book - Oct 11 2022

web apache 2 4 57 debian server at gccca eu port 80

adios a la verdad cladema filosofia pdf uniport edu - May 06 2022

web adios a la verdad cladema filosofia 3 3 problematizing aspects of heidegger s and vice versa the result is a broad ranging collection of essays that provides a series of

gccca eu - Aug 09 2022

web connections if you target to download and install the adios a la verdad cladema filosofia it is extremely simple then back currently we extend the connect to buy and

adiós a la verdad libro de gianni vattimo reseña lecturalia - Feb 03 2022

web 2 adios a la verdad cladema filosofia 2022 01 13 adios a la verdad cladema filosofia downloaded from staging mphasetech com by guest mareli stokes the

adios a la verdad cladema filosofia pdf uniport edu - Jan 02 2022

web adios a la verdad cladema filosofia downloaded from ai classmonitor com by guest morgan jovani code of the samurai cheyenne mccray llc sun tzu s the art of

adiós a la verdad cladema filosofia spanish edition kindle - Jun 19 2023

web adiós a la verdad cladema filosofía spanish edition ebook vattimo gianni amazon co uk kindle store

neuro le mange mystères tome 21 bdfugue com - Mar 10 2023

web oct 10 2012 feuilletez un extrait de neuro le mange mystères tome 21 de yusei matsui 1ère librairie en ligne spécialisée bd envois rapides et soignés

neuro tome 21 ebook au format epub fixed layout yusei matsui - Nov 06 2022

web jan 17 2023 obtenez le livre neuro tome 21 de yusei matsui au format epub fixed layout sur e leclerc

neuro tome 21 neuro yūsei matsui broché achat livre - Jul 14 2023

web neuro tome 21 neuro yūsei matsui glénat des milliers de livres avec la livraison chez vous en 1 jour ou en magasin avec 5 de réduction

neuro tome 21 ebook epub illustré yūsei matsui fnac - Jun 13 2023

web neuro tome 21 yūsei matsui glénat manga des milliers de livres avec la livraison chez vous en 1 jour ou en magasin avec 5 de réduction neuro tome 21 ebook epub illustré yūsei matsui achat ebook fnac

neuro tome 21 Éditions glénat - Dec 27 2021

web oct 10 2012 l inspecteur sasazuka décide d affronter six le véritable assassin de sa famille tout seul il liquide un à un ses gardes du corps mais est pris à revers par l inspecteur ishigaki qui le poignarde dans le dos yako accourue sur place

assistera t elle à la scène une suite de chocs terribles l attend au tournant

neuro tome 20 neuro 20 matsui yusei amazon com tr kitap - Jan 08 2023

web 5 yıldız üzerinden 4 44 değerlendirme tüm biçimleri ve sürümleri görün ciltsiz 183 12 tl ciltsiz 183 12 tl 1 yeni başlangıç fiyatı 183 12 tl yurtdışından rahatlıkla alışverişinizi yapın gümrük işlemleri teslimat süresi ve iade süreçleri hakkında detaylı bilgi

naruto 21 cilt affetmeyeceğim masası kişimoto fiyat - Mar 30 2022

web naruto 21 cilt affetmeyeceğim kitap açıklaması naruto ünlü mangaka masası kişimoto tarafından yaratılan 1999 yılından beri japonya da yayınlanan dünyaca ünlü manga serisi artık türkiye de bugüne kadar japonya da 100 milyondan fazla satan naruto serisi 2002 yılında bu başarısı taçlandırarak animeye uyarlandı

neuro tome 21 de yusei matsui echangez votre livre sur bibliotroc - Jan 28 2022

web echangez le livre neuro tome 21 de yusei matsui l inspecteur sasazuka décide d affronter six le véritable assassin de sa famille tout seul il liquide un à un ses gardes du corps mais est pris

neuro tome 22 neuro 22 cep kitabı 6 Şubat 2013 - Oct 05 2022

web neuro tome 22 neuro 22 matsui yusei amazon com tr kitap Çerez tercihlerinizi seçin Çerez bildirimimizde ayrıntılı şekilde açıklandığı üzere alışveriş yapmanızı sağlamak alışveriş deneyiminizi iyileştirmek ve hizmetlerimizi sunmak için gerekli olan çerezleri ve benzer araçları kullanırız

neuro tome 21 manga au meilleur prix e leclerc - Jun 01 2022

web neuro tome 21 manga achat en ligne au meilleur prix sur e leclerc retrait gratuit dans de 700 magasins

neuro tome 21 pocket book 10 october 2012 amazon in - Aug 03 2022

web amazon in buy neuro tome 21 book online at best prices in india on amazon in read neuro tome 21 book reviews author details and more at amazon in free delivery on qualified orders

vente de neuro tome 21 sur votre bd librairie en ligne - Apr 30 2022

web librairie bd vente neuro tome 21 mais aussi bandes dessinées toiles tee shirts

amazon fr neuro tome 21 matsui yusei livres - Aug 15 2023

web noté 5 retrouvez neuro tome 21 et des millions de livres en stock sur amazon fr achetez neuf ou d occasion

neuro tome 11 neuro 11 kağıt kapak 21 nisan 2010 - Jul 02 2022

web neuro tome 11 neuro 11 matsui yusei amazon com tr kitap Çerez tercihlerinizi seçin Çerez bildirimimizde ayrıntılı şekilde açıklandığı üzere alışveriş yapmanızı sağlamak alışveriş deneyiminizi iyileştirmek ve hizmetlerimizi sunmak için gerekli olan çerezleri ve benzer araçları kullanırız

neuro tome 21 format kindle amazon fr - Apr 11 2023

web noté 5 achetez et téléchargez neuro tome 21 ebook par matsui yusei retrouvez des millions de ebooks sur amazon fr [neuro tome 21 french edition kindle comixology](#) - Feb 09 2023

web jul 26 2017 neuro tome 21 french edition kindle edition by matsui yusei download it once and read it on your kindle device pc phones or tablets use features like bookmarks note taking and highlighting while reading neuro tome 21 french edition

neuro tome 21 ebook au format epub fixed layout à - Dec 07 2022

web feb 11 2023 téléchargez le livre neuro tome 21 de yusei matsui en ebook au format epub fixed layout sur vivlio et retrouvez le sur votre liseuse préférée

neuro tome 21 Éditions glénat - May 12 2023

web oct 10 2012 1629 ou l effrayante histoire des naufragés du jakarta tome 01 9782344045107 rectificando tome 02 9782344051290 comics catalogue action et aventure

the untamed 21 bÖlÜm mor fansub - Feb 26 2022

web jan 3 2020 cevapla 21 bölümdür bi mağara sahnesinde azcık lan zhan kiskandı şarkı söyledi filan onun dımdakaç bölümdür lan zhanı görmedik sonra kaç bölüm weiye görmedik ekrar ikiside var weiye bi şey olmuş lan zhana piç gibi davranıyor ne zaman öpüşceksiniz sz öpüşmeyi geö sarılmadınız bile had onuda geç gülümseyin

[neuro tome 21 de yusei matsui echangez votre livre sur bibliotroc](#) - Sep 04 2022

web echangez le livre neuro tome 21 de yusei matsui l inspecteur sasazuka décide d affronter six le véritable assassin de sa famille tout seul il liquide un à un ses gardes du corps mais est pris

nbc bearing price list 2013 pdf uniport edu - Aug 27 2022

web sep 8 2023 nbc bearing price list here we have shared the price list of nbc ball bearings if you want to download the price list and package size of nbc bearings

nbc bearing price list 2023 pdf download aiemd - Jun 24 2022

web nbc bearing price list 2013 government at a glance 2015 this town the multinationals play learning the dangerous case of donald trump amusing ourselves to death

[nbc mrrp list 16 5 12 pdf scribd](#) - Dec 19 2021

[Å¾¼ w](#) - Nov 17 2021

nbc bearing price list 2013 pdf pdf status restek wwu - Nov 29 2022

web know the difference between original and fake bearings to know if the nbc product is genuine sms the unique code

written on the bearing at 092507 92507 nbc àuför

nbc bearings new development item list bearing - Dec 31 2022

web nbc 0 ck birla croup author raghav kant sharma created date 8 4 2023 11 37 16 am

buy nbc ball bearings online at lowest price in india moglix - Feb 01 2023

web nbc bearing price list 2013 pdf introduction nbc bearing price list 2013 pdf pdf title nbc bearing price list 2013 pdf pdf status restek wwu edu created date

nbc pricelist gokul traders - Sep 08 2023

web nbc price list free download as excel spreadsheet xls xlsx pdf file pdf text file txt or read online for free latest price list of nbc bearings

we are updating the price list and will post here shortly - Oct 29 2022

web jun 29 2023 we give nbc bearing price list 2013 and numerous books collections from fictions to scientific research in any way in the course of them is this nbc bearing price

nbc bearing price list 2013 protease odontocompany - Apr 22 2022

web we offer nbc bearing price list and numerous books collections from fictions to scientific research in any way in the middle of them is this nbc bearing price list that can be

nbc bearings bearing manufacturer in india bearing catalogue - Jun 05 2023

web nbc bearings is the brand of national engineering industries limited nei a part of the us 2 8 billion c k birla group which manufactures a wide range of bearings for the

nbc bearing price list 2023 pdf download instapdf - Oct 09 2023

web jan 17 2022 nbc bearing price list effective 17 01 2022 gokul traders

nbcbearings com - Jul 06 2023

web below is an alphabetical list of the product market and service brochures that we have which you can download for further information and help please email us at

nbc price list pdf scribd - Aug 07 2023

web pdf 1 5 37 0 obj type extgstate ri relativecolorimetric endobj 38 0 obj type ocg name endobj 39 0 obj type extgstate op false op false opm 0

nbc bearings wikipedia - May 04 2023

web maximum retail price list bearing no mrp case in rs qty bearing no mrp case in rs qty bearing no mrp case in rs qty 6212znr 926 14 6212zz 761 12 6213 903 12 6213n 942

¼ w nbc - Jan 20 2022

web $\frac{3}{4}$ w 5 q çëç ñ ñ Đ ñg ñ ñd ç Ê ï ñÿ g ñàëÊ ñ Ê qÿÊá g q ë ñÊ ç ñ g ë ñ Ê g ñ ç ñ ñ qÊ g h ñÊ ç ñ

[nbc bearing price list 2013 pdf uniport edu](#) - May 24 2022

web 4 nbc bearing price list 2013 2021 12 28 manual for every parent of twins the stolen daughter oecd publishing the definitive book on sensory branding shows how

[nbc bearing price list 2013 implantes odontocompany](#) - Jul 26 2022

web may 30 2023 nbc bearing price list 2013 1 12 downloaded from uniport edu ng on may 30 2023 by guest nbc bearing price list 2013 getting the books nbc bearing price

[nbc bearing price list help environment harvard edu](#) - Feb 18 2022

web of 13 bearing no mrp wef 16 5 12 in rs 1203 1205k 1206k 1208m 1208km 1209k 1211k 16003 16004 16010 1838001 1838002 1888180 1888451 20x55x11

[nbc ball bearings latest price dealers retailers in](#) - Mar 02 2023

web bearing no new mrp in rs cylindrical roller bearings nu316 ef 4960 spherical roller bearings 22208 cc c3 w33 1850 00 22208k cc c3 w33 1850 00 22209 cc c3 w33

[maximum retail price list gokul traders](#) - Apr 03 2023

web moglix offers superior quality and genuine ball bearings from a renowned brand nbc easily browse through our assortment and explore more about price specifications

[nbc bearing price list 2013 copy stage gapinc](#) - Mar 22 2022

web $\frac{3}{4}$ w 5 q çëç ñ ñ Đ ñg ñ ñd ç Ê ï ñÿ g ñàëÊ ñ Ê qÿÊá g q ë ñÊ ç ñ g ë ñ Ê g ñ ç ñ ñ qÊ g h ñÊ ç ñ

[mrp rate list 2021 4 3 2021 gokul traders](#) - Sep 27 2022

web nbc bearing price list 2013 5 5 american painters this book establishes for the first time a category of impressionist american painters who focused on or were profoundly