

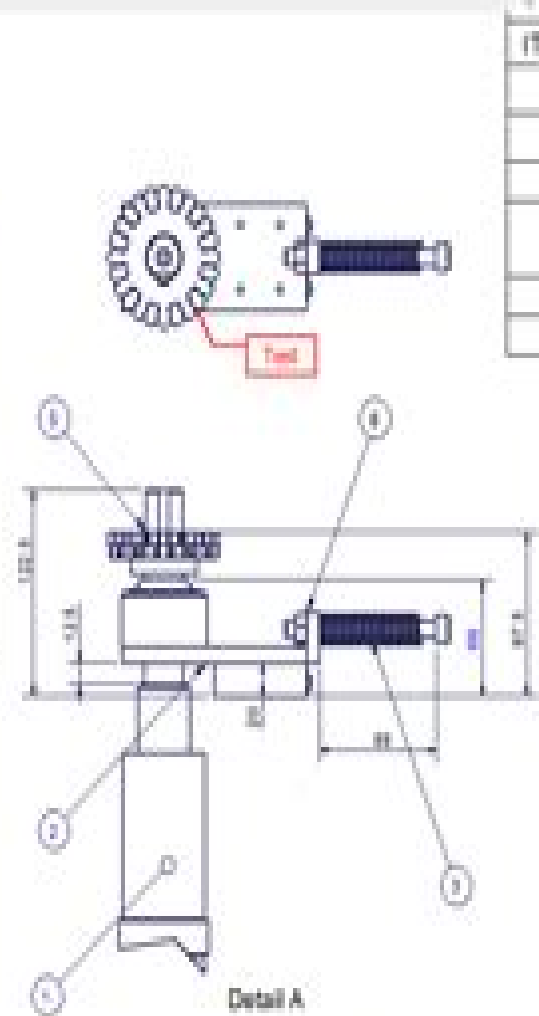
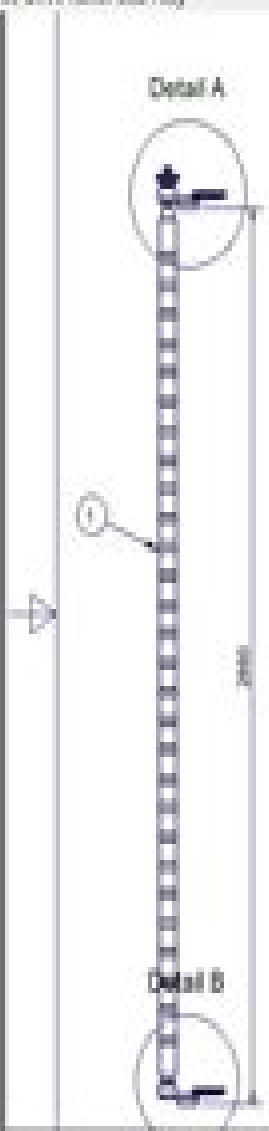


03 Drive Roller Sub Assy

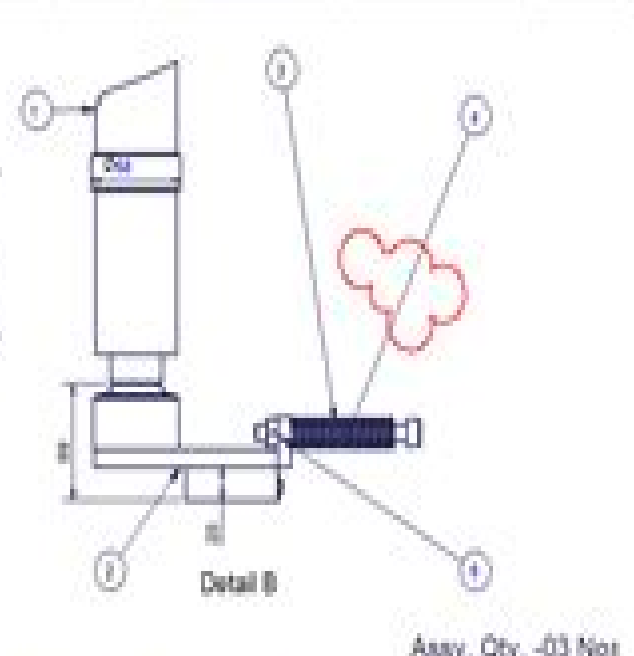
- 03 Drive Roller Sub Assy
 - 01 Spur
 - 01 Pinhead 1
 - 03 Drive Roller (Sub) **03**
 - 01 Markup 1
 - 01 Markup 2
 - 03 Drive Roller (Pin) **03**
 - 01 Pin overlapping bot
 - 01 Remove tolerance
 - 03 Washer Top Cover Detail **03**
 - 01 Is it possible to replace Pin with a sh...

Let View: Thumbnails Markup Model

Markup Properties



ITEM	Qty	File Name	Description	Star
1	1	VW052-00-0200-2	Drive Roller	See Dwg VW052-00-0200-00
2	2	VW052-00-1000	Big Block Side	See Dwg VW052-00-0200-00
3	2	M10X110LW	Allen Bolt M10x110	B.O.
4	2	VW052-00-0304	SS Coil Spring 10-10, Size of Coil-15, Wire Dia.2	B.O.
5	1	NYLON_GEAR	Roll Gear	See Dwg VW
6	2	M10_MUT	8 Hex Nut M10	B.O.



Drawn by	Checked by	Approved by	Date

Assy. Qty. -03 Not

Autodesk Design Review Manual

L Cohen



Autodesk Design Review Manual:

Discover tales of courage and bravery in Crafted by is empowering ebook, Stories of Fearlessness: **Autodesk Design Review Manual** . In a downloadable PDF format (Download in PDF: *), this collection inspires and motivates. Download now to witness the indomitable spirit of those who dared to be brave.

https://stats.tinkerine.com/About/browse/Download_PDFS/Avengers%20Age%20Of%20Ultron%20New%20Team.pdf

Table of Contents Autodesk Design Review Manual

1. Understanding the eBook Autodesk Design Review Manual
 - The Rise of Digital Reading Autodesk Design Review Manual
 - Advantages of eBooks Over Traditional Books
2. Identifying Autodesk Design Review Manual
 - Exploring Different Genres
 - Considering Fiction vs. Non-Fiction
 - Determining Your Reading Goals
3. Choosing the Right eBook Platform
 - Popular eBook Platforms
 - Features to Look for in an Autodesk Design Review Manual
 - User-Friendly Interface
4. Exploring eBook Recommendations from Autodesk Design Review Manual
 - Personalized Recommendations
 - Autodesk Design Review Manual User Reviews and Ratings
 - Autodesk Design Review Manual and Bestseller Lists
5. Accessing Autodesk Design Review Manual Free and Paid eBooks
 - Autodesk Design Review Manual Public Domain eBooks
 - Autodesk Design Review Manual eBook Subscription Services
 - Autodesk Design Review Manual Budget-Friendly Options
6. Navigating Autodesk Design Review Manual eBook Formats

- ePub, PDF, MOBI, and More
 - Autodesk Design Review Manual Compatibility with Devices
 - Autodesk Design Review Manual Enhanced eBook Features
7. Enhancing Your Reading Experience
 - Adjustable Fonts and Text Sizes of Autodesk Design Review Manual
 - Highlighting and Note-Taking Autodesk Design Review Manual
 - Interactive Elements Autodesk Design Review Manual
 8. Staying Engaged with Autodesk Design Review Manual
 - Joining Online Reading Communities
 - Participating in Virtual Book Clubs
 - Following Authors and Publishers Autodesk Design Review Manual
 9. Balancing eBooks and Physical Books Autodesk Design Review Manual
 - Benefits of a Digital Library
 - Creating a Diverse Reading Collection Autodesk Design Review Manual
 10. Overcoming Reading Challenges
 - Dealing with Digital Eye Strain
 - Minimizing Distractions
 - Managing Screen Time
 11. Cultivating a Reading Routine Autodesk Design Review Manual
 - Setting Reading Goals Autodesk Design Review Manual
 - Carving Out Dedicated Reading Time
 12. Sourcing Reliable Information of Autodesk Design Review Manual
 - Fact-Checking eBook Content of Autodesk Design Review Manual
 - Distinguishing Credible Sources
 13. Promoting Lifelong Learning
 - Utilizing eBooks for Skill Development
 - Exploring Educational eBooks
 14. Embracing eBook Trends
 - Integration of Multimedia Elements
 - Interactive and Gamified eBooks

Autodesk Design Review Manual Introduction

Autodesk Design Review Manual Offers over 60,000 free eBooks, including many classics that are in the public domain. Open Library: Provides access to over 1 million free eBooks, including classic literature and contemporary works. Autodesk Design Review Manual Offers a vast collection of books, some of which are available for free as PDF downloads, particularly older books in the public domain. Autodesk Design Review Manual : This website hosts a vast collection of scientific articles, books, and textbooks. While it operates in a legal gray area due to copyright issues, its a popular resource for finding various publications. Internet Archive for Autodesk Design Review Manual : Has an extensive collection of digital content, including books, articles, videos, and more. It has a massive library of free downloadable books. Free-eBooks Autodesk Design Review Manual Offers a diverse range of free eBooks across various genres. Autodesk Design Review Manual Focuses mainly on educational books, textbooks, and business books. It offers free PDF downloads for educational purposes. Autodesk Design Review Manual Provides a large selection of free eBooks in different genres, which are available for download in various formats, including PDF. Finding specific Autodesk Design Review Manual, especially related to Autodesk Design Review Manual, might be challenging as theyre often artistic creations rather than practical blueprints. However, you can explore the following steps to search for or create your own Online Searches: Look for websites, forums, or blogs dedicated to Autodesk Design Review Manual, Sometimes enthusiasts share their designs or concepts in PDF format. Books and Magazines Some Autodesk Design Review Manual books or magazines might include. Look for these in online stores or libraries. Remember that while Autodesk Design Review Manual, sharing copyrighted material without permission is not legal. Always ensure youre either creating your own or obtaining them from legitimate sources that allow sharing and downloading. Library Check if your local library offers eBook lending services. Many libraries have digital catalogs where you can borrow Autodesk Design Review Manual eBooks for free, including popular titles. Online Retailers: Websites like Amazon, Google Books, or Apple Books often sell eBooks. Sometimes, authors or publishers offer promotions or free periods for certain books. Authors Website Occasionally, authors provide excerpts or short stories for free on their websites. While this might not be the Autodesk Design Review Manual full book , it can give you a taste of the authors writing style. Subscription Services Platforms like Kindle Unlimited or Scribd offer subscription-based access to a wide range of Autodesk Design Review Manual eBooks, including some popular titles.

FAQs About Autodesk Design Review Manual Books

How do I know which eBook platform is the best for me? Finding the best eBook platform depends on your reading preferences and device compatibility. Research different platforms, read user reviews, and explore their features before

making a choice. Are free eBooks of good quality? Yes, many reputable platforms offer high-quality free eBooks, including classics and public domain works. However, make sure to verify the source to ensure the eBook credibility. Can I read eBooks without an eReader? Absolutely! Most eBook platforms offer webbased readers or mobile apps that allow you to read eBooks on your computer, tablet, or smartphone. How do I avoid digital eye strain while reading eBooks? To prevent digital eye strain, take regular breaks, adjust the font size and background color, and ensure proper lighting while reading eBooks. What the advantage of interactive eBooks? Interactive eBooks incorporate multimedia elements, quizzes, and activities, enhancing the reader engagement and providing a more immersive learning experience. Autodesk Design Review Manual is one of the best book in our library for free trial. We provide copy of Autodesk Design Review Manual in digital format, so the resources that you find are reliable. There are also many Ebooks of related with Autodesk Design Review Manual. Where to download Autodesk Design Review Manual online for free? Are you looking for Autodesk Design Review Manual PDF? This is definitely going to save you time and cash in something you should think about. If you trying to find then search around for online. Without a doubt there are numerous these available and many of them have the freedom. However without doubt you receive whatever you purchase. An alternate way to get ideas is always to check another Autodesk Design Review Manual. This method for see exactly what may be included and adopt these ideas to your book. This site will almost certainly help you save time and effort, money and stress. If you are looking for free books then you really should consider finding to assist you try this. Several of Autodesk Design Review Manual are for sale to free while some are payable. If you arent sure if the books you would like to download works with for usage along with your computer, it is possible to download free trials. The free guides make it easy for someone to free access online library for download books to your device. You can get free download on free trial for lots of books categories. Our library is the biggest of these that have literally hundreds of thousands of different products categories represented. You will also see that there are specific sites catered to different product types or categories, brands or niches related with Autodesk Design Review Manual. So depending on what exactly you are searching, you will be able to choose e books to suit your own need. Need to access completely for Campbell Biology Seventh Edition book? Access Ebook without any digging. And by having access to our ebook online or by storing it on your computer, you have convenient answers with Autodesk Design Review Manual To get started finding Autodesk Design Review Manual, you are right to find our website which has a comprehensive collection of books online. Our library is the biggest of these that have literally hundreds of thousands of different products represented. You will also see that there are specific sites catered to different categories or niches related with Autodesk Design Review Manual So depending on what exactly you are searching, you will be able tochoose ebook to suit your own need. Thank you for reading Autodesk Design Review Manual. Maybe you have knowledge that, people have search numerous times for their favorite readings like this Autodesk Design Review Manual, but end up in harmful downloads. Rather than reading a good book with a cup of coffee in the afternoon,

instead they juggled with some harmful bugs inside their laptop. Autodesk Design Review Manual is available in our book collection an online access to it is set as public so you can download it instantly. Our digital library spans in multiple locations, allowing you to get the most less latency time to download any of our books like this one. Merely said, Autodesk Design Review Manual is universally compatible with any devices to read.

Find Autodesk Design Review Manual :

~~avengers age of ultron new team~~

avaya 4621sw ip phone manual

aventures dalice au pays merveilles

automobile year 2010 or 11 58

automobiel dieselmotoren deel iii serie automobielmotorrijwielen en rijwieltechniek met veel detailtek

automotive mechanics

~~automotive vauxhallopel timing belts manual haynes techbooks~~

automotive service job sheets for natef task mastery 08 by hadfield chris paperback 2007

automotive study resources and repair guide

~~autotrader birmingham~~

avaya definity g3 hardware guide

ave maria see learn and meditate on the mysteries of the rosary

average score on ap calculus exam 2013

avengers age of ultron free

avaya call center training manual

Autodesk Design Review Manual :

egyptian hieroglyphs a basic introduction to ancient egyptian hieroglyphs - Mar 30 2022

web learn to read hiero glyphs bird leg squiggly line diamond with arms riding a broomstick have you wondered what ancient egyptians were writing about with their hieroglyphs join me as i walk you through a general introduction to middle egyptian

how to read egyptian hieroglyphs wikipedia - Nov 06 2022

web how to read egyptian hieroglyphs uses a simple approach with just six categories signs depicting people or parts of the human body signs depicting creatures or parts of their bodies signs depicting sky earth water or plants

read pdf how to read egyptian hieroglyphs a step by step - Feb 26 2022

web apr 4 2022 the texts offer insights into the daily experiences of their ancient authors and touch on topics ranging from pharaonic administration to family life to the egyptian way of death with this book as a guide one can enjoy a whole new experience in understanding egyptian art and artifacts around the world download how to read egyptian

3 ways to read egyptian hieroglyphics wikihow - Apr 11 2023

web oct 22 2022 method 1 learning the ancient egyptian alphabet download article 1 obtain a visual chart of the egyptian hieroglyphic alphabet because hieroglyphics are images and not letters like we use in modern english it s quite difficult to describe how to read them if you can t visually see them

how to read egyptian hieroglyphs university of california press - Aug 03 2022

web how to read egyptian hieroglyphs a step by step guide to teach yourself revised edition by mark collier author bill manley author richard parkinson illustrator july 2003 first edition hardcover 33 95 title details rights selected countries pages 192 isbn 9780520239494 trim size 6 5 x 9 25 illustrations 200 b w illustrations

how to read egyptian hieroglyphs a step by step guide - Aug 15 2023

web apr 14 2020 how to read egyptian hieroglyphs a step by step guide to teach yourself pdf mark collier 1999 99 pages 45 51 mb english posted april 14 2020 submitted by osborne nicolas buy on amazon explore pdf download pdf convert to view on amazon read pdf online read online

how to read egyptian hieroglyphs a step by step guide to - May 12 2023

web abstract how to read egyptian hieroglyphs a step by step guide to teach yourself by mark collier and bill manley illustrated by richard parkinson 179 pages 200 b w illustrations berkeley university of california press 1998 18 95 paper on board isbn 0

how to read egyptian hieroglyphs a step by step gu john h - Jul 02 2022

web to read egyptian hieroglyphs a step by step gu as capably as evaluation them wherever you are now understanding hieroglyphs hilary wilson 1996 egyptian hieroglyphs w v davies 1987 the pocket guide to ancient egyptian 2 hieroglyphs richard parkinson 2004 02 16

how to read egyptian hieroglyphs a step by step to teach - Jun 01 2022

web abc of egyptian hieroglyphs the pocket guide to ancient egyptian hieroglyphs the riddle of the rosetta ancient egyptian hieroglyphs 100 hieroglyphs hieroglyphs from a to z decoding egyptian hieroglyphs how to read egyptian hieroglyphs write your own egyptian hieroglyphs how to read egyptian hieroglyphs a step by

how to read egyptian hieroglyphs a step by step guide to teach - Feb 09 2023

web a series of 43 exercises accompanies an easy to follow ten step guide and is supported by a reference section of sign lists

and a short dictionary at the end of the text background notes on general topics including gods royal dynasties and principal sites aim to help the reader to understand the historical concept print length 160 pages

[how to read egyptian hieroglyphs a step by step guide to](#) - Jul 14 2023

web feb 4 2019 a step by step guide to teach yourself addeddate 2019 02 04 23 58 52 identifier

howtoreadegyptianhieroglyphsastepbystepguidetoteachyourself 201902

[how to read egyptian hieroglyphs 10 tips for the beginner](#) - Oct 05 2022

web jan 28 2021 to change that scenario this article will give you a quick and dirty guide to reading egyptian hieroglyphs it covers 10 topics at a level just right to give you a basic understanding hopefully you find this helpful next time you see hieroglyphs and you can appreciate them from more than a purely aesthetic point of view

how to read egyptian hieroglyphs a step by step gu katy - Dec 27 2021

web quickly download this how to read egyptian hieroglyphs a step by step gu after getting deal so gone you require the book swiftly you can straight acquire it its so unquestionably simple and thus fats isnt it you have to favor to in this tone Nile Crossing Katy Beebe 2017 Khepri who lives in ancient Egypt begins to feel nervous as he

how to read egyptian hieroglyphs a step by step guide to - Jun 13 2023

web may 5 2003 amazon com how to read egyptian hieroglyphs a step by step guide to teach yourself revised edition 9780520239494 collier mark manley bill parkinson richard books

how to read egyptian hieroglyphs mark collier archive org - Dec 07 2022

web how to read egyptian hieroglyphs by mark collier publication date 1998 topics egyptian language writing hieroglyphic egyptian language textbooks for foreign speakers english egyptian language self instruction publisher

egyptian hieroglyphs for complete beginners new step by step - Sep 04 2022

web may 1 2012 bill manley national geographic books may 1 2012 history 160 pages an original and accessible approach to learning hieroglyphs written by an experienced teacher and author this is the

how to read egyptian hieroglyphs a step by step gu - Jan 28 2022

web available in english 3 ways to read egyptian hieroglyphics wikihow mar 12 2023 web oct 22 2022 reading ancient egyptian hieroglyphs 1 determine in which direction hieroglyphs should be read hieroglyphs can actually be read in almost any direction left to right right to left 2 deciphering ancient egyptian hieroglyphic nouns hieroglyphs have two

how to read egyptian hieroglyphs a step by step guide to - Mar 10 2023

web british museum press 1998 egyptian language 179 pages a practical teach yourself course on ancient egyptian hieroglyphs for the general reader in this text the grammar of ancient

egyptian hieroglyphics how to read hieroglyphs in the right order - Apr 30 2022

web feb 18 2020 subscribe 53k views 3 years ago in this video i walk you through how to read egyptian hieroglyphs in the correct order in previous videos i ve shown you how to write your name and how

how to read egyptian hieroglyphs a step by step guide to - Jan 08 2023

web how to read egyptian hieroglyphs a step by step guide to teach yourself mark collier bill manley google books view sample how to read egyptian hieroglyphs a step by step guide

[a handbook of practical auditing pdf gutebucher com](#) - Apr 04 2022

web download or read book a handbook of practical auditing written by bn tandon et al and published by s chand publishing this book was released on 2006 with total page 653 pages available in pdf epub and kindle book excerpt for the students of b com m com professional course of c a c s i c w a and professionals of financial

[a handbook of practical auditing harperandharley org](#) - Feb 02 2022

web a handbook of practical auditing by bn tandon et al for the students of b com m com professional course of c a c s i c w a and professionals of financial institutions get book the operational auditing handbook by andrew chambers graham rand

[a hand book of practical auditing routemybook](#) - Jun 06 2022

web a hand book of practical auditing contents 1 introduction 2 an overview of auditing 3 audit planning and control 4 internal control 5 vouching of cash transactions 6 vouching of trading transactions 7 the audit of impersonal ledger 8 verification and valuation of assets and liabilities 9

s chand a hand book of practical auditing by b n tandon goodreads - Nov 11 2022

web feb 4 2007 s chand a hand book of practical auditing b n tandon s sudharasanam 5 00 6 ratings0 reviews this book will be useful not only to the students for examination purposes but will also be useful from practical point of view

formats and editions of a handbook of practical auditing - Dec 12 2022

web a handbook of practical auditing for the students of b com m com professional course of c a c s i c w a and professionals of financial institutions by basheshar nath tandon s sudharsanam s sundharabahu

s chand a hand book of practical auditing b n tandon s - Oct 10 2022

web feb 4 2007 s chand a hand book of practical auditing b n tandon s sudharasanam on amazon com free shipping on qualifying offers s chand a hand book of practical auditing

s chand a hand book of practical auditing softcover abebooks - Jul 07 2022

web s chand a hand book of practical auditing by tandon b n sudharasanam s isbn 10 8121920418 isbn 13 9788121920414 chand s co ltd india 2007 softcover

download a handbook of practical auditing by bn tandon et - Mar 15 2023

web download a handbook of practical auditing by bn tandon et al pdf online home professional courses a handbook of

practical auditing a handbook of practical auditing 4225 views mrp 475 00 price 427 50 you will save 47 50 after 10 discount inclusive of all taxes instant delivery read it now on your device add to

a hand book of practical auditing s chand publishing - Apr 16 2023

web a hand book of practical auditing author b n tandon s sudharsnam s sundharabahu 0 reviews isbn 9788121920414 pages 672 binding paperback language english imprint s chand publishing year 1958

handbook of practical auditing by tandon unknown biblio - Aug 08 2022

web a handbook of practical auditing by s sundharabahu s sudharasanam b n tandon new condition new isbn 13 9788121920414 isbn 10 8121920418 quantity available 4 seller cold books woodside new york united states seller rating description

a handbook of practical auditing ebook bn tandon et al - May 17 2023

web a handbook of practical auditing revised edition kindle edition by bn tandon et al author format kindle edition 4 1 4 1 out of 5 stars 29 ratings

a handbook of practical auditing pdf scribd - Aug 20 2023

web a handbook practical auditing ry dr b n tandon m a eon ll agra moa com gab b com fom ph d reon munich dep srtrer of gomoirece usiness administration dull polslezhesic dethi ferurly of meerut college meerst 1958 8 chand coo deli jullundur lucknowf5s

practical auditing b n tandon google books - Jul 19 2023

web bibliographic information title practical auditing author b n tandon publisher s chand company 1982 export citation

pdf a handbook of practical auditing full read skill experto - Sep 09 2022

web download or read book a handbook of practical auditing written by bn tandon et al and published by s chand publishing this book was released on 2006 with total page 653 pages available in pdf epub and kindle book excerpt for the students of b com m com professional course of c a c s i c w a and professionals of financial

auditing notes pdf notes syllabus bba bcom 2023 - Mar 03 2022

web mar 20 2021 b n tandon s sudharsanam s sundharabahu practical auditing s chand company ltd s k mehta auditing diamond publication pune

a handbook of practical auditing by bn tandon et al google play - Jun 18 2023

web a handbook of practical auditing ebook written by bn tandon et al read this book using google play books app on your pc android ios devices download for offline reading highlight

a handbook of practical auditing b n tandon rokomari com - Jan 13 2023

web get author b n tandon s original book a handbook of practical auditing from rokomari com enjoy free shipping cash on

delivery and extra offers on eligible purchases

[a hand book of practical auditing paperback 4 feb 2007](#) - Feb 14 2023

web buy a hand book of practical auditing revised edition by b n tandon s sudharasanam isbn 9788121920414 from amazon s book store everyday low prices and free delivery on eligible orders

handbook of practical auditing english paperback tandon b n - May 05 2022

web handbook of practical auditing by tandon b n from flipkart com only genuine products 30 day replacement guarantee free shipping cash on delivery explore plus login become a seller more handbook of practical auditing english paperback

tandon b n share handbook of practical auditing english paperback tandon

[a handbook of practical auditing bn tandon et al google books](#) - Sep 21 2023

web a handbook of practical auditing bn tandon et al s chand publishing 2006 business economics 653 pages for the students of b com m com professional

amour how the french talk about love kindle edition - Jul 06 2022

web amour how the french talk about love ebook written by stefania rousselle read this book using google play books app on your pc android ios devices download for

english translation of l amour collins french english dictionary - Nov 29 2021

amour how the french talk about love paris update - Jul 18 2023

web jan 21 2020 to renew her faith in humanity she took off on a solo road trip across france determined to see if love still exists traveling from village to village farming

amour how the french talk about love kindle edition - Jun 05 2022

web amour how the french talk about love hardback rousselle stefania amazon com be books

amour how the french talk about love google play - Apr 03 2022

web amour how the french talk about love photographs and stories ebook written by stefania rousselle read this book using google play books app on your pc android

[amour how the french talk about love by stefania](#) - Nov 10 2022

web amour how the french talk about love kapak değişebilir rousselle stefania amazon com tr kitap

[amour how the french talk about love photographs and stories](#) - Sep 08 2022

web amour how the french talk about love ebook rousselle stefania amazon co uk kindle store

[amour how the french talk about love google books](#) - Oct 29 2021

amour how the french talk about love - Jan 12 2023

web from a baker in normandy to a shepherd in the pyrénées from a gay couple estranged from their families to a widow who found love again at 70 amour is a treasure trove of

amour how the french talk about love kindle edition amazon in - Oct 09 2022

web jan 23 2020 amour how the french talk about love kindle edition by rousselle stefania download it once and read it on your kindle device pc phones or tablets use

[amour how the french talk about love kapak değişebilir](#) - Aug 07 2022

web feb 3 2022 amour how the french talk about love is a honny style collection of essays and photographs about love based on nearly a hundred interviews with french

amour how the french talk about love alibris - Feb 01 2022

web jan 23 2020 from a baker in normandy to a shepherd in the pyrénées from a gay couple estranged from their families to a widow who found love again at 70 amour is a

[amour how the french talk about love photographs](#) - Jun 17 2023

web buy amour how the french talk about love by rousselle stefania isbn 9780241406137 from amazon s book store everyday low prices and free delivery on

learn to love like the french with these 5 books frenchly - May 04 2022

web buy amour how the french talk about love by stefania rousselle online at alibris we have new and used copies available in 1 editions starting at 15 96 shop now

amour how the french talk about love - Dec 11 2022

web amour how the french talk about love photographs and stories by stefania rousselle write a review hardcover 25 00 hardcover 25 00 ebook 13 99 view all available

[amour how the french talk about love](#) - Sep 27 2021

amour how the french talk about love google books - Feb 13 2023

web from a baker in normandy to a shepherd in the pyrénées from a gay couple estranged from their families to a widow who found love again at 70 amour is a treasure trove of

amour how the french talk about love presents - Apr 15 2023

web jan 23 2020 from a baker in normandy to a shepherd in the pyrénées from a gay couple estranged from their families to a widow who found love again at 70 amour is a

[amour how the french talk about love](#) - Mar 02 2022

web english translation of l amour the official collins french english dictionary online over 100 000 english translations of french words and phrases

amour by stefania rousselle review how the french - Aug 19 2023

web jan 29 2020 as an antidote she decided to take a solo road trip around france to see if she could find love or rather love stories i was going to see for myself if people really

amour how the french talk about love amazon fr - Mar 14 2023

web the author travels around france photographing strangers and asking them to reflect on their romantic relationships through the lens of their understandings of love the result is

amour how the french talk about love amazon co uk - May 16 2023

web stefania rousselle is an independent french american video journalist and documentary filmmaker based in paris her work includes short documentaries on terrorism the

amour how the french talk about love photographs and stories - Dec 31 2021