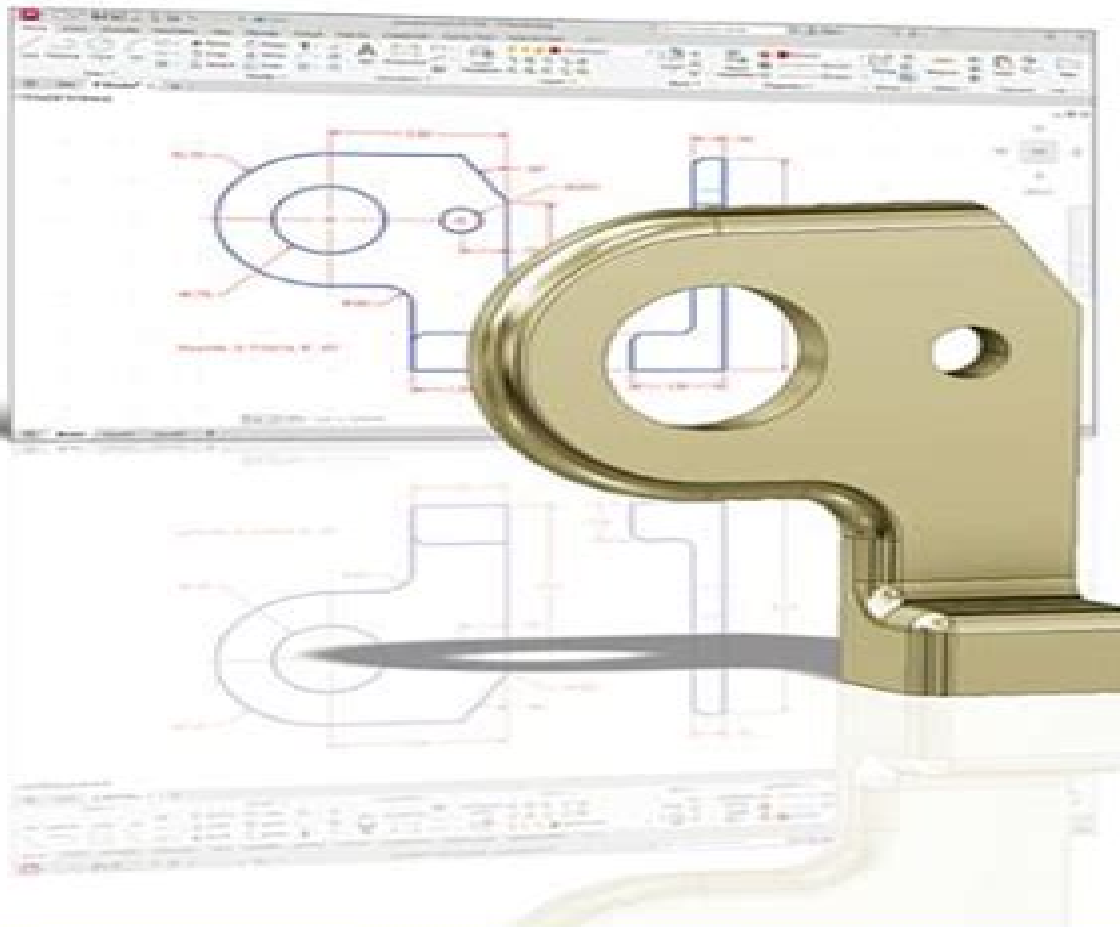


AutoCAD 2025 Tutorial

First Level 2D Fundamentals

Videos
Includes Comprehensive
Video Support



Randy H. Shih
Luke Jumper

Autocad 2012 First Level Manual

Randy Shih



Autocad 2012 First Level Manual:

AutoCAD 2012 Tutorial - First Level: 2D Fundamentals Randy Shih,2011-04-25 The primary goal of AutoCAD 2012 Tutorial First Level 2D Fundamentals is to introduce the aspects of Computer Aided Design and Drafting CADD This text is intended to be used as a training guide for students and professionals This text covers AutoCAD 2012 and the lessons proceed in a pedagogical fashion to guide you from constructing basic shapes to making multiview drawings The lessons are further reinforced by the video presentations found on the enclosed multimedia DVD This textbook contains a series of eleven tutorial style lessons designed to introduce beginning CAD users to AutoCAD 2012 It takes a hands on exercise intensive approach to all the important 2D CAD techniques and concepts This text is also helpful to AutoCAD users upgrading from a previous release of the software The new improvements and key enhancements of the software are incorporated into the lessons The 2D CAD techniques and concepts discussed in this text are also designed to serve as the foundation to the more advanced parametric feature based CAD packages such as Autodesk Inventor The basic premise of this book is that the more designs you create using AutoCAD 2012 the better you learn the software With this in mind each lesson introduces a new set of commands and concepts building on previous lessons This book is intended to help readers establish a good basis for exploring and growing in the exciting field of Computer Aided Engineering

AutoCAD 2013 Tutorial - First Level: 2D Fundamentals Randy H. Shih,2012-04-27 The primary goal of AutoCAD 2013 Tutorial First Level 2D Fundamentals is to introduce the aspects of Computer Aided Design and Drafting CADD This text is intended to be used as a training guide for students and professionals This text covers AutoCAD 2013 and the lessons proceed in a pedagogical fashion to guide you from constructing basic shapes to making multiview drawings The lessons are further reinforced by the video presentations found on the enclosed multimedia DVD This textbook contains a series of eleven tutorial style lessons designed to introduce beginning CAD users to AutoCAD 2013 It takes a hands on exercise intensive approach to all the important 2D CAD techniques and concepts This text is also helpful to AutoCAD users upgrading from a previous release of the software The new improvements and key enhancements of the software are incorporated into the lessons The 2D CAD techniques and concepts discussed in this text are also designed to serve as the foundation to the more advanced parametric feature based CAD packages such as Autodesk Inventor The basic premise of this book is that the more designs you create using AutoCAD 2013 the better you learn the software With this in mind each lesson introduces a new set of commands and concepts building on previous lessons This book is intended to help readers establish a good basis for exploring and growing in the exciting field of Computer Aided Engineering

AutoCAD 2012 For Dummies David Byrnes,2011-04-12 A full color guide to the 1 architectural drafting program AutoCAD 2012 AutoCAD is the leading software used to create 2D and 3D technical drawings Used by engineers architects and drafting professionals it can be complex and is a perfect subject for the tried and true For Dummies format Full color illustrations make the instructions even easier to follow because examples in the book

appear exactly as they will on the screen Explains AutoCAD and gets readers quickly up to speed on the latest version Features full color illustrations that look the same as the AutoCAD 2012 screens making the interface and the all important Model view easier to understand Covers all the new features creating a basic layout using AutoCAD DesignCenter drawing and editing working with dimensions adding text and more Newcomers to AutoCAD will easily master the software with help from this full color edition of AutoCAD 2012 For Dummies **Up and Running with AutoCAD 2012** Elliot Gindis,2011-07-28 This guide strips away complexities both real and perceived and presents AutoCAD with easy to understand basic concepts It explains the why and how of AutoCAD commands and documents basic commands with step by step instructions **Introduction to AutoCAD 2012 for Civil Engineering Applications** Nighat Yasmin,2011-07-06 The main purpose of this book is to provide civil engineering students with a clear presentation of the theory of engineering graphics and the use of AutoCAD 2012 Each chapter starts with the chapter objectives followed by the introduction The contents of each chapter are organized into well defined sections that contain step by step instructions to carry out the AutoCAD commands The drawings shown in this book are created using AutoCAD 2012 and Paint software Several improvements have been made to this edition An index has been added and one of the chapters has been partitioned into two chapters hence the twenty two chapters Chapter chapter 19 Suggested In Class Activities has been improved and provides in class activities or labs For some of the initial ICAs it explains the drawing with the help of step by step instruction Also new problems have been added to the homework s chapter Furthermore the contents and the drawings of every chapter are improved Each chapter starts with the chapter objectives followed by the introduction The bulleted objectives provide a general overview of the material covered The contents of each chapter are organized into well defined sections that contain detailed step by step instructions with graphical illustrations to carry out the AutoCAD commands This book has been categorized and ordered into nine parts Introduction to AutoCAD 2012 Use of AutoCAD in land survey data plotting The use of AutoCAD in hydrology Transportation engineering and AutoCAD AutoCAD and architecture technology Introduction to working drawing Suggested drawing problems Bibliography Index *Up and Running with AutoCAD 2012* Elliot J. Gindis,2011-09-02 Get Up and Running with AutoCAD using Gindis combination of step by step instruction examples and insightful explanations The emphasis from the beginning is on core concepts and practical application of AutoCAD in architecture engineering and design Equally useful in instructor led classroom training or self study the book is written with the student in mind by a long time AutoCAD user and instructor based on what works in the industry and the classroom Strips away complexities and reduces AutoCAD to easy to understand basic concepts Explains why something is done not just how the theory behind each concept or command is discussed prior to engaging AutoCAD so the student has a clear idea of what they are attempting to do All basic commands are documented step by step what the user types in and how AutoCAD responds is spelled out in discrete and clear steps with numerous screen shots Extensive supporting graphics screen shots

and a summary with a self test section and topic specific drawing exercises are included at the end of each chapter Also available in a 2D 3D version with 10 additional chapters covering 3D concepts ISBN for the 2D 3D version is 978 012 387029

2 **AutoCAD 2012 and AutoCAD LT 2012 Bible** Ellen Finkelstein,2011-06-15 The latest version of this perennial favorite in depth reference tutorial This top selling book has been updated by AutoCAD guru and author Ellen Finkelstein to provide you with the very latest coverage of both AutoCAD 2012 and AutoCAD LT 2012 It begins with a Quick Start tutorial so you start creating right away From there the book covers so much in depth material on AutoCAD that it is said that even Autodesk employees keep this comprehensive book at their desks A DVD is included that features before and after drawings of all the tutorials and plenty of great examples from AutoCAD professionals Explains in depth both AutoCAD 2012 and AutoCAD LT 2012 Written by Ellen Finkelstein a long time AutoCAD instructor and very popular author of many editions of the AutoCAD Bible Starts with a tutorial on AutoCAD 2012 that covers the basics of creating drawings using commands and specifying coordinates Builds on early chapters to cover more complex 2D and 3D drawing techniques Discusses advanced topics such as customization and programming AutoCAD using AutoLISP and VBA Features a DVD with before and after drawings for each tutorial and more If you re eager to create 2D and 3D technical drawings with AutoCAD 2012 the AutoCAD 2012 and AutoCAD LT2012 Bible is what you need *AutoCAD 2012 and AutoCAD LT 2012* Donnie Gladfelter,2011-08-02 The perfect step by step introduction to Autodesk s powerful architectural design software With this essential guide you ll learn how to plan develop document and present a complete AutoCAD project by building a summer cabin from start to finish You can follow each step sequentially or jump in at any point by downloading the drawing files from the book s companion web site You ll also master all essential AutoCAD features get a thorough grounding in the basics learn the very latest industry standards and techniques and quickly become productive with AutoCAD 2012 Features concise explanations focused examples and step by step instructions for learning AutoCAD and AutoCAD LT in a hands on project that runs throughout the book Addresses the newest features of AutoCAD 2012 and AutoCAD LT 2012 as well as emerging techniques and standards in the industry Begins with the basics such as the AutoCAD interface basic commands and creating drawings and gradually progresses to more advanced topics including grouping elevations hatches and using text in drawings Introduces dimensioning external references layouts and printing and using 3D AutoCAD and AutoCAD LT No Experience Required helps you quickly learn to use AutoCAD and AutoCAD LT right away **Commercial Design Using AutoCAD 2012** Daniel John Stine,2011-04-11 Commercial Design Using AutoCAD 2012 is designed for the architectural student using AutoCAD 2012 The intent is to provide the student with a well rounded knowledge of tools and techniques for use in both school and industry This text takes a project based approach to learning AutoCAD in which the student develops a campus library Each book comes with a CD containing numerous video presentations of the written material The first two chapters are intended to get the reader familiar with the user interface as well as the most common menus tools and commands that are required to

work effectively with AutoCAD 2012 By the end of chapter two the student will be excited and prepared to take on a much larger project Throughout the rest of the book the student develops the campus library Using step by step tutorial lessons the library project is followed through to create FFE plans interior elevations schedules and details In these chapters many of the additional tools and features of AutoCAD 2012 are covered in greater detail General building codes and industry standard conventions are covered in a way that is applicable to the current exercise

Residential Design Using AutoCAD 2012

Daniel John Stine, 2011 Residential Design Using AutoCAD 2012 is an introductory level tutorial which uses residential design exercises as the means to teach AutoCAD 2012 Each book comes with a CD containing numerous video presentations in which the author shows and explains the many tools and techniques used in AutoCAD 2012 After completing this book readers will have a well rounded knowledge of Computer Aided Drafting that they can use in the industry and a feeling of satisfaction having completed a set of residential drawings This textbook starts with an optional section that covers basic hand sketching techniques and concepts intended to increase your ability to sketch design ideas by hand and to think three dimensionally The book then proceeds with a basic introduction to AutoCAD 2012 The first three chapters are intended to get the reader familiar with the user interface and many of the common menus and tools Throughout the rest of the book readers design a residence through to its completion Using step by step tutorial lessons the residential project is followed through to create elevations sections details etc Throughout the project new AutoCAD commands are covered at the appropriate time Focus is placed on the most essential parts of a command rather than an exhaustive review of every sub feature of a particular command The Appendix contains a bonus section covering the fundamental principles of engineering graphics that relate to architecture

Whispering the Techniques of Language: An Psychological Journey through **Autocad 2012 First Level Manual**

In a digitally-driven world wherever monitors reign great and immediate interaction drowns out the subtleties of language, the profound secrets and mental subtleties concealed within words usually move unheard. Yet, situated within the pages of **Autocad 2012 First Level Manual** a interesting literary prize pulsating with natural feelings, lies an exceptional journey waiting to be undertaken. Penned by a skilled wordsmith, that enchanting opus encourages viewers on an introspective journey, gently unraveling the veiled truths and profound affect resonating within the fabric of each and every word. Within the mental depths of this poignant review, we will embark upon a honest exploration of the book is primary styles, dissect its charming writing fashion, and fail to the strong resonance it evokes serious within the recesses of readers hearts.

<https://stats.tinkerine.com/files/uploaded-files/HomePages/Act%2071g%20Math%20Answers.pdf>

Table of Contents Autocad 2012 First Level Manual

1. Understanding the eBook Autocad 2012 First Level Manual
 - The Rise of Digital Reading Autocad 2012 First Level Manual
 - Advantages of eBooks Over Traditional Books
2. Identifying Autocad 2012 First Level Manual
 - Exploring Different Genres
 - Considering Fiction vs. Non-Fiction
 - Determining Your Reading Goals
3. Choosing the Right eBook Platform
 - Popular eBook Platforms
 - Features to Look for in an Autocad 2012 First Level Manual
 - User-Friendly Interface
4. Exploring eBook Recommendations from Autocad 2012 First Level Manual
 - Personalized Recommendations
 - Autocad 2012 First Level Manual User Reviews and Ratings

- Autocad 2012 First Level Manual and Bestseller Lists
- 5. Accessing Autocad 2012 First Level Manual Free and Paid eBooks
 - Autocad 2012 First Level Manual Public Domain eBooks
 - Autocad 2012 First Level Manual eBook Subscription Services
 - Autocad 2012 First Level Manual Budget-Friendly Options
- 6. Navigating Autocad 2012 First Level Manual eBook Formats
 - ePub, PDF, MOBI, and More
 - Autocad 2012 First Level Manual Compatibility with Devices
 - Autocad 2012 First Level Manual Enhanced eBook Features
- 7. Enhancing Your Reading Experience
 - Adjustable Fonts and Text Sizes of Autocad 2012 First Level Manual
 - Highlighting and Note-Taking Autocad 2012 First Level Manual
 - Interactive Elements Autocad 2012 First Level Manual
- 8. Staying Engaged with Autocad 2012 First Level Manual
 - Joining Online Reading Communities
 - Participating in Virtual Book Clubs
 - Following Authors and Publishers Autocad 2012 First Level Manual
- 9. Balancing eBooks and Physical Books Autocad 2012 First Level Manual
 - Benefits of a Digital Library
 - Creating a Diverse Reading Collection Autocad 2012 First Level Manual
- 10. Overcoming Reading Challenges
 - Dealing with Digital Eye Strain
 - Minimizing Distractions
 - Managing Screen Time
- 11. Cultivating a Reading Routine Autocad 2012 First Level Manual
 - Setting Reading Goals Autocad 2012 First Level Manual
 - Carving Out Dedicated Reading Time
- 12. Sourcing Reliable Information of Autocad 2012 First Level Manual
 - Fact-Checking eBook Content of Autocad 2012 First Level Manual
 - Distinguishing Credible Sources

13. Promoting Lifelong Learning
 - Utilizing eBooks for Skill Development
 - Exploring Educational eBooks
14. Embracing eBook Trends
 - Integration of Multimedia Elements
 - Interactive and Gamified eBooks

Autocad 2012 First Level Manual Introduction

In the digital age, access to information has become easier than ever before. The ability to download Autocad 2012 First Level Manual has revolutionized the way we consume written content. Whether you are a student looking for course material, an avid reader searching for your next favorite book, or a professional seeking research papers, the option to download Autocad 2012 First Level Manual has opened up a world of possibilities. Downloading Autocad 2012 First Level Manual provides numerous advantages over physical copies of books and documents. Firstly, it is incredibly convenient. Gone are the days of carrying around heavy textbooks or bulky folders filled with papers. With the click of a button, you can gain immediate access to valuable resources on any device. This convenience allows for efficient studying, researching, and reading on the go. Moreover, the cost-effective nature of downloading Autocad 2012 First Level Manual has democratized knowledge. Traditional books and academic journals can be expensive, making it difficult for individuals with limited financial resources to access information. By offering free PDF downloads, publishers and authors are enabling a wider audience to benefit from their work. This inclusivity promotes equal opportunities for learning and personal growth. There are numerous websites and platforms where individuals can download Autocad 2012 First Level Manual. These websites range from academic databases offering research papers and journals to online libraries with an expansive collection of books from various genres. Many authors and publishers also upload their work to specific websites, granting readers access to their content without any charge. These platforms not only provide access to existing literature but also serve as an excellent platform for undiscovered authors to share their work with the world. However, it is essential to be cautious while downloading Autocad 2012 First Level Manual. Some websites may offer pirated or illegally obtained copies of copyrighted material. Engaging in such activities not only violates copyright laws but also undermines the efforts of authors, publishers, and researchers. To ensure ethical downloading, it is advisable to utilize reputable websites that prioritize the legal distribution of content. When downloading Autocad 2012 First Level Manual, users should also consider the potential security risks associated with online platforms. Malicious actors may exploit vulnerabilities in unprotected websites to distribute malware or steal personal information. To protect themselves, individuals should ensure their devices have reliable

antivirus software installed and validate the legitimacy of the websites they are downloading from. In conclusion, the ability to download Autocad 2012 First Level Manual has transformed the way we access information. With the convenience, cost-effectiveness, and accessibility it offers, free PDF downloads have become a popular choice for students, researchers, and book lovers worldwide. However, it is crucial to engage in ethical downloading practices and prioritize personal security when utilizing online platforms. By doing so, individuals can make the most of the vast array of free PDF resources available and embark on a journey of continuous learning and intellectual growth.

FAQs About Autocad 2012 First Level Manual Books

1. Where can I buy Autocad 2012 First Level Manual books? Bookstores: Physical bookstores like Barnes & Noble, Waterstones, and independent local stores. Online Retailers: Amazon, Book Depository, and various online bookstores offer a wide range of books in physical and digital formats.
2. What are the different book formats available? Hardcover: Sturdy and durable, usually more expensive. Paperback: Cheaper, lighter, and more portable than hardcovers. E-books: Digital books available for e-readers like Kindle or software like Apple Books, Kindle, and Google Play Books.
3. How do I choose a Autocad 2012 First Level Manual book to read? Genres: Consider the genre you enjoy (fiction, non-fiction, mystery, sci-fi, etc.). Recommendations: Ask friends, join book clubs, or explore online reviews and recommendations. Author: If you like a particular author, you might enjoy more of their work.
4. How do I take care of Autocad 2012 First Level Manual books? Storage: Keep them away from direct sunlight and in a dry environment. Handling: Avoid folding pages, use bookmarks, and handle them with clean hands. Cleaning: Gently dust the covers and pages occasionally.
5. Can I borrow books without buying them? Public Libraries: Local libraries offer a wide range of books for borrowing. Book Swaps: Community book exchanges or online platforms where people exchange books.
6. How can I track my reading progress or manage my book collection? Book Tracking Apps: Goodreads, LibraryThing, and Book Catalogue are popular apps for tracking your reading progress and managing book collections. Spreadsheets: You can create your own spreadsheet to track books read, ratings, and other details.
7. What are Autocad 2012 First Level Manual audiobooks, and where can I find them? Audiobooks: Audio recordings of books, perfect for listening while commuting or multitasking. Platforms: Audible, LibriVox, and Google Play Books offer a wide selection of audiobooks.

8. How do I support authors or the book industry? Buy Books: Purchase books from authors or independent bookstores. Reviews: Leave reviews on platforms like Goodreads or Amazon. Promotion: Share your favorite books on social media or recommend them to friends.
9. Are there book clubs or reading communities I can join? Local Clubs: Check for local book clubs in libraries or community centers. Online Communities: Platforms like Goodreads have virtual book clubs and discussion groups.
10. Can I read Autocad 2012 First Level Manual books for free? Public Domain Books: Many classic books are available for free as they're in the public domain. Free E-books: Some websites offer free e-books legally, like Project Gutenberg or Open Library.

Find Autocad 2012 First Level Manual :

act 71g math answers

acoustics vibration mechanical structures mechanics

act science practice test

action whirligigs 25 easy to do projects anders s lunde

act math and science workbook answers

acquired brain injury an integrative neuro rehabilitation approach

active shooter tabletop exercise situation manual

acme sabina transformer b 111704 electrical connection diagram manual

actionsript 3 0 game programming university gary rosenzweig

acer v233hl manual

act applied technology practice test

acer travelmate 7720 guide repair manual

aclands dvd atlas of human anatomy dvd 5 the head and neck part 2

acsm cpt study guide

act 62d scale

Autocad 2012 First Level Manual :

Statistics for Business: Decision Making and Analysis The 3rd Edition of Statistics for Business: Decision Making and Analysis emphasizes an application-based approach, in which readers learn how to work with data ... Statistics for Business: Decision

Making and Analysis Jan 24, 2021 — The 3rd Edition of Statistics for Business: Decision Making and Analysis emphasizes an application-based approach, in which students learn how ... Statistics for Business: Decision Making and Analysis (2nd ... The authors show students how to recognize and understand each business question, use statistical tools to do the analysis, and how to communicate their results ... Statistics for Business: Decision Making and Analysis, 3rd ... The 3rd Edition of Statistics for Business: Decision Making and Analysis emphasizes an application-based approach, in which readers learn how to work with data ... Statistics and Business Decision Making Statistics and Business Decision Making is an introduction to statistics and the application of statistics to business decision making. Statistics for Business: Decision Making and Analysis - ... In this contemporary presentation of business statistics, readers learn how to approach business decisions through a 4M Analytics decision making strategy— ... Statistics for Business: Decision Making and Analysis The authors show students how to recognize and understand each business question, use statistical tools to do the analysis, and how to communicate their results ... Statistics for business : decision making and analysis ... Statistics for business : decision making and analysis / Robert Stine, Wharton School of the University of Pennsylvania, Dean Foster, Emeritus, ... An R-companion for Statistics for Business: Decision ... A guide to using R to run the 4M Analytics Examples in this textbook. AGFA CR 35-X Service Manual | PDF Computed Radiography · AGFA - CR 35-X · Documents; Service Manual. AGFA CR 35-X Service Manual. Loading Document... AGFA - CR 35-X by AGFA. AGFA - CR 35-X. Manual Servicio CR 35 X PDF IMPORTANT: Preferably print this manual double-sided: This PDF manual contains empty pages at the end of several chapters, to have the next chapter starting ... Agfa CR35X-CR25X Service Manual PDF Agfa CR35X-CR25X Service Manual PDF. Uploaded by. aleseb.service. 100%(3)100% found this document useful (3 votes). 2K views. 555 pages. AI-enhanced title ... Agfa CR35 CR25 Service Manual PDF Purpose of this document This document explains the functional principle including the functions of the individual assemblies always under normal conditions ... service manual for agfa digitizer CR-35x Aug 23, 2023 — Dear Sir, Good afternoon I have a lot of problem with CR-35x and I do not have the CR-35x service manual, please. Could you please send us this service ... CR 35 NDT Plus HD-CR 35 NDT Plus The Installation and Operating Instructions must be accessible to all operators of the unit at all times. ... CR 35 NDT Plus / HD-CR 35 NDT Plus. Image Plate ... Installation, Operation & Maintenance Manual CR Series Roasters Installation, Operation and Maintenance Manual. Table of ... CR-35, CR-140, and CR-280: Position the roast air cyclone so the outlet ... FISHER CR-35 SM Service Manual download ... Download FISHER CR-35 SM service manual & repair info for electronics experts. CR35 ROASTER GUIDE See section 1 of this document and the Installation, Operation, & Maintenance Manual for additional information. Additional considerations for the gas supply ... AGFA CR Series Service Manual View and Download AGFA CR Series service manual online. Digitizer. CR Series medical equipment pdf manual download. Also for: Cr 10-x, Cr reader, Cr 12-x, ... CLS Owners Manual.pdf Before you rst drive o , read this Operator's. Manual carefully and familiarize yourself with your vehicle. For your own safety and a longer operat-

ing ... Owner's Manuals Your Mercedes-Benz Owner's Manual is your go-to resource for operating your vehicle. Browse and download manuals based on your vehicle class and year. Mercedes Benz CLS350 • Read this manual carefully for important safety information and operating instructions before using ... Mercedes Benz CLS350. Repair Manuals & Literature for Mercedes-Benz CLS350 Get the best deals on Repair Manuals & Literature for Mercedes-Benz CLS350 when you shop the largest online selection at eBay.com. Mercedes CLS 350 Replacement Parts & Manuals, Clearance, FAQs. Fun Creation Inc. Mercedes CLS 350. Item # 1265. Owner's Manual: Mercedes CLS 350 (PDF). Genuine 04-07 Mercedes-Benz CLS-Class CLS350 ... Genuine 04-07 Mercedes-Benz CLS-Class CLS350 CLS500 CLS550 Owners Manual Set ; Quantity. 1 available ; Item Number. 126127549565 ; Year of Publication. 2006 ; Make. CLS350 Load Sense Sectional Mobile Valves The new Eaton CLS load sensing sectional mobile valve is a pre and post compensated mobile valve with a highly versatile design. This modularity is. 0 Mercedes-Benz Cls350 Owners Manual Book Guide ... 0 Mercedes-Benz Cls350 Owners Manual Book Guide OEM Used Auto Parts. SKU:73123. In stock. We have 1 in stock. Regular price \$ 59.49 \$ 17.15 Sale. Owner's Manuals Owner's Manuals. Discover your owner's manual. Navigate on the online manual or download the Owner's Manual PDF for fast access whenever you need it. Mercedes Benz CLS350 Kids Ride-On Car ... - TOBBI To find more surprise! User Manual www.tobbi.com. Page 2 ...