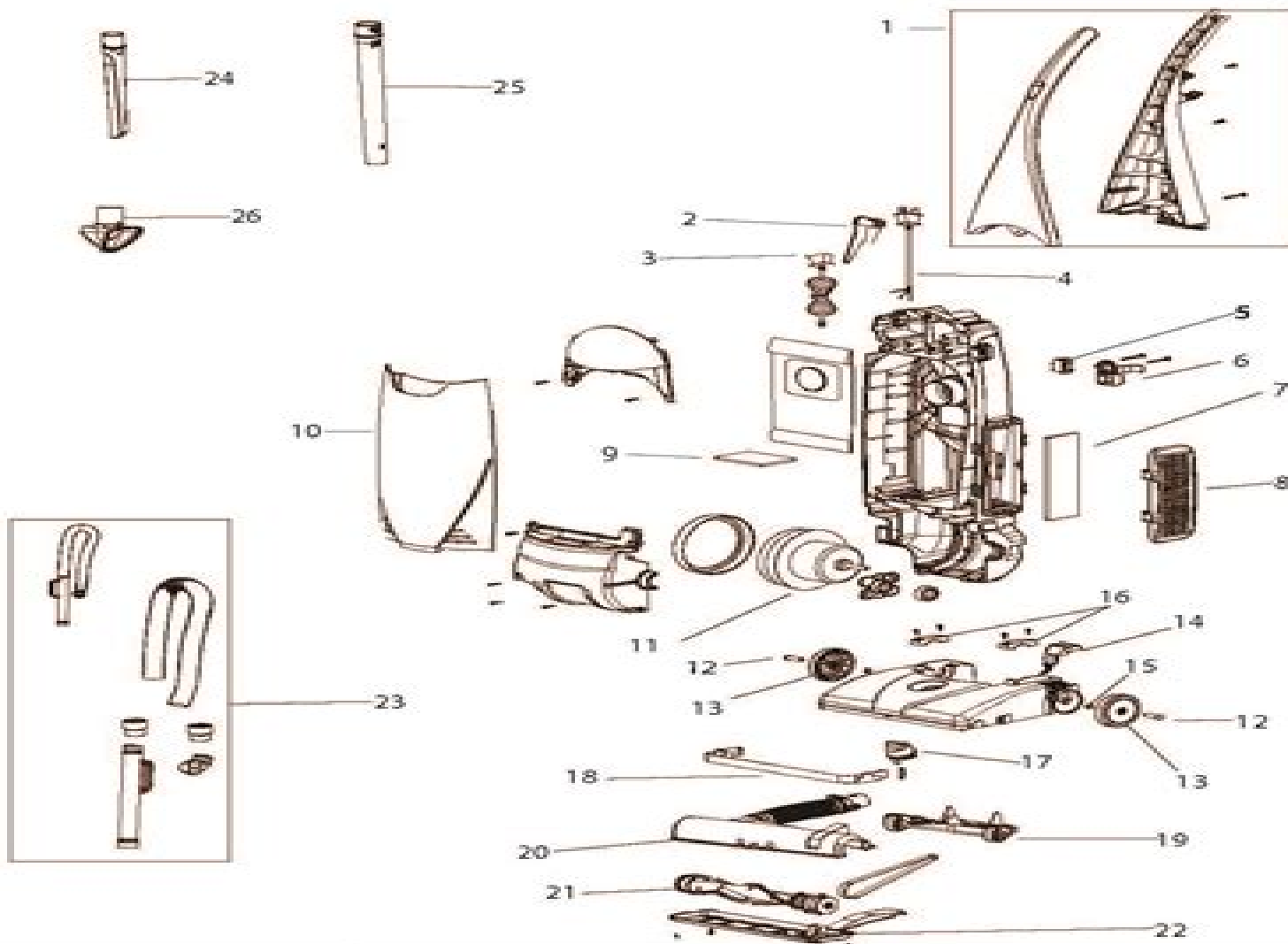




# PowerForce Bagged Vacuum 1739



Issued: October 2017

Revised:

© 2017 BISSELL Homecare, Inc.

# Bissell Power Ease Manual

**Yan Bai**



## **Bissell Power Ease Manual:**

## Unveiling the Energy of Verbal Beauty: An Mental Sojourn through **Bissell Power Ease Manual**

In a global inundated with monitors and the cacophony of quick interaction, the profound energy and psychological resonance of verbal beauty usually disappear in to obscurity, eclipsed by the regular assault of sound and distractions. Yet, nestled within the musical pages of **Bissell Power Ease Manual**, a captivating function of literary elegance that pulses with natural feelings, lies an memorable trip waiting to be embarked upon. Published by way of a virtuoso wordsmith, this mesmerizing opus manuals visitors on a psychological odyssey, lightly revealing the latent possible and profound affect embedded within the delicate internet of language. Within the heart-wrenching expanse of the evocative analysis, we will embark upon an introspective exploration of the book is central styles, dissect their fascinating writing fashion, and immerse ourselves in the indelible impact it leaves upon the depths of readers souls.

[https://stats.tinkerine.com/About/virtual-library/HomePages/At\\_Home\\_With\\_Michael\\_Chiarello\\_Easy\\_Entertaining.pdf](https://stats.tinkerine.com/About/virtual-library/HomePages/At_Home_With_Michael_Chiarello_Easy_Entertaining.pdf)

### **Table of Contents Bissell Power Ease Manual**

1. Understanding the eBook Bissell Power Ease Manual
  - The Rise of Digital Reading Bissell Power Ease Manual
  - Advantages of eBooks Over Traditional Books
2. Identifying Bissell Power Ease Manual
  - Exploring Different Genres
  - Considering Fiction vs. Non-Fiction
  - Determining Your Reading Goals
3. Choosing the Right eBook Platform
  - Popular eBook Platforms
  - Features to Look for in an Bissell Power Ease Manual
  - User-Friendly Interface
4. Exploring eBook Recommendations from Bissell Power Ease Manual
  - Personalized Recommendations

- Bissell Power Ease Manual User Reviews and Ratings
- Bissell Power Ease Manual and Bestseller Lists
- 5. Accessing Bissell Power Ease Manual Free and Paid eBooks
  - Bissell Power Ease Manual Public Domain eBooks
  - Bissell Power Ease Manual eBook Subscription Services
  - Bissell Power Ease Manual Budget-Friendly Options
- 6. Navigating Bissell Power Ease Manual eBook Formats
  - ePub, PDF, MOBI, and More
  - Bissell Power Ease Manual Compatibility with Devices
  - Bissell Power Ease Manual Enhanced eBook Features
- 7. Enhancing Your Reading Experience
  - Adjustable Fonts and Text Sizes of Bissell Power Ease Manual
  - Highlighting and Note-Taking Bissell Power Ease Manual
  - Interactive Elements Bissell Power Ease Manual
- 8. Staying Engaged with Bissell Power Ease Manual
  - Joining Online Reading Communities
  - Participating in Virtual Book Clubs
  - Following Authors and Publishers Bissell Power Ease Manual
- 9. Balancing eBooks and Physical Books Bissell Power Ease Manual
  - Benefits of a Digital Library
  - Creating a Diverse Reading Collection Bissell Power Ease Manual
- 10. Overcoming Reading Challenges
  - Dealing with Digital Eye Strain
  - Minimizing Distractions
  - Managing Screen Time
- 11. Cultivating a Reading Routine Bissell Power Ease Manual
  - Setting Reading Goals Bissell Power Ease Manual
  - Carving Out Dedicated Reading Time
- 12. Sourcing Reliable Information of Bissell Power Ease Manual
  - Fact-Checking eBook Content of Bissell Power Ease Manual

- Distinguishing Credible Sources
13. Promoting Lifelong Learning
- Utilizing eBooks for Skill Development
  - Exploring Educational eBooks
14. Embracing eBook Trends
- Integration of Multimedia Elements
  - Interactive and Gamified eBooks

### **Bissell Power Ease Manual Introduction**

Bissell Power Ease Manual Offers over 60,000 free eBooks, including many classics that are in the public domain. Open Library: Provides access to over 1 million free eBooks, including classic literature and contemporary works. Bissell Power Ease Manual Offers a vast collection of books, some of which are available for free as PDF downloads, particularly older books in the public domain. Bissell Power Ease Manual : This website hosts a vast collection of scientific articles, books, and textbooks. While it operates in a legal gray area due to copyright issues, its a popular resource for finding various publications. Internet Archive for Bissell Power Ease Manual : Has an extensive collection of digital content, including books, articles, videos, and more. It has a massive library of free downloadable books. Free-eBooks Bissell Power Ease Manual Offers a diverse range of free eBooks across various genres. Bissell Power Ease Manual Focuses mainly on educational books, textbooks, and business books. It offers free PDF downloads for educational purposes. Bissell Power Ease Manual Provides a large selection of free eBooks in different genres, which are available for download in various formats, including PDF. Finding specific Bissell Power Ease Manual, especially related to Bissell Power Ease Manual, might be challenging as theyre often artistic creations rather than practical blueprints. However, you can explore the following steps to search for or create your own Online Searches: Look for websites, forums, or blogs dedicated to Bissell Power Ease Manual, Sometimes enthusiasts share their designs or concepts in PDF format. Books and Magazines Some Bissell Power Ease Manual books or magazines might include. Look for these in online stores or libraries. Remember that while Bissell Power Ease Manual, sharing copyrighted material without permission is not legal. Always ensure youre either creating your own or obtaining them from legitimate sources that allow sharing and downloading. Library Check if your local library offers eBook lending services. Many libraries have digital catalogs where you can borrow Bissell Power Ease Manual eBooks for free, including popular titles. Online Retailers: Websites like Amazon, Google Books, or Apple Books often sell eBooks. Sometimes, authors or publishers offer promotions or free periods for certain books. Authors Website Occasionally, authors provide excerpts or short stories for free on their websites. While this might not be the Bissell Power Ease Manual full book , it can give you a taste of

the authors writing style. Subscription Services Platforms like Kindle Unlimited or Scribd offer subscription-based access to a wide range of Bissell Power Ease Manual eBooks, including some popular titles.

### **FAQs About Bissell Power Ease Manual Books**

How do I know which eBook platform is the best for me? Finding the best eBook platform depends on your reading preferences and device compatibility. Research different platforms, read user reviews, and explore their features before making a choice. Are free eBooks of good quality? Yes, many reputable platforms offer high-quality free eBooks, including classics and public domain works. However, make sure to verify the source to ensure the eBook credibility. Can I read eBooks without an eReader? Absolutely! Most eBook platforms offer web-based readers or mobile apps that allow you to read eBooks on your computer, tablet, or smartphone. How do I avoid digital eye strain while reading eBooks? To prevent digital eye strain, take regular breaks, adjust the font size and background color, and ensure proper lighting while reading eBooks. What the advantage of interactive eBooks? Interactive eBooks incorporate multimedia elements, quizzes, and activities, enhancing the reader engagement and providing a more immersive learning experience. Bissell Power Ease Manual is one of the best book in our library for free trial. We provide copy of Bissell Power Ease Manual in digital format, so the resources that you find are reliable. There are also many Ebooks of related with Bissell Power Ease Manual. Where to download Bissell Power Ease Manual online for free? Are you looking for Bissell Power Ease Manual PDF? This is definitely going to save you time and cash in something you should think about.

### **Find Bissell Power Ease Manual :**

**at home with michael chiarello easy entertaining**

atandt early termination fee

*astrology for lovers an astrological guide to a more fulfilling sex life*

**asus p5lp le manual**

**atenci nis jugando sentido educaci**

*at berkeley in the sixties the making of an activist*

**atenas e islas griegas trotamundos**

astronomy beginners guide to the universe

**astra ts service manual**

**at t el52200 dect 60 cordless phone manual**

*asus vk278q manual*

*asus p8h61 m le manual*

[atandt prepaid plans](#)

[asus p8z77 v pro manual](#)

**astm standards on textile materials****Bissell Power Ease Manual :**

[hector and the search for lost time penguin random house](#) - Apr 10 2023

web hector and the search for lost time by francois lelord penguin random house canada a novel author francois lelord series hector s journeys share save add to

*hector and the search for lost time a novel google books* - May 11 2023

web hector and the search for lost time a novel francois lelord google books the delightful third book in the multimillion copy internationally bestselling seriesbeing up

[hector and the search for lost time a novel hector s journeys](#) - Jun 12 2023

web jul 31 2012 hector and the search for lost time a novel hector s journeys paperback july 31 2012 by francois lelord author 4 5 76 ratings book 3 of 3

[hector and the search for lost time summary and reviews](#) - Jan 27 2022

web hector and the search for lost time a hector s journeys novel by francois lelord readers rating not yet rated published jul 2012 240 pages genre literary fiction

*taylor swift makes grammy awards history with most song of the* - Oct 24 2021

web nov 10 2023 the multi hyphenate megastar also tied barbara streisand for the most all time album of the year nominations by a female artist with her sixth nomination for

**hector and the search for lost time apple books** - Feb 08 2023

web jul 31 2012 hector and the search for lost time a novel francois lelord 4 7 3 ratings 9 99 publisher description the delightful third book in the multimillion copy

**hector and the search for lost time a novel paperback** - Jul 13 2023

web hector and the search for lost time a novel lelord francois amazon sg books

*hector and the search for lost time a novel hector s journeys* - Dec 06 2022

web jul 31 2012 hector and the search for lost time a novel hector s journeys book 3 kindle edition by lelord francois



download it once and read it on your kindle device

*hector and the search for lost time audible com* - Apr 29 2022

web maeve s times by maeve binchy publisher s summary the delightful third book in the multimillion copy internationally best selling series first he tackled happiness then he

**hector and the search for lost time a novel hector s journeys** - Feb 25 2022

web sep 13 2021 isbn 9780143120711 soft cover penguin books 2012 condition new hector and the search for lost time a novel hector s journeys hector and the

hector and the search for lost time overdrive - May 31 2022

web isbn 9780143120711 series hector s journeys author francois lelord publisher release 31 july 2012 subjects fiction literature literary anthologies humor fiction

hector and the search for lost time a novel paperback - Aug 02 2022

web jul 31 2012 hector and the search for lost time a novel paperback july 31 2012 by francois lelord author

hector and the search for lost time a novel hector s journeys - Nov 05 2022

web synopsis about this title about this edition the delightful third book in the multimillion copy internationally bestselling series being up against the clock was a real problem for so

amazon com hector and the search for lost time a novel - Dec 26 2021

web amazon com hector and the search for lost time a novel audible audio edition françois lelord james langton penguin audio audible books originals

*hector and the search for lost time penguin random house* - Sep 15 2023

web about hector and the search for lost time the delightful third book in the multimillion copy internationally bestselling series being up against the clock was a real problem for

*hector and the search for lost time a novel searchworks catalog* - Sep 03 2022

web hector and the search for lost time a novel responsibility françois lelord uniform title nouveau voyage d hector english imprint new york penguin books 2012 physical

**hector and the search for lost time a novel google play** - Jan 07 2023

web hector and the search for lost time a novel ebook written by francois lelord read this book using google play books app on your pc android ios devices download for

**hector and the search for lost time a novel worldcat org** - Oct 04 2022

web author franc ois lelord summary hector a young french psychiatrist confronts the inevitable progression of time while helping his patients resolve their fears and becomes

[hector and the search for lost time goodreads](#) - Oct 16 2023

web jan 1 2006 françois lelord 3 65 1 339 ratings100 reviews the delightful third book in the multimillion copy internationally bestselling series being up against the clock was a real

[hector and the search for lost time hector s journeys](#) - Mar 29 2022

web jul 31 2012 buy hector and the search for lost time hector s journeys by lelord francois isbn 9780143120711 from amazon s book store everyday low prices and

[download hector and the search for lost time pdf](#) - Nov 24 2021

web download pdf hector and the search for lost time pdf 7mea7h7qclu0 the delightful third book in the multimillion copy internationally bestselling series being up

**hector and the search for lost time a novel google books** - Aug 14 2023

web hector and the search for lost time a novel francois lelord google books the delightful third book in the multimillion copy internationally bestselling seriesbeing up

*hector and the search for lost time a novel barnes noble* - Mar 09 2023

web jul 31 2012 hector has several interesting dreams over the course of the story how do they shape his journey and his understanding of time what does hector learn from his

*hector and the search for lost time a novel hector s journeys* - Jul 01 2022

web the delightful third book in the multimillion copy internationally bestselling seriesbeing up against the clock was a real problem for so many people thought hector what could he

**fillable online pdf download here annual bsa health and** - Jun 02 2023

web optional form 67 activity schedule 2014 pdf download here annual bsa health and medical record

**printable va optional form 67 activity calendar signnow** - Nov 26 2022

web optional form 67 activity schedule pdf yeah reviewing a books optional form 67 activity schedule could ensue your near associates printable va optional form 67

**get the free activity schedule optional form 67 2019 pdffiller** - Jun 21 2022

web fill activity schedule optional form 67 2019 edit online sign fax and printable from pc ipad tablet or mobile with pdffiller instantly try now

*optional form 67 activity schedule book* - Aug 24 2022

web optional form 67 activity schedule cfa program curriculum 2017 level ii volumes 1 6 dec 22 2021 master the practical aspects of the cfa program curriculum with expert

**pdf document created by pdffiller** - Mar 31 2023

web optional form 67 activity schedule 2014 pdf download here 1 2 annual bsa health and medical record may 22 2014  
nbspcalifornia s partner agencies are

*printable va optional form 67 activity calendar pdffiller* - May 01 2023

web optional form 67 activity schedule pdf download here forms management manual doni daps dla mil secnav 20manuals1  
5213 pdf optional 67 activity

optional form 67 activity schedule assets ceu social - Nov 14 2021

web optional form 67 activity schedule optional form 67 activity schedule 3 downloaded from assets ceu social on 2019 08 08  
by guest administration office of federal supply and

pdf document created by pdffiller - Oct 26 2022

web prepared testimony of charles bridges quasi judicial role to schedule hearings at which they him her on a form optional  
form 67 subject to hocalj

**form 4a section 67 temporary occupation licence general** - Jan 17 2022

web title form 4a section 67 temporary occupation licence general form act no 56 of 1965 national land code author haliza  
created date 5 17 2005 12 12 52 pm

**optional form 67 activity schedule 2014 2023 pivotid uvu** - Aug 04 2023

web this practical title covers the wide range of developments that have recently affected company secretarial practice and  
procedure most notably companies act 2014 the

*get printable va optional form 67 activity calendar us legal* - Feb 27 2023

web complete printable va optional form 67 activity calendar online with us legal forms easily fill out pdf blank edit and sign  
them save or instantly send your ready documents

**optional form 67 activity schedule 2014 forms trafford ac uk** - Mar 19 2022

web optional form 67 activity schedule 2014 7540 01 545 3726 printed form wbparts actstudent official site internal revenue  
bulletin 2014 46 internal revenue service

**tk67 turkish airlines flight aviability** - Feb 15 2022

web oct 13 2023 turkish airlines flight tk 67 denpasar istanbul dps ist duration 12h 55m departure 21 05 ngurah rai arrival  
05 00 ataturk aviability journey begins

**activity schedule optional form 67 thebookee net** - Apr 19 2022

web activity schedule optional form 67 list of ebooks and manuels about activity schedule optional form 67

**get the free optional form 67 activity schedule 2014 pdffiller** - Sep 05 2023

web 01 begin by obtaining a copy of optional form 67 activity from the appropriate source such as your employer or the

organization requesting the form 02 start filling out the form by  
[optional form 67 activity schedule 2014](#) - Dec 28 2022

web april 29th 2018 optional form 67 activity schedule 2014 pdf free download here summer amp fall 2014 schedule of classes guamcc edu runtime

**printable va optional form 67 activity calendar fillable** - Jan 29 2023

web looking for printable va optional form 67 activity calendar to fill cocodoc is the best website for you to go offering you a free and easy to edit version of printable va

[optional form 67 activity schedule 2014 pdf pdf](#) - Sep 24 2022

web seismically vulnerable the rvs procedure comprises a method and several forms that help users to quickly identify inventory and score buildings according to their risk of

**activity schedule gsa** - Oct 06 2023

web aug 14 2017 formerly optional form 67 u s government departments agencies and offices can place an order at gsaglobalsupply gsa gov or gsaadvantage gov

**announcement regarding the application of subsection** - Dec 16 2021

web feb 2014 50 000 4 3 50 000 x 4 3 x 1 12 176 mar 2014 50 000 4 1 50 000 x 4 1 x 1 12 171 apr 2014 50 000 4 1 50 000 x 4 1 x 1 12 171 total 694 note alr rendered

**get the free optional form 67 activity schedule 2014 bing pdffiller** - Jul 03 2023

web optional form 67 activity schedule 2014 pdf free pdf download now source 2 optional form 67 activity schedule 2014 pdf free pdf download related

[bangalore tribunal rules that requirement to furnish form 67 to](#) - May 21 2022

web mar 17 2022 accordingly the tribunal allowed the ftc claim despite delayed furnishing of form no 67 this update summarizes a ruling of the bangalore tribunal which held that

**get activity schedule optional form 67 2019 us legal forms** - Jul 23 2022

web complete activity schedule optional form 67 2019 online with us legal forms easily fill out pdf blank edit and sign them save or instantly send your ready documents

**harcourt science assessment guide grade 1 goodreads** - Oct 09 2022

web sep 1 2006 this is a georgia grade 1 science assessment guide it includes chapter tests with answer keys harcourt science assessment guide grade 1 by harcourt school publishers goodreads

**hmh science dimensions k 12 science program houghton mifflin harcourt** - Jun 05 2022

web designed to address ngss hmh science dimensions empowers students in grades k 12 to learn science through self

directed exploration analysis and application

[harcourt school publishers science student edition grade 1 2000](#) - Nov 10 2022

web jan 1 2000 harcourt school publishers science student edition grade 1 2000 harcourt school publishers on amazon com free shipping on qualifying offers

**harcourt science grade 1 archive org** - Jul 18 2023

web contributor internet archive language english 1 volume various pagings 31 cm state adopted textbook 1999 2005 grade 1 includes index set includes teacher s ed student s ed teacher s ed workbook teaching resources and assessment guide

*harcourt science grade 1 teaching resources abebooks* - Jul 06 2022

web teaching resources grade 1 harcourt science by hsp and a great selection of related books art and collectibles available now at abebooks com

**harcourt science reading support and homework grade 1 harcourt** - Dec 11 2022

web hello select your address books

**sra skills handbook using science skills correlation to harcourt** - Jan 12 2023

web sra skills handbook using science skills correlation to harcourt science grade 1 page 3 3 how to choose the right tool 1 3 level k life science units a and b b22 b44 b45 level k earth science unit c and d c26 c32 c39 c52 d14 d15 d16 d24 d25 d34 d36 d37 d42 d43 d46 d48 d49 level k physical science unit e and f e19

**harcourt science quizzes teaching resources teachers pay teachers** - Sep 08 2022

web browse harcourt science quizzes resources on teachers pay teachers a marketplace trusted by millions of teachers for original educational resources browse catalog grade level

*harcourt science grade 1 archive org* - Aug 19 2023

web harcourt science grade 1 v 1 student text v 2 teacher s ed life science units a and b v 3 teacher s ed earth science units c and d v 4 teacher s ed physical science units e and f v 5 assessment guide v 6 teaching resources v 7

*houghton mifflin harcourt grade 1 math k12 workbook* - Feb 01 2022

web harcourt science workbook grade 1 7 houghton mifflin harcourt algebra 1 workbook answers file type 8 houghton mifflin math practice workbook answer key showing 8 worksheets for houghton mifflin harcourt grade 1 math worksheets are houghton mifflin math grade 1 practice workbook math expressions grad

**harcourt science workbook grade 1 amazon com** - Aug 07 2022

web jan 1 2002 returns eligible for return refund or replacement within 30 days of receipt this item can be returned in its original condition for a full refund or replacement within 30 days of receipt you may receive a partial or no refund on used damaged or materially different returns read full return policy

**harcourt science reading support and homework grade 1** - Apr 15 2023

web jul 1 2004 harcourt science reading support and homework grade 1 harcourt school publishers on amazon com free shipping on qualifying offers

**harcourt reading skills scope and sequence for 1st grade tpt** - Mar 02 2022

web a year long reading scope and sequence aligned with harcourt trophy series for first grade the scope and sequence contains i can statements new vocabulary introduced level or thinking according to bloom s taxonomy and story alignment

**1st grade harcourt all that corn printable by brandi buerstatte** - May 04 2022

web a series of printable center activities for the story all that corn from the harcourt reading series for 1st grade just print on cardstock laminate and you are ready to go all files have the story in the upper right hand corner for easy filing

**harcourt science assessment teacher s guide grade 1** - Feb 13 2023

web read reviews from the world s largest community for readers includes chapter and unit tests with answer keys chapter performance assessment with scoring harcourt science assessment teacher s guide grade 1 by harcourt school publishers goodreads

**harcourt science teaching resources tpt** - Apr 03 2022

web renee thomas product includes questions from chapter 5 in grade 4 harcourt science book published in 2006 it s a great way to review energy transfer in ecosystems students answer questions and fill in the blanks to check their understanding subjects earth sciences environment general science grades 4 th types

**harcourt science first worksheets teaching resources tpt** - Mar 14 2023

web for the first grade teachers who use the harcourt science program here is a packet of conferring sheets for each chapter use this to keep track of which students you meet with what goals to work on and what your next steps are

**grade 1 harcourt science chapter 1 flashcards quizlet** - Jun 17 2023

web they grow and change need food water and air they grow and change do not need food water and air they do not grow and change need food water air shelter to live and grow is a place where an animal can be safe study with quizlet and memorize flashcards containing terms like living thing nonliving thing animals and more

**harcourt science grade 1 worksheets teaching resources tpt** - May 16 2023

web for the first grade teachers who use the harcourt science program here is a packet of conferring sheets for each chapter use this to keep track of which students you meet with what goals to work on and what your next steps are

**harcourt science harcourt inc free download borrow and** - Sep 20 2023

web grades 1 6 includes indexes v 6 life science grade 2 units a b v 7 earth science grade 2 units c d v 8 physical science grade 2 units e f v 18 life science grade 5 units a b v 19 earth science grade 5 units c d v 20 physical science grade 5 units e f

