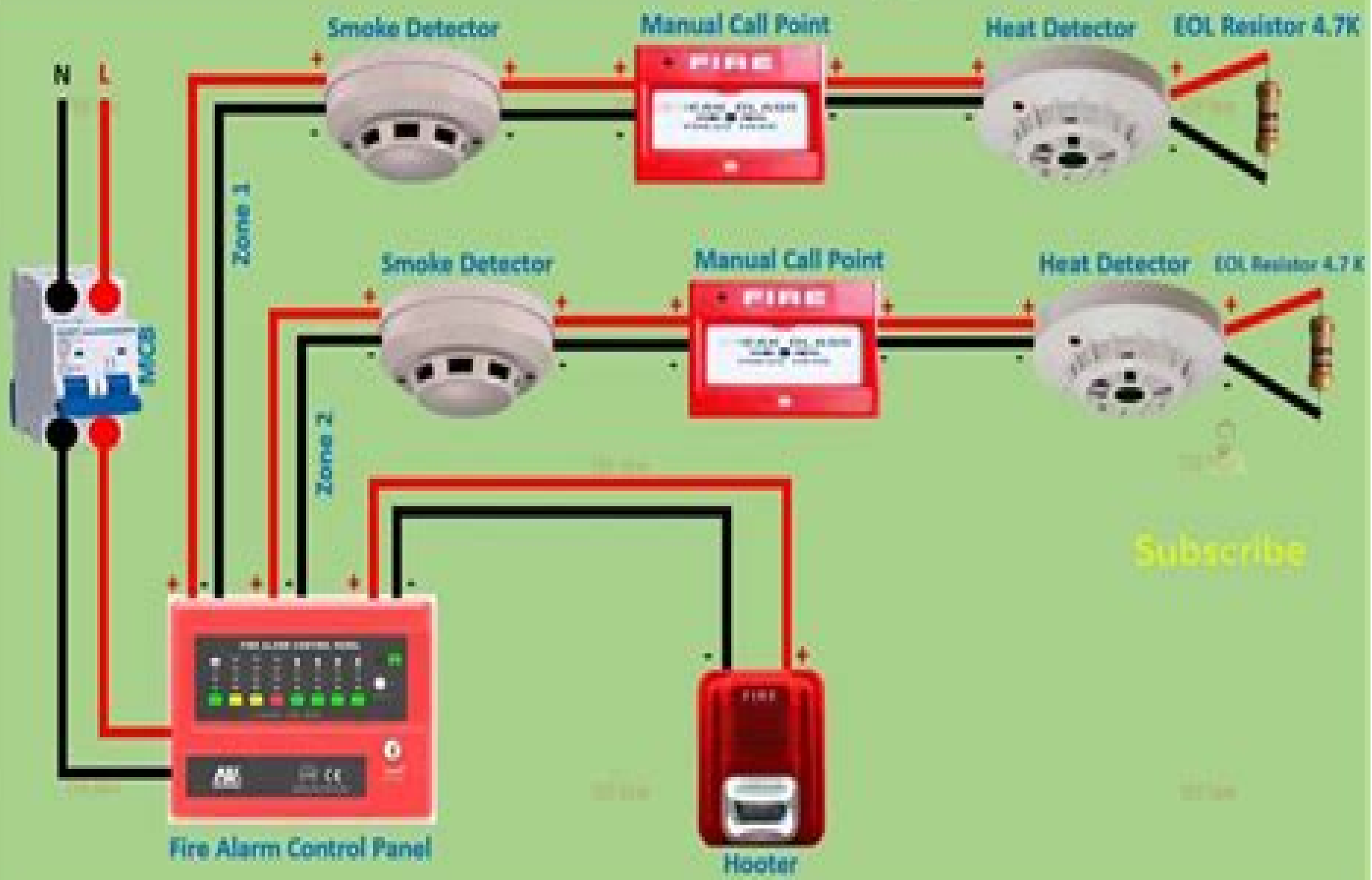


Conventional Fire Alarm System Wiring



Subscribe

Alberta Fire Alarm Guide

Julia Schneider



Alberta Fire Alarm Guide:

Alberta Fire Alarm System Guide 2006 Safety Codes Council (Alberta), Alberta. Alberta Municipal Affairs, 2010

Emergency/disaster Guidelines and Procedures for Employees William H. Avery, Jamie Soo, 2003 This book is designed to prepare the employer for any eventuality relating to any man made or natural disaster or emergency Most importantly this publication discusses the elements necessary in developing an emergency response plan or business continuity plan It also presents Canadian legislative references that are important considerations in the realization of a complete emergency plan

Fire Alarm Systems Alberta. Alberta Labour. General Safety Services Division, 1988 Manual consolidating the requirements for fire alarm systems of the Alberta Building Code 1985 the Alberta Fire Code and documents referenced in these two codes A glossary and a list of applicable standards are included The manual includes the design and installation of fire alarm systems its verification the audit of an existing system and maintenance *Resources in Education* ,1999

Safety Manual for Indian Laboratories Dr Ajay Kumar Gupta, Pritanshu, 2014-06-05 This lab manual is designed to ensure safe working in laboratories Content is basically according to Indian conditions The manual puts emphasis on adherence to lab rules and regulations There is detailed information regarding safe handling of lab equipments and chemicals This lab manual answers all the basic questions arises in a beginner s mind while working in lab Labs have different conditions according to respective areas so one section is devoted to each type of lab conditions Considering incidences of minor and major accidents due to ignorance and negligence in laboratories this manual has been prepared This manual explains each and every topic in simple and easy language It also includes do s and don ts of lab so as to clearly envisage necessary instructions to be followed in labs *First Nations Wildfire Evacuations* Tara K. McGee, Amy Cardinal Christianson, First Nations Wildfire Evacuation Partnership, 2021-07-01 Based on interviews with over two hundred wildfire evacuees from seven First Nations this book provides invaluable guidance on how Indigenous communities and external agencies can best prepare for the different stages of a wildfire evacuation Packed with stories checklists and guiding questions it outlines what to expect and how to plan Topics include assessing the risk to the health and safety of community members determining when to do a partial versus a full evacuation knowing who to contact for help troubleshooting transportation issues communicating with community members before and after the evacuation arranging appropriate accommodation caring for Elders and other more vulnerable community members organizing food and activities while away With climate change raising the danger of wildfires around the world the experiences of the communities featured in this book will serve as an indispensable resource for any town at risk from fire

Proceedings of the International Symposium on the Forensic Aspects of Arson Investigations ,1999 Canadian Parliamentary Guide 2008 ,2008-04 Provides information on both federal and provincial governments courts and their elected and appointed members Provides descriptions of each of the institutions including brief historical information and biographical sketches of their members and staff Covers the results of

all federal general elections and by elections from Confederations to the present
Department,1948 **Fire** ,1922

Field Manuals United States. War

Thank you completely much for downloading **Alberta Fire Alarm Guide**. Most likely you have knowledge that, people have see numerous period for their favorite books afterward this Alberta Fire Alarm Guide, but end going on in harmful downloads.

Rather than enjoying a fine PDF in the manner of a cup of coffee in the afternoon, otherwise they juggled subsequent to some harmful virus inside their computer. **Alberta Fire Alarm Guide** is handy in our digital library an online entrance to it is set as public for that reason you can download it instantly. Our digital library saves in complex countries, allowing you to get the most less latency time to download any of our books later this one. Merely said, the Alberta Fire Alarm Guide is universally compatible later any devices to read.

https://stats.tinkerine.com/About/virtual-library/default.aspx/besieged_voices_from_delhi_1857.pdf

Table of Contents Alberta Fire Alarm Guide

1. Understanding the eBook Alberta Fire Alarm Guide
 - The Rise of Digital Reading Alberta Fire Alarm Guide
 - Advantages of eBooks Over Traditional Books
2. Identifying Alberta Fire Alarm Guide
 - Exploring Different Genres
 - Considering Fiction vs. Non-Fiction
 - Determining Your Reading Goals
3. Choosing the Right eBook Platform
 - Popular eBook Platforms
 - Features to Look for in an Alberta Fire Alarm Guide
 - User-Friendly Interface
4. Exploring eBook Recommendations from Alberta Fire Alarm Guide
 - Personalized Recommendations
 - Alberta Fire Alarm Guide User Reviews and Ratings

- Alberta Fire Alarm Guide and Bestseller Lists
- 5. Accessing Alberta Fire Alarm Guide Free and Paid eBooks
 - Alberta Fire Alarm Guide Public Domain eBooks
 - Alberta Fire Alarm Guide eBook Subscription Services
 - Alberta Fire Alarm Guide Budget-Friendly Options
- 6. Navigating Alberta Fire Alarm Guide eBook Formats
 - ePub, PDF, MOBI, and More
 - Alberta Fire Alarm Guide Compatibility with Devices
 - Alberta Fire Alarm Guide Enhanced eBook Features
- 7. Enhancing Your Reading Experience
 - Adjustable Fonts and Text Sizes of Alberta Fire Alarm Guide
 - Highlighting and Note-Taking Alberta Fire Alarm Guide
 - Interactive Elements Alberta Fire Alarm Guide
- 8. Staying Engaged with Alberta Fire Alarm Guide
 - Joining Online Reading Communities
 - Participating in Virtual Book Clubs
 - Following Authors and Publishers Alberta Fire Alarm Guide
- 9. Balancing eBooks and Physical Books Alberta Fire Alarm Guide
 - Benefits of a Digital Library
 - Creating a Diverse Reading Collection Alberta Fire Alarm Guide
- 10. Overcoming Reading Challenges
 - Dealing with Digital Eye Strain
 - Minimizing Distractions
 - Managing Screen Time
- 11. Cultivating a Reading Routine Alberta Fire Alarm Guide
 - Setting Reading Goals Alberta Fire Alarm Guide
 - Carving Out Dedicated Reading Time
- 12. Sourcing Reliable Information of Alberta Fire Alarm Guide
 - Fact-Checking eBook Content of Alberta Fire Alarm Guide
 - Distinguishing Credible Sources

13. Promoting Lifelong Learning
 - Utilizing eBooks for Skill Development
 - Exploring Educational eBooks
14. Embracing eBook Trends
 - Integration of Multimedia Elements
 - Interactive and Gamified eBooks

Alberta Fire Alarm Guide Introduction

Free PDF Books and Manuals for Download: Unlocking Knowledge at Your Fingertips In today's fast-paced digital age, obtaining valuable knowledge has become easier than ever. Thanks to the internet, a vast array of books and manuals are now available for free download in PDF format. Whether you are a student, professional, or simply an avid reader, this treasure trove of downloadable resources offers a wealth of information, conveniently accessible anytime, anywhere. The advent of online libraries and platforms dedicated to sharing knowledge has revolutionized the way we consume information. No longer confined to physical libraries or bookstores, readers can now access an extensive collection of digital books and manuals with just a few clicks. These resources, available in PDF, Microsoft Word, and PowerPoint formats, cater to a wide range of interests, including literature, technology, science, history, and much more. One notable platform where you can explore and download free Alberta Fire Alarm Guide PDF books and manuals is the internet's largest free library. Hosted online, this catalog compiles a vast assortment of documents, making it a veritable goldmine of knowledge. With its easy-to-use website interface and customizable PDF generator, this platform offers a user-friendly experience, allowing individuals to effortlessly navigate and access the information they seek. The availability of free PDF books and manuals on this platform demonstrates its commitment to democratizing education and empowering individuals with the tools needed to succeed in their chosen fields. It allows anyone, regardless of their background or financial limitations, to expand their horizons and gain insights from experts in various disciplines. One of the most significant advantages of downloading PDF books and manuals lies in their portability. Unlike physical copies, digital books can be stored and carried on a single device, such as a tablet or smartphone, saving valuable space and weight. This convenience makes it possible for readers to have their entire library at their fingertips, whether they are commuting, traveling, or simply enjoying a lazy afternoon at home. Additionally, digital files are easily searchable, enabling readers to locate specific information within seconds. With a few keystrokes, users can search for keywords, topics, or phrases, making research and finding relevant information a breeze. This efficiency saves time and effort, streamlining the learning process and allowing individuals to focus on extracting the information they need. Furthermore, the availability of free PDF books and manuals fosters a culture of continuous learning. By removing

financial barriers, more people can access educational resources and pursue lifelong learning, contributing to personal growth and professional development. This democratization of knowledge promotes intellectual curiosity and empowers individuals to become lifelong learners, promoting progress and innovation in various fields. It is worth noting that while accessing free Alberta Fire Alarm Guide PDF books and manuals is convenient and cost-effective, it is vital to respect copyright laws and intellectual property rights. Platforms offering free downloads often operate within legal boundaries, ensuring that the materials they provide are either in the public domain or authorized for distribution. By adhering to copyright laws, users can enjoy the benefits of free access to knowledge while supporting the authors and publishers who make these resources available. In conclusion, the availability of Alberta Fire Alarm Guide free PDF books and manuals for download has revolutionized the way we access and consume knowledge. With just a few clicks, individuals can explore a vast collection of resources across different disciplines, all free of charge. This accessibility empowers individuals to become lifelong learners, contributing to personal growth, professional development, and the advancement of society as a whole. So why not unlock a world of knowledge today? Start exploring the vast sea of free PDF books and manuals waiting to be discovered right at your fingertips.

FAQs About Alberta Fire Alarm Guide Books

How do I know which eBook platform is the best for me? Finding the best eBook platform depends on your reading preferences and device compatibility. Research different platforms, read user reviews, and explore their features before making a choice. Are free eBooks of good quality? Yes, many reputable platforms offer high-quality free eBooks, including classics and public domain works. However, make sure to verify the source to ensure the eBook credibility. Can I read eBooks without an eReader? Absolutely! Most eBook platforms offer web-based readers or mobile apps that allow you to read eBooks on your computer, tablet, or smartphone. How do I avoid digital eye strain while reading eBooks? To prevent digital eye strain, take regular breaks, adjust the font size and background color, and ensure proper lighting while reading eBooks. What the advantage of interactive eBooks? Interactive eBooks incorporate multimedia elements, quizzes, and activities, enhancing the reader engagement and providing a more immersive learning experience. Alberta Fire Alarm Guide is one of the best book in our library for free trial. We provide copy of Alberta Fire Alarm Guide in digital format, so the resources that you find are reliable. There are also many Ebooks of related with Alberta Fire Alarm Guide. Where to download Alberta Fire Alarm Guide online for free? Are you looking for Alberta Fire Alarm Guide PDF? This is definitely going to save you time and cash in something you should think about.

Find Alberta Fire Alarm Guide :

besieged voices from delhi 1857

best friends the true story of the worlds most beloved animal sanctuary

best baby guide book

besanko microeconomics solutions manual

best healthy recipe books

best cookbooks of all time

best yamaha ef3000 generator service manual

bernie sanders texas

bernie sanders monsanto

best hikes near columbus best hikes near series

best ernest hemingway books

best book for english poetry up pcs main

best hikes near cleveland best hikes near series

best vegetable cookbooks

best buy xbox 360 trade in value

Alberta Fire Alarm Guide :

nestwärme was wir von vögeln lernen können by ernst paul - Sep 02 2023

web jun 19 2023 nestwärme was wir von vögeln lernen können by ernst paul dörfler die heimat von uferschnepfe bekassine und co fällt der intensiven landwirtschaft zum opfer mit der heimat schrumpfen auch die bestände die brut

nestwarme was wir von vögeln lernen können pdf - Jul 20 2022

web naturgeschichte und abbildungen der vögel gezeichnet und lithographirt von k j brodtmann nestwarme was wir von vögeln lernen können downloaded from api calvertfoundation org by guest sherman uriel die kanarienvögel und deren bastarde vollständige anweisung zur kenntniss und pflege derselben etc walter de

pdf nestwarme was wir von vögeln lernen können - Jan 26 2023

web nestwarme was wir von vögeln lernen können record of the proceedings of the international typographers congress jan 16 2020 interest as related to will feb 26 2021 taschenbuch für bücherfreunde apr 30 2021 collection of pamphlets on greek history dec 19 2022 statistische monatschrift herausgegeben vom bureau der k k

die lehre von vögeln lernen leicht und anschaulich erklärt - Oct 23 2022

web einfach die lehre von vögeln verstehen für die 5 klasse bei learnattack fällt dir das lernen und verstehen über die lehre von vögeln echt leicht wir helfen dir dabei alles rund um körperaufbau flug und zugverhalten sowie die besonderen merkmale der unterschiedlichen arten zu lernen

nestwärme was wir von vögeln lernen können amazon de - Oct 03 2023

web nestwärme was wir von vögeln lernen können dörfler ernst paul bartels ute amazon de bücher bücher naturwissenschaften technik biowissenschaften neu 20 00 weitere informationen kostenfreie retouren montag 25 september oder schnellste lieferung samstag 23 september 4 stdn 45 min lieferadresse wählen

nestwarme was wir von vogeln lernen können book - Feb 24 2023

web nestwarme was wir von vogeln lernen können die gefiederte welt jan 24 2020 gefangene vgel ein hand und lehrbuch fr liebhaber und pfleger einheimischer und fremdlnidischer kfigvgel von a e brehm in verbindung mit baldamus bodinus und anderen bewhrten vogelwirten etc bd 2 von a e brehm unter mithilfe von o

nestwarme was wir von vogeln lernen können pdf - May 18 2022

web apr 9 2023 kindly say the nestwarme was wir von vogeln lernen können is universally compatible with any devices to read frank and bert chris naylor ballesteros 2022 02 a hilarious new picture book from author of the suitcase chris naylor ballesteros i am a little cat helmut spanner 1983 christine s cat describes his activities during a typical day

nestwärme was wir von vögeln lernen können google play - May 30 2023

web nestwärme was wir von vögeln lernen können ebook written by ernst paul dörfler read this book using google play books app on your pc android ios devices download for offline reading highlight bookmark or take notes while you read nestwärme was wir von vögeln lernen können

nestwarme was wir von vogeln lernen können nell zink copy - Jun 18 2022

web it will totally ease you to look guide nestwarme was wir von vogeln lernen können as you such as by searching the title publisher or authors of guide you essentially want you can discover them rapidly in the house workplace or perhaps in your method can be every best area within net connections

nestwärme was wir von den vögeln lernen können ii - Mar 28 2023

web nestwärme was wir von den vögeln lernen können einblicke rund um das Ökowerk outdoorführung zum thema die nachgewiesenen vogelarten werden im rahmen der city nature challenge erfasst dr ernst paul dörfler uhrzeit 16 00 17 30 uhr veranstalter Ökowerk treffpunkt Ökowerk beitrag erwachsene 4 kinder 3

nestwarme was wir von vogeln lernen können laura spinney - Aug 21 2022

web nestwarme was wir von vogeln lernen können nestwarme was wir von vogeln lernen können 2 downloaded from

darelova.com on 2023 06 28 by guest enjoy a walk in the country where he admits he is afraid grandfather will soon forget to love him the little book of mindfulness tiddy rowan 2013 11 07 more and more of us are suffering from the

nestwärme was wir von vögeln lernen können - Dec 25 2022

web das buch geht von der aufforderung jesu in der bergpredigt aus von den vögeln zu lernen in form kleiner andachten erhalten wir von sperlingen raben und anderen vögeln belehrung trost ermutigung Über 100 großformatige fotos zeigen die meisten der besprochenen tiere das buch wendet sich vor allem an christen die die bibel ernst

nestwärme was wir von vögeln lernen können - Mar 16 2022

web stimulate metamorphosis is truly astonishing within the pages of nestwärme was wir von vögeln lernen können an enthralling opus penned by a highly acclaimed wordsmith readers embark on an immersive expedition to unravel the intricate significance of language and its indelible imprint on our lives

nestwärme was wir von vögeln lernen können amazon.de - Jun 30 2023

web nestwärme was wir von vögeln lernen können dörfler ernst paul isbn 9783442178711 kostenloser versand für alle bücher mit versand und verkauf durch amazon nestwärme was wir von vögeln lernen können dörfler ernst paul amazon.de bücher

read free nestwärme was wir von vögeln lernen können - Nov 23 2022

web nestwärme was wir von vögeln lernen können einhundert tafeln colorirter abbildungen on vogeleiern zur fortpflanzungsgeschichte der gesammten vögel etc may 27 2022 humboldt mar 05 2023 durch die lupe betrachtet lateinamerika 1967 68

nestwärme was wir von vögeln lernen können pdf - Apr 16 2022

web lernen können in a digitally driven earth wherever screens reign great and quick interaction drowns out the subtleties of language the profound strategies and mental subtleties hidden within phrases often go unheard

nestwärme was wir von vögeln lernen können - Aug 01 2023

web thank you for reading nestwärme was wir von vögeln lernen können maybe you have knowledge that people have search numerous times for their favorite books like this nestwärme was wir von vögeln lernen können but end up in infectious downloads rather than reading a good book with a cup of coffee in the afternoon instead they

nestwärme was wir von vögeln lernen können hardcover - Apr 28 2023

web select the department you want to search in

nestwärme was wir von vögeln lernen können krausfinanz - Sep 21 2022

web jul 12 2019 nestwärme was wir von vögeln lernen können vögel leben gesünder bewegen sich klimafreundlich und ziehen ihren nachwuchs gemeinsa

nestwarme was wir von vogeln lernen können pdf - Feb 12 2022

web aug 28 2023 nestwarme was wir von vogeln lernen können 1 9 downloaded from uniport edu ng on august 28 2023 by guest nestwarme was wir von vogeln lernen können when people should go to the books stores search commencement by shop shelf by shelf it is in point of fact problematic this is why we present the book compilations in

sins of our youth 2014 full cast crew imdb - Nov 08 2022

web sins of our youth 2014 cast and crew credits including actors actresses directors writers and more

sins of our youth 2014 the movie database tmdb - Apr 01 2022

web jul 31 2014 overview sins of our youth is the story of four teenagers who accidentally murder a younger boy while shooting off assault weapons recreationally and the perilous decisions they make in the wake of the murder

sins of our youth rotten tomatoes - Aug 05 2022

web movie info four teenagers accidentally murder a younger boy while shooting assault weapons in a moment of desperation paranoia and fear that their lives have been ruined by the deadly

sins of our youth official trailer 1 2016 mitchel musso joel - Aug 17 2023

web sins of our youth trailer 1 2016 mitchel musso joel courtney thriller movie hd official trailer

sins of our youth 2014 mubi - Jan 10 2023

web sins of our youth yönetmen gary entin abd 2014 drama 93 Özet the story of four teenage boys who accidentally kill a young boy while shooting off assault weapons recreationally and the perilous decisions they make in the wake of the killing
Özet

sins of our youth 2014 sinefil - Apr 13 2023

web film 1 saat 33 dk dram gerilim abd künye

sins of our youth movies on google play - Dec 09 2022

web sins of our youth is the story of four teenagers who accidentally murder a younger boy while shooting off assault weapons recreationally and the perilous decisions they make in the wake of

sins of our youth sinematürk - Mar 12 2023

web sins of our youth sins of our youth beğen likecount listeye ekle liste yok list name yıl 2014 Ülke tür yönetmen altın portakal en İyi film Ödülü alan 5 yeşilçam filmi 16 mart 2023 80 lerde popüler olan İsimlerin bilinmeyen 5 filmi 06 mart 2023 5 baba karakter İle hulusi kentmen

sins of our youth apple tv - Jul 04 2022

web sins of our youth is the story of four teenagers who accidentally murder a younger boy while shooting off assault weapons recreationally and the perilous decisions they make in the wake of the murder drama 2016 1 hr 31 min r starring

lucas till joel courtney mitchel musso director gary entin trailers sins of our youth cast crew

sins of our youth 2014 filmi sinemalar com - Jul 16 2023

web yönetmen gary entin senarist edmund entin yapımı 2014 abd sins of our youth filmi oyuncularını ally sheedy lucas till mitchel musso joel courtney kherington payne yapımcı michael huffington favori 1 kullanıcının favori filmi filmi İzleyenler 2 kullanıcı sins of our youth filmini izledi filmi ekleyen dirty54

[sins of our youth film 2014 moviepilot](#) - Feb 28 2022

web sins of our youth ist ein drama aus dem jahr 2014 von gary entin mit lucas till und joel courtney sins of our youth ist ein von gary entin inszeniertes jugenddrama in dem ein paar jugendliche

sins of our youth teen movie 2016 trailer youtube - Jun 03 2022

web nov 19 2016 four teenagers who accidentally murder a younger boy while shooting off assault weapons recreationally the most moving movies are here goo gl

[sins of our youth metacritic](#) - Feb 11 2023

web 1 h 33 m summary sins of our youth is the story of four teenagers who accidentally murder a younger boy while shooting off assault weapons recreationally and the perilous decisions they make in the wake of the murder drama thriller directed by gary entin

sins of our youth 2014 imdb - Sep 18 2023

web dec 2 2016 sins of our youth directed by gary entin with lucas till joel courtney mitchel musso ally sheedy four teenagers accidentally kill a younger boy while shooting off assault weapons recreationally perilous decisions are

watch sins of our youth 2014 free movies tubi - Jan 30 2022

web sins of our youth 2014 1 hr 31 min tv ma crime thriller drama while recreationally shooting off assault weapons four teenagers accidentally kill a younger boy and make perilous choices in the wake of his death starring ally sheedy lucas till joel courtney mitchel musso bridger zadina directed by gary entin you may also like coldwater

sins of our youth 2014 turkcealtyazi org türkçe altyazı - Sep 06 2022

web jul 2 2014 sins of our youth saldırı silahları ile eğlencede kazayla genç bir çocuğu öldüren dört gençnin hikayesi ve cinayetin ardından ortaya çıkan tehlikeli kararlar gönderen tuanay sins of our youth altyazıları henüz bu

[sins of our youth wikipedia](#) - Jun 15 2023

web sins of our youth is a 2014 thriller drama film directed by gary entin and starring lucas till joel courtney and mitchel musso the film is a cautionary tale that highlights a new generation in the united states that is desensitized by an oversaturation of violence in the mainstream media and who have ready access to firearms

sins of our youth film review the hollywood reporter - May 02 2022

web dec 6 2016 sins of our youth film review four boys who ve accidentally killed a child hatch a bizarre scheme in gary entin s sins of our youth

[sins of our youth 2014 filmaffinity](#) - Oct 07 2022

web sins of our youth is a film directed by gary entin with lucas till joel courtney mitchel musso ally sheedy year 2014 original title sins of our youth synopsis sins of our youth is the story of four teenagers who accidentally murder a younger boy while shooting off assault weapons recreationally and the perilous decisions they make in the wake of

[sins of our youth official trailer 1 2016 lucas till movie](#) - May 14 2023

web nov 29 2016 sins of our youth official trailer 1 2016 lucas till movie rotten tomatoes indie 2 22m subscribers subscribe 169 share 25k views 6 years ago starring lucas till joel courtney

organic chemistry solution manual chegg com - Jun 05 2023

web get started select your edition below by 8th edition author leroy g wade jr 1409 solutions available by 7th edition author leroy g wade 1407 solutions available see all 7th editions by 6th edition author leroy g wade 1396 solutions available frequently asked questions

map organic chemistry wade chemistry libretexts - Sep 27 2022

web map organic chemistry wade

solutions manual for organic chemistry seventh ed by l g wade - May 04 2023

web solutions manual for organic chemistry seventh ed by l g wade jan william simek leroy g wade prentice hall 2010 chemistry organic 697 pages manual to accompany the

[organic chemistry 7th edition macmillan learning us](#) - Jul 26 2022

web organic chemistry request a sample or learn about ordering options for organic chemistry 7th edition by marc loudon from the macmillan learning instructor catalog

solutions manual for organic chemistry leroy g wade jan - Mar 02 2023

web solutions manual for organic chemistry leroy g wade jan william simek pearson jul 23 2013 chemistry organic 680 pages prepared by jan william simek this manual provides

[organic chemistry solutions manual wade 7th edition pdf](#) - Mar 22 2022

web dec 30 2017 read organic chemistry solutions manual wade 7th edition pdf by xf97 on issuu and browse thousands of other publications on our platform start here

[study guide and student s solutions manual for organic chemistry 7th](#) - Feb 18 2022

web download free pdf study guide and student s solutions manual for organic chemistry 7th edition by paula y bruice lloyd tracy study guide and student s

organic chemistry 7th edition amazon com - Feb 01 2023

web feb 1 2009 over the course of fifteen years at colorado state dr wade taught organic chemistry to thousands of students working toward careers in all areas of biology chemistry human medicine veterinary medicine and environmental studies

solutions manual for organic chemistry 7th edition 7th edition - Apr 03 2023

web mar 15 2009 solutions manual for organic chemistry 7th edition 7th edition by jan simek author l g wade jr author 4 5 4 5 out of 5 stars 97 ratings

organic chemistry 8e 2013 l g wade solution manual - Apr 22 2022

web organic chemistry 8e 2013 l g wade solution manual pdf organic chemistry 8e 2013 l g wade solution manual ☐☐ ☐ academia edu academia edu no longer supports internet explorer

solutions manual for organic chemistry 7th edition by jan - Oct 29 2022

web jun 25 2012 solutions manual for organic chemistry 7th edition by jan simek l g wade jr 2012 06 25 paperback 4 5 108 ratings see all formats and editions paperback 11 91 8 used from 11 89 1 new from 122 90 publisher prentice hall see all details the amazon book review book recommendations author interviews editors picks and more

solutions manual for organic chemistry by leroy g wade jr goodreads - Aug 27 2022

web jan 1 2006 solutions manual for organic chemistry leroy g wade jr jan william simek 4 06 68 ratings3 reviews product is in acceptable condition has tears to the cover and has spine wear and tear book is intact no pen highlighter markings genres textbooks 697 pages paperback first published january 1 2006 book details editions

solutions manual for organic chemistry 7th edition softcover - Dec 31 2022

web solutions manual for organic chemistry 7th edition by jan simek l g wade jr isbn 10 0321598717 isbn 13 9780321598714 pearson college div 2009 softcover

solutions manual for organic chemistry pdf free download - Jun 24 2022

web student solutions manual to accompany organic chemistry seventh edition read more fundamentals of organic chemistry 5e study guide and solutions manual read more physical chemistry student solutions manual read more physical chemistry student solutions manual read more study guide and solutions manual to

study organic chemistry - Aug 07 2023

web organic chemistry 7th edition l g wade study guide and solutions manual for organic chemistry p y bruice introduction to organic chemistry w h brown and t poon organic chemistry f a carey student solutions manual to accompany organic chemistry seventh edition f a carey organic chemistry k p c

organic chemistry by leroy g wade jr open library - Nov 29 2022

web dec 10 2022 an edition of organic chemistry solutions manual 1987 organic chemistry 7th ed by leroy g wade jr 0

ratings 14 want to read 4 currently reading 0 have read this edition doesn't have a description yet can you add one publish date 2010 publisher pearson prentice hall language english previews available in

organic chemistry 7th edition solutions and answers quizlet - Sep 08 2023

web chapter 27 amino acids and proteins find step by step solutions and answers to organic chemistry 9780321610065 as well as thousands of textbooks so you can move forward with confidence

solutions for organic chemistry 7th by leroy g wade numerade - Oct 09 2023

web solutions for organic chemistry 7th leroy g wade get access to all of the answers and step by step video explanations to this book and 5 000 more try numerade free join free today chapters 1 introduction and review 14 sections 48 questions 2 structure and properties of organic molecules 14 sections 45 questions 3

organic chemistry wade 7th edition solution manual online issuu - May 24 2022

web jul 6 2017 get organic chemistry wade 7th edition solution manual online pdf file for free from organic chemistry wade 7th edition solution manual online iyramonwhz pdf 94

study guide and solutions manual for organic chemistry seventh edition - Jul 06 2023

web english x 521 pages 28 cm to accompany organic chemistry structure and function seventh edition structure and bonding in organic molecules structure and reactivity acids and bases polar and nonpolar molecules reactions of alkanes bond dissociation energies radical halogenation and relative reactivity cycloalkanes