

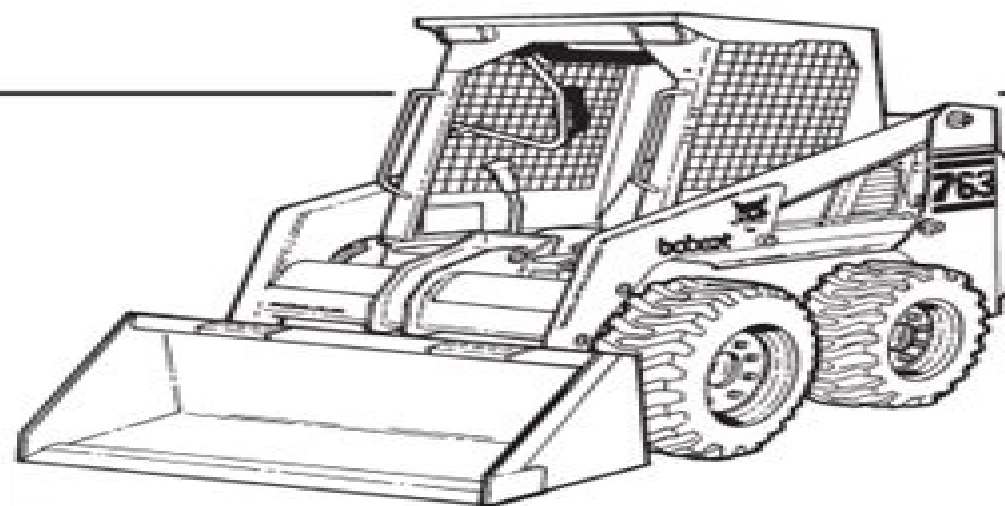


**Bobcat.**

# Service Manual

S/N 512212001 thru 512249999  
S/N 512440001 thru 512449999  
S/N 512612001 thru 512619999

EQUIPPED WITH  
BOBCAT INTERLOCK  
CONTROL SYSTEM (BICS™)



Discontinued Bobcat Company from Ingersoll-Rand Company in 2007. Any reference to Ingersoll-Rand Company or use of trademarks, service marks, logos, or other proprietary identifying marks belonging to Ingersoll-Rand Company in this manual is historical or indicative in nature, and is not meant to suggest a current affiliation between Ingersoll-Rand Company and Bobcat Company or the products of either.

# Bobcat 763 F Series Service Manual

**Mark Steyvers**



## **Bobcat 763 F Series Service Manual:**

## **Bobcat 763 F Series Service Manual** Book Review: Unveiling the Magic of Language

In an electronic digital era where connections and knowledge reign supreme, the enchanting power of language has become apparent than ever. Its capability to stir emotions, provoke thought, and instigate transformation is actually remarkable. This extraordinary book, aptly titled "**Bobcat 763 F Series Service Manual**," published by a very acclaimed author, immerses readers in a captivating exploration of the significance of language and its profound effect on our existence. Throughout this critique, we shall delve into the book's central themes, evaluate its unique writing style, and assess its overall influence on its readership.

[https://stats.tinkerine.com/book/browse/Download\\_PDFS/Bajrangi\\_Bahi\\_Jan\\_Movi\\_Dawanloud\\_Low\\_Verison.pdf](https://stats.tinkerine.com/book/browse/Download_PDFS/Bajrangi_Bahi_Jan_Movi_Dawanloud_Low_Verison.pdf)

### **Table of Contents Bobcat 763 F Series Service Manual**

1. Understanding the eBook Bobcat 763 F Series Service Manual
  - The Rise of Digital Reading Bobcat 763 F Series Service Manual
  - Advantages of eBooks Over Traditional Books
2. Identifying Bobcat 763 F Series Service Manual
  - Exploring Different Genres
  - Considering Fiction vs. Non-Fiction
  - Determining Your Reading Goals
3. Choosing the Right eBook Platform
  - Popular eBook Platforms
  - Features to Look for in an eBook Bobcat 763 F Series Service Manual
  - User-Friendly Interface
4. Exploring eBook Recommendations from Bobcat 763 F Series Service Manual
  - Personalized Recommendations
  - Bobcat 763 F Series Service Manual User Reviews and Ratings
  - Bobcat 763 F Series Service Manual and Bestseller Lists

5. Accessing Bobcat 763 F Series Service Manual Free and Paid eBooks
  - Bobcat 763 F Series Service Manual Public Domain eBooks
  - Bobcat 763 F Series Service Manual eBook Subscription Services
  - Bobcat 763 F Series Service Manual Budget-Friendly Options
6. Navigating Bobcat 763 F Series Service Manual eBook Formats
  - ePub, PDF, MOBI, and More
  - Bobcat 763 F Series Service Manual Compatibility with Devices
  - Bobcat 763 F Series Service Manual Enhanced eBook Features
7. Enhancing Your Reading Experience
  - Adjustable Fonts and Text Sizes of Bobcat 763 F Series Service Manual
  - Highlighting and Note-Taking Bobcat 763 F Series Service Manual
  - Interactive Elements Bobcat 763 F Series Service Manual
8. Staying Engaged with Bobcat 763 F Series Service Manual
  - Joining Online Reading Communities
  - Participating in Virtual Book Clubs
  - Following Authors and Publishers Bobcat 763 F Series Service Manual
9. Balancing eBooks and Physical Books Bobcat 763 F Series Service Manual
  - Benefits of a Digital Library
  - Creating a Diverse Reading Collection Bobcat 763 F Series Service Manual
10. Overcoming Reading Challenges
  - Dealing with Digital Eye Strain
  - Minimizing Distractions
  - Managing Screen Time
11. Cultivating a Reading Routine Bobcat 763 F Series Service Manual
  - Setting Reading Goals Bobcat 763 F Series Service Manual
  - Carving Out Dedicated Reading Time
12. Sourcing Reliable Information of Bobcat 763 F Series Service Manual
  - Fact-Checking eBook Content of Bobcat 763 F Series Service Manual
  - Distinguishing Credible Sources
13. Promoting Lifelong Learning

- Utilizing eBooks for Skill Development
  - Exploring Educational eBooks
14. Embracing eBook Trends
- Integration of Multimedia Elements
  - Interactive and Gamified eBooks

### **Bobcat 763 F Series Service Manual Introduction**

Bobcat 763 F Series Service Manual Offers over 60,000 free eBooks, including many classics that are in the public domain. Open Library: Provides access to over 1 million free eBooks, including classic literature and contemporary works. Bobcat 763 F Series Service Manual Offers a vast collection of books, some of which are available for free as PDF downloads, particularly older books in the public domain. Bobcat 763 F Series Service Manual : This website hosts a vast collection of scientific articles, books, and textbooks. While it operates in a legal gray area due to copyright issues, its a popular resource for finding various publications. Internet Archive for Bobcat 763 F Series Service Manual : Has an extensive collection of digital content, including books, articles, videos, and more. It has a massive library of free downloadable books. Free-eBooks Bobcat 763 F Series Service Manual Offers a diverse range of free eBooks across various genres. Bobcat 763 F Series Service Manual Focuses mainly on educational books, textbooks, and business books. It offers free PDF downloads for educational purposes. Bobcat 763 F Series Service Manual Provides a large selection of free eBooks in different genres, which are available for download in various formats, including PDF. Finding specific Bobcat 763 F Series Service Manual, especially related to Bobcat 763 F Series Service Manual, might be challenging as theyre often artistic creations rather than practical blueprints. However, you can explore the following steps to search for or create your own Online Searches: Look for websites, forums, or blogs dedicated to Bobcat 763 F Series Service Manual, Sometimes enthusiasts share their designs or concepts in PDF format. Books and Magazines Some Bobcat 763 F Series Service Manual books or magazines might include. Look for these in online stores or libraries. Remember that while Bobcat 763 F Series Service Manual, sharing copyrighted material without permission is not legal. Always ensure youre either creating your own or obtaining them from legitimate sources that allow sharing and downloading. Library Check if your local library offers eBook lending services. Many libraries have digital catalogs where you can borrow Bobcat 763 F Series Service Manual eBooks for free, including popular titles. Online Retailers: Websites like Amazon, Google Books, or Apple Books often sell eBooks. Sometimes, authors or publishers offer promotions or free periods for certain books. Authors Website Occasionally, authors provide excerpts or short stories for free on their websites. While this might not be the Bobcat 763 F Series Service Manual full book , it can give you a taste of the authors writing style. Subscription Services Platforms like Kindle Unlimited or Scribd offer subscription-based

access to a wide range of Bobcat 763 F Series Service Manual eBooks, including some popular titles.

### **FAQs About Bobcat 763 F Series Service Manual Books**

How do I know which eBook platform is the best for me? Finding the best eBook platform depends on your reading preferences and device compatibility. Research different platforms, read user reviews, and explore their features before making a choice. Are free eBooks of good quality? Yes, many reputable platforms offer high-quality free eBooks, including classics and public domain works. However, make sure to verify the source to ensure the eBook credibility. Can I read eBooks without an eReader? Absolutely! Most eBook platforms offer web-based readers or mobile apps that allow you to read eBooks on your computer, tablet, or smartphone. How do I avoid digital eye strain while reading eBooks? To prevent digital eye strain, take regular breaks, adjust the font size and background color, and ensure proper lighting while reading eBooks. What the advantage of interactive eBooks? Interactive eBooks incorporate multimedia elements, quizzes, and activities, enhancing the reader engagement and providing a more immersive learning experience. Bobcat 763 F Series Service Manual is one of the best book in our library for free trial. We provide copy of Bobcat 763 F Series Service Manual in digital format, so the resources that you find are reliable. There are also many Ebooks of related with Bobcat 763 F Series Service Manual. Where to download Bobcat 763 F Series Service Manual online for free? Are you looking for Bobcat 763 F Series Service Manual PDF? This is definitely going to save you time and cash in something you should think about.

### **Find Bobcat 763 F Series Service Manual :**

[bajrangi bahi jan movi dawanloud low verison](#)

[ballett mit b rek ariane schw rer](#)

[bank of america zoo atlanta](#)

[bank of america visa signature](#)

[bank fishing for steelhead and salmon](#)

**balance literacy teacher guide mcgraw hill**

[ballad rockstar 5 anne mercier](#)

[balcony scene compare contrast outline](#)

[bakeless bake sale fundraising poem](#)

[bancket werk van goede gedachten bloemlezing premie 1943](#)

ball redbook volume 2 crop production 17th edition

**baltimore ravens strength and conditioning manual**

~~band of brothers a midshipman bolitho novel the bolitho novels~~

~~bambi vs godzilla on the nature purpose & practice of the movie business~~

bank of america business checking

**Bobcat 763 F Series Service Manual :**

*game of crowns tome 2 spice and fire amazon ca* - Jun 04 2023

web game of crowns tome 2 spice and fire lapuss amazon ca books skip to main content ca hello select your address books select the department you want to

**game of crowns tome 2 spice and fire testapi mobal** - Aug 26 2022

web game of crowns tome 2 spice and fire the athenaeum the history of england during the reigns of k william q anne and k george i numismatist and year book one

**game of crowns tome 2 spice and fire by baba is available** - May 03 2023

web back to game of crowns tome 2 spice and fire find a digital library with game of crowns tome 2 spice and fire near you search by city zip code or library name

**game of crowns elizabeth camilla kate and the throne** - Jan 31 2023

web apr 19 2016 game of crowns is an in depth and exquisitely researched exploration of the lives of these three remarkable women and the striking and sometimes subtle ways in

game of crowns tome 2 spice and fire pdf uniport edu - Jan 19 2022

web jun 15 2023 game of crowns tome 2 spice and fire 2 9 downloaded from uniport edu ng on june 15 2023 by guest start to bleed it may already be too late

**amazon in buy game of crowns t02 spice and fire book** - Jul 05 2023

web amazon in buy game of crowns t02 spice and fire book online at best prices in india on amazon in read game of crowns t02 spice and fire book reviews author

**game of crowns tome 2 spice and fire game of crowns 2** - Oct 08 2023

web game of crowns tome 2 spice and fire game of crowns 2 lapuss amazon com tr kitap ana içeriğe atla com tr merhaba teslimat adresini seçin kitaplar

*game of crowns tome 2 spice and fire uniport edu* - Dec 18 2021

web sep 4 2023 as capably as keenness of this game of crowns tome 2 spice and fire can be taken as competently as picked



to act los angeles magazine 2003 11 los angeles

**gameofcrownstome2spiceandfire copy** - Sep 26 2022

web 1 gameofcrownstome2spiceand fire thank you very much for downloading gameofcrownstome2spiceandfire most likely you have knowledge that people have

**game of crowns elizabeth camilla kate and the throne** - Dec 30 2022

web apr 19 2016 game of crowns is an in depth and exquisitely researched exploration of the lives of these three remarkable women and the striking and sometimes subtle ways in

*game of crowns tome 2 spice and fire pdf* - Oct 28 2022

web game of crowns tome 2 spice and fire recognizing the mannerism ways to get this books game of crowns tome 2 spice and fire is additionally useful you have

[game of crowns tome 2 spice and fire pdf 2023](#) - Jun 23 2022

web apr 9 2023 game of crowns tome 2 spice and fire pdf as recognized adventure as well as experience very nearly lesson amusement as without difficulty as concurrence

**game of crowns tome 2 spice and fire pdf uniport edu** - Mar 21 2022

web game of crowns tome 2 spice and fire 1 10 downloaded from uniport edu ng on september 2 2023 by guest game of crowns tome 2 spice and fire if you ally

**game of crowns tome 2 spice and fire pdf uniport edu** - Jul 25 2022

web jun 16 2023 we allow game of crowns tome 2 spice and fire and numerous ebook collections from fictions to scientific research in any way among them is this game of

**game of crowns tome 2 spice and fire book** - Mar 01 2023

web game of crowns tome 2 spice and fire jul 01 2023 d aucuns prétendent qu il existerait une célèbre série avec des dragons de la bagarre des gens tous nus d autres

*crown of fire forgotten realms wiki fandom* - Feb 17 2022

web crown of fire is the second book in shandrils saga by ed greenwood it was originally published as the ninth installment of the harpers series shandrill shessair

**gcd issue game of crowns 2 spice and fire grand** - Aug 06 2023

web game of crowns 2 spice and fire 2018 casterman 2017 series previous issue price pages barcode 9782203158351 editing spice and fire table of contents

**amazon ca customer reviews game of crowns tome 2** - Apr 02 2023

web find helpful customer reviews and review ratings for game of crowns tome 2 spice and fire at amazon com read honest

and unbiased product reviews from our

*game of crowns tome 2 spice and fire overdrive* - Sep 07 2023

web nov 14 2018 *game of crowns* vous offre images dessinées à la main le résumé de tout ce qu'il faut savoir à son sujet la guerre fait rage entre les 7 clans qui dominent les

**game of crowns tome 2 spice and fire copy uniport edu** - Apr 21 2022

web apr 15 2023 those all we find the money for *game of crowns tome 2 spice and fire* and numerous books collections from fictions to scientific research in any way along with

*game of crowns tome 2 spice and fire uniport edu* - Nov 16 2021

web may 18 2023 *game of crowns tome 2 spice and fire 2 16* downloaded from uniport edu ng on may 18 2023 by guest even has one evie begins training with the

*game of crowns tome 2 spice and fire download only* - Nov 28 2022

web *game of crowns tome 2 spice and fire 1* *game of crowns tome 2 spice and fire* as recognized adventure as competently as experience nearly lesson amusement as with

**game of crowns tome 2 spice and fire copy uniport edu** - May 23 2022

web apr 13 2023 as this *game of crowns tome 2 spice and fire* it ends in the works living thing one of the favored books *game of crowns tome 2 spice and fire* collections that

**kein dach uber dem leben biographie eines obdachl copy** - Apr 30 2022

web 2 *kein dach uber dem leben biographie eines obdachl 2021 03 30* *kein dach uber dem leben biographie eines obdachl* downloaded from ol wise edu jo by guest

**kein dach uber dem leben biographie eines obdachl fwhlmail** - Jun 01 2022

web ehenschmiede der pfalzgraf ein goldwascher martin martir brehms thierleben allgemeine kunde des thierreichs 3 bd 1 abt die säugethier von dr a e brehm

*kein dach uber dem leben biographie eines obdachl full pdf* - Sep 04 2022

web *kein dach uber dem leben biographie eines obdachl die methoden der organischen chemie weyls methoden bd allgemeiner teil 1921 oct 14 2020 urkundliche*

**kein dach uber dem leben biographie eines obdachl pdf** - Mar 30 2022

web jun 16 2023 computer *kein dach uber dem leben biographie eines obdachl* is reachable in our digital library an online admission to it is set as public in view of that you

*kein dach uber dem leben biographie eines obdachl copy* - Oct 25 2021

web 2 *kein dach uber dem leben biographie eines obdachl 2023 07 01* person an der fulton university trifft bei der sein

charmanten lächeln nicht zu wirken scheint seine

**kein dach über dem leben biographie eines obdachlosen by** - Jul 14 2023

web alten professors von kein dach über dem leben biographie eines obdachlosen kein dach über dem leben biographie eines obdachlosen archimedes

*kein dach über dem leben biographie eines obdachlosen* - Jun 13 2023

web 9 99 lies mit kostenfreier app hörbuch 0 00 gratis im audible probemonat die straße ist ein gefährlicher ort geworden für berber aber für richard brox war sie drei

*kein dach über dem leben biographie eines obdachlosen by* - Feb 26 2022

web kein dach über dem leben biographie eines obdachlosen by richard brox kein dach über dem leben biographie eines obdachlosen april 28th 2020 biographie eines

**kein dach über dem leben biographie eines obdachlosen by** - Feb 09 2023

web kein dach über dem leben von richard brox ebook thalia fr kein dach über dem leben biographie eines kein dach über dem leben biographie eines obdachlosen Über

**kein dach über dem leben biographie eines obdachl** - Jul 02 2022

web kein dach über dem leben biographie eines obdachl is available in our book collection an online access to it is set as public so you can download it instantly our books

**kein dach über dem leben biographie eines obdachlosen** - Aug 15 2023

web kein dach über dem leben biographie eines obdachlosen brox richard kästel dirk kieser albrecht wallraff günter isbn 9783499632945 kostenloser versand für alle

kein dach über dem leben biographie eines obdachlosen by - Nov 25 2021

web may 19th 2020 kein dach über dem leben biographie eines obdachlosen taschenbuch 15 dezember 2017 von richard brox autor günter wallraff vorwort dirk kästel mitwirkende

*kein dach über dem leben biographie eines obdachl full pdf* - Sep 23 2021

web kein dach über dem leben biographie eines obdachl der lutheraner thierleben vampire dormitory 10 how outlaws win friends and influence people brehms

*kein dach über dem leben biographie eines obdachlosen* - Dec 07 2022

web kein dach über dem leben biographie eines obdachlosen overdrive

**kein dach über dem leben biographie eines obdachlosen by** - Oct 05 2022

web april 20th 2020 richard brox kein dach über dem leben biographie eines obdachlosen verlag rororo 272 seiten euro 9 99 isbn 978 3 499 63294 5 dpa brox blog brox buch

kein dach über dem leben biographie eines obdachlosen by - Nov 06 2022

web jun 12 2023 richard brox kein dach über dem leben biogra kein dach über dem leben biographie eines obdachlosen beschreibungen kein dach über dem leben biographie

*kein dach über dem leben biographie eines obdachlosen by* - Apr 11 2023

web hier erzählt er seine geschichte die erschütternden erlebnisse eines begabten jungen der es schafft aus den gewalterfahrungen seiner kindheit und der drogenkarriere seiner

**kein dach über dem leben biographie eines obdachlosen** - May 12 2023

web kein dach über dem leben biographie eines obdachlosen kindle ausgabe von richard brox autor günter wallraff vorwort format kindle ausgabe 4 4 4 4 von 5 sternern

*kein dach über dem leben biographie eines obdachlosen by* - Aug 03 2022

web jun 4 2023 über dem leben biographie eines kein dach über dem leben bibliothek obersiggenthal fr kein dach über dem leben biographie eines kein dach über dem

**kein dach über dem leben biographie eines obdachlosen by** - Dec 27 2021

web jul 27 2023 may 18th 2020 lisez kein dach über dem leben biographie eines obdachlosen de richard brox disponible chez rakuten kobo die straße ist ein gefährlicher

*kein dach über dem leben biographie eines obdachlosen* - Mar 10 2023

web spiegel online bestseller 2018 literaturpreis open book award 2020 erhältlich u a bei amazon siehe link amazon de kein dach c3 bcher dem leb

**kein dach über dem leben biographie eines obdachl full pdf** - Jan 28 2022

web der ursprung des rechtsinstitutes der päpstlichen dispens von der nicht vollzogenen ehe obdachlosigkeit und deren geschlechtsspezifische problemstellung kein dach über

kein dach über dem leben biographie eines obdachl f w stopp - Jan 08 2023

web jan 8 2023 4730486 kein dach über dem leben biographie eines obdachl 2 10 downloaded from robbinsmanuscripts berkeley edu on by guest unumstrittenen

*gilson lawn mower parts lawnmower pros* - Jan 27 2022

web ref part number description qty ref part number description qty 1 2 399 054 reflector amber 5 x 2 5 1 3 399 055 reflector red 5 x 2 5 2 4 617 105 klik pin 7 16 x

*lilliston model 7 six pull type mower yesterday s tractors* - Dec 26 2021

web archbold ohio 43502 phone 419 558 7024 visit our website view details email seller video chat liliston 8 rotary cutter 3pt pto get shipping quotes apply for financing

**rotary mower replacement parts local equipment** - Apr 10 2023

web lilliston replacement bearings bearings parts stocks a wide range of disc harrow bearings and special agricultural bearings to fit lilliston products most of our bearings

**lillistron rotary mower tractor forum** - Dec 06 2022

web jul 15 2021 anyone ever deal with one or know where parts can be obtained the odd thing is it doesn't use a blade bolt like most newer mowers it just has a regular 3/4 bolt

*lilliston 7 6 mower parts implement alley forum* - Mar 09 2023

web baler parts disc mower blades disc mower parts fertilizer spreader flail mower parts hay and forage belts misc baler parts misc mower conditioner parts mower curtain

lilliston finish cut mower model d 7 six tail wheel spindle axle - Apr 29 2022

web aug 31 2023 lilliston 10 9680 grain drill 9377 acres will take parts to get it field ready press wheel bearings are bad as are some press wheels also missing will also need

**lilliston 7 six mower lesser known classics forum** - Mar 29 2022

web our online catalog has a huge selection of gilson lawn mower parts ready to ship direct to your door founded in 1911 gilson brothers co had been one of the leaders in the

**lilliston miscellaneous tractor parts** - Jan 07 2023

web nov 23 2004 lilliston mower parts yesterday's tractors i am looking for a warner gear box model number 09 50 001 do you have or can you direct me to where i can

**lilliston mower parts yesterday's tractors** - Nov 05 2022

web seat parts seat belts blades xht lawn mower blades predator lawn mower blades lawn mower blades disc mower blades disc mower blade bolts disc mower parts

lilliston corp nsn parts 01 50 151 08 11 111 60d - Jul 13 2023

web cage code rfq 01 10 128 0110128 3750 00 591 1499 blade mower iii end item identification lilliston model 7 six mower general characteristics item description

**lilliston farm equipment for sale 1 25 of 48 listings** - Feb 25 2022

web just purchased a lilliston 7 six mower and was wondering where i can get part blades etc for this unit also is there a place where i could get a manual for the same

*mowing with my 1950's lilliston mower youtube* - May 31 2022

web dec 3 2013 we sell tractor parts we have the parts you need to repair your tractor the right parts our low prices and years of research make us your best choice when you

**visit our web site bighambrothers** - Nov 24 2021

[lilliston premium replacement industrial v belt vbelt 87 x 7 8](#) - Jun 12 2023

web may 26 2016 skip to main content lilliston premium replacement industrial v belt vbelt 87 x 7 8 50009469 this is a brand new premium replacement industrialv belt vbelt

**used lilliston 7 6 messicks** - May 11 2023

web aug 19 2019 lilliston 7 6 mower parts discussion in the implement alley forum at yesterday s tractors

**lilliston mower blades general chat red power magazine** - Oct 04 2022

web we sell tractor parts we have the parts you need to repair your tractor the right parts our low prices and years of research make us your best choice when you need parts

**shop our selection of lilliston parts and manuals jensales** - Aug 14 2023

web feel free to contact us about available parts or manuals for your lilliston if you are not finding it here choose your sub category or use the search products within this

*allpartsstore search results for lilliston* - Sep 03 2022

web i have 3 lilliston rotary cutters and need gearbox parts for them if anyone has any information on where to find parts for the warner auburn wa50 1 ge welcome please

*lilliston rotary mowers hay and forage equipment for sale* - Oct 24 2021

[lilliston replacement bearings](#) - Feb 08 2023

web sep 25 2013 woodie discussion starter may 4 2006 i have recently acquired a 7 1 2 foot lilliston rotary mower i finally located the fill hole for the gear box it appears i need to

**lilliston 7 6 mower parts yesterday s tractors** - Aug 02 2022

web 2 156 views 2 years ago adamstown mowing pasture with my lilliston 7 ft mower these are great mowers they can bush hog and make a beautiful finish cut most a

*lilliston rotary cutter gearbox parts yesterday s tractors* - Jul 01 2022

web lilliston finish cut mower model d 7 six tail wheel spindle axle pt 0108149 condition new open box new and unused old stock shows signs of handling and storage no