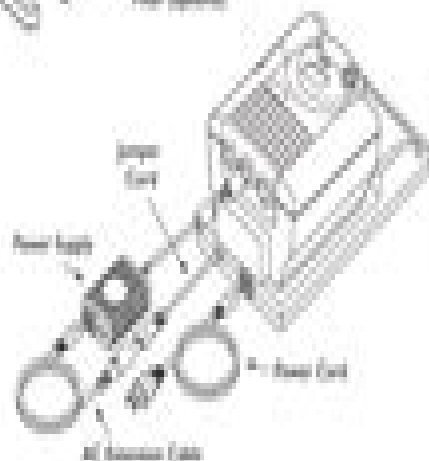
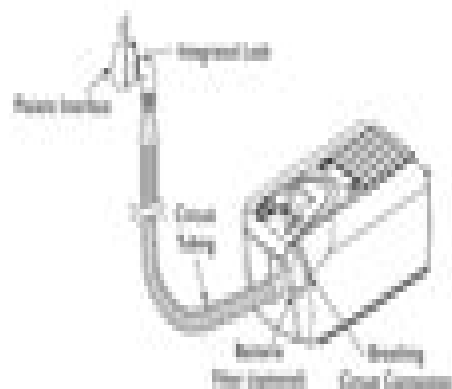


BiPAP Harmony



BiPAP Harmony (part of BiPAP Harmony)

USA
 1-800-368-5777
 1-800-368-5777

UK
 01753 461100

Spain, France, Italy
 01 50 00 00 00

Germany
 05 31 933300

South Korea
 01 20 00 000

BiPAP Harmony (part of BiPAP Harmony)

USA
 1-800-368-5777

UK
 01753 461100

Spain, France, Italy
 01 50 00 00 00

Germany
 05 31 933300

South Korea
 01 20 00 000

BiPAP Harmony (part of BiPAP Harmony)

USA
 1-800-368-5777

UK
 01753 461100

Spain, France, Italy
 01 50 00 00 00

Germany
 05 31 933300

South Korea
 01 20 00 000

BiPAP Harmony (part of BiPAP Harmony)

USA
 1-800-368-5777

UK
 01753 461100

Spain, France, Italy
 01 50 00 00 00

Germany
 05 31 933300

South Korea
 01 20 00 000

Respiratory Care Division, Philips North America, Inc., 2200 Central Expressway, Redwood City, CA 94063

Philips and Respironics (part of Philips)



© 2011 Philips Respironics. All rights reserved.
 Philips Respironics is a leader in providing respiratory care solutions for patients and healthcare providers. We are committed to providing the highest quality products and services to our customers. For more information, please visit our website at www.philips.com/respironics.



Quick set-up guide



Bipap Harmony Guide

**Mariann M. Harding, Jeffrey
Kwong, Debra Hagler, Courtney
Reinisch, Collin Bowman-Woodall**

Bipap Harmony Guide:

Mosby's Guide to Nursing Diagnosis, 6th Edition Revised Reprint with 2021-2023 NANDA-I® Updates - E-Book Gail B. Ladwig, Betty J. Ackley, Mary Beth Flynn Makic, 2021-11-10 *Mosby's Guide to Nursing Diagnosis 6th Edition Revised Reprint with 2021-2023 NANDA I Updates E Book* **Study Guide for Medical-Surgical Nursing - E-Book** Sharon L. Lewis, Judy Maltas, Shannon Ruff Dirksen, Linda Bucher, 2015-07-13 Prepare for success in the classroom Corresponding to the chapters in the 8th edition of Lewis market leading text *Medical Surgical Nursing Assessment and Management of Clinical Problems* this study guide offers a complete review of content and a wide range of activities to help you understand key nursing concepts Alternate item format questions reflect the most current NCLEX test plan To make studying easier answers for all exercises are included in the back of the book A wide variety of clinically relevant exercises and activities includes NCLEX examination style multiple choice questions prioritization and delegation questions case studies fill in the blank questions anatomy and physiology review clinical decision making activities and more Answers to all questions are included in the back of the book so you get immediate feedback as you study Additional alternate item format questions incorporating prioritization and delegation are included to better prepare you for the most current NCLEX exam New review activities are provided for the textbook's new chapter on sleep and sleep disorders Attractive two color design ties the study guide to the textbook **My Unexpected Journey** Pastor G. Lee McClanathan, 2014-11-03 *MY UNEXPECTED JOURNEY Beating the Odds to Become a Walking Miracle* By Pastor G Lee McClanathan Every person deals with unexpected journeys They are never welcome they just show up Such journeys can include the following issues health finances relationships employment retirement grief church Pastor Lee's unexpected journey was a health issue stroke heart attack seizures auto immune disorder He was not expected to live but did It meant loss of career and the beginning of a new normal In the process he developed a winning strategy He says he had to make some choices Would I GIVE UP or GROW UP Be BITTER or BETTER Choose to be a WHINER or a WINNER He believes that if he and most of the Bible characters we meet in God's Word can beat the odds then we can do it too Lee desires to be a difference maker believing God isn't finished with him yet Friend just as God has a unique purpose and plan for Lee He has a plan and purpose for you So with eyes wide open trust God for your unexpected journeys When you're down and out for the ten count He can RAISE YOU UP because our God is an AWESOME GOD You too can find victory even while walking in the valley of the shadow of death [Study Guide for Medical-Surgical Nursing](#) Susan A. Sandstrom, Sharon L. Lewis, Margaret McLean Heitkemper, RN Ph.D., Shannon Ruff Dirksen, 2013-12-02 Prepare for success in the classroom Corresponding to the chapters in the 9th edition of Lewis market leading *Medical Surgical Nursing* this study guide offers a complete review of content and a wide range of activities to help you understand key nursing concepts Alternate item format questions reflect the most current NCLEX test plan To make studying easier answers for all exercises are included in the back of the book A wide variety of clinically relevant exercises and activities

includes NCLEX examination style multiple choice questions prioritization and delegation questions case studies fill in the blank questions anatomy and physiology review critical thinking activities and more Answers to all questions are included in the back of the book giving you immediate feedback as you study Additional alternate item format questions incorporating prioritization and delegation are included to better prepare you for the most current NCLEX exam Attractive two color design ties the study guide to the textbook

Oh's Intensive Care Manual T. E. Oh, 2003 In the 5th Edition of this important text practical concise information on intensive care is presented in a clear and accessible style The text covers a broad spectrum of intensive care medicine with enough detail to eliminate the need to refer to a larger reference book This thoroughly revised and updated edition reflects the best and most current practices from leading international centres Presents completely redrawn illustrations for increased understanding consistency and accessibility Offers practical concise information on all aspects of intensive care presented in a clear and accessible style The fully updated contents reflect best practice from leading international centers This is a working textbook that covers the broad spectrum of intensive care medicine providing sufficient detail on each topic without the need to refer to large reference books Provides a new section on Shock with 5 new chapters Shock an overview Haemodynamic monitoring Monitoring Oxygenation Lactic Acidosis Multiple Organ Dysfunction Offers 13 new chapters Ethics in Intensive Care Common problems after ICU Clinical Information Systems Imaging the Chest Non Invasive Ventilation Abdominal Surgical Problems Pre existing Disease in Pregnancy Tropical Diseases Blast Injury Gun Shot Wounds Stabbing Biological Warfare Vasopressors Inotropes Vasodilators Paediatric Cardiopulmonary Resuscitation

Study Guide for Lewis' Medical-Surgical Nursing E-Book Mariann M. Harding, Jeffrey Kwong, Debra Hagler, Courtney Reinisch, Collin Bowman-Woodall, 2022-07-20 Get a leg up in your medical surgical nursing class and on the Next Generation NCLEX NGN Examination With chapters corresponding to those in the Lewis s Medical Surgical Nursing Assessment and Management of Clinical Problems 12th Edition textbook this study guide provides the review and practice you need to master the nurse s role in medical surgical care Questions reflect the most current NCLEX Exam test plan and include multiple choice matching fill in the blank prioritization delegation and alternate item formats along with new NGN style case studies and questions To reinforce your understanding answers to all questions are included in the back of the book Wide variety of clinically relevant exercises includes NCLEX Examination style items consisting of multiple choice fill in the blank matching and prioritization and delegation questions Case studies for dozens of diseases and disorders allow you to develop clinical judgment skills Alternate item format questions familiarize you with the types of questions seen on the NCLEX Exam Answers to all questions are included in the back of the book providing immediate feedback Attractive full color design makes learning easier NEW Updated content throughout corresponds to the updates in the Lewis s Medical Surgical Nursing 12th Edition textbook NEW Next Generation NCLEX Examination NGN style case studies and question types help you review and practice for the NGN

Manual of Critical Care Nursing Pamela L.

Swearingen, 2005 This essential resource provides quick access to the latest information for more than 75 clinical phenomena seen in critical care and is ideal for use in the clinical setting to plan nursing care Each disorder includes a brief description of pathophysiology assessment diagnostic testing collaborative management nursing diagnoses nursing interventions specific to those diagnoses and patient teaching and rehabilitation Its convenient outline format and portable size make it the perfect clinical companion Features a consistent easy to use outline format Portable size makes it a very practical clinical reference Covers more than 75 critical care conditions disorders Includes the latest NANDA nursing diagnoses Includes new sections that cover obstetric emergencies hypothyroidism bioterrorism and emerging infections including CNS infections such as the SARS West Nile Virus and the Avian Flu Contains a new appendix on pharmacology Features the most recent Nursing Intervention Classifications NICs

Companies and Their Brands, 1990 *Manual de cuidados intensivos pediátricos*

Francisco Ruza Tarrio, 2003 **Nursing Acutely Ill Adults** Philip Woodrow, 2015-08-14 This comprehensive and clinically focused textbook is designed for student and qualified nurses concerned with caring effectively for deteriorating and acutely ill adults outside of specialist intensive care units Divided into six sections the book begins with chapters on assessment and the deteriorating patient including monitoring vital signs and interpreting blood results This is followed by two sections focusing on breathing and cardiovascular problems respectively Section 4 explores issues around disability and impairment including chapters on neurology pain management psychological needs and thermoregulation The penultimate section looks at maintaining the internal environment with chapters on issues such as nutrition fluid management and infection control The text ends with a discussion of legal issues and accountability Nursing Acutely Ill Adults includes a full range of pedagogical features including sections identifying fundamental knowledge highlighting implications for practice giving further reading and resources using case scenarios to help readers relate theory to practice and providing time out exercises It is the ideal textbook for students taking modules in caring for critically ill adults and qualified nurses working with these patients

Unveiling the Energy of Verbal Beauty: An Psychological Sojourn through **Bipap Harmony Guide**

In some sort of inundated with screens and the cacophony of quick transmission, the profound energy and emotional resonance of verbal beauty often fade into obscurity, eclipsed by the regular assault of noise and distractions. However, located within the musical pages of **Bipap Harmony Guide**, a charming work of fictional beauty that pulses with organic feelings, lies an unforgettable journey waiting to be embarked upon. Composed by way of a virtuoso wordsmith, this magical opus courses readers on a psychological odyssey, lightly revealing the latent possible and profound impact stuck within the complicated internet of language. Within the heart-wrenching expanse of the evocative analysis, we can embark upon an introspective exploration of the book is main styles, dissect its charming publishing model, and immerse ourselves in the indelible impression it leaves upon the depths of readers souls.

https://stats.tinkerine.com/results/Resources/default.aspx/book_and_justice_redeemed_scott_pratt.pdf

Table of Contents Bipap Harmony Guide

1. Understanding the eBook Bipap Harmony Guide
 - The Rise of Digital Reading Bipap Harmony Guide
 - Advantages of eBooks Over Traditional Books
2. Identifying Bipap Harmony Guide
 - Exploring Different Genres
 - Considering Fiction vs. Non-Fiction
 - Determining Your Reading Goals
3. Choosing the Right eBook Platform
 - Popular eBook Platforms
 - Features to Look for in an Bipap Harmony Guide
 - User-Friendly Interface
4. Exploring eBook Recommendations from Bipap Harmony Guide
 - Personalized Recommendations

- Bipap Harmony Guide User Reviews and Ratings
- Bipap Harmony Guide and Bestseller Lists
- 5. Accessing Bipap Harmony Guide Free and Paid eBooks
 - Bipap Harmony Guide Public Domain eBooks
 - Bipap Harmony Guide eBook Subscription Services
 - Bipap Harmony Guide Budget-Friendly Options
- 6. Navigating Bipap Harmony Guide eBook Formats
 - ePub, PDF, MOBI, and More
 - Bipap Harmony Guide Compatibility with Devices
 - Bipap Harmony Guide Enhanced eBook Features
- 7. Enhancing Your Reading Experience
 - Adjustable Fonts and Text Sizes of Bipap Harmony Guide
 - Highlighting and Note-Taking Bipap Harmony Guide
 - Interactive Elements Bipap Harmony Guide
- 8. Staying Engaged with Bipap Harmony Guide
 - Joining Online Reading Communities
 - Participating in Virtual Book Clubs
 - Following Authors and Publishers Bipap Harmony Guide
- 9. Balancing eBooks and Physical Books Bipap Harmony Guide
 - Benefits of a Digital Library
 - Creating a Diverse Reading Collection Bipap Harmony Guide
- 10. Overcoming Reading Challenges
 - Dealing with Digital Eye Strain
 - Minimizing Distractions
 - Managing Screen Time
- 11. Cultivating a Reading Routine Bipap Harmony Guide
 - Setting Reading Goals Bipap Harmony Guide
 - Carving Out Dedicated Reading Time
- 12. Sourcing Reliable Information of Bipap Harmony Guide
 - Fact-Checking eBook Content of Bipap Harmony Guide

- Distinguishing Credible Sources
- 13. Promoting Lifelong Learning
 - Utilizing eBooks for Skill Development
 - Exploring Educational eBooks
- 14. Embracing eBook Trends
 - Integration of Multimedia Elements
 - Interactive and Gamified eBooks

Bipap Harmony Guide Introduction

In this digital age, the convenience of accessing information at our fingertips has become a necessity. Whether its research papers, eBooks, or user manuals, PDF files have become the preferred format for sharing and reading documents. However, the cost associated with purchasing PDF files can sometimes be a barrier for many individuals and organizations. Thankfully, there are numerous websites and platforms that allow users to download free PDF files legally. In this article, we will explore some of the best platforms to download free PDFs. One of the most popular platforms to download free PDF files is Project Gutenberg. This online library offers over 60,000 free eBooks that are in the public domain. From classic literature to historical documents, Project Gutenberg provides a wide range of PDF files that can be downloaded and enjoyed on various devices. The website is user-friendly and allows users to search for specific titles or browse through different categories. Another reliable platform for downloading Bipap Harmony Guide free PDF files is Open Library. With its vast collection of over 1 million eBooks, Open Library has something for every reader. The website offers a seamless experience by providing options to borrow or download PDF files. Users simply need to create a free account to access this treasure trove of knowledge. Open Library also allows users to contribute by uploading and sharing their own PDF files, making it a collaborative platform for book enthusiasts. For those interested in academic resources, there are websites dedicated to providing free PDFs of research papers and scientific articles. One such website is Academia.edu, which allows researchers and scholars to share their work with a global audience. Users can download PDF files of research papers, theses, and dissertations covering a wide range of subjects. Academia.edu also provides a platform for discussions and networking within the academic community. When it comes to downloading Bipap Harmony Guide free PDF files of magazines, brochures, and catalogs, Issuu is a popular choice. This digital publishing platform hosts a vast collection of publications from around the world. Users can search for specific titles or explore various categories and genres. Issuu offers a seamless reading experience with its user-friendly interface and allows users to download PDF files for offline reading. Apart from dedicated platforms, search engines also play a crucial role in finding free PDF files. Google, for instance, has an advanced search

feature that allows users to filter results by file type. By specifying the file type as "PDF," users can find websites that offer free PDF downloads on a specific topic. While downloading Bipap Harmony Guide free PDF files is convenient, it's important to note that copyright laws must be respected. Always ensure that the PDF files you download are legally available for free. Many authors and publishers voluntarily provide free PDF versions of their work, but it's essential to be cautious and verify the authenticity of the source before downloading Bipap Harmony Guide. In conclusion, the internet offers numerous platforms and websites that allow users to download free PDF files legally. Whether it's classic literature, research papers, or magazines, there is something for everyone. The platforms mentioned in this article, such as Project Gutenberg, Open Library, Academia.edu, and Issuu, provide access to a vast collection of PDF files. However, users should always be cautious and verify the legality of the source before downloading Bipap Harmony Guide any PDF files. With these platforms, the world of PDF downloads is just a click away.

FAQs About Bipap Harmony Guide Books

How do I know which eBook platform is the best for me? Finding the best eBook platform depends on your reading preferences and device compatibility. Research different platforms, read user reviews, and explore their features before making a choice. Are free eBooks of good quality? Yes, many reputable platforms offer high-quality free eBooks, including classics and public domain works. However, make sure to verify the source to ensure the eBook credibility. Can I read eBooks without an eReader? Absolutely! Most eBook platforms offer web-based readers or mobile apps that allow you to read eBooks on your computer, tablet, or smartphone. How do I avoid digital eye strain while reading eBooks? To prevent digital eye strain, take regular breaks, adjust the font size and background color, and ensure proper lighting while reading eBooks. What the advantage of interactive eBooks? Interactive eBooks incorporate multimedia elements, quizzes, and activities, enhancing the reader engagement and providing a more immersive learning experience. Bipap Harmony Guide is one of the best books in our library for free trial. We provide copy of Bipap Harmony Guide in digital format, so the resources that you find are reliable. There are also many eBooks related with Bipap Harmony Guide. Where to download Bipap Harmony Guide online for free? Are you looking for Bipap Harmony Guide PDF? This is definitely going to save you time and cash in something you should think about.

Find Bipap Harmony Guide :

[book and justice redeemed scott pratt](#)

book and warriors lost warrior manga ebook

[book law for authors](#)

[book of us a journal of your love story in 150 questions](#)

[book and disney bitch disneys animal kingdom ebook](#)

[book seven steps green door](#)

book and paper son jason buchholz

[book stores in miami](#)

book and burri inside out only interview

book online for free

book and highlander who loved me mckennas

book and healthy brain happy life everything

[books online free to read now](#)

[books for iphone free](#)

[books to read on line](#)

Bipap Harmony Guide :

quia wise certification practice questions - Dec 30 2022

web rags to riches answer questions in a quest for fame and fortune wise certification practice questions this activity will help you prepare for the wise financial management certification exam

the ultimate wise test review 11 9k plays quizizz - Sep 26 2022

web the ultimate wise test review quiz for 10th grade students find other quizzes for other and more on quizizz for free

[wise test practice flashcards quizlet](#) - Jun 23 2022

web wise test practice to qualify for a federal housing administration fha loan a person must generally a have at least a high school diploma b have one quarter of the cost of the home for a down payment c fulfill income guidelines d provide two individuals to co sign the loan click the card to flip c fulfill income guidelines

wise practice test credit 737 plays quizizz - Apr 21 2022

web wise practice test credit quiz for 9th grade students find other quizzes for other and more on quizizz for free

wise practice test answer key answers for 2023 exams - Aug 26 2022

web download wise practice test answer key filename speed downloads wise practice test answer key most popular 4249 kb s 9203 wise practice test answer key checked 400 kb s 3372 wise practice test answer key new 2300 kb s 11464 wise practice

test answer key added by request 4499 kb s 3982 wise practice exam

[quia wise practice test](#) - May 23 2022

web this quiz requires you to log in please enter your quia username and password

[wise financial literacy certification practice questions quizlet](#) - Oct 08 2023

web a have at least a high school diploma b have one quarter of the cost of the home for a down payment c fulfill income guidelines d provide two individuals to co sign the loan c fulfill income guidelines a high school student has begun to investigate the field of finance as a career choice

[*practice exams practice tests at certification questions com*](#) - Mar 21 2022

web aacn practice exams critical care nursing exam get dumps get pdf progressive care certified nursing get dumps get pdf aafm practice exams chartered trust estate planner ctep certification examination get dumps get pdf chartered wealth manager cwm certification level 1 examination

wise practice test flashcards quizlet - Jun 04 2023

web wise practice test flashcards quizlet social science economics finance wise practice test 4 2 69 reviews the difference between the budgeted amount and the actual amount that you spend click the card to flip budget variance click the card to flip 1 88 flashcards learn test match q chat created by cfp rsd teacher terms in this set 88

wwise 101 certification test 65 questions with 100 correct answers - Feb 17 2022

web apr 14 2023 exam elaborations wwise 101 certification test 65 questions with 100 correct answers verified latest update

wise financial literacy test practice test 2k plays quizizz - Oct 28 2022

web classes wise financial literacy test practice test quiz for 11th grade students find other quizzes for other and more on quizizz for free

[*wise 50 s practice test 1 flashcards quizlet*](#) - Jan 31 2023

web wise practice exam answers 30 terms hasi834 economic and personal finance wise test 55 terms clarinet216 solubility rules ap chemistry 24 terms mooshroo0m personal finance wise test questions 61 terms ashleybannerton123 recent flashcard sets vocabulaire jeu compréhension 13 terms dianaepc teacher outsiders

quia wise practice certification test - Jul 05 2023

web wise practice certification test this is a practice test for the financial literacy test

[*wise financial literacy practice test flashcards quizlet*](#) - Mar 01 2023

web wise financial literacy practice test 3 3 8 reviews if a person makes a deposit of 10 000 or more into a bank account the bank must notify the click the card to flip a us treasury department in order to track large deposits the federal government

requires that deposits of 10 000 or more be reported to the treasury department

wise certification study guide flashcards quizlet - Aug 06 2023

web 1 40 flashcards learn test match q chat created by stella lee640 terms in this set 40 if a fire happens to someone s house what type of insurance will pay for the damage most likely home insurance if a corporation was sued and lost a major lawsuit what will happen to the price of their stock price of stock increases

wise practice exam answers flashcards quizlet - Apr 02 2023

web study with quizlet and memorize flashcards containing terms like if you have caused an accident which type of automobile insurance would cover damage to your own car matt and eric are young men each has a good credit history they work at the same company and make approximately the same salary matt has borrowed 6 000 to take a foreign

quia wise certification practice questions - Nov 28 2022

web rags to riches answer questions in a quest for fame and fortune wise certification practice questions this activity will help you prepare for the wise financial management certification exam

quia wise practice questions copy - May 03 2023

web this is a 50 question practice test for the wise financial literacy test it is a timed test this quiz is timed the total time allowed for this quiz is 50 minutes please enter your name first name last name

wise certification test questions with correct answers - Sep 07 2023

web jul 10 2023 1 exam elaborations wise certification test questions with correct answers 2 exam elaborations wise certification study guide questions with correct answers 3 exam elaborations wise financial literacy certification practice questions with correct answers 4 exam elaborations wise certification questions with correct

practice certification test question 1 question 2 schoolnotes - Jul 25 2022

web practice certification test home question 1 correct answer reason question 2 correct answer reason question 3 correct answer reason question 4 correct answer reason question 5 correct answer reason b most of the adverse information on a credit report appears for 7 years after a declared bankruptcy the limit is 10 years

wein verstehen und genießen wilhelm flitsch google books - Feb 08 2023

web als selbständiger berater kursleiter und referent an anlässen für einsteiger die weinkenner werden möchten und für kenner die sich gerne über das thema

wein verstehen winzer talk youtube - Oct 24 2021

web mit dem wissen des naturwissenschaftlers und der begeisterung des weinliebhabers zeigt er wie aus trauben und hefe wein wird welche möglichkeiten die moderne

wie man wein besser versteht und bewusster genießt 2 - Feb 25 2022

web denn wein sehen riechen schmecken und fühlen vereint sich bei christian weissenstein mit wein erleben verstehen und genießen eine kostbare verbindung die sinne und

[wein verstehen winzer talk podcast wein blog mit](#) - May 11 2023

web ein eigenes kapitel gilt der wirkung des weins auf den menschlichen organismus und seiner langen geschichte als heilmittel damit ist das buch eine ausgezeichnete

[wein verstehen und genießen springerlink](#) - Apr 10 2023

web apr 9 2013 mit dem wissen des naturwissenschaftlers und der begeisterung des weinliebhabers zeigt er wie aus trauben und hefe wein wird welche möglichkeiten die

[wein verstehen und genießen flitsch wilhelm amazon de](#) - Aug 22 2021

[wein verstehen und geniessen](#) - Aug 14 2023

web probieren beschreiben verstehen geniessen wein das sind in flaschen gefüllte emotionen es geht auf eine spannende entdeckungsreise durch die faszinierende welt

[wein kennenlernen und genießen alles was sie über wein](#) - Mar 29 2022

web sep 19 2022 1 der süßegrad eines weins traubensaft ist von natur aus süß während der gärung ernähren sich die hefen jedoch von dem zucker im saft und wandeln ihn in

[wein verstehen und genießen ebook amazon de](#) - Jul 01 2022

web wein verstehen und geniessen smtliche werke feb 22 2021 dr b bolzanos erbauungsreden an die akademische jugend zweite verbesserte vermehrte ausgabe

[wein verstehen und geniessen by wilhelm flitsch alibris](#) - Aug 02 2022

web wein verstehen und genießen ebook flitsch wilhelm amazon de bücher zum hauptinhalt wechseln de hallo lieferadresse wählen kindle shop wähle die kategorie

wein verstehen und genießen wilhelm flitsch google books - Mar 09 2023

web damit ein guter wein entsteht muß nicht nur das wetter stimmen wilhelm flitsch führt in diesem buch durch die abläufe der modernen weinbereitung und erklärt welchen sinn

wein verstehen und genießen edition 2 by wilhelm flitsch - Nov 05 2022

web wein verstehen und genießen german edition finden sie alle bücher von flitsch wilhelm bei der büchersuchmaschine eurobuch com können sie antiquarische und

weinseminar weinprobe in münchen einfach geniessen - Nov 24 2021

web 1 hour ago wenn die ki am weinglas schnüffelt künstliche intelligenz übernimmt mühsame kopf und fleißarbeit doch

das sinnliche ist ihr verschlossen noch ein
künstliche intelligenz wein und digitale nase wenn die - Sep 22 2021

home weinkaräter - Jan 27 2022

web wein verstehen und genießen von wilhelm flitsch und eine große auswahl ähnlicher bücher kunst und sammlerstücke erhältlich auf abebooks de

3540662731 wein verstehen und genießen wilhelm flitsch - Apr 29 2022

web wein kennenlernen und genießen alles was sie über wein wissen sollten wolfgang hubert isbn 9783934058279 kostenloser versand für alle bücher mit versand und

bio wein verstehen geniessen - Jan 07 2023

web ein eigenes kapitel gilt der wirkung des weins auf den menschlichen organismus und seiner langen geschichte als heilmittel damit ist das buch eine ausgezeichnete

wein verstehen und genießen flitsch wilhelm amazon de - Jul 13 2023

web verstehen und genießen von wilhelm flitsch greifen eine gelungenere zusammenstellung von fakten rund um das was die naturwissenschaftler über den

354057087x wein verstehen und genießen german edition - Oct 04 2022

web apr 13 2021 in meinem blog geht es drum wein besser zu verstehen lernen ihn zu beschreiben und so bewusster zu geniessen hier bist du genau richtig um mitreden

wein verstehen und geniessen - May 31 2022

web wein verstehen und genießen finden sie alle bücher von wilhelm flitsch bei der büchersuchmaschine eurobuch com können sie antiquarische und neubücher

wein verstehen genießen von flitsch wilhelm abebooks - Dec 26 2021

web Grundlagen Weinseminar 1 Wein verstehen 85 pro person lernen sie bei dieser Weinprobe in München wie sie Wein richtig begutachten beschnuppern probieren und

wein verstehen und geniessen wilhelm flitsch google books - Dec 06 2022

web damit ein guter Wein entsteht muß nicht nur das Wetter stimmen Wilhelm Flitsch führt in diesem Buch durch die Abläufe der modernen Wein verstehen und genießen

wein verstehen und genießen springerlink - Jun 12 2023

web about this book damit ein guter Wein entsteht muß nicht nur das Wetter stimmen Wilhelm Flitsch führt in diesem Buch durch die Abläufe der modernen Weinbereitung und erklärt

weinsprache leicht gelernt wein verstehen geniessen - Sep 03 2022

web damit ein guter wein entsteht muss nicht nur das wetter stimmen wilhelm flitsch fuhr in diesem buch durch die ablaufe der modernen weinbereitung und erklart welche folge

table tennis tips from a world champion pdf - May 25 2022

web table tennis tips from a world champion is a practical training book for successful table tennis the aim is not to copy werner schlager as a player but to use his tips to

table tennis tips from a world champion google books - Sep 09 2023

web jan 10 2011 table tennis tips from a world champion is a practical training book for successful table tennis the aim is not to copy werner schlager as a player but to

table tennis tips from a world champion amazon com - Oct 10 2023

web jan 1 2011 table tennis tips from a world champion is a practical training book for successful table tennis the aim is not to copy werner schlager as a player but to use his tips to find your own way to use them successfully numerous picture series explain

guide to the world table tennis championships racket insight - Apr 23 2022

web table tennis tips from a world championbook detailfile size 15260 kb print length 180 pages publisher meyer meyer sport 1 edition january 10 2011

10 technical tactical tips for table tennis players - Jun 06 2023

web feb 3 2011 table tennis tips from a world championa is a practical training book for successful table tennis the aim is not to copy werner schlager as a player but to use

[table tennis tips from a world champion kindle edition](#) - Apr 11 2021

table tennis tips from a world champion worldcat org - Jun 25 2022

web the world table tennis championships were introduced in 1926 and they were played once a year up until 1957 all 7 events were played every year the 5 individual events

[table tennis tips from a world champion paperback](#) - Nov 30 2022

web table tennis tips from a world championa is a practical training book for successful table tennis the aim is not to copy werner schlager as a player but to use his tips to

[table tennis tips from a world champion worldcat org](#) - Mar 03 2023

web table tennis tips from a world champion ebook groß bernd ulrich schlager werner amazon co uk books

the tennis escape artists who lifted the trophies the new - Jun 13 2021

web jan 10 2011 buy table tennis tips from a world champion read kindle store reviews amazon com

table tennis tips from a world champion kindle edition - Jan 01 2023

web sep 26 2016 and if you are looking for some more table tennis tips from professional players and coaches please check out my page 1001 table tennis tips the following

tips and tricks to become a better player cheats for tennis - Sep 16 2021

web 1 day ago retiring ol reign star and two time women s world cup winner megan rapinoe said on thursday that her final match in saturday s nswl championship

12 physical training tips for table tennis players by - Apr 04 2023

web feb 1 2011 table tennis tips from a world champion is a practical training book for successful table tennis the aim is not to copy werner schlager as a player

pdf table tennis tips from a world champion yumpu - Mar 23 2022

web jan 8 2017 stay as close to the table as you can follow the ball with your eyes all the way to the bat don t expect the trajectory as a certain stroke always should have

tyson fury was humiliated by francis ngannou a table tennis - Nov 18 2021

web aug 13 2020 choose a defensive character if you are new to tennis world tour choose a defensive character to start goffin is a good choice as he handles like you would think

world cup 2023 points table england climb up to 7th spot - Oct 18 2021

web nov 6 2023 bangladesh ended sri lanka s dreams of reaching the cricket world cup 2023 semifinals with a hard fought three wicket win in a match filled with controversies

table tennis bernd ulrich gross werner schlager google - Aug 28 2022

web table tennis tips from a world championa is a practical training book for successful table tennis the aim is not to copy werner schlager as a player but to use his tips to

wtt champions frankfurt 2023 celebrating table tennis - Dec 20 2021

web 2 days ago world cup 2023 points table after five straight losses defending cricket world cup champions england finally returned to winning ways with a positive result

e book download table tennis tips from a world champion - Feb 19 2022

web oct 27 2023 the anticipation is palpable in the global table tennis community as wtt champions frankfurt 2023 unfolds over eight action packed days from october 29 to

1001 table tennis tips - Jul 27 2022

web table tennis tips from a world champion is a practical training book for successful table tennis the aim is not to copy

werner schlager as a player but to use his tips to
it s a four way battle for the last two champions trophy spots - May 13 2021

megan rapinoe says nwsf final perfect way to go out espn - Jul 15 2021

web nov 7 2023 as we approach the last few games of the league stage of the 2023 odi world cup the primary focus is obviously on the top four slots but that s for the top six

table tennis tips from a world champion ebook barnes noble - Feb 02 2023

web table tennis tips from a world champion gross bernd ulrich amazon com au books

how to win in table tennis medium - Jan 21 2022

web oct 30 2023 the table tennis champion of the world as ngannou himself wrote on instagram after this crossover contest even andy murray had to chime in as fury s

9 serve return tips for table tennis players by werner - Oct 30 2022

web table tennis tips from a world championa is a practical training book for successful table tennis the aim is not to copy werner schlager as a player but to use his tips to

table tennis tips from a world champion semantic scholar - Sep 28 2022

web find table tennis tips from top table tennis players coaches and sport scientists that have agreed to share their knowledge with expert table tennis werner schlager is a

table tennis tips from a world champion goodreads - Jul 07 2023

web apr 15 2011 table tennis tips from a world champion is a practical training book for successful table tennis the aim is not to copy werner schlager as a player but to use

table tennis tips from a world champion gross bernd ulrich - Aug 08 2023

web table tennis tips from a world champion by gross bernd ulrich 1957 publication date 2011 topics table tennis publisher maidenhead meyer meyer sport uk collection

cricket world cup 2023 points table bangladesh end sri - Aug 16 2021

web oct 27 2023 cameron spencer getty images at the 2021 italian open iga swiatek was down two match points to barbora krecjikova in the third round but managed to escape

table tennis tips from a world champion amazon co uk - May 05 2023

web table tennis tips from a world champion is a practical training book for successful table tennis the aim is not to copy werner schlager as a player but to use his tips to