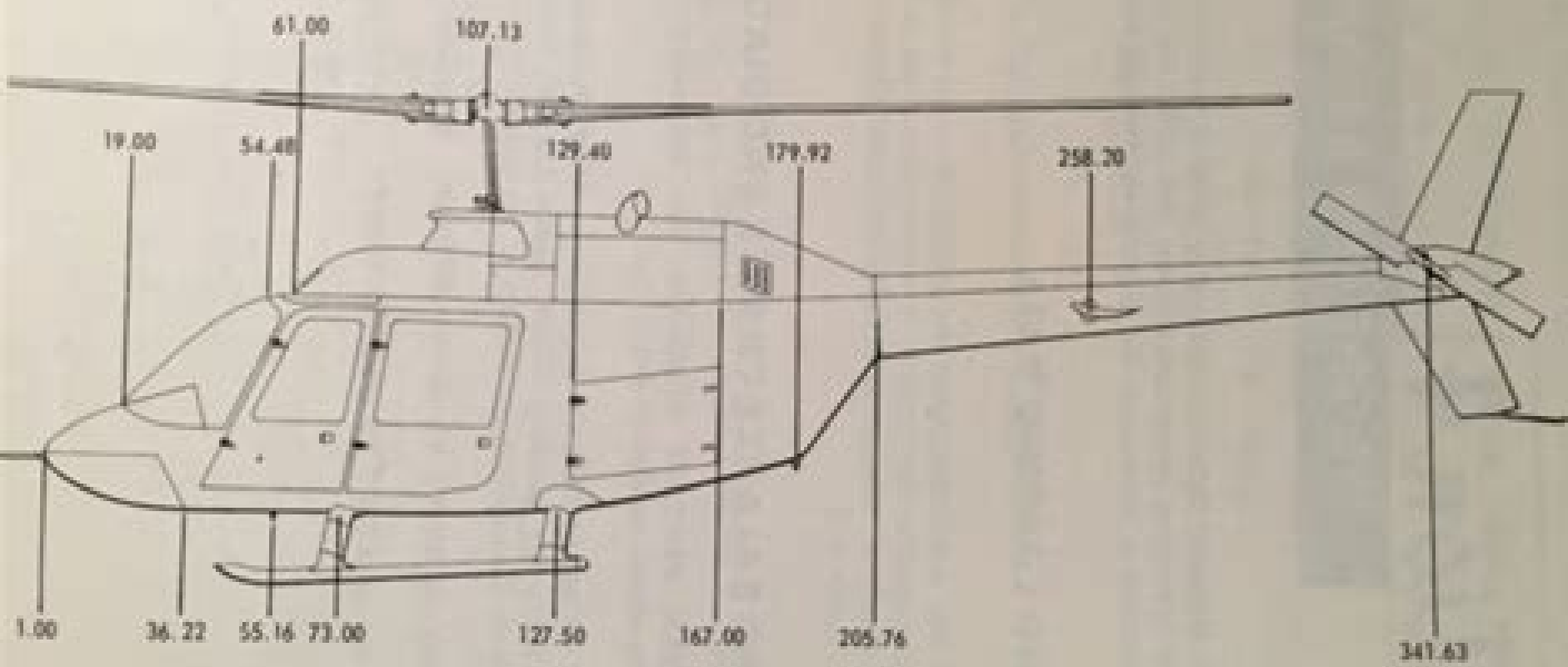


FRONT SEAT STATION 65 - LEVER

WEAR " " 104
FUEL " " 116
OIL " " 179



206900-599

Bell 206b Flight Manual

Scott C. Dulebohn



Bell 206b Flight Manual:

Bell 206B-1 Helicopter Flight Manual ,1974 **Bell Jet Ranger-II, Model 206B** Bell Helicopter Textron,Canada.
Transport Canada. Aviation. Aircraft Services Training,1993 **National Transportation Safety Board Decisions** United
States. National Transportation Safety Board, [Bell JetRanger-II Model 206B Flight Manual](#) ,1987 *Federal Register*
,2013-06 **FAA General Aviation News** ,1978 **Cyclic and Collective** Shawn Coyle,2009 Possibly the most complete
book written to date on helicopters and helicopter flying Covers subjects not covered by other manuals such as turbine
engine performance flight manuals automatic flight controls legal aspects introductory stability and control and multi
engine helicopters *Uva's Rigging Guide for Studio and Location* Michael Uva,Sabrina Uva,2013-08-29 Readers of Mike
Uva s GRIP BOOK who are interested in more detailed information on the work of the grip department will welcome his new
rigging manual clearly detailing all the ways to mount cameras and lights both on a set as well as on location The book
covers the latest truss systems rigging equipment and portable stages as well as lifts boom arms and camera mounts for
every type of moving vehicle The book is not limited to equipment specifications however Uva offers tips and tricks
throughout in order to make the process of setting up and shooting safer and more efficient Grips often need to invent
makeshift solutions in a short time and Uva shares many such devices developed over his years in the film and TV industry
This book will help grips and key grips move on to the bigger feature projects and commercials that require this equipment It
will also be useful for directors of photography and producers in pre planning the required equipment for specific shots
General Aviation Airworthiness Alerts ,1983 [Louisiana Administrative Code](#) Charlotte Corneil,1984

If you ally compulsion such a referred **Bell 206b Flight Manual** ebook that will provide you worth, get the totally best seller from us currently from several preferred authors. If you desire to humorous books, lots of novels, tale, jokes, and more fictions collections are after that launched, from best seller to one of the most current released.

You may not be perplexed to enjoy every books collections Bell 206b Flight Manual that we will categorically offer. It is not something like the costs. Its about what you obsession currently. This Bell 206b Flight Manual, as one of the most operating sellers here will utterly be along with the best options to review.

https://stats.tinkerine.com/data/browse/Download_PDFS/Brannigan_Building_Construction_Study_Guide.pdf

Table of Contents Bell 206b Flight Manual

1. Understanding the eBook Bell 206b Flight Manual
 - The Rise of Digital Reading Bell 206b Flight Manual
 - Advantages of eBooks Over Traditional Books
2. Identifying Bell 206b Flight Manual
 - Exploring Different Genres
 - Considering Fiction vs. Non-Fiction
 - Determining Your Reading Goals
3. Choosing the Right eBook Platform
 - Popular eBook Platforms
 - Features to Look for in an Bell 206b Flight Manual
 - User-Friendly Interface
4. Exploring eBook Recommendations from Bell 206b Flight Manual
 - Personalized Recommendations
 - Bell 206b Flight Manual User Reviews and Ratings
 - Bell 206b Flight Manual and Bestseller Lists
5. Accessing Bell 206b Flight Manual Free and Paid eBooks

- Bell 206b Flight Manual Public Domain eBooks
 - Bell 206b Flight Manual eBook Subscription Services
 - Bell 206b Flight Manual Budget-Friendly Options
6. Navigating Bell 206b Flight Manual eBook Formats
- ePub, PDF, MOBI, and More
 - Bell 206b Flight Manual Compatibility with Devices
 - Bell 206b Flight Manual Enhanced eBook Features
7. Enhancing Your Reading Experience
- Adjustable Fonts and Text Sizes of Bell 206b Flight Manual
 - Highlighting and Note-Taking Bell 206b Flight Manual
 - Interactive Elements Bell 206b Flight Manual
8. Staying Engaged with Bell 206b Flight Manual
- Joining Online Reading Communities
 - Participating in Virtual Book Clubs
 - Following Authors and Publishers Bell 206b Flight Manual
9. Balancing eBooks and Physical Books Bell 206b Flight Manual
- Benefits of a Digital Library
 - Creating a Diverse Reading Collection Bell 206b Flight Manual
10. Overcoming Reading Challenges
- Dealing with Digital Eye Strain
 - Minimizing Distractions
 - Managing Screen Time
11. Cultivating a Reading Routine Bell 206b Flight Manual
- Setting Reading Goals Bell 206b Flight Manual
 - Carving Out Dedicated Reading Time
12. Sourcing Reliable Information of Bell 206b Flight Manual
- Fact-Checking eBook Content of Bell 206b Flight Manual
 - Distinguishing Credible Sources
13. Promoting Lifelong Learning
- Utilizing eBooks for Skill Development

- Exploring Educational eBooks
14. Embracing eBook Trends
- Integration of Multimedia Elements
 - Interactive and Gamified eBooks

Bell 206b Flight Manual Introduction

In today's digital age, the availability of Bell 206b Flight Manual books and manuals for download has revolutionized the way we access information. Gone are the days of physically flipping through pages and carrying heavy textbooks or manuals. With just a few clicks, we can now access a wealth of knowledge from the comfort of our own homes or on the go. This article will explore the advantages of Bell 206b Flight Manual books and manuals for download, along with some popular platforms that offer these resources. One of the significant advantages of Bell 206b Flight Manual books and manuals for download is the cost-saving aspect. Traditional books and manuals can be costly, especially if you need to purchase several of them for educational or professional purposes. By accessing Bell 206b Flight Manual versions, you eliminate the need to spend money on physical copies. This not only saves you money but also reduces the environmental impact associated with book production and transportation. Furthermore, Bell 206b Flight Manual books and manuals for download are incredibly convenient. With just a computer or smartphone and an internet connection, you can access a vast library of resources on any subject imaginable. Whether you're a student looking for textbooks, a professional seeking industry-specific manuals, or someone interested in self-improvement, these digital resources provide an efficient and accessible means of acquiring knowledge. Moreover, PDF books and manuals offer a range of benefits compared to other digital formats. PDF files are designed to retain their formatting regardless of the device used to open them. This ensures that the content appears exactly as intended by the author, with no loss of formatting or missing graphics. Additionally, PDF files can be easily annotated, bookmarked, and searched for specific terms, making them highly practical for studying or referencing. When it comes to accessing Bell 206b Flight Manual books and manuals, several platforms offer an extensive collection of resources. One such platform is Project Gutenberg, a nonprofit organization that provides over 60,000 free eBooks. These books are primarily in the public domain, meaning they can be freely distributed and downloaded. Project Gutenberg offers a wide range of classic literature, making it an excellent resource for literature enthusiasts. Another popular platform for Bell 206b Flight Manual books and manuals is Open Library. Open Library is an initiative of the Internet Archive, a non-profit organization dedicated to digitizing cultural artifacts and making them accessible to the public. Open Library hosts millions of books, including both public domain works and contemporary titles. It also allows users to borrow digital copies of certain books for a limited period, similar to a library lending system. Additionally, many universities and educational institutions have their own digital

libraries that provide free access to PDF books and manuals. These libraries often offer academic texts, research papers, and technical manuals, making them invaluable resources for students and researchers. Some notable examples include MIT OpenCourseWare, which offers free access to course materials from the Massachusetts Institute of Technology, and the Digital Public Library of America, which provides a vast collection of digitized books and historical documents. In conclusion, Bell 206b Flight Manual books and manuals for download have transformed the way we access information. They provide a cost-effective and convenient means of acquiring knowledge, offering the ability to access a vast library of resources at our fingertips. With platforms like Project Gutenberg, Open Library, and various digital libraries offered by educational institutions, we have access to an ever-expanding collection of books and manuals. Whether for educational, professional, or personal purposes, these digital resources serve as valuable tools for continuous learning and self-improvement. So why not take advantage of the vast world of Bell 206b Flight Manual books and manuals for download and embark on your journey of knowledge?

FAQs About Bell 206b Flight Manual Books

How do I know which eBook platform is the best for me? Finding the best eBook platform depends on your reading preferences and device compatibility. Research different platforms, read user reviews, and explore their features before making a choice. Are free eBooks of good quality? Yes, many reputable platforms offer high-quality free eBooks, including classics and public domain works. However, make sure to verify the source to ensure the eBook credibility. Can I read eBooks without an eReader? Absolutely! Most eBook platforms offer webbased readers or mobile apps that allow you to read eBooks on your computer, tablet, or smartphone. How do I avoid digital eye strain while reading eBooks? To prevent digital eye strain, take regular breaks, adjust the font size and background color, and ensure proper lighting while reading eBooks. What the advantage of interactive eBooks? Interactive eBooks incorporate multimedia elements, quizzes, and activities, enhancing the reader engagement and providing a more immersive learning experience. Bell 206b Flight Manual is one of the best book in our library for free trial. We provide copy of Bell 206b Flight Manual in digital format, so the resources that you find are reliable. There are also many Ebooks of related with Bell 206b Flight Manual. Where to download Bell 206b Flight Manual online for free? Are you looking for Bell 206b Flight Manual PDF? This is definitely going to save you time and cash in something you should think about. If you trying to find then search around for online. Without a doubt there are numerous these available and many of them have the freedom. However without doubt you receive whatever you purchase. An alternate way to get ideas is always to check another Bell 206b Flight Manual. This method for see exactly what may be included and adopt these ideas to your book. This site will almost certainly help you save time and effort, money and stress. If

you are looking for free books then you really should consider finding to assist you try this. Several of Bell 206b Flight Manual are for sale to free while some are payable. If you arent sure if the books you would like to download works with for usage along with your computer, it is possible to download free trials. The free guides make it easy for someone to free access online library for download books to your device. You can get free download on free trial for lots of books categories. Our library is the biggest of these that have literally hundreds of thousands of different products categories represented. You will also see that there are specific sites catered to different product types or categories, brands or niches related with Bell 206b Flight Manual. So depending on what exactly you are searching, you will be able to choose e books to suit your own need. Need to access completely for Campbell Biology Seventh Edition book? Access Ebook without any digging. And by having access to our ebook online or by storing it on your computer, you have convenient answers with Bell 206b Flight Manual To get started finding Bell 206b Flight Manual, you are right to find our website which has a comprehensive collection of books online. Our library is the biggest of these that have literally hundreds of thousands of different products represented. You will also see that there are specific sites catered to different categories or niches related with Bell 206b Flight Manual So depending on what exactly you are searching, you will be able to choose ebook to suit your own need. Thank you for reading Bell 206b Flight Manual. Maybe you have knowledge that, people have search numerous times for their favorite readings like this Bell 206b Flight Manual, but end up in harmful downloads. Rather than reading a good book with a cup of coffee in the afternoon, instead they juggled with some harmful bugs inside their laptop. Bell 206b Flight Manual is available in our book collection an online access to it is set as public so you can download it instantly. Our digital library spans in multiple locations, allowing you to get the most less latency time to download any of our books like this one. Merely said, Bell 206b Flight Manual is universally compatible with any devices to read.

Find Bell 206b Flight Manual :

[brannigan building construction study guide](#)

[boven de geluidsgrens charles yeager testpiloot van de snelste vliegtuigen](#)

[break me in dark days ranch 1 siren publishing menage amour](#)

boundaries a casebook in environmental ethics

bowflex sears user guide

[branch 3 field rep study guide](#)

braun tassimo user manual

bradshaw guide to railways

[boxster 986 service manual](#)

bowflex extreme 2 manual

boys will classic poetry

br ckenkurs controlling vorlesungsbeginn wissen sollten

~~brazen the gilded series~~

~~box charlotte l r kane~~

bow ties a practical guide mens style series volume 2

Bell 206b Flight Manual :

ab urbe condita wktionary - Nov 05 2022

web bedeutungen 1 ab dem zeitpunkt der stadtgründung seit gründung der stadt rom 753 vor christus von historikern des mittelalters zur datierung benutzt 2 redensartlich

ab urbe condita liber iii romische geschichte 3 b pdf - Mar 29 2022

web ab urbe condita liber iii romische geschichte 3 b 2 4 downloaded from uniport edu ng on september 8 2023 by guest
functionalizes these themes as a medium for

ab urbe condita liber iii römische geschichte 3 buch lat dt - Jan 27 2022

web may 29th 2020 hier soll eine einzige drachen geschichte philologisch und buchgeschichtlich vertieft werden romische historie uß tito livio gezogen deshalb ab

ab urbe condita liber iii romische geschichte 3 b - Apr 29 2022

web ab urbe condita liber iii romische geschichte 3 b ab urbe condita liber iii the first five books of livy with english explanatory notes and examination questions by d

ab urbe condita liber iii romische geschichte 3 b pdf - Oct 24 2021

web ab urbe condita liber iii romische geschichte 3 b 2 6 downloaded from uniport edu ng on august 29 2023 by guest
punischen kriege 264 202 v chr davon 21 30 der

ab urbe condita liber iii römische studibuch - Mar 09 2023

web ab urbe condita liber iii römische geschichte 3 buch von livius ab urbe condita liber iii römische geschichte 3 buch von livius klimaneutrales unternehmen faire

ab urbe condita liber iii romische geschichte 3 b pdf - Jul 01 2022

web mar 5 2023 ab urbe condita liber iii romische geschichte 3 b 1 5 downloaded from uniport edu ng on march 5 2023 by guest
in some cases you likewise get not

ab urbe condita liber iii römische geschichte 3 buch 2033 - May 11 2023

web ab urbe condita liber iii römische geschichte 3 buch 2033 isbn 10 3150020336 isbn 13 9783150020333 softcover

[ab urbe condita liber iii romische geschichte 3 b analytics](#) - Nov 24 2021

web ab urbe condita liber iii romische geschichte 3 b 1 ab urbe condita liber iii romische geschichte 3 b ab urbe condita liber iii romische geschichte 3 b

ab urbe condita liber iii romische geschichte 3 b 2023 - May 31 2022

web ab urbe condita liber iii romische geschichte 3 b this is likewise one of the factors by obtaining the soft documents of this ab urbe condita liber iii romische geschichte 3

[ab urbe condita wikipedia](#) - Jan 07 2023

web l espressione latina ab urbe condita si riferisce a un sistema di calcolo degli anni che prese piede tra i romani in cui gli anni venivano computati a partire dal 753 a c la data che

ab urbe condita liber iii römische geschichte 3 buch lat dt - Jun 12 2023

web ab urbe condita liber iii römische geschichte 3 buch lat dt reclams universal bibliothek livius isbn 9783150020333 kostenloser versand für alle bücher mit

[ab urbe condita liber iii romische geschichte 3 b pdf ftp](#) - Aug 14 2023

web ab urbe condita liber iii ab urbe condita liber iii politics patriotism and language titi livi ab urbe condita liber i the law of obligations ab urbe condita liber iii

[ab urbe condita liber iii romische geschichte 3 b copy](#) - Feb 25 2022

web ab urbe condita liber iii romische geschichte 3 b getting the books ab urbe condita liber iii romische geschichte 3 b now is not type of inspiring means you could not

ab urbe condita chronologie wikipedia - Feb 08 2023

web a u c ist die abkürzung für ab urbe condita oder auch für anno urbis conditæ dabei handelt es sich um die bezugsangabe für eine jahreszählung sie wurde von den

ab urbe condita liber iii römische geschichte 3 buch lat dt - Apr 10 2023

web ab urbe condita liber iii römische geschichte 3 buch lat dt reclams universal bibliothek 1988 finden sie alle bücher von livius bei der büchersuchmaschine

ab urbe condita liber iii romische geschichte 3 b analytics - Dec 26 2021

web ab urbe condita liber iii romische geschichte 3 b the first five books of livy with english explanatory notes and examination questions by d b hickie the library and

[ab urbe condita wikipedia](#) - Dec 06 2022

web ab urbe condita lat von gründung der stadt an gemeint ist die stadt rom steht für ab urbe condita chronologie die

römische jahreszählung ab urbe condita

[ab urbe condita livius wikipedia](#) - Oct 04 2022

web ab urbe condita ist das geschichtswerk des römischen historikers titus livius der rhetorisch geschulte autor lebte zur zeit des kaisers augustus er erzählt in seinem

ab urbe condita liber iii romische geschichte 3 b pdf - Aug 02 2022

web livius verfasste mit seinem werk ab urbe condita libri cxlii von der gründung der stadt an 142 bücher eine umfassende römische geschichte von den anfängen mit der

ab urbe condita liber iii romische geschichte 3 b book - Jul 13 2023

web excerpt from titi livi ab urbe condita liber iii für den schulgebrauch t quindi t quintius capi tolinus barbatus war konsul 471 468 465 446 443 439 in seinem

ab urbe condita liber iii romische geschichte 3 b 2023 - Sep 03 2022

web right here we have countless book ab urbe condita liber iii romische geschichte 3 b and collections to check out we additionally present variant types and afterward type of

about naoto fukasawa design - Jul 14 2023

web embodiment naoto fukasawa phaidon press 2019 wallpaper design awards best meals on wheels jia monolithic cookware 2018 isamu noguchi award 2015 good design award gold hitachi building systems human friendly concept model hf 1

elevator 2014 good design award gold muji consumer electronics series for

naoto fukasawa embodiment design amazon com tr - Feb 09 2023

web featuring more than 100 of his latest designs including furniture phones watches fashion luggage and accessories naoto fukasawa embodiment perfectly captures fukasawa s perspective on the dynamic interplay between people places and things

industrial designer naoto fukasawa on his creative process - Apr 30 2022

web march 19 2018 industrial designer naoto fukasawa on his creative process fukasawa who recently won the isamu

noguchi award discusses the idea of embodiment in this excerpt from his forthcoming book from phaidon by naoto fukasawa

fukasawa s hut design for muji japan 2017 photo kentauros yasunaga

embodiment design store phaidon - Feb 26 2022

web featuring more than 100 of his latest designs including furniture phones watches fashion luggage and accessories naoto fukasawa embodiment perfectly captures fukasawa s perspective on the dynamic interplay between people places and things

naoto fukasawa embodiment b b italia amazon com - Oct 05 2022

web mar 22 2018 featuring more than 100 of his latest designs including furniture phones watches fashion luggage and accessories naoto fukasawa embodiment perfectly captures fukasawa s perspective on the dynamic

naoto fukasawa embodiment naoto fukasawa design - Apr 11 2023

web apr 1 2018 naoto fukasawa embodiment april 1st 2018 a collection of naoto fukasawa s works was released by british publishing house phaidon this is the second collection of his works published by phaidon the first being naoto fukasawa published in 2007

naoto fukasawa embodiment gessato - Mar 10 2023

web naoto fukasawa embodiment pays homage to japan s best known product designer the celebrated creator has worked with a range of renowned brands and companies including issey miyake herman miller b b italia and driade among many others

naoto fukasawa embodiment by amazon on inspirationde - Aug 03 2022

web aug 16 2023 naoto fukasawa embodiment by amazon a brand new monograph on one of japan s best known product designers featuring more than 100 of his latest works amazon embodiment fukasawa naoto

naoto fukasawa embodiment naoto fukasawa google books - Jan 08 2023

web featuring more than 100 of his latest designs including furniture phones watches fashion luggage and accessories naoto fukasawa embodiment perfectly captures fukasawa s perspective on the dynamic interplay between people places and things it places the designer s products into the context of the contemporary design world and offers a

naoto fukasawa embodiment minimalissimo - Jun 13 2023

web naoto fukasawa embodiment a brand new monograph on one of japan s best known product designers featuring more than 100 of his latest works

embodiment naoto fukasawa naoto fukasawa design - Dec 27 2021

web embodiment naoto fukasawa chinese edition embodiment naoto fukasawa yuugu ambient 日本设计家 藤原 野矢 的 15 件 作品 naoto fukasawa the outline 藤原 野矢 naoto fukasawa 藤原 野矢 的 15 件 作品

15 products designed by naoto fukasawa that we love dwell - Jun 01 2022

web oct 14 2019 emeco za low stool lumens with a softly rounded top and simple legs the za low stool by emeco is a design from naoto fukasawa who wanted to give people a multi functional long lasting piece za means a place to sit in japanese and this practical piece offers spaces just that shop magis deja vu oval table lumens

pandora naoto fukasawa embodiment naoto fukasawa - Jan 28 2022

web naoto fukasawa embodiment naoto fukasawa phaidon 9780714876078 kitap satıŞ sözleşmesi

publications naoto fukasawa design - Jul 02 2022

web embodiment naoto fukasawa chinese edition embodiment naoto fukasawa yuugu ambient lifestyle item design by naoto fukasawa the boundary between kogeï and design naoto fukasawa the outline the unseen outline for things naoto fukasawa

outline in design the ecological approach to design

embodiment by naoto fukasawa waterstones - May 12 2023

web mar 23 2018 featuring more than 100 of his latest designs including furniture phones watches fashion luggage and accessories naoto fukasawa embodiment perfectly captures fukasawa s perspective on the dynamic

buy naoto fukasawa embodiment book online at low prices in - Nov 06 2022

web amazon in buy naoto fukasawa embodiment book online at best prices in india on amazon in read naoto fukasawa embodiment book reviews author details and more at amazon in free delivery on qualified orders

naoto fukasawa embodiment fukasawa naoto - Mar 30 2022

web abebooks com naoto fukasawa embodiment 9780714876078 by fukasawa naoto and a great selection of similar new used and collectible books available now at great prices

embodiment naoto fukasawa design - Sep 04 2022

web author naoto fukasawa publisher phaidon press u k published year 2018

naoto fukasawa embodiment amazon com - Aug 15 2023

web mar 23 2018 featuring more than 100 of his latest designs including furniture phones watches fashion luggage and accessories naoto fukasawa embodiment perfectly captures fukasawa s perspective on the dynamic

naoto fukasawa embodiment by naoto fukasawa goodreads - Dec 07 2022

web featuring more than 100 of his latest designs including furniture phones watches fashion luggage and accessories naoto embodiment perfectly captures fukasawa s perspective on the dynamic interplay between people places and things

escalation letter samples for ms word word excel templates - Sep 07 2023

web aug 18 2018 printable word and excel templates escalation letters what is an escalation letter an escalation letter is a process through which customer s complaints or concerns are forwarded to the senior management team or the employees in charge of initiating the related process in an organization

how to write an escalation email sample a step by step guide - May 03 2023

web aug 24 2023 1 start with a clear subject line the subject line should clearly and concisely summarize the reason for the email this immediately lets the recipient know what to expect and sets the tone for the rest of the email for example urgent project deadlines not met 2 begin with a brief introduction

how to write an escalation email free samples woculus - Oct 08 2023

web jun 29 2023 how to write escalation emails samples below we ve explained what escalation emails are and what differentiates them from regular complaint emails in this section of this article we re going to discuss how to effectively write them to ensure something gets done and a resolution is achieved

[how to create an effective escalation action plan template](#) - Nov 28 2022

web apr 5 2023 2 see what others are saying identify the issue the first step in creating an escalation action plan template is to identify the issue that requires escalation you should define the scope

effective escalation email sample how to write and use it - Jun 23 2022

web may 12 2023 by erick persija have you ever found yourself in a situation where you ve sent an important email but received no response have you followed up with another email and still heard nothing it s frustrating right but fear not my friend there is a solution escalation emails

[how to escalate without causing a fire tactical project manager](#) - Sep 26 2022

web first escalation escalate to counter party s management the first step is to raise the issue to the management responsible of the party you re dealing with in our example that s is the subcontractor you are working with you can do this escalation yourself and send an email to new management of the subcontractor

sample escalation email for not response how to write and - Oct 28 2022

web aug 12 2023 1 give a clear subject line when writing your sample escalation email it s essential to ensure that your subject line is clear precise and attention grabbing the subject line should state the issue and express urgency so that the recipient understands the importance of getting back to you

sample emails to escalate an issue copy paste emails - Jul 05 2023

web oct 6 2021 phrases i please you to escalate i kindly ask you to escalate we have taken the matter up this matter is escalated now i would like to inform you that the issue is escalated now with reference to our telephone conversation i can confirm that your issue has been escalated sample emails when you request an issue to be escalated

escalation email how to effectively raise concerns templates - Apr 02 2023

web aug 11 2023 escalation letter sample key elements of an effective escalation email navigating the world of escalation emails can seem daunting but don t fret to make sure your email escalation gets noticed it s all about focusing on the essentials here s a quick cheat sheet for the key elements that every escalate email should have clear subject line

[how to write an effective escalation email sample templates](#) - Jul 25 2022

web jul 11 2023 the best structure for writing an escalation email sample when it comes to writing an escalation email the structure of your message is crucial without a clear and organized format your email may not be received by the appropriate parties or may not effectively communicate the urgency of the situation here is the best structure for how to

[escalation letter to senior management sample letter to the](#) - Feb 17 2022

web jun 24 2023 escalation letter to senior management sample letter to the senior management to escalate an issue june 24 2023 to receiver s details date date subject escalation for issue respected sir madam

sample letter to escalate your complaint to higher authorities - May 23 2022

web feb 26 2014 sample letter for escalating your complaint to higher authorities i wish to register a complaint with the food inspection and safety authority of france regarding the unhygienic and contaminated food at hill view restaurant in paris hill view restaurant is located at rue de la sorbonne in paris s pantheon district

10 effective escalation email samples for 2024 2024 atonce - Aug 06 2023

web 1 escalation email for delayed project if you find yourself in a situation where a project is significantly delayed and you need to escalate the issue here s a sample email you can use subject urgent project atonce delayed escalation request dear recipient s name i hope this email finds you well

escalation letter for delay in service sample letter of escalation - Dec 30 2022

web jun 1 2022 escalation letter for delay in service sample letter of escalation regarding delayed service june 1 2022 to the customer relation officer department name company s name company s office address date date subject escalation for the delay in service sir madam

effective escalation message sample tips and examples - Aug 26 2022

web may 30 2023 the best structure for an escalation message sample when it comes to writing an escalation message it s essential to use a structure that is both clear and concise a well structured escalation message can help ensure that the issue is addressed promptly and effectively here s a breakdown of the best structure for an escalation

writing escalation emails 8 tips to help strike the right tone - Jan 31 2023

web mar 30 2016 here is an email which shows the 8 tips above in action dear mr smith 1 our company xxx has been dealing with yyy for a number of years now and in this time we have established a strong business relationship 2 with expenditure reaching 1 5 million per annum on your products 3 each year the price of the product has steadily risen

formal escalation email sample how to write a professional - Jun 04 2023

web may 18 2023 formal escalation email sample how to write a professional complaint letter may 18 2023 by erick persija have you ever found yourself in a situation where you need to escalate an issue or complaint to a higher authority

effective sample reply to escalation email to address customer - Apr 21 2022

web aug 15 2023 best regards your name and there you have it with this sample reply as your guide you ll be well equipped to respond to escalation emails in a prompt professional and effective manner remember you can always edit and adjust the language to fit your specific situation but the key is to remain calm clear and communicative

how to write an escalation email - Mar 01 2023

web jun 26 2023 how to write an escalation email how to write an escalation email june 26 2023 knowing how to write an escalation email is a vital professional skill this article will give you a step by step guide on how to write an escalation email

equipping you with the tools you need to handle situations that call for your issues to be escalated

how to write an escalation email with an email template and samples - Mar 21 2022

web how to send an escalation email escalation email examples 1 customer escalation email sample 2 project escalation email sample 3 escalation email to manager sample escalation email format escalation email template so you want to write the best escalation email but might be a bit unsure how here s our question