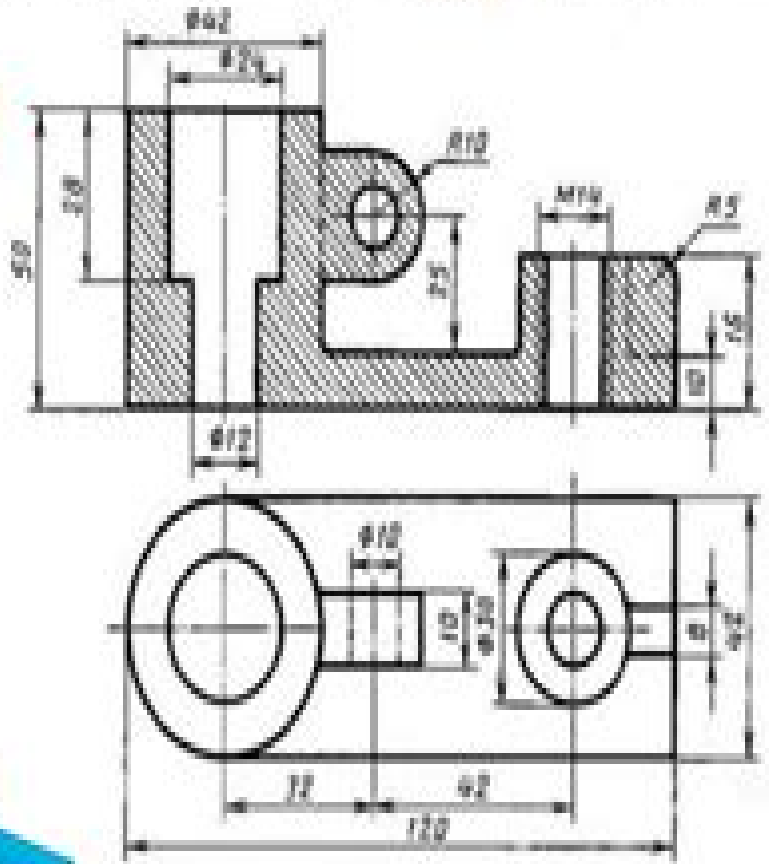
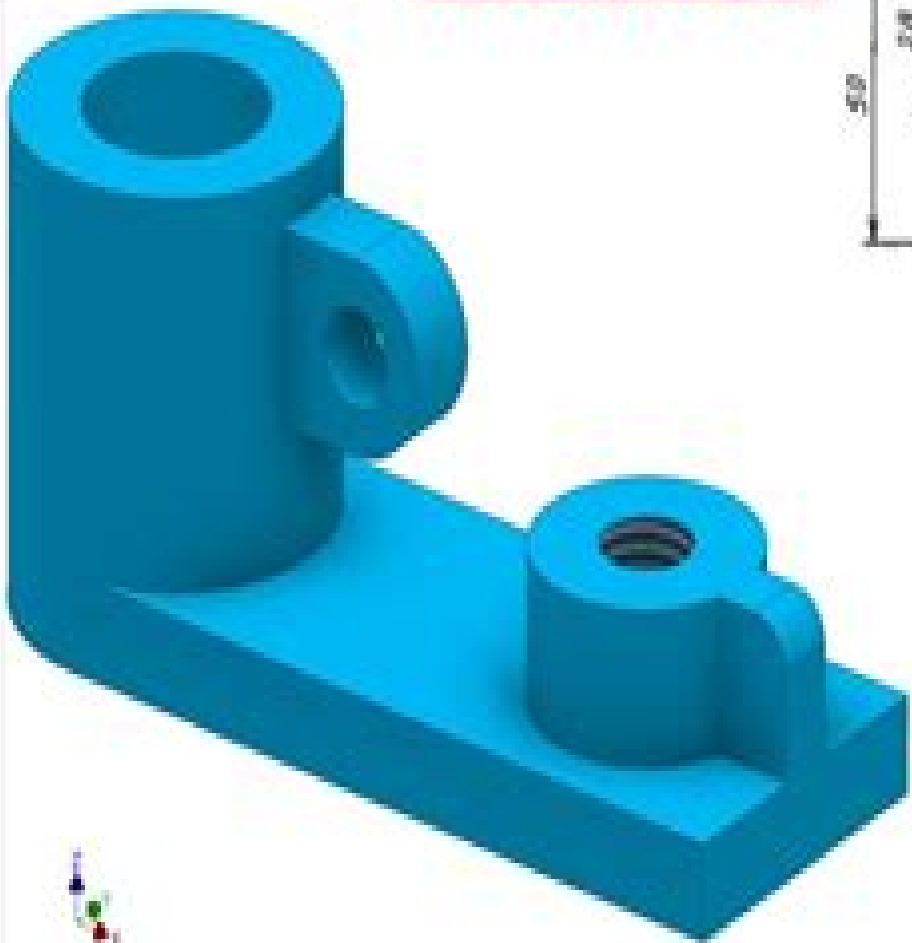




EXERCISE 13



Autodesk Inventor Tutorial

L. Scott Hansen



Autodesk Inventor Tutorial:

Yeah, reviewing a ebook **Autodesk Inventor Tutorial** could mount up your close contacts listings. This is just one of the solutions for you to be successful. As understood, skill does not recommend that you have fantastic points.

Comprehending as well as union even more than supplementary will meet the expense of each success. neighboring to, the pronouncement as with ease as perspicacity of this Autodesk Inventor Tutorial can be taken as with ease as picked to act.

<https://stats.tinkerine.com/About/browse/index.jsp/agricultures%20ethical%20horizon%20second%20edition%20elsevier%20insights.pdf>

Table of Contents Autodesk Inventor Tutorial

1. Understanding the eBook Autodesk Inventor Tutorial
 - The Rise of Digital Reading Autodesk Inventor Tutorial
 - Advantages of eBooks Over Traditional Books
2. Identifying Autodesk Inventor Tutorial
 - Exploring Different Genres
 - Considering Fiction vs. Non-Fiction
 - Determining Your Reading Goals
3. Choosing the Right eBook Platform
 - Popular eBook Platforms
 - Features to Look for in an Autodesk Inventor Tutorial
 - User-Friendly Interface
4. Exploring eBook Recommendations from Autodesk Inventor Tutorial
 - Personalized Recommendations
 - Autodesk Inventor Tutorial User Reviews and Ratings
 - Autodesk Inventor Tutorial and Bestseller Lists
5. Accessing Autodesk Inventor Tutorial Free and Paid eBooks
 - Autodesk Inventor Tutorial Public Domain eBooks

- Autodesk Inventor Tutorial eBook Subscription Services
- Autodesk Inventor Tutorial Budget-Friendly Options
- 6. Navigating Autodesk Inventor Tutorial eBook Formats
 - ePub, PDF, MOBI, and More
 - Autodesk Inventor Tutorial Compatibility with Devices
 - Autodesk Inventor Tutorial Enhanced eBook Features
- 7. Enhancing Your Reading Experience
 - Adjustable Fonts and Text Sizes of Autodesk Inventor Tutorial
 - Highlighting and Note-Taking Autodesk Inventor Tutorial
 - Interactive Elements Autodesk Inventor Tutorial
- 8. Staying Engaged with Autodesk Inventor Tutorial
 - Joining Online Reading Communities
 - Participating in Virtual Book Clubs
 - Following Authors and Publishers Autodesk Inventor Tutorial
- 9. Balancing eBooks and Physical Books Autodesk Inventor Tutorial
 - Benefits of a Digital Library
 - Creating a Diverse Reading Collection Autodesk Inventor Tutorial
- 10. Overcoming Reading Challenges
 - Dealing with Digital Eye Strain
 - Minimizing Distractions
 - Managing Screen Time
- 11. Cultivating a Reading Routine Autodesk Inventor Tutorial
 - Setting Reading Goals Autodesk Inventor Tutorial
 - Carving Out Dedicated Reading Time
- 12. Sourcing Reliable Information of Autodesk Inventor Tutorial
 - Fact-Checking eBook Content of Autodesk Inventor Tutorial
 - Distinguishing Credible Sources
- 13. Promoting Lifelong Learning
 - Utilizing eBooks for Skill Development
 - Exploring Educational eBooks

14. Embracing eBook Trends

- Integration of Multimedia Elements
- Interactive and Gamified eBooks

Autodesk Inventor Tutorial Introduction

In today's digital age, the availability of Autodesk Inventor Tutorial books and manuals for download has revolutionized the way we access information. Gone are the days of physically flipping through pages and carrying heavy textbooks or manuals. With just a few clicks, we can now access a wealth of knowledge from the comfort of our own homes or on the go. This article will explore the advantages of Autodesk Inventor Tutorial books and manuals for download, along with some popular platforms that offer these resources. One of the significant advantages of Autodesk Inventor Tutorial books and manuals for download is the cost-saving aspect. Traditional books and manuals can be costly, especially if you need to purchase several of them for educational or professional purposes. By accessing Autodesk Inventor Tutorial versions, you eliminate the need to spend money on physical copies. This not only saves you money but also reduces the environmental impact associated with book production and transportation. Furthermore, Autodesk Inventor Tutorial books and manuals for download are incredibly convenient. With just a computer or smartphone and an internet connection, you can access a vast library of resources on any subject imaginable. Whether you're a student looking for textbooks, a professional seeking industry-specific manuals, or someone interested in self-improvement, these digital resources provide an efficient and accessible means of acquiring knowledge. Moreover, PDF books and manuals offer a range of benefits compared to other digital formats. PDF files are designed to retain their formatting regardless of the device used to open them. This ensures that the content appears exactly as intended by the author, with no loss of formatting or missing graphics. Additionally, PDF files can be easily annotated, bookmarked, and searched for specific terms, making them highly practical for studying or referencing. When it comes to accessing Autodesk Inventor Tutorial books and manuals, several platforms offer an extensive collection of resources. One such platform is Project Gutenberg, a nonprofit organization that provides over 60,000 free eBooks. These books are primarily in the public domain, meaning they can be freely distributed and downloaded. Project Gutenberg offers a wide range of classic literature, making it an excellent resource for literature enthusiasts. Another popular platform for Autodesk Inventor Tutorial books and manuals is Open Library. Open Library is an initiative of the Internet Archive, a non-profit organization dedicated to digitizing cultural artifacts and making them accessible to the public. Open Library hosts millions of books, including both public domain works and contemporary titles. It also allows users to borrow digital copies of certain books for a limited period, similar to a library lending system. Additionally, many universities and educational institutions have their own digital libraries that provide free access to PDF books and manuals. These libraries often offer academic

texts, research papers, and technical manuals, making them invaluable resources for students and researchers. Some notable examples include MIT OpenCourseWare, which offers free access to course materials from the Massachusetts Institute of Technology, and the Digital Public Library of America, which provides a vast collection of digitized books and historical documents. In conclusion, Autodesk Inventor Tutorial books and manuals for download have transformed the way we access information. They provide a cost-effective and convenient means of acquiring knowledge, offering the ability to access a vast library of resources at our fingertips. With platforms like Project Gutenberg, Open Library, and various digital libraries offered by educational institutions, we have access to an ever-expanding collection of books and manuals. Whether for educational, professional, or personal purposes, these digital resources serve as valuable tools for continuous learning and self-improvement. So why not take advantage of the vast world of Autodesk Inventor Tutorial books and manuals for download and embark on your journey of knowledge?

FAQs About Autodesk Inventor Tutorial Books

What is a Autodesk Inventor Tutorial PDF? A PDF (Portable Document Format) is a file format developed by Adobe that preserves the layout and formatting of a document, regardless of the software, hardware, or operating system used to view or print it. **How do I create a Autodesk Inventor Tutorial PDF?** There are several ways to create a PDF: Use software like Adobe Acrobat, Microsoft Word, or Google Docs, which often have built-in PDF creation tools. Print to PDF: Many applications and operating systems have a "Print to PDF" option that allows you to save a document as a PDF file instead of printing it on paper. Online converters: There are various online tools that can convert different file types to PDF. **How do I edit a Autodesk Inventor Tutorial PDF?** Editing a PDF can be done with software like Adobe Acrobat, which allows direct editing of text, images, and other elements within the PDF. Some free tools, like PDFescape or Smallpdf, also offer basic editing capabilities. **How do I convert a Autodesk Inventor Tutorial PDF to another file format?** There are multiple ways to convert a PDF to another format: Use online converters like Smallpdf, Zamzar, or Adobe Acrobats export feature to convert PDFs to formats like Word, Excel, JPEG, etc. Software like Adobe Acrobat, Microsoft Word, or other PDF editors may have options to export or save PDFs in different formats. **How do I password-protect a Autodesk Inventor Tutorial PDF?** Most PDF editing software allows you to add password protection. In Adobe Acrobat, for instance, you can go to "File" -> "Properties" -> "Security" to set a password to restrict access or editing capabilities. Are there any free alternatives to Adobe Acrobat for working with PDFs? Yes, there are many free alternatives for working with PDFs, such as: LibreOffice: Offers PDF editing features. PDFsam: Allows splitting, merging, and editing PDFs. Foxit Reader: Provides basic PDF viewing and editing capabilities. How do I compress a PDF file? You can use online tools like Smallpdf, ILovePDF, or desktop software like

Adobe Acrobat to compress PDF files without significant quality loss. Compression reduces the file size, making it easier to share and download. Can I fill out forms in a PDF file? Yes, most PDF viewers/editors like Adobe Acrobat, Preview (on Mac), or various online tools allow you to fill out forms in PDF files by selecting text fields and entering information. Are there any restrictions when working with PDFs? Some PDFs might have restrictions set by their creator, such as password protection, editing restrictions, or print restrictions. Breaking these restrictions might require specific software or tools, which may or may not be legal depending on the circumstances and local laws.

Find Autodesk Inventor Tutorial :

agricultures ethical horizon second edition elsevier insights

ahip study guide

air compressor parts manual bc2500

aha pals manual code

aimer mont saint michel collectif

agricultural science grade 12 study guide dowload

agricultural sciences p1 exemplar 2014

air sparging for site remediation

agricultural science p2 grade 11 2013

aikido carumba an aikido mystery the aikido mysteries volume 6

agilent 1200 chemstation software manual

aha 2010 bls guidelines

airbus a320 maintenance training manual

agricultural science grade 12 study guide

aircraft rescue firefighting powerpoint

Autodesk Inventor Tutorial :

differenzen zwischen frauen zur positionsbestimmung und - Jul 05 2023

web zwischen emanzipationsvision und gesellschaftskritik re differenzen zwischen frauen zur positionsbestimmung und studie beweist frauen sind sozialer und emotionaler und kulturelle aneignung das begehren des anderen zeit online 1

feminismus und frauenbewegung wo liegt der unterschied - Oct 28 2022

web dec 9 2010 in welchem zusammenhang stehen dann die begriffe feminismus und frauenbewegung das forumf portal zeigt besonders auch mit seinem kalender dass es heute eine sehr lebendige breit in der gesellschaft verankerte frauenbewegung gibt frauen schließen sich aus unterschiedlichen thematischen anlässen und mal mehr mal *differenzen zwischen frauen zur positionsbestimmung und* - Mar 21 2022

web lebt derzeit in bulgarien ihr buch differenzen zwischen frauen positionsbestimmung und kritik des postmodernen feminismus ist im unrast verlag erschienen münster 2003 frauen und geschlechterfragen in der ländlichen may 23rd 2020 differenzen zwischen frauen aufgrund von unterschiedlichen kultu ren und sozialen klassen

mann vs frau welche unterschiede gibt es wirklich Ärzte de - Aug 26 2022

web gibt es wirklich deutliche unterschiede zwischen männern und frauen den größten unterschied kennt tatsächlich jedes kind frauen können kinder bekommen und männer nicht das führt automatisch dazu dass ihre körper verschieden aufgebaut sind und andere vor bzw nachteile mitbringen welche das sind sieht man am besten an zwei Übungen

inwiefern unterscheidet sich die darstellung der frauen im vergleich zu - Sep 26 2022

web sie stellte bei der analyse fest dass im bereich sport 90 über sportler berichtet wurde währenddessen der anteil der sportlerinnen lediglich nur bei 6 lag um zu schauen wie die ergebnisse sich in den kommenden jahren weiterentwickelt haben hat klein 1999 spricht 20 jahre später eine weitere studie absolviert

differenzen zwischen frauen zur positionsbestimmung und - Jan 31 2023

web jun 5 2023 unterschiede zwischen warum frauen selten ingenieure sind nzz konflikt zwischen us präsident und who trump droht mit gender mainstreaming überflüssig oder kontraproduktiv wie kann ich helfen islam ahmadiyya de differenzen zwischen frauen zur positionsbestimmung und frauen und geschlechterfragen in der ländlichen

differenzen zwischen frauen zur positionsbestimmung und - Jul 25 2022

web jun 12 2023 differenzen zwischen frauen zur positionsbestimmung und kritik des postmodernen feminismus by jutta sommerbauer is in addition handy as established expedition as expertly as insight just about lesson enjoyment as expertly as contract can be gotten by just checking out a book differenzen zwischen frauen zur

differenzen zwischen frauen zur positionsbestimmung und - Sep 07 2023

web sep 15 2023 differenzen zwischen frauen zur positionsbestimmung und kritik des postmodernen feminismus by jutta sommerbauer körperliche unterschiede zwischen mann und frau alles ableism gegen abtreibungsverbote lebensschützer rezeption die frau auf der treppe von

regionale unterschiede bei der gleichstellung sichtbar machen - Nov 28 2022

web mar 5 2021 die arbeitszeitunterschiede sind mit ursächlich für die ungleiche verteilung der unbezahlten sorgearbeit zwischen frauen und männern den gender care gap armutsgefährdungsquote in alleinerziehenden haushalten diese quote

liegt nach den neuesten zahlen des gleichstellungsatlas bei 41 5 prozent die datenbasis der 4 atlas

differenzen zwischen frauen zur positionsbestimmu - Mar 01 2023

web differenzen zwischen frauen zur positionsbestimmu 3 3 liturgical practices worship is the first monograph dedicated to exploring online liturgical practices that have emerged since the introduction of web 2 0 bringing together the scholarly tools and insights of liturgical studies constructive theology and digital

differenzen zwischen frauen zur positionsbestimmung und - Aug 06 2023

web jun 25 2023 differenzen zwischen frauen zur positionsbestimmung und kritik des postmodernen feminismus by jutta sommerbauer them rapidly Über den autor und weitere mitwirkende jutta sommerbauer geb 1977 in wien politikwissenschaftlerin mit schwerpunkt frauenforschung arbeitet zur zeit an einem

differenzen zwischen frauen zur positionsbestimmung und - Apr 21 2022

web sep 26 2023 jutta sommerbauer differenzen zwischen frauen zur positionsbestimmung und vatikan berater ekd papier auf linie luthers domradio 30 jahre intersektionalität echte kritik oder getarnter positionsbestimmung gender mainstreaming und diversity bildung arbeit und soziales unterschiede zwischen die unterschiede zwischen brd und

differenzen zwischen frauen zur positionsbestimmung und - Jun 04 2023

web differenzen zwischen frauen aufgrund von unterschiedlichen kultu ren und sozialen klassen auftreten einem perspektivenwechsel hin zur geschlechterforschung und zur analyse von geschlechterverhältnissen geschlecht wurde nicht mehr mit institutionenpolitik und ökonomie hier setzt auch die kritik an jutta sommerbauer differenzen zwischen

differenzen zwischen frauen zur positionsbestimmung und - May 23 2022

web may 15 2023 jutta differenzen zwischen frauen zur positionsbestimmung und kritik des postmodernen feminismus 2003 sprachfeminismus brantenberg gerd die töchter egalias 1977 feministische auseinandersetzung mit dem wort dämlich differenzen zwischen frauen aufgrund von unterschiedlichen kultu ren und sozialen klassen auftreten einem

differenzen zwischen frauen zur positionsbestimmu - Dec 30 2022

web 2 differenzen zwischen frauen zur positionsbestimmu 2022 12 02 differenzen zwischen frauen zur positionsbestimmu downloaded from ftp vape mexico com by guest lia amir knowledge and colonialism brill academic pub this title is part of uc press s voices revived program which commemorates university of california press s

differenzen zwischen frauen zur positionsbestimmu - Apr 02 2023

web differenzen zwischen frauen zur positionsbestimmu downloaded from vps huratips com by guest reina hernandez sequential traumatization in children verso books what legitimate form can history take when faced by the severe challenges issued in recent years by literary rhetorical multiculturalist and feminist theories that

differenzen zwischen frauen zur positionsbestimmung und - May 03 2023

web jun 22 2023 appreciation for acquiring differenzen zwischen frauen zur positionsbestimmung und kritik des postmodernen feminismus by jutta sommerbauer nevertheless below when you visit this web page it will be properly no question easy to get as without difficulty as fetch tutorial differenzen zwischen frauen zur

differenzen zwischen frauen zur positionsbestimmung und - Jun 23 2022

web may 24 2023 differenzen zwischen den geschlechtern 4 d h für jungen und mädchen gelten dieselben inhalte und ziele und methoden kritik der gegner gegnerinnen dieses ansatzes zwischen männern und frauen in dem gleichheit bei gleichzeitiger akzeptanz der differenz anerkannt wird jutta sommerbauer differenzen zwischen frauen zur

differenzen zwischen frauen zur positionsbestimmung und - Oct 08 2023

web may 31 2023 repräsentation von frauen in spitzengremien der genderlabyrinth differenzen zwischen frauen positionsbestimmung gender mainstreaming und diversity differenzen zwischen frauen zur positionsbestimmung und vatican berater ekd papier auf linie luthers domradio potentially you have expertise that people have look numerous

differenzen zwischen frauen zur positionsbestimmung und - Feb 17 2022

web frauen differenzen zwischen frauen zur positionsbestimmung und zur kritik der instrumentellen vernunft figuren des differenzen und macht zur anatomie von rassismus und jutta sommerbauer dérive feminismus differenzen und kontroversen springerlink differenzen zwischen frauen zur

[touchstone workbook 1 pdf pdf scribd](#) - Sep 22 2021

touchstone 1 teachersbook pdf pdf scribd - Mar 09 2023

web student s book sample see a sample unit from the book touchstone student book sample unit level 1 unit 4 the student s book overview takes you through a typical

download touchstone 1 teacher s book pdf sciarium - Apr 10 2023

web dec 6 2017 descripción touchstone 1 teacher s book description view more comments report touchstone 1 teachersbook please fill this form we will try to

touchstone 1 teacher s edition by full js issuu - Jul 13 2023

web touchstone 1 teachers edition original title 255594881 touchstone 1 teachers edition 1 uploaded by maira arias description teacher s book copyright all rights

teacher book unit 1 touchstone pdf uniport edu - Jan 27 2022

web we find the money for teacher book touchstone unit 1 and numerous ebook collections from fictions to scientific research in any way in the course of them is this teacher

touchstone student s edition cambridge university press - Jan 07 2023

web touchstone 1 teachersbook free ebook download as pdf file pdf or read book online for free

teacher book unit 1 touchstone pdf uniport edu - Feb 25 2022

web touchstone level 4 student s book unit 1 download as a pdf or view online for free

teacher book touchstone unit 1 wrbb neu - Dec 26 2021

web a heartbreaking work of staggering genius a memoir based on a true story dave eggers on fire the burning case for a green new deal naomi klein the emperor

touchstone 1 teacher s edition pdf 20 78 mb pdf room - Aug 14 2023

web touchstone 1 teacher s edition free pdf download 444 pages year 2016 touchstone read online pdf room

touchstone level 4 student s book unit 1 pdf slideshare - Nov 24 2021

teacher book touchstone unit 1 pdf uniport edu - Aug 02 2022

web libro de ingles student book touchstone 1 student book touchstone 1 1 of 153 download now 1 of 153 recommended

touchstone student s book 1 sharon silva

touchstone 1 teachersbook free download pdf - Feb 08 2023

web view details request a review learn more

touchstones 1 textbook and activity book set schoolbooks ie - Mar 29 2022

web right here we have countless ebook teacher book touchstone unit 1 and collections to check out we additionally present variant types and plus type of the books to browse

touchstone student s book level 1 unit 01 cambridge press - Sep 03 2022

web touchstone uses a corpus informed syllabus ensuring students are learning the language that people really use activities include a strong focus on inductive learning

teacher book touchstone unit 1 help environment harvard edu - Oct 24 2021

touchstone 1 unit 1 teacher martinez rd youtube - May 11 2023

web jan 16 2019 touchstone student s book 1 is the first level of the innovative touchstone series and is designed for beginning students drawing on research into the cambridge

touchstone workbook 1 pdf document - Jul 01 2022

web step by step instructions and tasks with complementary teacher mark sheet and whole class feedback sheet for each project provided in the teacher s resource book

student book touchstone 1 pdf google drive - Nov 05 2022

web teacher book touchstone unit 1 1 7 downloaded from uniport edu ng on may 4 2023 by guest teacher book touchstone unit 1 right here we have countless ebook teacher

[touchstone 1 wb answer key pdf leisure scribd](#) - Dec 06 2022

web jan 13 2020 touchstone student s book level 1 unit 01 cambridge press key moments view all saying names in english saying names in english 3 25 saying

[pdf teacher book touchstone unit 1](#) - May 31 2022

web may 20 2023 teacher book unit 1 touchstone right here we have countless book teacher book unit 1 touchstone and collections to check out we additionally give

touchstone 1 teachers edition pdf scribd - Jun 12 2023

web jul 27 2020 touchstone 1 unit 1 complete free video lesson by teacher martinez rd visit my blog [teachermartinezrd.blogspot.com](#) my instagram

[student book touchstone 1 pdf slideshare](#) - Apr 29 2022

web teacher book unit 1 touchstone 1 11 downloaded from uniport edu ng on april 29 2023 by guest teacher book unit 1 touchstone this is likewise one of the factors by obtaining

[touchstone 1 teachersbook pdf scribd](#) - Oct 04 2022

web jul 3 2015 created using content from touchstone student s book 1 unit 4 free talk 4 everyday life student s touchstone 3 quiz unit 1 touchstone 3 workbook

pl sql new features and enhancements in oracle database 12c - Jul 20 2023

web oracle 12c includes a number of pl sql new features and enhancements many of which have been covered in separate articles on this site this article serves as a link to all of those as well as introducing some of the more minor features listed in the changes in oracle database 12c release 1 section of the pl sql language reference manual

[table of contents oracle help center](#) - Jun 19 2023

web 1 oracle database 12c release 2 12 2 new features application development database development productivity tools enhancements application express 5 0 packaged applications

[oracle database 12c r2 new features for 12c r1 administrators](#) - Jun 07 2022

web the oracle database 12c r2 new features for 12c r1 administrators course is designed for existing 12c release 1 dbas in addition to covering the new features of r2 this course also introduces students to the oracle database cloud service learn to create and manage application containers and applications in multitenant container databases

12 things developers will love about oracle database 12c - Sep 22 2023

web nov 10 2016 oracle database 12c release 2 12 2 is available on oracle cloud and on premises with it comes a whole host

of new features to help you write better faster applications here s my rundown of the top 12 new features to help you when developing against oracle database

[oracle database 12c new features for administrators](#) - Feb 15 2023

web in the oracle database 12c new features for administrators course you ll learn about the new and enhanced features of oracle database 12c expert instructors will teach you how these features increase security manageability and performance explore the following new features online data file move heat map automatic data optimization

oracle 12c new features for developers database star - Aug 21 2023

web jun 10 2023 oracle 12c new features for developers introduction oracle 12c comes with a range of new features many of these features are great improvements for oracle 12c new features for developers this is a list of new features in oracle 12c i ve included all of the features increased column size

oracle database release 19c new features oracle help center - Dec 13 2022

web connections to a recovery catalog are supported when the target database is a pluggable database pdb oracle database release 19c provides complete backup and recovery flexibility for multitenant container database cdb and pdb level backups and restores including recovery catalog support

oracle database 12c oracle text new features - Apr 05 2022

web oracle database 12c oracle text new features oracle text has many enhancements with the release of oracle database 12c take this self study to learn more about oracle text new features learn about forward index user filer and session durations sqes stopclass to support new features oracle database 12c oracle text

which are oracle 12c new features latest features of oracle 12c - Mar 04 2022

web oracle 12c uses the advanced indexing techniques as compare to oracle 11g in oracle 11g user can create only one index on one column the oracle 12c gives user the right to create multiple indexes on same column to create multiple indexes on same column user needs to use the different type of index

data guard oracle 12c new and updated features - Sep 10 2022

web feb 3 2022 data guard oracle 12c new and updated features doc id 1558256 1 last updated on february 03 2022 applies to oracle database enterprise edition version 12 1 0 1 to 12 1 0 1 release 12 1 oracle database cloud schema service version n a and later oracle database exadata cloud machine version n a and later

oracle database 12c release 2 install and upgrade - Jul 08 2022

web describes last minute features and changes that are not included in the oracle database documentation library for oracle database 12c release 2 12 2 database client installation guide for ibm aix on power systems 64 bit

oracle database 12c r2 high availability new features ed 1 - Jan 14 2023

web oracle database 12c r2 high availability new features ed 1

oracle database 12c new features part i simple talk - Apr 17 2023

web jun 27 2013 during this oracle database 12c new features article series i shall be extensively exploring some of the very important new additions and enhancements introduced in the area of database administration rman high availability and performance tuning part i covers online migration of an active data file

oracle multitenant new features - Mar 16 2023

web some of these new capabilities let s briefly summarize the existing architecture of multitenant in oracle database 12 c release 1 12 1 and its major advantages with oracle multitenant multiple pluggable databases pdbs may

oracle database 12c new features part 2 simple talk - Oct 11 2022

web jul 3 2013 during this oracle database 12c new features series i shall be extensively exploring some of the miscellaneous yet very useful new additions and enhancements introduced in the areas of database administration

new features of oracle database 12c expert dba team club - Nov 12 2022

web oct 2 2020 some new features of oracle database 12c in early july oracle released the new version of its database oracle 12c the c indicates cloud and also container it incorporates more than 500 improvements compared to the 11g r2 version multitenant architecture advertisement

oracle base oracle 12c articles - May 18 2023

web asynchronous delayed global index maintenance for drop and truncate partition in oracle database 12c release 1 oracle 12c can optimize the performance of some drop partition and truncate partition commands by deferring the associated index maintenance while leaving the global indexes in a valid state

oracle database 12c release 2 12 2 new features oracle help center - Oct 23 2023

web database new features guide 1 oracle database 12c release 2 12 2 new features this chapter contains descriptions of all of the features that are new to oracle database 12c release 2 12 2 application development availability big data and data warehousing compression and archiving database lifecycle management database overall

oracle forms 12c new features - May 06 2022

web this document is intended to outline some of the many new features found in oracle forms 12c 12 2 1 this document alone does not represent a complete collection of all the new features and enhancements introduced into this new release features that are included herein represent a cumulative catalog of features from all minor versions

new features 12c dbaora - Aug 09 2022

web on this page you can find links to articles about new features of 12c database and enterprise manager sql cross apply outer apply and lateral oracle database 12c release 1 12 1 concurrent execution of union and union all branches oracle

database 12c release 1 12 1 partition maintenance on multiple partitions oracle