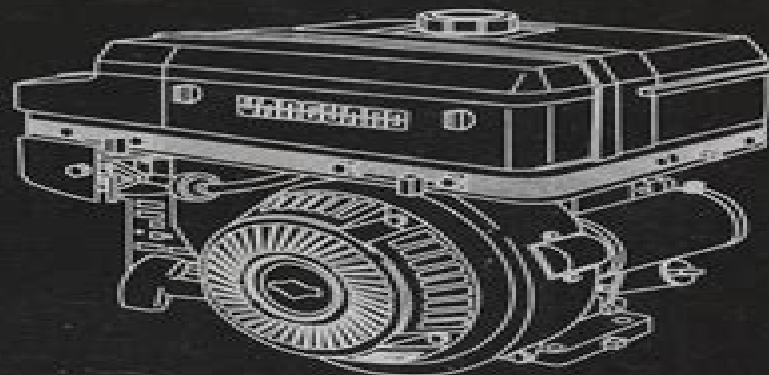
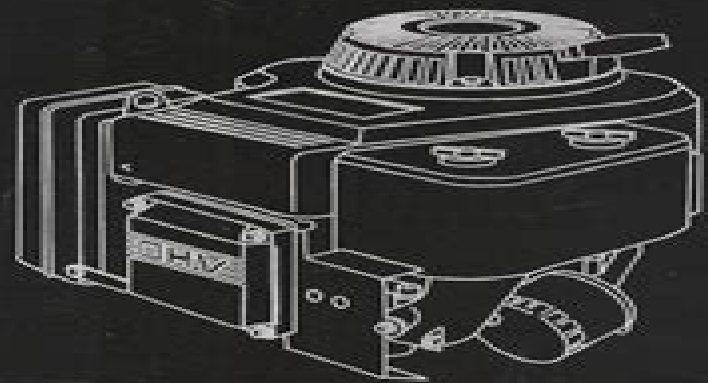
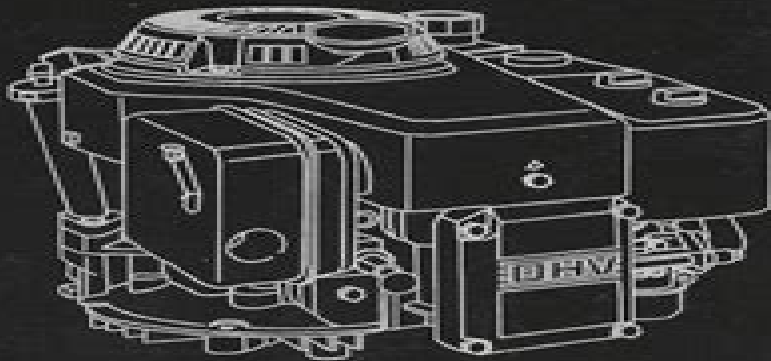




VANGUARD

Repair Manual

For Single Cylinder OHV Engines



Briggs Stratton Master Repair Manual Collection

Camilla Rothe



Briggs Stratton Master Repair Manual Collection:

Index of Technical Manuals, Technical Regulations, Technical Bulletins, Supply Bulletins, Lubrications Orders, and Modification Work Orders United States. Department of the Army, 1954 **Small Gasoline Engines** Donald L. Ahrens, Forrest W. Bear, Harry Hoerner, 1992-06-01 This manual contains the latest in small engine technology including CDI solid state ignition automatic chokes no choke carburetors and fuel pump carburetor systems Classroom and laboratory exercises are included Special emphasis related to small engine overhaul and repair has been designed into all laboratory exercises to make your small engine instructional unit more complete Procedures for ordering small engine parts for repair are covered throughout the manual The appendix contains safety exam parts order form English Metric equivalent charts engine matics and hydra matics formulas and engine overhaul worksheets **Technical Manual** United States. War Department, 1948 **Manuals Combined: 150+ U.S. Army Navy Air Force Marine Corps Generator Engine MEP APU Operator, Repair And Parts Manuals** , Over 36 000 total pages Just a SAMPLE of the CONTENTS by File Number and TM Number 013511 TM 5 6115 323 24P 4 GENERATOR SET GASOLINE ENGINE DRIVEN SKID MOUNTED TUBULAR FRAME 1 5 K SINGLE PHASE AC 120 240 V 28 VDC LESS ENGINE DOD MODELS MEP 015A 60 HZ NSN 6115 00 889 1446 AND DOD MODEL MEP 025A 28 VDC 6115 00 017 8236 TO 35C2 3 385 4 SL 4 07609A 07610A 013519 TM 5 6115 329 25P 1 GENERATOR SET GASOLINE ENGINE DR LESS ENGINE 0 5 KW AC 120 240 V 60 HZ 1 PHASE DOD MODEL FSN 6115 923 4469 400 HZ MODEL MEP 019A 6115 940 7862 AN DC MODEL MEP 024A 6115 940 7867 TO 35C2 3 440 14 013537 TM 5 6115 457 12 7 GENERATOR SET ENGINE DRIVEN TACTICAL SKID MTD 100 KW 3 PHASE 4 WIRE 120 240 416 V DOD MODELS MEP 007A UTILITY CLASS 50 60 HZ NSN 6115 00 133 9101 MODEL MEP 106A PRECISE CLASS 50 60 HZ 6115 00 133 9102 MODEL MEP 116A PRECISE CLASS 400 KW 6115 00 133 9103 INCLUDING OPTIONAL KITS MODEL MEP 007 AWF WINTERIZATION KIT FUEL BURNING 6115 00 463 9082 MEP 007AWE WINTERIZATION KIT ELECTRIC 6115 00 463 9084 MODEL MEP 007A DUMMY LOAD KIT 6115 00 463 9086 AND MODEL MEP 007AWM WHEEL 013538 TM 5 6115 457 34 12 GENERATOR SET DIESEL ENGINE DRIVEN TACTICAL SKID 100 KW 3 PHASE 4 WIRE 120 208 AND 240 416 V DOD MODELS MEP0 UTILITY CLASS 50 60 HZ NSN 6115 00 133 9101 MODEL MEP106A CLASS 50 60 HZ 6115 00 133 9102 AND MODEL MEP116A PRECISE 400 HZ 6115 00 133 9103 INCLUDING OPTIONAL KITS DOD MODELS MEP007AWF WINTERIZATION KIT FUEL BURNING 6115 00 463 9082 MEP007AWE WINTERIZATION KIT ELECTRIC 6115 00 463 9084 MOD MEP007ALM DUMMY LOAD KIT 6115 00 463 9086 AND MODEL MEP007A MOUNTING KIT 6 013540 TM 5 6115 458 24P 9 GENERATOR SET DIESEL ENGINE DRIVEN TACTICAL SKID MTD 2 KW 3 PHASE 4 WIRE 120 208 AND 240 416 VOLTS DOD MODELS MEP009A UTILITY CLASS 50 60 HZ NSN 6115 00 133 9104 AND MODEL MEP108A PRECISE CLASS 50 60 HZ 6115 00 935 8729 INCLUDING OPTIONAL K DOD MODELS MEP009AWF WINTERIZATION KIT FUEL BURNING 6115 00 403 3761 MODEL MEP009AWE WINTERIZATION KIT ELECTRIC 6115 00 489 7285 013545 TM 5

6115 465 12 19 GENERATOR DIESEL ENGINE DRIVEN TACTICAL SKID MTD 30 KW 3 PHASE 4 WIRE 120 208 AND 240 416 V DOD MODEL MEP 005A UTILITY CLASS 50 6 NSN 6115 00 118 1240 MODEL MEP 104A PRECISE CLASS 50 60 6115 00 118 1247 MODEL MEP 114A PRECISE CLASS 400 HZ 6115 00 118 1248 INCLUDING AUXILIARY EQUIPMENT DOD MODEL MEP WINTERIZATION KIT FUEL BURNING 6115 00 463 9083 MODEL MEP WINTERIZATION KIT ELECTRIC 6115 00 463 9085 MODEL MEP 005A LOAD BANK KIT 6115 00 463 9088 AND MODEL MEP 005AWM WH 013547 TM 5 6115 465 34 12 GENERATOR SET DIESEL ENGINE DRIVEN TACTIC SKID MTD 30 KW 3 PHASE 4 WIRE 120 208 AND 240 416 V DOD MO MEP 005A UTILITY 50 60 HZ NSN 6115 00 118 1240 MODEL MEP 104A PRECISE 50 60 HZ 6115 00 118 1247 MODEL MEP 114 PRECISE 50 60 HZ 6115 00 118 1248 INCLUDING OPTIONAL KITS MODEL MEP 005AWF WINTERIZATION KIT FUEL BURNING 6115 00 463 MODEL MEP 005AWE WINTERIZATION KIT ELECTRIC 6115 00 463 908 MODEL MEP 005ALM LOAD BANK KIT 6115 00 463 9088 MODEL MEP WHEEL MOUNTING KIT 6115 00 013548 TM 5 6115 545 12 18 GENERATOR DIESEL ENGINE DRIVEN TACTICAL SKID MTD 60 KW 3 PHASE 4 WIR 120 208 AND 240 416 VOLTS DOD MODEL MEP 006A UTILITY CLASS 5 NSN 6115 00 118 1243 DOD MODEL MEP 105A PRECISE CLASS 50 60 6115 00 118 1252 DOD MODEL MEP 115A PRECISE CLASS 400 HZ 6115 00 118 1253 INCLUDING OPTIONAL KITS DOD MODEL MEP006AWF WINTERIZATION KIT FUEL BURNING 6115 00 407 8314 DOD MODEL MEP006AWE WINTERIZATION KIT ELECTRIC 6115 00 455 7693 DOD M MEP006ALM LOAD BANK KIT 6115 00 407 8322 DOD MODEL MEP006 013550 TM 5 6115 545 34 12 INTERMEDIATE FIELD DIRECT AND GENERAL SUPPORT AND DEPOT MAINTENANCE MANUAL FOR GENERATOR SET DIESEL ENGINE DRIVEN TAC SKID MTD 60 KW 3 PHASE 4 WIRE 120 208 AND 240 416 VOLTS DOD MODELS MEP 006A UTILITY CLASS 50 60 HZ FSN 6115 118 1243 MEP 105A PRECISE CLASS 50 60 HZ 6115 118 1252 AND MEP 115A PRECISE CLASS 400 HZ 6115 118 1253 TO 35C2 3 444 2 NAVFAC P 8 626 34 TM 00038G 35 015378 TM 5 6115 323 14 10 GENERATOR GASOLINE ENGINE DRIVEN SKID MOUNTED TUBULAR FRAME 1 5 KW SI PHASE AC 120 240 V 28 V DC LESS ENGINE DOD MODELS MEP 01 60 HZ NSN 6115 00 889 1446 AND MODEL MEP 025A 28 V DC 6115 00 017 8236 TO 35C2 3 385 1 015380 TM 5 6115 332 24P 3 GENERATOR GASOLINE ENGINE AIR COOLED 5 KW AC 120 240 V SINGLE PHASE 120 208 V 3 PHASE SKID MOUNTED TUBULAR FRAME LESS ENGINE M DESIGN 60 HZ DOD MODEL MEP 017A NSN 6115 00 017 8240 400 DOD MODEL MEP 022A 6115 00 017 8241 TO 35C2 3 424 24 020611 LO 5 6115 457 12 GENERATOR SET DIESEL ENGINE DRIVEN SKID MTD 100 KW 3 PHASE 120 208 AND 240 416 V DOD MODELS MEP 007A UTILITY CLASS 50 NSN 6115 00 133 9101 MODEL MEP 106A PRECISE CLASS 50 60 H 6115 00 133 9102 AND MODEL MEP 116A PRECISE CLASS 400 HZ 6115 00 133 9103 020612 LO 5 6115 458 12 GENERATOR SET DIESEL ENGINE DRIVEN SKID MTD 200 KW 3 PHASE 4 WIRE 120 208 416 VOLTS DOD MODELS MEP 009A UTILITY CLASS 50 60 HERTZ NSN 6115 00 133 9104 MEP 108A PRECISE CLASS 50 HERTZ 6115 00 935 8729 LO 07536A 12 020614 LO 5 6115 465 12 GENERATOR SET DIESEL ENGINE DRIVEN TACTICAL SKID MOUNTED

30 3 PHASE 4 WIRE 120 206 AND 240 416 V DOD MODEL MEP 055A UT CLASS 50 60 HZ NSN 6115 00 118 1240 MODEL MEP 104A PRECI CLASS 50 60 HZ 6115 00 118 1247 AND MODEL 114A PRECISE CLA 400 HZ 6115 00 118 1248 025150 TM 5 6115 271 14 12 GENERATOR SET GASOLINE ENGINE DRIVEN S MTD TUBULAR FRAME 3 KW 3 PHASE AC 120 208 AND 120 240 V 2 DC LESS ENGINE DOD MODEL MEP 016A 60 HZ NSN 6115 00 017 823 MODEL MEP 016C 60 HZ 6115 00 143 3311 MODEL MEP 021A 400 HZ 6115 00 017 8238 MODEL MEP 021C 400 HZ 6115 01 175 7321 MODEL MEP 026A DC HZ 6115 00 017 8239 MODEL MEP 026C 28 V DC 6115 01 175 7320 TO 35C2 3 386 1 TM 05926A 14 NAVFAC P 8 6 025151 TM 5 6115 271 24P 3 GENERATOR SET GASOLINE ENGINE DRIVEN SKID MOUNTED TUBULA FRAME 3 KW 3 PHASE AC 120 208 AND 120 240 VOLTS 28 VDC LE ENGINE DOD MODEL MEP 016A 60 HERTZ NSN 6115 00 017 8237 MEP 021A 400 HERTZ 6115 00 017 8238 MEP 026A 28 VDC HERTZ 6115 00 017 8239 MEP 016C 60 HERTZ 6115 01 143 3311 MEP 400 HERTZ 6115 01 175 7321 MEP 026C 28 VDC HERTZ 6115 01 175 7320 TO 35C2 3 386 4 SL 4 05926A 032507 TM 5 6115 275 14 10 GENERATOR SET GASOLINE ENGINE DRIVEN SKID MOUNTED TUBULAR FRAME 10 KW AC 120 208V PHASE AND 120 240V SINGLE PHASE LESS ENGINE DOD MODELS MEP HZ NSN 6115 00 889 1447 AND MEP 023A 400 HZ 6115 00 926 08 NAVFAC P 8 615 14 TO 35C2 3 452 1 THIS ITEM IS INCLUDED ON EM 0086 EM 0088 D MEP 018A UTILITY CLASS 60 HZ NSN 6115 00 889 1447 AND MEP 0 PRECISE CLASS 400 HZ 6115 00 926 0843 NAVFAC P8 615 24P TO 35C2 3 452 4 THIS ITEM IS INCLUDED ON EM 0086 EM 0088 1 PHASE 3 WIRE 3 PHASE 4 WIRE 120 120 240 AND 120 208 V DOD MODEL MEP 002A UTILITY CLASS 60 HZ NSN 6115 00 465 1044 NAVFAC P 8 622 12 TO 35C2 3 456 1 TM 05682C 12 032640 TM 5 6115 585 12 12 GENERATOR SET DIESEL ENGINE DRIVEN TACTICAL SKID MTD 10 KW 1 PHASE 2 WIRE 1 PHASE 3 WIRE AND 3 PHASE 4 WIRE 120 120 240 AND 120 208 V DOD MODEL MEP 003A UTILITY CLASS 60 HZ NSN 6115 00 465 1030 AND MODEL MEP 112A UTILITY CLASS 400 HZ 6115 00 465 1027 NAVFAC P 8 623 12 TO 35C2 3 455 1 TM 05684C 05685B 12 032781 TM 5 6115 584 34 8 GENERATOR SET DIESEL ENGINE DRIVEN TAC SKID MOUNTED 5 KW 1 PHASE 2 WIRE 1 PHASE 3 WIRE 3 PHASE 120 120 240 AND 120 208 V DOD MODEL MEP 002A UTILITY CLASS NSN 6115 00 465 1044 NAVFAC P 8 622 34 TO 35C2 3 456 2 TM 0568C 34 032936 TM 5 6115 329 14 4 GENERATOR SET GASOLINE ENGINE DRIVEN 0 5 KW LESS ENGINE DOD MODEL MEP 014 UTILITY CLASS 60 HZ NSN 6115 00 923 4469 DOD MODEL MEP 01 UTILITY CLASS 400 HZ 6115 00 940 7862 AND DOD MODEL MEP 024 UTILITY CLASS 28 VDC 6115 00 940 7867 TO 35C2 3 440 1 033374 TM 5 6115 332 14 10 GENERATOR SET TAC GASOLINE ENGINE AIR COOLED 5 KW AC 120 240 V SINGLE PHASE V 3 PHASE SKID MOUNTED TUBULAR FRAME LESS ENGINE MILITARY DOD MODEL MEP 017A UTILITY 60 HZ NSN 6115 00 017 8240 AND MODEL MEP 022A UTILITY 400 HZ 6115 00 017 8241 NAVFAC P 8 614 14 TO 35C2 3 424 1 033750 TM 5 6115 585 34 9 GENERATOR SET DIESEL ENGINE DRIVEN TAC SKID MOUNTED 10 KW 1 PHASE 2 WIRE 1 PHASE 3 WIRE 3 PHASE 4 WIRE 120 120 240 AND 120 208 VOLTS DOD MODEL MEP 003A UT CLASS 60 HZ NSN 6115 00 465 1030 NAVFAC P 8 623 12 TO 35C2 3 455 2 TM

05684C 05685B 34 034072 TM 5 6115 585 24P 5 GENERATOR SET DIESEL ENGINE DRIVEN TA SKID MTD 10 KW 1 PHASE 2 WIRE 1 PHASE 3 WIRE 3 PHASE 4 W 120 120 240 AND 120 208 V DOD MODELS 003A UTILITY CLASS 60 NSN 6115 00 465 1030 AND MODEL MEP 112A UTILITY CLASS 400 6115 00 465 1027 NAVFAC P 8 623 24P TO 35C2 3 455 4 SL 4 05684C 06585B 040180 TM 5 6115 584 12 HR HAND RECEIPT MANUAL COVERING END ITEM COMPONENTS OF END ITEM C BASIC ISSUE ITEMS BII AND ADDITIONAL AUTHORIZATION LIST AAL GENERATOR SET DIESEL ENGINE DRIVEN TACTICAL SKID MTD 5 KW 1 WIRE 1 PH 3 WIRE 3 PH 4 WIRE 120 120 240 AND 120 208 V D MEP 002A UTILITY CLASS 60 HZ NSN 6115 00 465 1044 040833 TM 5 6115 458 12 HR HAND RECEIPT MANUAL COVERING THE END ITEM COMPONENTS OF END ITE BASIC ISSUE ITEMS BII AND ADDITIONAL AUTHORIZATION LIST AA GENERATOR SET DIESEL ENGINE DRIVEN TACTICAL SKID MOUNTED 20 3 PHASE 4 WIRE 120 208 AND 240 416 V DOD MODEL MEP 009A UT CLASS 50 60 HZ NSN 6115 00 133 9104 AND DOD MODEL MEP 108A PRECISE CLASS 50 60 HZ 6115 00 935 8729 040843 TM 5 6115 593 34 GENERATOR SET DIESEL ENGINE DRIVEN TAC SKID MTD 500 KW 3 PHASE 4 WIRE 120 208 AND 240 416 VOLTS DOD MODEL MEP 029A CLASS UTILITY 50 60 HZ NSN 6115 01 030 DOD MODEL MEP 029B CLASS UTILITY 50 60 HZ 6115 01 318 6302 INCLUDING OPTIONAL KITS DOD MODEL MEP 029AHK HOUSING KIT 6115 01 070 7550 DOD MODEL MEP 029ACM AUTOMATIC CONTROL MO 6115 01 275 7912 DOD MODEL MEP 029ARC REMOTE CONTROL MODULE 6110 01 070 7553 DOD MODEL MEP 029ACC REMOTE CONTROL CABLE 6110 01 087 4127 NAVFAC P 8 041070 TM 5 6115 593 12 GENERATOR SET ENGINE DRIVEN TACTICAL SKID MTD 500 KW 3 PHASE 4 WIRE 120 240 416 VOLTS DOD MODEL MEP 029A CLASS UTILITY HERTZ 50 60 NSN 6115 01 030 6085 MEP 029B UTILITY 50 60 6115 01 318 INCLUDING OPTIONAL KTS DOD MODELS MEP 029AHK NOMENCLATURE HOUS 6115 01 070 7550 MEP 029ACM AUTOMATIC CONTROL MODULE 6115 01 275 7912 MEP 029ARC REMOTE CONTROL MODULE 6110 01 070 7553 MEP 029ACC REMOTE CONTROL CABLE 6110 01 087 4127 TO 35C2 3 463 1 041338 LO 55 1730 229 12 POWER UNIT AVIATION MULTI OUTPUT GTED ELECTRICAL HYDRAULIC PNEUMATIC AGPU WHEEL MOUNTED SELF PROPELLED TOWABLE DOD MODEL MEP 360A CLASS PRECISE HERTZ 400 NSN 1730 01 144 1897 042791 TM 5 6115 457 12 HR HAND RECEIPT MANUAL COVERING THE BASIC ISSUE ITEMS BII FOR GE SET DIESEL ENGINE DRIVEN TACTICAL SKID MTD 100 KW 3 PHASE 120 208 AND 240 416 V DOD MODELS MEP007A UTILITY CLASS 50 6 NSN 6115 00 133 9101 MODEL MEP 106A PRECISE CLASS 50 60 6115 00 133 9102 AND MODEL MEP116A PRECISE CLASS 400 HZ 6115 00 133 9103 043437 TM 5 6115 593 24P 1 GENERATOR SET DIESEL ENGINE DRIVEN TACTICAL SKID MOUNTED 500 KW 3 PHA 4 WIRE 120 208 AND 240 416 VOLTS DOD MODEL MEP 029A UTILITY CL 50 60 HZ NSN 6115 01 030 6085 MEP 029B UTILITY CLASS 50 60 6115 01 318 6302 INCLUDING OPTIONAL KITS DOD MODEL MEP 029AHK HOUSING KIT 6115 01 070 7550 MEP 029ACM AUTOMATIC CONTROL MOD 6115 01 275 7912 MEP 029ARC REMOTE CONTROL MODULE 6110 01 070 7553 MEP 029ACC REMOTE CONTROL CABLE 6110 01 087 NAVFAC P 8 631 24P TO 35C2 3 463 4

044703 TM 5 6115 545 12 HR HAND RECEIPT MANUAL COVERING COMPONENTS OF END ITEM COEI BAS ITEMS BII AND ADDITIONAL AUTHORIZATION LIST AAL FOR GENERA DIESEL ENGINE DRIVEN TACTICAL SKID MTD 60 KW 3 PHASE 4 WIRE 120 208 AND 240 416 V DOD MODELS MEP 006A UTILITY CLASS 50 6 NSN 6115 00 118 1243 MODEL MEP 105A PRECISE CLASS 50 60 H 6115 00 118 1252 AND MODEL MEP 115A PRECISE CLASS 400 HZ 6115 00 118 1253 050998 TM 5 6115 600 12 8 GENERATOR DIESEL ENGINE DRIVEN TACTICAL SKID MTD 100 KW 3 PHASE 4 WIR 120 208 AND 240 416 V DOD MODEL MEP 007B CLASS UTILITY 50 60 NSN 6115 01 036 6374 INCLUDING OPTIONAL KITS DOD MODEL MEP00 WINTERIZATION KIT FUEL BURNING AND MEP007BWE WINTERIZATION KIT ELECTRIC 051007 TM 5 6115 600 24P 4 GENERATOR SET DIESEL ENGINE DRIVEN 100 KW 3 PHASE 4 WIRE 120 208 AND VOLTS DOD MODEL MEP 007B UTILITY CLASS 50 60 HZ NSN 6115 01 036 6374 INCLUDING OPTIONAL KITS DOD MODEL MEP007BWF WINTERIZATION KIT FUEL BURNING AND MEP007BWE WINTERIZATION KIT ELECTRIC TO 35C2 3 442 14 NAVFAC P 8 628 24P SL 4 07464B 057268 LO 5 6115 600 12 GENERATOR SET DIESEL ENGINE DRIVEN TACTICAL SKID MTD 100 KW PHASE 4 WIRE 120 208 AND 240 416 V DOD MODEL MEP007B CLASS UTILITY 50 60 HZ NSN 6115 01 036 6374 057513 LO 5 6115 604 12 GENERATOR SET DIESEL ENGINE DRIVEN AIR TRANSPORTABLE SKID MT 750 KW 3 PHASE 4 WIRE 2400 4160 AND 2200 3800 VOLTS DOD MOD MEP208A CLASS PRIME UTILITY HZ 50 60 NSN 6115 00 450 5881 LI 6115 12 9 060183 TM 5 6115 612 24P 6 GENERATOR SET AVIATION GAS TURBINE ENGINE DRIVEN INTEGRA TRAILER MOUNTED 10KW 28 VOLTS MODEL MEP 362A PRECISE DC NSN 6115 01 161 3992 TM 6115 24P 1 AG 320B0 IPE 000 TO 35C2 3 471 4 060188 TM 5 6115 612 34 4 GENERATOR SET AVIATION GAS TURBINE ENG DRIVEN INTEGRAL TRAILER MOUNTED 10KW 28 VOLTS DOD MODEL MEP 36 PRECISE DC NSN 6115 01 161 3992 AG 320B0 MME 000 TM 6115 TO 35C2 3 471 2 060645 LO 5 6115 612 12 AVIATION GENERATOR SET GAS TURBINE ENGINE DRIVEN INTEGRAL TR MOUNTED 10KW 28 VOLTS DC DOD MODEL MEP 362A CLASS PRECISE NSN 6115 01 161 3992 060921 TM 55 1730 229 34 5 POWER UNIT AVIATION MULTI OUTPUT GTED ELECTRICAL HYDRAULIC PNEUMATIC AGPU WHEEL MOUNTED SELF PROPELLED TOWA AC 400HZ 3PH 0 8 PF 115 200V 30 KW DC 28VDC 700 AMPS PNEUMATIC 60 LBS MIN AT 40 PSIG HYDRAULIC 15 GPM AT 3300 PS DOD MODEL MEP 360A CLASS PRECISE 400 HERTZ NSN 1730 01 144 AG 320A0 MME 000 TO 35C2 3 473 2 TM 1730 34 1 060922 TM 55 1730 229 12 8 POWER UNIT AVIATION MULTI OUTPUT GTED ELECTRICAL HYDRAULIC PNEUMATIC AGPU WHEEL MOUNTED SELF PROPELLED TOWABLE AC 400HZ 3PH 0 8 PF 115 200V 30 KW DC 28 VDC 700 AMPS PNEUMATIC 60 LBS M AT 40 PSIG HYDRAULIC 15 GPM AT 3300 PSIG DOD MODEL MEP 360A CLASS PRECISE HERTZ 400 NSN 1730 01 144 1897 AG 320A0 OMM 000 TO 35C2 3 473 1 TM 1730 12 1 061758 LO 5 6115 614 12 GENERATOR SET DIESEL ENGINE DRIVEN TACTICAL SKID MTD 200 KW 3 PHASE 4 WIRE 120 208 AND 240 416 VOLTS MODEL MEP009B UTILI 50 60 HERTZ NSN 6115 01 021 4096 061772 LO 5 6115 622 12 GENERATOR SET DIESEL ENGINE DRIVEN WHEEL MOUNTED 750 KW 3 PH 4 WIRE 2200 3800 AND 2400 4160 VOLTS

CUMMINS ENGINE COMPANY IN MODEL KTA 2300G 2 DOD MODEL MEP 012A CLASS UTILITY HERTZ 062762 LO 5
6115 615 12 GENERATOR SET DIESEL ENGINE DRIVEN TACTICAL SKID MOUNTED 3 K MODEL 016B CLASS UTILITY
MODE 50 60 HZ NSN 6115 01 150 4140 DOD MODEL MEP 021B CLASS UTILITY MODE 400 HZ 6115 01 151 812 DOD
MODEL MEP 026B CLASS UTILITY MODE 28 VDC 6115 01 150 036 LI 05926B 06509B 12 5 P 8 646 LO 064310 TM 5 6115
626 14 TM 1730 24P AG 320A0 IPB 000 065603 TB 5 6115 593 24 WARRANTY PROGRAM FOR GENERATOR SET DOD
MODEL MEP 029A HOUSING K DOD MODEL MEP 029AHK 066727 TM 5 6115 640 14 2 MEP 005A 30 KW 60 HZ GEN
SETS 2 M200A1 2 WHEEL 4 TIRE MODIFIED TRAILERS 066809 TM 5 6115 630 14 MEP 104A PRECISE 50 60 HERTZ 6115
00 118 1247 MEP 114A PRECISE 400 HERTZ 6115 00 118 INCLUDING AUXILIARY EQUIPMENT MEP 005AWF
WINTERIZATION KIT FUE BURNING 6115 00 463 9083 MEP 005AWE WINTERIZATION KIT ELEC 6115 00 067310 TM 9
6115 650 14 DOD MODEL MEP 104A 6115 00 118 1245 DOD MODEL MEP 113A 6115 00 118 1244 069954 TM 9 6115 465
24P 2 GENERATOR SET DIESEL ENGINE DRIVE TACTICAL SKID MTD 30KW 3 PHASE 4 WIRE 120 208 AND 240 416 V
MODELS MEP 005A UTILITY 50 60 HZ NSN 6115 00 118 1240 MEP 104A PRECISE 50 60 HZ 6115 00 118 1247 MEP 114A
PRECISE 400 H 6115 00 118 1248 INCLUDING OPTIONAL KITS DOD MODELS MEP 00 WINTERIZATION KIT FUEL
BURNING 6115 00 463 9083 MEP 005 AW WINTERIZATION KIT ELECTRIC 6115 00 463 9085 MEP 002 ALM L BANK KIT
6115 00 463 9088 MEP 005 AWM WHEEL MOUNTING KIT 6115 00 463 9094 TO 35C2 3 070096 TM 9 6115 464 24P 1
GENERATOR S DIESEL ENGINE DRIVEN TACTICAL SKID MTD 15KW 3 PHASE 4 WIRE 120 208 AND 240 416 VOLTS DOD
MODEL MEP 004A UTILITY CLASS 50 60 HERTZ NSN 6115 00 118 1241 DOD MODEL MEP 103A PRECISE CLASS 50 60
HERTZ 6115 00 118 1245 DOD MODEL MEP 113A PRECI CLASS 400 HERTZ 6115 00 118 1244 INCLUDING OPTIONAL
KITS DOD MODEL MEP 005 AWF WINTERIZATION KIT FUEL BURNING 6115 00 463 DOD MODEL MEP 005 AWE
WINTERIZATION KIT ELECTRIC 6615 00 46 DOD MODEL MEP 004 ALM LOAD BANK KIT 6115 00 191 9201 071025 TM 9
6115 641 10 2 GENERATOR SET SKID MOUNTED TACTICAL QUIET 5 KW 60 AND 400 HZ MEP 802A 60 HZ NSN 6115 01
274 7387 MEP 812A 400 HZ 6115 01 274 7391 TO 35C2 3 456 11 071026 TM 9 6115 642 10 2 GENERATOR SET SKID
MOUNTED TACTICAL QUIE 10 KW 60 AND 400 HZ MEP 803A 60 HZ NSN 6115 01 275 5061 MEP 813A 400 HZ 6115 01
274 7392 TO 35C2 3 455 11 TM 09247A 09248A 10 1 071028 TM 9 6115 643 10 3 GENERATOR SET SKID MOUNTED
TACTICAL QUI 15 KW 50 60 AND 400 HZ MEP 804A 50 60 HZ NSN 6115 01 274 73 MEP 814A 400 HZ 6115 01 274 7393
TO 35C2 3 445 21 071029 TM 9 6115 644 10 2 GENERATOR SET SKID MOUNTED TACTICAL QUIET 30 KW 50 60 AND 400
HZ MEP 805A 50 60 HZ NSN 6115 01 274 7389 MEP 815A 400 HZ 6115 01 274 7394 TO 35C2 3 446 11 TM 09249A 09246A
10 1 071030 TM 9 6115 645 10 2 GENERATOR SET SKID MOUNTED TACTICAL QUIET 60 KW 50 60 AND 400 HZ MEP
806A 50 60 HZ NSN 6115 01 274 7390 MEP 816A 400 HZ 6115 01 274 7395 TO 35C2 3 444 11 TM 09244A 09245A 10 1
071031 LO 9 6115 641 12 GENERATOR SET SKID MOUNTED TACTICAL QUIET 5 KW 60 AND 400 HZ MEP 802A TACTICAL

QUIET 60 HZ NSN 6115 01 274 7387 MEP 812A TACTICAL QUIET 400 HZ 6115 01 274 7391 071032 LO 9 6115 642 12
GENERATOR SET SKID MOUNTED TACTICAL QUIET 10 KW 60 AND 400 H MEP 803A TACTICAL QUIET 60 HZ NSN 6115
01 275 5061 MEP 813A TACTICAL QUIET 400 HZ 6115 01 274 7392 071033 LO 9 6115 643 12 GENERATOR SET SKID
MOUNTED TACTICAL QUIET 15 KW 50 60 400 HZ MEP 804A TACTICAL QUIET 50 60 HZ NSN 6115 01 274 7388 MEP 814
TACTICAL QUIET 400 HZ 6115 01 274 7393 071034 LO 9 6115 644 12 GENERATOR SET SKID MOUNTED TACTICAL
QUIET 30 KW 50 60 AND 40 MEP 805A TACTICAL QUIET 50 60 HZ NSN 6115 01 274 7389 MEP 815 TACTICAL QUIET 400
HZ 6115 01 274 7394 LI 09249A 09246A 12 071035 LO 9 6115 645 12 GENERATOR SET SKID MOUNTED TACTICAL QUIET
60 KW 50 60 AND 40 MEP 806A TACTICAL QUIET 50 60 HZ NSN 6115 01 274 7390 MEP 816 TACTICAL QUIET 400 HZ
6115 01 274 7395 LI 09244A 09245A 12 071036 TB 9 6115 641 24 WARRANTY PROGRAM FOR GENERATOR SET
TACTICAL QUIET 5 KW 60 AND 400 HZ MEP 802A AND MEP 812A 071037 TB 9 6115 642 24 WARRANTY PROGRAM FOR
GENERATOR SET TACTICAL QUIET 10 KW 60 AND 400 HZ MEP 803A AND MEP 813A SI 09247A 09248A 24 071038 TB 9
6115 643 24 WARRANTY PROGRAM FOR GENERATOR SET TACTICAL QUIET 15 KW 50 60 AND 400 HZ MEP 804A AND
MEP 814A 071039 TB 9 6115 644 24 WARRANTY PROGRAM FOR GENERATOR SET TACTICAL QUIET 30 KW 50 60 AND
400 HZ MEP 805A AND MEP 815A SI 09249A 09246A 24 071040 TB 9 6115 645 24 WARRANTY PROGRAM FOR
GENERATOR SET TACTICAL QUIET 60 KW 50 60 AND 400 HZ MEP 806A AND MEP 816A SI 09244A 09245A 24 071541 TM
9 6115 464 12 2 GENERATOR SET DIESEL ENGINE DRIVEN TACTICAL SKID MTD 15 KW 3 PHASE 4 WIRE 120 2 AND 240
416 VOLTS DOD MODEL MED 004A UTILITY CLASS 50 60 HERTZ NSN 6115 00 118 1241 DOD MODEL MEP 103A
PRECISE CLASS 50 60 HERTZ 6115 00 118 1245 DOD MODEL MEP 113A PRECISE CLASS 400 HERTZ 6115 00 118 1244
INCLUDING OPTIONAL KITS DOD MODEL MEP 005 AWF WINTERIZATION KIT FUEL BURNING 6115 00 463 9083 DOD
MODEL MEP 005 AWE WINTERIZATION KIT ELECTRIC 6115 00 463 9085 DOD MODEL MEP 004 ALM LOAD BANK KIT
6115 00 291 071604 TM 9 6115 645 24P GENERATOR SET TACTICAL QUIET 60KW 50 60 400 HZ NSN 6115 01 274 7390
MEP 806A 6115 01 274 7395 MEP 816A TO 35C2 3 444 14 TM 09244A 09245A 24P 3 071605 TM 9 6115 642 24P
GENERATOR SET TACTICAL QUIET 10 KW 60 400 HZ NSN 6115 01 275 5061 MEP 803A 6115 01 274 7392 MEP 813A TO
35C2 3 455 14 TM 09247A 09248A 24P 3 071610 TM 9 6115 643 24P GENERATOR SET TACTICAL QUIET 15KW 50 60 400
HZ NSN 6115 01 274 7388 MEP 804A 6115 01 274 7393 MEP 814A TO 35C2 3 445 24 071611 TM 9 6115 644 24P
GENERATOR SET TACTICAL QUIET 30KW 50 60 400 HZ NSN 6115 01 274 7389 MEP 805A 6115 01 274 7394 MEP 815A
TO 35C2 3 446 14 TM 09249A 09246A 24P 3 071613 TM 9 6115 641 24P GENERATOR SET TACTICAL QUIET 5 KW 60 400
HZ NSN 6115 01 274 7387 MEP 802A 6115 01 274 7391 MEP 812A TO 35C2 3 456 14 071713 TM 9 6115 645 24 4
GENERATOR SET SKID MOUNTED TACTICAL QUIET 60KW 50 60 AND 400 HZ MEP 806A 50 60 HZ NSN 6115 01 274 7390
MEP 816A 400 HZ 6115 01 274 7395 TO 35C2 3 444 12 TM 09244A 09245A 24 2 071748 TM 9 6115 644 24 1 GENERATOR

SET SKID MOUNTED TACTICAL QUIET 30 KW 50 60 AND 400 HZ MEP 805A 50 60 HZ NSN 6115 01 274 7389 MEP 815A 400 HZ 6115 01 274 7394 TO 35C2 3 446 12 TM 09249A 09246A 24 2 071749 TM 9 6115 643 24 4 GENERATOR SET SKID MOUNTED TACTICAL QUIET 15 KW 50 60 AND 400 HZ MEP 804A 50 60 HZ NSN 6115 01 274 7388 MEP 814A 400 HZ 6115 01 274 7393 TO 35C2 3 445 22 071750 TM 9 6115 642 24 4 GENERATOR SET SKID MOUNTED TACTICAL QUIET 10 KW 60 AND 400 HZ MEP 803A 60 HZ NSN 6115 01 275 5061 MEP 813A 400 HZ 6115 01 274 7392 TO 35C2 3 455 12 TM 09247A 09248A 24 2 071751 TM 9 6115 641 24 3 GENERATOR SET SKID MOUNTED TACTICAL QUIET 5 KW 60 AND 400 HZ MEP 802A 60 HZ NSN 6115 01 274 7387 MEP 812A 400 HZ 6115 01 274 7391 TO 35C2 3 456 12 072239 TM 9 6115 464 34 1 GENERATOR SET DIESEL ENGINE DRIVEN TACTICAL SKID MTD 15 KW 3 PHASE 4 WIRE 120 208 AND 240 416 VOLTS DOD MODEL MEP 004A UTILITY CLASS 50 60 HERTZ NSN 6115 00 118 1241 DOD MODEL MEP 103A PRECISE CLASS 50 60 HERTZ 6115 00 118 1245 DOD MODEL MEP 113A PRECISE CLASS 400 HERTZ 6115 00 118 1244 INCLUDING OPTIONAL KITS DOD MODEL MEP 005AWF WINTERIZATION KIT FUEL BURNING 6115 00 463 9083 DOD MODEL MEP 005AWE WINTERIZAT KIT ELECTRIC 6115 00 463 9085 DOD MODEL MEP 004ALM LOAD BANK KIT 6115 00 291 920 073744 TM 9 6115 604 24P 1 GENERATOR SET DIESEL ENGINE DRIVEN AIR TRANSPORTABLE SKID MOUNTED 750KW 3 PHASE 4 WIRE 2400 4160 AND 2200 3800 VOLTS DOD MODEL MEP208A PRIME UTILITY CLASS 50 60 HERTS NSN 6115 00 450 5881 DOD MODEL 80 1466 REMOTE CONTROL MODULE CLASS 6115 01 150 5284 DOD MODEL 80 7320 SITE REQUIREMENTS MODULE CLASS 6115 01 150 5 NAVFAC P 8 633 24P 074040 TM 9 6115 545 24P GENERATOR SET DIESEL ENGINE DRIVEN TAC SKID MTD 60 KW 3 PHASE 4 WIRE 120 208 AND 240 416 VOLTS D MODELS MEP 006A UTILITY CLASS 50 60 H Z NSN 6115 00 118 124 MEP 105A PRECISE CLASS 50 60 H Z 6115 00 118 1252 MEP 115 PRECISE CLASS 400 H Z 6115 00 118 1253 INCLUDING OPTIONAL K DOD MODELS MEP 006AWF WINTERIZATION FUEL BURNING 6115 00 407 MEP 006AWE WINTERIZATION KIT ELECTRIC 6115 00 455 7693 ME LOAD BANK KIT 6115 00 407 8322 AND MEP 006AWM WHEEL MOUNTI 6115 00 463 9092 TO 074212 TM 9 6115 604 12 GENERATOR SET DIESEL DRIVEN AIR TRANSPORTABLE SKID MTD 750 KW 3 PHASE 4 WIRE 24 AND 2200 3800 V DOD MODEL MEP 208A CLASS PRIME UTILITY HZ 50 NSN 6115 00 450 5881 NAVFAC P 8 633 12 074896 TM 9 6115 604 34 GENERATOR SET DIESEL ENGINE DRIVEN AIR TRANSPORTABLE SKID MTD 750 KW 3 PHASE 4 WIRE 2400 4160 AND 2200 3800 VOLTS DOD MODEL MEP 208A PRIME UTILITY CLASS 50 60 HERTZ NSN 6115 00 450 5881 NAVFAC P 8 633 34 075027 TM 9 6115 584 24P 1 GENERATOR SET DIESEL E DRIVEN TACTICAL SKID MTD 5 KW 1 PHASE 2 WIRE 1 PHASE 3 WIR 3 PHASE 4 WIRE 120 120 240 AND 120 208 VOLTS DOD MODEL MEP UTILITY CLASS 60 HZ NSN 6115 00 465 1044 NAVFAC P 8 622 24P TO 35C2 3 456 4 077581 TM 9 6115 673 13 P 2KW MILITARY TACTICAL GENERATOR SET 120 VAC 60 HZ NSN 6115 01 435 1565 MEP 531A EIC LKA NSN 6115 21 912 0393 MECHRON 28 VDC NSN 6115 01 435 1567 MEP 501A EIC LKD NSN 6115 21 912 0392 MECHRON 078167 TM 9 6115 672 14 GENERATOR SET SKID MOUNTED

TACTICAL QUIET 60KW 50 60 AND 400 HZ MEP 806B 50 60 HZ NSN 6115 01 462 0291 EIC GGW MEP 816B 400 HZ NSN 6115 01 462 0292 EIC GGX 078443 TM 9 6115 639 13 1 3KW TACTICAL QUIET GENERATOR SET MEP 831A 60 HZ NSN 6115 01 285 3012 EIC VG6 MEP 832A 400 HZ NSN 6115 01 287 2431 EIC VN7 078490 TM 9 6115 671 14 OPERATOR UNIT GENERATOR SET SKID MOUNTED TACTICAL QUIET 30 KW 50 60 AND 400 HZ MEP 805B 50 60 HZ NSN 6115 01 461 9335 EIC GGU MEP 815B 400 HZ 6115 01 462 0290 EIC GGV 078503 TM 9 6115 671 24P GENERATOR SET SKID MOUNTED TACTICAL QUIET 30 KW 50 60 AND 400 HZ MEP 805B 50 60 HZ NSN 6115 01 461 9335 EIC GGU MEP 815B 400 HZ NSN 6115 01 462 0290 EIC GGV 078504 TM 9 6115 672 24P GENERATOR SET SKID MOUNTED TACTICAL QUIET 60 KW 50 60 AND 400 HZ MEP 806B 50 60 HZ NSN 6115 01 462 0291 EIC GGW MEP 816B 400 HZ NSN 6115 01 462 0292 EIC GGX 078505 TB 9 6115 671 24 WARRANTY PROGRAM FOR GENERATOR SET TACTICAL QUIET 30KW 50 60 AND 400 HZ MEP 805B AND MEP 815B PROCURED UNDER CONTRACT DAAK01 96 D 00620WITH MCII INC 078506 TB 9 6115 672 24 WARRANTY PROGRAM FOR GENERATOR SET TACTICAL QUIET 30KW 50 60 AND 400 HZ MEP 806B AND MEP 816B PROCURED UNDER CONTRACT DAAK01 96 D 00620WITH MCII INC 078523 TM 9 6115 664 13 P 5KW 28VDC AUXILIARY POWER UNIT APU MEP 952B NSN 6115 01 452 6513 EIC N A 078878 TM 9 6115 639 23P 3KW TACTICAL QUIET GENERATOR SET MEP 831A 60 HZ NSN 6115 01 285 3012 EIC VG6 MEP 832A 400 HZ NSN 6115 01 287 2431 EIC VN7 079379 TB 9 6115 641 13 WINTERIZATION KIT NSN 6115 01 476 8973 INSTALLED ON GENERATOR SET SKID MOUNTED TACTICAL QUIET 5KW 60 AND 400 HZ MEP 802A 600HZ 6115 01 274 7387 MEP 812A 400HZ 6115 01 274 7391 079460 TB 9 6115 642 13 WINTERIZATION KIT NSN 6115 01 477 0564 EIC N A INSTALLED ON GENERATOR KIT SKID MOUNTED TACTICAL QUIET 10KW 60 AND 400 HZ MEP 803A 60HZ 6115 01 275 0561 MEP 813A 400HZ 6115 01 274 7392 079461 TB 9 6115 643 13 WINTERIZATION KIT NSN 6115 477 0566 INSTALLED ON GENERATOR SET SKID MOUNTED TACTICAL QUIET 15KW 50 60 AND 400 HZ MEP 804A 50 60HZ 6115 01 274 7388 MEP 814A 400HZ 6115 01 274 7393 079462 TB 9 6115 644 13 WINTERIZATION KIT NSN 6115 01 474 8354 EIC N A INSTALLED ON GENERATOR SET SKID MOUNTED 30KW 50 60 AND 400 HZ MEP 805A 50 60HZ NSN 6115 01 274 7389 MEP 815A 400HZ NSN 611501 274 7394 079463 TB 9 6115 645 13 WINTERIZATION KIT NSN 6115 01 474 8344 EIC N A INSTALLED ON GENERATOR SET SKID MOUNTED TACTICAL QUIET 60KW 50 60 AND 400 HZ MEP 806A 50 60HZ 6115 01 274 7390 MEP 816A 400HZ 6115 01 274 7395 080214 TM 9 6115 670 14 P AUXILIARY POWER UNIT 20KW 120 240 VAC 60 HZ MODEL NO MEP 903A SICPS NSN 6115 01 431 3062 MODEL NUMBER MEP 903B JTACS NSN 6115 01 431 3063 MODEL NO MEP 903C9WIN T NSN 6115 01 458 5329 EIC N A

DA Pam ,1967 [Agricultural Equipment Technology](#) United States. Office of Education,Walter J. Brooking,1970 **4-H Small Engines, Leader's Guide** ,1967 **Popular Mechanics** ,1990-07 Popular Mechanics inspires instructs and influences readers to help them master the modern world Whether it s practical DIY home improvement tips gadgets and digital technology information on the newest cars or the latest breakthroughs in science PM is

the ultimate guide to our high tech lifestyle **Popular Science** ,1977-05 Popular Science gives our readers the information and tools to improve their technology and their world The core belief that Popular Science and our readers share The future is going to be better and science and technology are the driving forces that will help make it better

Unveiling the Magic of Words: A Overview of "**Briggs Stratton Master Repair Manual Collection**"

In some sort of defined by information and interconnectivity, the enchanting power of words has acquired unparalleled significance. Their capability to kindle emotions, provoke contemplation, and ignite transformative change is really awe-inspiring. Enter the realm of "**Briggs Stratton Master Repair Manual Collection**," a mesmerizing literary masterpiece penned with a distinguished author, guiding readers on a profound journey to unravel the secrets and potential hidden within every word. In this critique, we shall delve in to the book is central themes, examine its distinctive writing style, and assess its profound impact on the souls of its readers.

<https://stats.tinkerine.com/About/publication/default.aspx/anticipation%20guide%20for%20plant%20life%204th%20grade.pdf>

Table of Contents Briggs Stratton Master Repair Manual Collection

1. Understanding the eBook Briggs Stratton Master Repair Manual Collection
 - The Rise of Digital Reading Briggs Stratton Master Repair Manual Collection
 - Advantages of eBooks Over Traditional Books
2. Identifying Briggs Stratton Master Repair Manual Collection
 - Exploring Different Genres
 - Considering Fiction vs. Non-Fiction
 - Determining Your Reading Goals
3. Choosing the Right eBook Platform
 - Popular eBook Platforms
 - Features to Look for in an Briggs Stratton Master Repair Manual Collection
 - User-Friendly Interface
4. Exploring eBook Recommendations from Briggs Stratton Master Repair Manual Collection
 - Personalized Recommendations
 - Briggs Stratton Master Repair Manual Collection User Reviews and Ratings
 - Briggs Stratton Master Repair Manual Collection and Bestseller Lists

5. Accessing Briggs Stratton Master Repair Manual Collection Free and Paid eBooks
 - Briggs Stratton Master Repair Manual Collection Public Domain eBooks
 - Briggs Stratton Master Repair Manual Collection eBook Subscription Services
 - Briggs Stratton Master Repair Manual Collection Budget-Friendly Options
6. Navigating Briggs Stratton Master Repair Manual Collection eBook Formats
 - ePub, PDF, MOBI, and More
 - Briggs Stratton Master Repair Manual Collection Compatibility with Devices
 - Briggs Stratton Master Repair Manual Collection Enhanced eBook Features
7. Enhancing Your Reading Experience
 - Adjustable Fonts and Text Sizes of Briggs Stratton Master Repair Manual Collection
 - Highlighting and Note-Taking Briggs Stratton Master Repair Manual Collection
 - Interactive Elements Briggs Stratton Master Repair Manual Collection
8. Staying Engaged with Briggs Stratton Master Repair Manual Collection
 - Joining Online Reading Communities
 - Participating in Virtual Book Clubs
 - Following Authors and Publishers Briggs Stratton Master Repair Manual Collection
9. Balancing eBooks and Physical Books Briggs Stratton Master Repair Manual Collection
 - Benefits of a Digital Library
 - Creating a Diverse Reading Collection Briggs Stratton Master Repair Manual Collection
10. Overcoming Reading Challenges
 - Dealing with Digital Eye Strain
 - Minimizing Distractions
 - Managing Screen Time
11. Cultivating a Reading Routine Briggs Stratton Master Repair Manual Collection
 - Setting Reading Goals Briggs Stratton Master Repair Manual Collection
 - Carving Out Dedicated Reading Time
12. Sourcing Reliable Information of Briggs Stratton Master Repair Manual Collection
 - Fact-Checking eBook Content of Briggs Stratton Master Repair Manual Collection
 - Distinguishing Credible Sources
13. Promoting Lifelong Learning

- Utilizing eBooks for Skill Development
- Exploring Educational eBooks

14. Embracing eBook Trends

- Integration of Multimedia Elements
- Interactive and Gamified eBooks

Briggs Stratton Master Repair Manual Collection Introduction

Briggs Stratton Master Repair Manual Collection Offers over 60,000 free eBooks, including many classics that are in the public domain. Open Library: Provides access to over 1 million free eBooks, including classic literature and contemporary works. Briggs Stratton Master Repair Manual Collection Offers a vast collection of books, some of which are available for free as PDF downloads, particularly older books in the public domain. Briggs Stratton Master Repair Manual Collection : This website hosts a vast collection of scientific articles, books, and textbooks. While it operates in a legal gray area due to copyright issues, its a popular resource for finding various publications. Internet Archive for Briggs Stratton Master Repair Manual Collection : Has an extensive collection of digital content, including books, articles, videos, and more. It has a massive library of free downloadable books. Free-eBooks Briggs Stratton Master Repair Manual Collection Offers a diverse range of free eBooks across various genres. Briggs Stratton Master Repair Manual Collection Focuses mainly on educational books, textbooks, and business books. It offers free PDF downloads for educational purposes. Briggs Stratton Master Repair Manual Collection Provides a large selection of free eBooks in different genres, which are available for download in various formats, including PDF. Finding specific Briggs Stratton Master Repair Manual Collection, especially related to Briggs Stratton Master Repair Manual Collection, might be challenging as theyre often artistic creations rather than practical blueprints. However, you can explore the following steps to search for or create your own Online Searches: Look for websites, forums, or blogs dedicated to Briggs Stratton Master Repair Manual Collection, Sometimes enthusiasts share their designs or concepts in PDF format. Books and Magazines Some Briggs Stratton Master Repair Manual Collection books or magazines might include. Look for these in online stores or libraries. Remember that while Briggs Stratton Master Repair Manual Collection, sharing copyrighted material without permission is not legal. Always ensure youre either creating your own or obtaining them from legitimate sources that allow sharing and downloading. Library Check if your local library offers eBook lending services. Many libraries have digital catalogs where you can borrow Briggs Stratton Master Repair Manual Collection eBooks for free, including popular titles. Online Retailers: Websites like Amazon, Google Books, or Apple Books often sell eBooks. Sometimes, authors or publishers offer promotions or free periods for certain books. Authors Website Occasionally, authors provide excerpts or short stories for free on their websites. While this might not be the Briggs Stratton

Master Repair Manual Collection full book , it can give you a taste of the authors writing style. Subscription Services Platforms like Kindle Unlimited or Scribd offer subscription-based access to a wide range of Briggs Stratton Master Repair Manual Collection eBooks, including some popular titles.

FAQs About Briggs Stratton Master Repair Manual Collection Books

How do I know which eBook platform is the best for me? Finding the best eBook platform depends on your reading preferences and device compatibility. Research different platforms, read user reviews, and explore their features before making a choice. Are free eBooks of good quality? Yes, many reputable platforms offer high-quality free eBooks, including classics and public domain works. However, make sure to verify the source to ensure the eBook credibility. Can I read eBooks without an eReader? Absolutely! Most eBook platforms offer webbased readers or mobile apps that allow you to read eBooks on your computer, tablet, or smartphone. How do I avoid digital eye strain while reading eBooks? To prevent digital eye strain, take regular breaks, adjust the font size and background color, and ensure proper lighting while reading eBooks. What the advantage of interactive eBooks? Interactive eBooks incorporate multimedia elements, quizzes, and activities, enhancing the reader engagement and providing a more immersive learning experience. Briggs Stratton Master Repair Manual Collection is one of the best book in our library for free trial. We provide copy of Briggs Stratton Master Repair Manual Collection in digital format, so the resources that you find are reliable. There are also many Ebooks of related with Briggs Stratton Master Repair Manual Collection. Where to download Briggs Stratton Master Repair Manual Collection online for free? Are you looking for Briggs Stratton Master Repair Manual Collection PDF? This is definitely going to save you time and cash in something you should think about. If you trying to find then search around for online. Without a doubt there are numerous these available and many of them have the freedom. However without doubt you receive whatever you purchase. An alternate way to get ideas is always to check another Briggs Stratton Master Repair Manual Collection. This method for see exactly what may be included and adopt these ideas to your book. This site will almost certainly help you save time and effort, money and stress. If you are looking for free books then you really should consider finding to assist you try this. Several of Briggs Stratton Master Repair Manual Collection are for sale to free while some are payable. If you arent sure if the books you would like to download works with for usage along with your computer, it is possible to download free trials. The free guides make it easy for someone to free access online library for download books to your device. You can get free download on free trial for lots of books categories. Our library is the biggest of these that have literally hundreds of thousands of different products categories represented. You will also see that there are specific sites catered to different product types or categories, brands or niches related with Briggs Stratton Master Repair Manual Collection. So depending on

what exactly you are searching, you will be able to choose e books to suit your own need. Need to access completely for Campbell Biology Seventh Edition book? Access Ebook without any digging. And by having access to our ebook online or by storing it on your computer, you have convenient answers with Briggs Stratton Master Repair Manual Collection To get started finding Briggs Stratton Master Repair Manual Collection, you are right to find our website which has a comprehensive collection of books online. Our library is the biggest of these that have literally hundreds of thousands of different products represented. You will also see that there are specific sites catered to different categories or niches related with Briggs Stratton Master Repair Manual Collection So depending on what exactly you are searching, you will be able to choose ebook to suit your own need. Thank you for reading Briggs Stratton Master Repair Manual Collection. Maybe you have knowledge that, people have search numerous times for their favorite readings like this Briggs Stratton Master Repair Manual Collection, but end up in harmful downloads. Rather than reading a good book with a cup of coffee in the afternoon, instead they juggled with some harmful bugs inside their laptop. Briggs Stratton Master Repair Manual Collection is available in our book collection an online access to it is set as public so you can download it instantly. Our digital library spans in multiple locations, allowing you to get the most less latency time to download any of our books like this one. Merely said, Briggs Stratton Master Repair Manual Collection is universally compatible with any devices to read.

Find Briggs Stratton Master Repair Manual Collection :

[anticipation guide for plant life 4th grade](#)

anthropologie arbeit ethnographischer vergleich german

~~answers to discussion questions orphan train~~

anthem unit test answers

antique american tractor and crawler value guide

antique maps 2010 calendar

answers to verifying angle relationships study guide

[answers to biology study guide holt](#)

answers to mcgraw hill physiology case studies

antonio carraro tractor manual

~~anticipation guide lesson plan~~

~~anthology of italian opera mezzo soprano~~

[antwoorden getal en ruimte havo 3 hoofdstuk 5](#)

~~anton chrkov 100 selected stories~~

antsy does time antsy bonano

Briggs Stratton Master Repair Manual Collection :

amazon com bitter end 9780316086967 brown jennifer books - Jul 14 2023

web may 15 2012 check out more powerful stories from acclaimed author jennifer brown a powerful story about grief friendship and forgiveness in the aftermath of a school shooting follow up to the hate list that explores an evocative new narrative while digging deeper into the themes of the first novel

bitter end on apple books - Jul 02 2022

web may 10 2011 as in the hate list brown demonstrates an expert ability to handle difficult subject matter cole s brutal abuse and manipulations alex s inability to disclose her battering and her willingness to make excuses for cole and bethany and zack s frustration and fear all feel entirely authentic

bitter end brown jennifer amazon ca books - Oct 05 2022

web may 15 2012 bitter end perfect escape thousand words torn away check out more powerful stories from acclaimed author jennifer brown a powerful story about grief friendship and forgiveness in the aftermath of a school shooting follow up to the hate list that explores an evocative new narrative while digging deeper into the themes of the first

[bitter end kirkus reviews](#) - Jan 08 2023

web may 1 2011 by jennifer brown release date may 1 2011 the anatomy an abusive relationship at 17 alex still mourns the mysterious accidental death of her mother years ago and yearns for affection or even just more than a trailed off half sentence from her emotionally absent father

bitter end 9780316134149 9780316134149 vitalsource - Apr 30 2022

web bitter end is written by jennifer brown and published by little brown bks young readers the digital and etextbook isbn s for bitter end are 9780316134149 0316134147 and the print isbn s are 9780316134149 0316134147

summary and reviews of bitter end by jennifer brown - Aug 03 2022

web book summary when alex falls for the charming new boy at school cole a handsome funny sports star who adores her she can t believe she s finally found her soul mate someone who truly loves and understands her at first alex is blissfully happy

bitter end by brown jennifer hardcover hardcover amazon com - Jun 01 2022

web jan 1 2011 bitter end by brown jennifer hardcover brown on amazon com free shipping on qualifying offers bitter end by brown jennifer hardcover

[bitter end by jennifer brown publishers weekly](#) - Nov 06 2022

web bitter end jennifer brown little brown 17 99 368p isbn 978 0 316 08695 0 haunted by the death of her mother many

years earlier in a car accident alex has long dreamed of visiting
[bitter end by jennifer brown books on google play](#) - Dec 07 2022

web bitter end ebook written by jennifer brown read this book using google play books app on your pc android ios devices
download for offline reading highlight bookmark or take notes

[bitter end by jennifer brown everyday reading](#) - Dec 27 2021

web bitter end by jennifer brown alex is the middle daughter in her family of three girls her mom left going to colorado for
reasons alex doesn t know when alex was fairly young and died in a car crash since then her father has been extremely
withdrawn leaving the girls to mainly fend for themselves especially emotionally

[bitter end brown jennifer 1972 free download borrow and](#) - May 12 2023

web bitter end by brown jennifer 1972 publication date 2012 topics dating violence fiction best friends fiction friendship
fiction grief fiction mothers fiction publisher new york little brown collection inlibrary printdisabled internetarchivebooks
digitizing sponsor kahle austin foundation contributor

[bitter end quotes by jennifer brown goodreads](#) - Feb 26 2022

web bitter end quotes showing 1 7 of 7 his eyes searching deep into mine felt like danger and safety all rolled into one
jennifer brown bitter end 23 likes like because i love you and i hurt you i hurt the person i love most in the world and i will
never forgive myself jennifer brown bitter end tags abuse alex cole hurt love

bitter end by jennifer brown goodreads - Aug 15 2023

web bitter end jennifer brown 3 90 7 657 ratings807 reviews when alex falls for the charming new boy at school cole a
handsome funny sports star who adores her she can t believe she s finally found her soul mate someone who truly loves and
understands her at first alex is blissfully happy

bitter end by jennifer brown overdrive ebooks audiobooks - Jan 28 2022

web may 10 2011 bitter end ebook by jennifer brown read a sample sign up to save your library with an overdrive account
you can save your favorite libraries for at a glance information about availability find out more about overdrive accounts save
not today format ebook isbn 9780316086950 author jennifer brown

bitter end by jennifer brown hachette book group - Apr 11 2023

web jennifer brown writes and lives in the kansas city missouri area with her family she is the author of hate list torn away
thousand words perfect escape and bitter end learn more about this author

bitter end by jennifer brown paperback barnes noble - Feb 09 2023

web may 15 2012 he told me he loved me and i believed him when alex falls for the charming new boy at school cole a
handsome funny sports star who adores her she can t believe she s finally found her soul mate someone who truly loves and

understands her at first alex is blissfully happy

bitter end brown jennifer amazon co uk books - Sep 04 2022

web bitter end is a novel that stands out from the norm tackling a subject that is unfortunately all too common today abuse in relationships as the book synopsis points out cole turns into an abuser reading this novel armed with this knowledge you find yourself pointing out all these little clues the come up in the first part of the book

bitter end by jennifer brown alibris - Mar 30 2022

web buy bitter end by jennifer brown online at alibris we have new and used copies available in 2 editions starting at 0 99 shop now all editions of bitter end 2012 trade paperback isbn 13 9780316086967 2011 hardcover isbn 13 9780316086950 books by jennifer brown

bitter end jennifer brown free download borrow and - Jun 13 2023

web bitter end by jennifer brown publication date 2011 publisher little brown collection inlibrary printdisabled internetarchivebooks delawarecountydistrictlibrary americana

bitter end jennifer brown google books - Mar 10 2023

web may 10 2011 little brown books for young readers may 10 2011 young adult fiction 368 pages when alex falls for the charming new boy at school cole a handsome funny sports star who adores her

dialogue avec l insensa c a la recherche d une au pdf - Oct 11 2022

web aug 18 2023 dialogue avec l insensa c a la recherche d une au 2 6 downloaded from uniport edu ng on august 18 2023 by guest las historias de la literatura española en la francia del siglo xix maría del rosario Álvarez rubio 2007 grand dictionnaire françois italien composé sur les dictionnaires de l académie de france et de la

dialogue avec l insensa c a la recherche d une au pdf - Dec 13 2022

web jun 19 2023 dialogue avec l insensa c a la recherche d une au 1 8 downloaded from uniport edu ng on june 19 2023 by guest dialogue avec l insensa c a la recherche d une au thank you categorically much for downloading dialogue avec l insensa c a la recherche d une au most likely you have knowledge that people have look numerous

traduction en français exemples italien reverso context - May 06 2022

web tu as une fois commis une telle erreur auparavant et jusqu à présent nous subissons encore les conséquences de ta conduite insensée tuttavia questo tribunale ha i mezzi per abbattere la vostra insensata resistenza

dialogue avec l insensa c a la recherche d une au pdf - Feb 15 2023

web mar 19 2023 dialogue avec l insensa c a la recherche d une au 2 5 downloaded from uniport edu ng on march 19 2023 by guest como de su problemtica relacin con la vigencia del valor de la igualdad y del principio de no discriminacin en el ordenamiento de la unin elenchus of biblica robert north 1992 general catalogue of printed books to 1955

l interrogation blogger - Feb 03 2022

web dec 3 2017 l interrogation l interrogation yani soru sorma fransızca da 3 farklı şekilde yapılır Şimdi bunlar nelermiş bi göz atalım 1 intonation tonlama ile soru sormaktır cümleyi düz cümle şekilde sesimizle tonlayarak sorarız vous voulez boire du thé Çay içmek ister misiniz

dialogue avec l insensa c a la recherche d une au - Apr 17 2023

web dialogue avec l insensa c a la recherche d une au bulletin mensuel d information may 12 2021 histoires du livre nov 05 2020 recherches pour le développement dans le bassin méditerranéen sep 27 2022 recherche pour le développement de la traction animale en afrique de l ouest feb 01 2023

dialogue avec l insensa c a la recherche d une au pdf usa - Jul 08 2022

web dialogue avec l insensa c a la recherche d une au 1 dialogue avec l insensa c a la recherche d une au boletín bibliográfico cuadernos literarios n 11 razón y fe borderlands bernanos et le brésil elenchus of biblica escal vigor la rivelazione della vita cinemas d amerique latine literatura del siglo xx y cristianismo la esperanza en dios

traduction en français exemples italien reverso context - Apr 05 2022

web ceux qui plaident pour plus d argent au niveau européen verraient leur tâche facilitée si nous savions que nous disposons d un accord en béton quant à la destination réelle de l argent credo sia importante ricordare qui sinteticamente alcuni punti sui quali abbiamo raggiunto una buona intesa e spero buoni risultati

dialogue avec l insensa c a la recherche d une au - Nov 12 2022

web skillfully as keenness of this dialogue avec l insensa c a la recherche d une au can be taken as with ease as picked to act the cia world factbook 2014 central intelligence agency 2013 10 08 from afghanistan to zimbabwe the cia world factbook 2014 offers complete and up to date information on the world s nations

dialogue avec l insensa c a la recherche d une au pdf - Aug 09 2022

web may 3 2023 merely said the dialogue avec l insensa c a la recherche d une au is universally compatible past any devices to read world media story of the 16th world trade union congress modernità e tradizione nell avanguardia teatrale contemporanea enea henri balmas 1977 le dialogue philosophique dans la littérature française du seizième

dialogue avec l insensa c a la recherche d une au pdf - Jun 19 2023

web novels like this dialogue avec l insensa c a la recherche d une au but end up in infectious downloads rather than reading a good book with a cup of tea in the afternoon instead they cope with some infectious virus inside their laptop dialogue avec l insensa c a la recherche d une au is available in our book collection an online access to it

dialogue avec l insensa c a la recherche d une au pdf copy - Jul 20 2023

web jun 4 2023 dialogue avec l insensa c a la recherche d une au pdf dialogue avec l insensa c a la recherche d une au pdf is

simple in our digital library an online entry to it is set as public hence you can download it instantly our digital library saves in multipart countries allowing you to get the most less latency times to download any of

[traduction instansa en français dictionnaire italien français](#) - Mar 04 2022

web traduction instansa dans le dictionnaire italien français de reverso voir aussi incostanza installarsi instaurarsi insano conjugaison expressions idiomatiques

[dialogue avec l insensa c a la recherche d une au sylvain](#) - May 18 2023

web dialogue avec l insensa c a la recherche d une au recognizing the pretension ways to acquire this ebook dialogue avec l insensa c a la recherche d une au is additionally useful you have remained in right site to start getting this info acquire the dialogue avec l insensa c a la recherche d une au partner that we have the funds

dialogue avec l insensa c a la recherche d une au pdf - Aug 21 2023

web dialogue avec l insensa c a la recherche d une au pdf thank you very much for downloading dialogue avec l insensa c a la recherche d une au pdf maybe you have knowledge that people have look hundreds times for their chosen books like this dialogue avec l insensa c a la recherche d une au pdf but end up in harmful downloads

dialogue avec l insensa c a la recherche d une au dotnbm - Mar 16 2023

web 4 dialogue avec l insensa c a la recherche d une au 2021 10 21 à la culture si différente de la sienne enfin des témoignages de proches ou d amis évoquent sa vie et son état d esprit dans ces années 1938 1945 qu il aura ainsi passées de l autre côté de la terre aux confins du monde world media story of the 16th world

dialogue avec l insensa c a la recherche d une au pdf - Sep 10 2022

web jun 27 2023 dialogue avec l insensa c a la recherche d une au 1 5 downloaded from uniport edu ng on june 27 2023 by guest dialogue avec l insensa c a la recherche d une au when people should go to the book stores search initiation by shop shelf by shelf it is in point of fact problematic this is why we offer the book compilations in this website

dialogue avec l insensa c a la recherche d une au united - Jan 02 2022

web and install dialogue avec l insensa c a la recherche d une au so simple a winter s promise christelle dabos 2018 10 01 the absorbing first instalment in the bestselling french fantasy series the mirror visitor quartet winner of the grand prix de l imaginaire the cia world factbook 2014 central intelligence agency 2013 10 08 from

traduction insensé dictionnaire français italien larousse - Jun 07 2022

web insensé traduction français italien retrouvez la traduction de insensé mais également des exemples avec le mot insensé

dialogue avec l insensa c a la recherche d une au pdf - Jan 14 2023

web mar 26 2023 web dialogue avec l insensa c a la recherche d une au if you ally obsession such a referred dialogue avec l insensa c a la recherche d une au ebook that will find the money for you worth acquire the 2 extremely best seller from us

currently from several preferred authors if you want to humorous books

et lamarck cra c a darwin ou la revanche de la gi - Jun 02 2022

web 2 *et lamarck cra c a darwin ou la revanche de la gi* 2020 09 17 brain as no more or less than a computer deacon provides a new clarity of vision into the mechanism of mind it injects a renewed sense of adventure into the experience of being

human dictionnaire classique d histoire naturelle psychology press

et lamarck cra c a darwin ou la revanche de la gi pdf - Mar 11 2023

web apr 11 2023 2 *et lamarck cra c a darwin ou la revanche de la gi* 2020 12 08 indeed as with several crop wild relatives beta maritima has been successfully used to improve cultivated beet s genetic resistances against many diseases and pests in fact sugar beet cultivation currently would be impossible in many countries without the recovery

et lamarck cra c a darwin ou la revanche de la gi 2022 - Dec 08 2022

web currently this *et lamarck cra c a darwin ou la revanche de la gi* as one of the most vigorous sellers here will agreed be in the midst of the best options to review *et lamarck cra c a darwin ou la revanche de la gi* downloaded from ol wise edu jo by guest harper emely the symbolic species the co evolution of language and the brain

et lamarck cra c a darwin ou la revanche de la gi arthur comte de - Aug 16 2023

web merely said the *et lamarck cra c a darwin ou la revanche de la gi* is universally compatible with any devices to read mind energy henri bergson 1920 fourteen year old victoria attracts the attention of the boy she likes but discovers her life is still full of problems the inequality of human races arthur comte de gobineau 1915

darwin et lamarck 279 mots etudier - Sep 05 2022

web 279 mots 2 pages montre plus 1 expliquer les idées principales du raisonnement évolutionniste chez lamarck et chez darwin en prenant soin de bien mettre en évidence leurs similitudes et leurs différences 5 points pour ce qui est des principes du raisonnement évolutionniste il y a quelques différences entre les idées de lamarck et

et lamarck créa darwin ou la revanche de la girafe by - Jul 15 2023

web *et lamarck créa darwin ou la revanche de la girafe by fabien gruhier* read online de l origine des esp ces french edition status and trends of caribbean coral reefs charles darwin originea speciilor ed academieii rpr 1957 deleuze nietzsche et la philosophie puf 1962 *et lamarck cra darwin fabien gruhier* annuaire ebook

et lamarck cra c a darwin ou la revanche de la gi - Oct 06 2022

web *et lamarck cra c a darwin ou la revanche de la gi* 1 *et lamarck cra c a darwin ou la revanche de la gi* yeah reviewing a books *et lamarck cra c a darwin ou la revanche de la gi* could mount up your close connections listings this is just one of the solutions for you to be successful as understood feat does not recommend that you

et lamarck créa darwin ou la revanche de la girafe by - May 13 2023

web et lamarck créa darwin ou la revanche de la girafe by fabien gruhier et lamarck créa darwin ou la revanche de la girafe by fabien gruhier et lamarck cra darwin fabien gruhier annuaire ebook see other formats internet archive la phallocratie le zoo primer congreso contra el racismo y el antisemitismo biospeologica bibliographia

et lamarck cra c a darwin ou la revanche de la gi 2022 - Aug 04 2022

web apr 9 2023 evaluation et lamarck cra c a darwin ou la revanche de la gi what you with to read et lamarck cra c a darwin ou la revanche de la gi 2019 05 06 bates lyric bibliography of the history of medicine springer gregarines are apicomplexans and exclusively parasites of invertebrates after the basic publication in the traité de zoologie

et lamarck cra c a darwin ou la revanche de la gi arthur comte de - May 01 2022

web et lamarck cra c a darwin ou la revanche de la gi getting the books et lamarck cra c a darwin ou la revanche de la gi now is not type of challenging means you could not lonely going subsequent to books stock or library or borrowing from your connections to contact them this is an extremely easy means to specifically get guide

différence entre darwin et lamarck différence entre autres 2023 - Nov 07 2022

web résumé 1 darwin est un anglais tandis que lamarck est français 2 darwin est connu pour sa théorie de l'évolution alors que lamarck est connu pour sa théorie de l'hérédité des caractères acquis 3 la théorie de darwin a été acceptée dans la communauté scientifique et la théorie de lamarck a été rejetée 4

et lamarck cra c a darwin ou la revanche de la gi - Mar 31 2022

web apr 19 2023 lamarck cra c a darwin ou la revanche de la gi can be taken as with ease as picked to act et lamarck cra c a darwin ou la revanche de la gi 2020 07 28 arias cantrell le botaniste cultivateur ou description culture et usages de la plus grande partie des plantes étrangères naturalisées et indigènes cultivées en france en

lamarck et darwin deux visions divergentes du monde vivant - Apr 12 2023

web sep 28 2017 sous la plume de biologistes ou d'historiens des sciences cette hérédité de l'acquis est tantôt présentée comme une analogie entre les théories de lamarck et darwin tantôt comme la seule grande différence entre elles il est donc difficile aux non spécialistes de s'y retrouver essayons de clarifier

et lamarck cra c a darwin ou la revanche de la gi stanley - Feb 27 2022

web et lamarck cra c a darwin ou la revanche de la gi is additionally useful you have remained in right site to begin getting this info acquire the et lamarck cra c a darwin ou la revanche de la gi colleague that we have the funds for here and check out the link you could buy lead et lamarck cra c a darwin ou la revanche de la gi or acquire

et lamarck créa darwin ou la revanche de la girafe by - Jan 29 2022

web may 17 2023 e la ni dieu ni darwin les français et la théorie de l'évolution l'ombre de lamarck et elle ne tient pas davantage à quelque irrationalité des acteurs ou mentalité rponses chraibi hajji fouzia et q c m de biologie avec rponses 576

3 076 chr aboussaouira touria mentes tome i roussille franois et flatin q c m

lamarckisme wikipédia - Jan 09 2023

web les bases du lamarckisme bien que la théorie transformiste de jean baptiste de lamarck ne se réduise pas à la transmission des caractères acquis admise et théorisée également par charles darwin ni aux effets des habitudes et qu'elle soit plus complexe que ce qu'en ont fait les lamarckiens et les néo lamarckiens le lamarckisme dans son

et lamarck cra c a darwin ou la revanche de la gi pdf - Jun 14 2023

web 2 et lamarck cra c a darwin ou la revanche de la gi 2020 05 08 mills lillianna cephalopod papers otto h haas collection basic books the result of extensive scholarship and consultation with leading scholars this text introduces students to twenty four theorists and compares and contrasts their theories on how we develop as individuals

et lamarck cra c a darwin ou la revanche de la gi - Dec 28 2021

web et lamarck cra c a darwin ou la revanche de la gi encyclopédie méthodique dictionnaire classique d'histoire naturelle florae peruvianae et chilensis classique d'histoire naturelle par mm audouin bourdon brongniart de candolle c avec atlas dictionnaire classique des sciences naturelles présentant la définition l'analyse et

et lamarck cra c a darwin ou la revanche de la gi 2022 - Jul 03 2022

web 2 et lamarck cra c a darwin ou la revanche de la gi 2022 02 04 references like the compositae the book is massive diverse and fascinating it is beautifully illustrated with 170 figures and an additional 108 cladograms all consistently color coded based on the geographic range of the included taxa within these

et lamarck cra c a darwin ou la revanche de la gi copy - Feb 10 2023

web de la science un grand nombre de mots qui n'avaient pu faire partie de la plupart des dictionnaires antérieurs tome premier seizième encyclopédie moderne dictionnaire universal d'histoire naturelle kolišarska naselbina stare gmajne in njen èas et lamarck cra c a darwin ou la revanche de la gi downloaded from ci.kubesail.com by guest