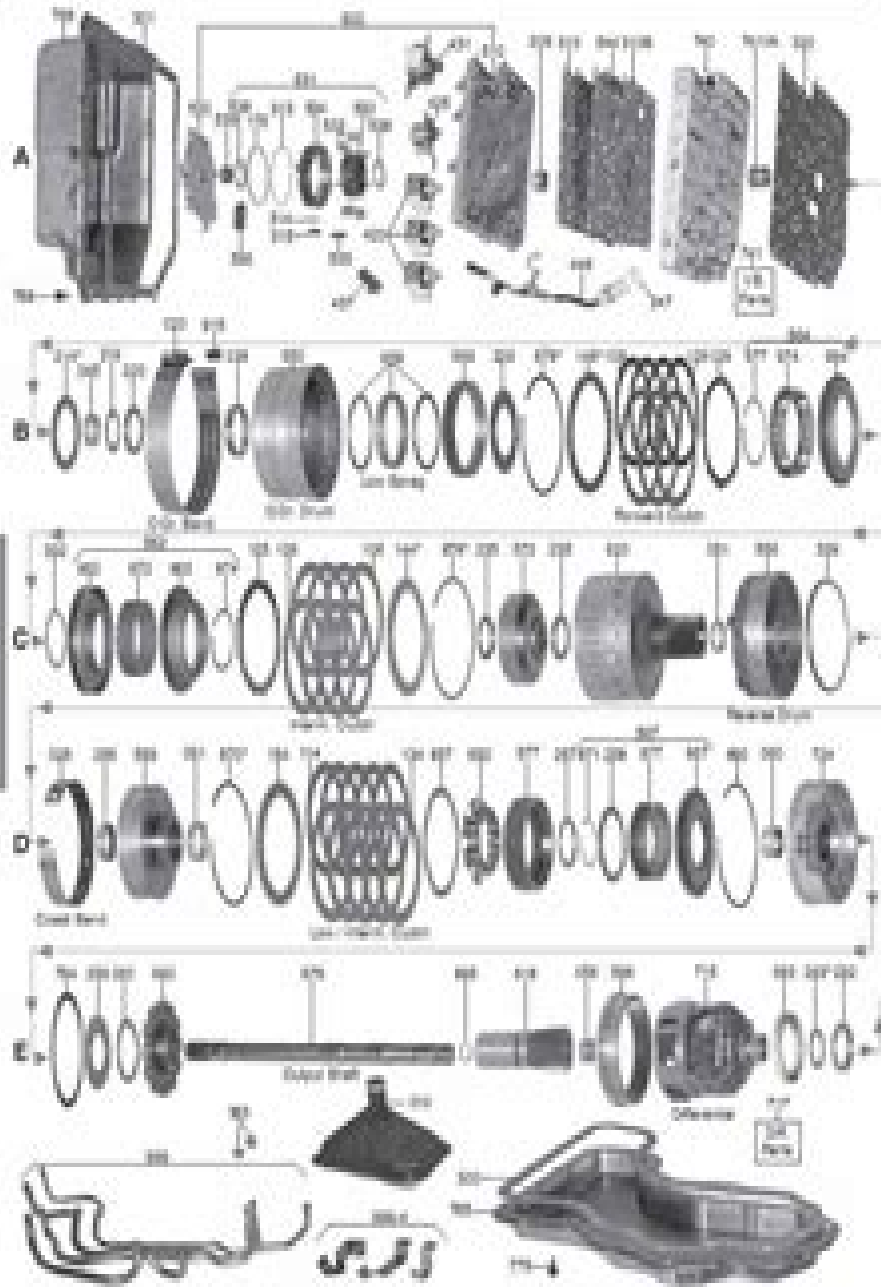


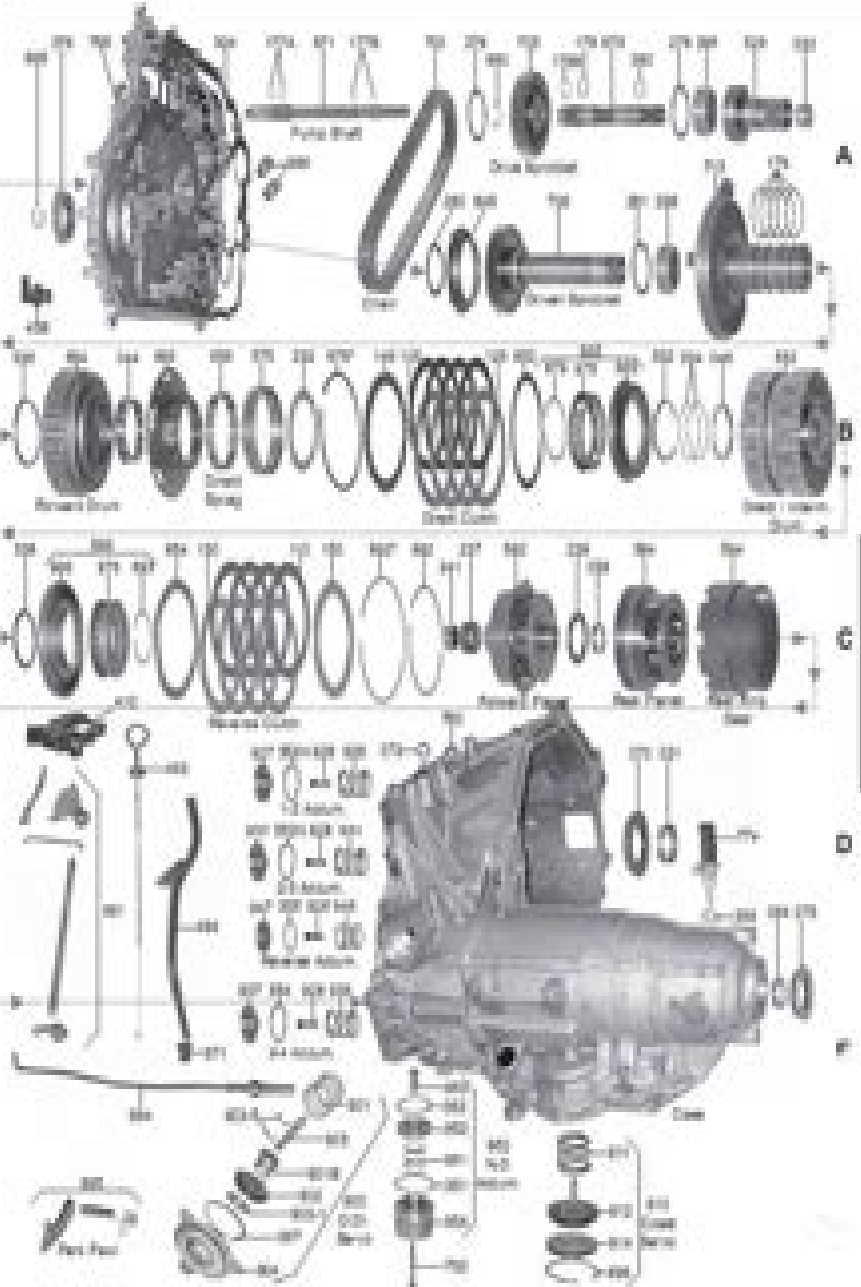
AX4N / 4F50N

FWD 4 Speed



FWD 4 Speed

AX4N / 4F50N



FORD

FORD

Ax4n Repair Manual

Anthony S. Fauci



Ax4n Repair Manual:

Chilton's Auto Repair Manual ,1993 Each edition includes information for that year and several previous years
Taurus, Sable Transaxle, Automatic-AX4N 1994 Service Manual ,1993 Car Mary Walton,1997 This astonishing journey into the belly of one of our most important industries a portrait of the energy and ingenuity of America at work follows the 1996 Ford Taurus from its conception to its public debut Lemon-Aid Car Guide 2001 Phil Edmonston,2001 A guide to buying a used car or minivan features information on the strengths and weaknesses of each model a safety summary recalls warranties and service tips **Lemon Aid Used Cars 2000** Phil Edmonston,1999-06 *Lemon-Aid Car Guide 2000* Phil Edmonston,2000-02 Everything consumers need to know about cars **Popular Mechanics** ,1997-02 Popular Mechanics inspires instructs and influences readers to help them master the modern world Whether it s practical DIY home improvement tips gadgets and digital technology information on the newest cars or the latest breakthroughs in science PM is the ultimate guide to our high tech lifestyle **Lemon-aid New Cars** Louis-Philippe Edmonston,1981 *Lemon-Aid Used Cars 2001* Phil Edmonston,2000-04 **Popular Mechanics** ,1997

Embark on a breathtaking journey through nature and adventure with Explore with is mesmerizing ebook, Witness the Wonders in **Ax4n Repair Manual** . This immersive experience, available for download in a PDF format (PDF Size: *), transports you to the heart of natural marvels and thrilling escapades. Download now and let the adventure begin!

<https://stats.tinkerine.com/public/virtual-library/index.jsp/Ap%20Art%20History%20Exam%20Study%20Guide.pdf>

Table of Contents Ax4n Repair Manual

1. Understanding the eBook Ax4n Repair Manual
 - The Rise of Digital Reading Ax4n Repair Manual
 - Advantages of eBooks Over Traditional Books
2. Identifying Ax4n Repair Manual
 - Exploring Different Genres
 - Considering Fiction vs. Non-Fiction
 - Determining Your Reading Goals
3. Choosing the Right eBook Platform
 - Popular eBook Platforms
 - Features to Look for in an Ax4n Repair Manual
 - User-Friendly Interface
4. Exploring eBook Recommendations from Ax4n Repair Manual
 - Personalized Recommendations
 - Ax4n Repair Manual User Reviews and Ratings
 - Ax4n Repair Manual and Bestseller Lists
5. Accessing Ax4n Repair Manual Free and Paid eBooks
 - Ax4n Repair Manual Public Domain eBooks
 - Ax4n Repair Manual eBook Subscription Services
 - Ax4n Repair Manual Budget-Friendly Options
6. Navigating Ax4n Repair Manual eBook Formats

- ePub, PDF, MOBI, and More
 - Ax4n Repair Manual Compatibility with Devices
 - Ax4n Repair Manual Enhanced eBook Features
7. Enhancing Your Reading Experience
 - Adjustable Fonts and Text Sizes of Ax4n Repair Manual
 - Highlighting and Note-Taking Ax4n Repair Manual
 - Interactive Elements Ax4n Repair Manual
 8. Staying Engaged with Ax4n Repair Manual
 - Joining Online Reading Communities
 - Participating in Virtual Book Clubs
 - Following Authors and Publishers Ax4n Repair Manual
 9. Balancing eBooks and Physical Books Ax4n Repair Manual
 - Benefits of a Digital Library
 - Creating a Diverse Reading Collection Ax4n Repair Manual
 10. Overcoming Reading Challenges
 - Dealing with Digital Eye Strain
 - Minimizing Distractions
 - Managing Screen Time
 11. Cultivating a Reading Routine Ax4n Repair Manual
 - Setting Reading Goals Ax4n Repair Manual
 - Carving Out Dedicated Reading Time
 12. Sourcing Reliable Information of Ax4n Repair Manual
 - Fact-Checking eBook Content of Ax4n Repair Manual
 - Distinguishing Credible Sources
 13. Promoting Lifelong Learning
 - Utilizing eBooks for Skill Development
 - Exploring Educational eBooks
 14. Embracing eBook Trends
 - Integration of Multimedia Elements
 - Interactive and Gamified eBooks

Ax4n Repair Manual Introduction

Free PDF Books and Manuals for Download: Unlocking Knowledge at Your Fingertips In today's fast-paced digital age, obtaining valuable knowledge has become easier than ever. Thanks to the internet, a vast array of books and manuals are now available for free download in PDF format. Whether you are a student, professional, or simply an avid reader, this treasure trove of downloadable resources offers a wealth of information, conveniently accessible anytime, anywhere. The advent of online libraries and platforms dedicated to sharing knowledge has revolutionized the way we consume information. No longer confined to physical libraries or bookstores, readers can now access an extensive collection of digital books and manuals with just a few clicks. These resources, available in PDF, Microsoft Word, and PowerPoint formats, cater to a wide range of interests, including literature, technology, science, history, and much more. One notable platform where you can explore and download free Ax4n Repair Manual PDF books and manuals is the internet's largest free library. Hosted online, this catalog compiles a vast assortment of documents, making it a veritable goldmine of knowledge. With its easy-to-use website interface and customizable PDF generator, this platform offers a user-friendly experience, allowing individuals to effortlessly navigate and access the information they seek. The availability of free PDF books and manuals on this platform demonstrates its commitment to democratizing education and empowering individuals with the tools needed to succeed in their chosen fields. It allows anyone, regardless of their background or financial limitations, to expand their horizons and gain insights from experts in various disciplines. One of the most significant advantages of downloading PDF books and manuals lies in their portability. Unlike physical copies, digital books can be stored and carried on a single device, such as a tablet or smartphone, saving valuable space and weight. This convenience makes it possible for readers to have their entire library at their fingertips, whether they are commuting, traveling, or simply enjoying a lazy afternoon at home. Additionally, digital files are easily searchable, enabling readers to locate specific information within seconds. With a few keystrokes, users can search for keywords, topics, or phrases, making research and finding relevant information a breeze. This efficiency saves time and effort, streamlining the learning process and allowing individuals to focus on extracting the information they need. Furthermore, the availability of free PDF books and manuals fosters a culture of continuous learning. By removing financial barriers, more people can access educational resources and pursue lifelong learning, contributing to personal growth and professional development. This democratization of knowledge promotes intellectual curiosity and empowers individuals to become lifelong learners, promoting progress and innovation in various fields. It is worth noting that while accessing free Ax4n Repair Manual PDF books and manuals is convenient and cost-effective, it is vital to respect copyright laws and intellectual property rights. Platforms offering free downloads often operate within legal boundaries, ensuring that the materials they provide are either in the public domain or authorized for distribution. By adhering to copyright laws, users can enjoy the benefits of free access to knowledge while supporting the authors and publishers who make these resources

available. In conclusion, the availability of Ax4n Repair Manual free PDF books and manuals for download has revolutionized the way we access and consume knowledge. With just a few clicks, individuals can explore a vast collection of resources across different disciplines, all free of charge. This accessibility empowers individuals to become lifelong learners, contributing to personal growth, professional development, and the advancement of society as a whole. So why not unlock a world of knowledge today? Start exploring the vast sea of free PDF books and manuals waiting to be discovered right at your fingertips.

FAQs About Ax4n Repair Manual Books

1. Where can I buy Ax4n Repair Manual books? Bookstores: Physical bookstores like Barnes & Noble, Waterstones, and independent local stores. Online Retailers: Amazon, Book Depository, and various online bookstores offer a wide range of books in physical and digital formats.
2. What are the different book formats available? Hardcover: Sturdy and durable, usually more expensive. Paperback: Cheaper, lighter, and more portable than hardcovers. E-books: Digital books available for e-readers like Kindle or software like Apple Books, Kindle, and Google Play Books.
3. How do I choose a Ax4n Repair Manual book to read? Genres: Consider the genre you enjoy (fiction, non-fiction, mystery, sci-fi, etc.). Recommendations: Ask friends, join book clubs, or explore online reviews and recommendations. Author: If you like a particular author, you might enjoy more of their work.
4. How do I take care of Ax4n Repair Manual books? Storage: Keep them away from direct sunlight and in a dry environment. Handling: Avoid folding pages, use bookmarks, and handle them with clean hands. Cleaning: Gently dust the covers and pages occasionally.
5. Can I borrow books without buying them? Public Libraries: Local libraries offer a wide range of books for borrowing. Book Swaps: Community book exchanges or online platforms where people exchange books.
6. How can I track my reading progress or manage my book collection? Book Tracking Apps: Goodreads, LibraryThing, and Book Catalogue are popular apps for tracking your reading progress and managing book collections. Spreadsheets: You can create your own spreadsheet to track books read, ratings, and other details.
7. What are Ax4n Repair Manual audiobooks, and where can I find them? Audiobooks: Audio recordings of books, perfect for listening while commuting or multitasking. Platforms: Audible, LibriVox, and Google Play Books offer a wide selection of audiobooks.

8. How do I support authors or the book industry? Buy Books: Purchase books from authors or independent bookstores. Reviews: Leave reviews on platforms like Goodreads or Amazon. Promotion: Share your favorite books on social media or recommend them to friends.
9. Are there book clubs or reading communities I can join? Local Clubs: Check for local book clubs in libraries or community centers. Online Communities: Platforms like Goodreads have virtual book clubs and discussion groups.
10. Can I read Ax4n Repair Manual books for free? Public Domain Books: Many classic books are available for free as they're in the public domain. Free E-books: Some websites offer free e-books legally, like Project Gutenberg or Open Library.

Find Ax4n Repair Manual :

[ap art history exam study guide](#)

aoc 2343f manual

[apa reference for pmbok guide](#)

~~[apex answers for math college readiness](#)~~

aol mail not coming through

[apologia chemistry module 9 study guide](#)

[apparel merchandising the line starts here](#)

aol outlook settings

aou24rml installation manual

[apa manual 6th edition free download](#)

ap biology chapter 2 guided reading answers

[apes chapter 1 study guide answers](#)

[ap biology immunity pogil key](#)

apotheosis stories of human survival after the rise of the elder gods

[ap human geography rubenstein study guide](#)

Ax4n Repair Manual :

canadian entrepreneurship small business management - Mar 16 2023

web balderson canadian entrepreneurship and small business management is recognized as a market leading text that offers

strong coverage of the theory of entrepreneurship and small business management blended seamlessly with practical canadian examples of actual entrepreneur experiences small business profiles

[entrepreneurship education in canada springerlink](#) - Apr 05 2022

web oct 20 2023 ee programming has grown and diversified as heis provide curricular cocurricular and extracurricular entrepreneurship offerings to serve more students outside of business schools duval couetil 2013 greene storey 2004 kuratko 2005 rideout gray 2013 sá kretz 2015 toscher 2019 colleges and universities are actively

entrepreneurship and small business management - Mar 04 2022

web program overview this certificate is designed to prepare students to engage in the world of entrepreneurship the certificate will provide students with the skills necessary to become new business owners update their skills as current business owners or to work for a small business the goal of this certificate program is to prepare students

canadian entrepreneurship and small business management - Nov 12 2022

web aug 13 2021 canadian entrepreneurship and small business management by wesley balderson peter mombourquette 2014 mcgraw hill education edition in english canadian entrepreneurship and small business management by wesley balderson

canadian entrepreneurship small business management goodreads - Dec 13 2022

web jan 29 2014 balderson is recognized as a market leading text that offers strong coverage of the theory of entrepreneurship and small business management blended seamlessly with practical canadian examples of actual entrepreneur experiences small

canadian entrepreneurship initiative - Aug 09 2022

web the mission of the canadian entrepreneurship initiative was to support a more ambitious inclusive and informed culture of entrepreneurship in canada the campaign launched in 2017 showcased industry leading research and insights on attitudes and barriers towards entrepreneurship in the country and sparked a larger conversation between all sectors

canadian entrepreneurship small business management - May 06 2022

web english xviii 454 pages 55 variously numbered pages 28 cm includes bibliographical references and index the role of entrepreneurship and small business in canada the small business decision evaluation of a business opportunity organizing a business the business plan buying a business and franchising financing the small

canadian entrepreneurship small business management canadian edition - Jun 19 2023

web balderson canadian entrepreneurship and small business management is recognized as a market leading text that offers strong coverage of the theory of entrepreneurship and small business management blended seamlessly with practical canadian examples of actual entrepreneur experiences small business profiles

mheducation ca - Jul 20 2023

web mheducation ca

canadian entrepreneurship and small business management - Aug 21 2023

web mar 3 2017 balderson is recognized as a market leading text that offers strong coverage of the theory of entrepreneurship and small business management blended seamlessly with practical canadian

canadian entrepreneurship small business management - Jun 07 2022

web small business canada management new business enterprises canada petites et moyennes entreprises canada gestion nouvelles entreprises canada new business enterprises small business management canada

canadian entrepreneurship and small business management - Jan 14 2023

web canadian entrepreneurship and small business management 12th edition is written by wesley balderson peter mombourquette dr penny farley and published by mcgraw hill ryerson ltd canada the digital and etextbook isbn for canadian entrepreneurship and small business management are 9781264888740 9781264889556 1264889550

canadian entrepreneurship small business management - Oct 11 2022

web feb 10 2020 balderson canadian entrepreneurship and small business management is recognized as a market leading text that offers strong coverage of the theory of entrepreneurship and small business management blended seamlessly with practical canadian examples of actual entrepreneur experiences small business profiles

canadian entrepreneurship small business management seventh - Apr 17 2023

web balderson is recognized as a market leading text that offers strong coverage of the theory of entrepreneurship and small business management blended with the practical canadian examples of actual entrepreneur experiences small business profiles balderson offers numerous individual cases as well as uniquely offering a comprehensive case that

canadian entrepreneurship small business management - Sep 10 2022

web dec 10 2022 canadian entrepreneurship and small business management by d wesley balderson 2011 mcgraw hill ryerson edition in english 8th ed canadian entrepreneurship small business management by d wesley balderson open library

canadian entrepreneurship and small business management - May 18 2023

web balderson canadian entrepreneurship small business management is recognized as a market leading resource that expertly balances the theory of entrepreneurship and small business management blended seamlessly with practical examples of real world entrepreneur experiences in a canadian context

canadian entrepreneurship and small business management - Oct 23 2023

web jan 30 2023 explore canadian entrepreneurship and small business management new co author penny farley from university canada west has joins the author team penny s diverse background and balanced coverage and organization

balderson s 4 part structure embodies its balanced approach to covering the [small business management management and organization business](#) - Feb 15 2023

web jan 30 2023 balderson canadian entrepreneurship small business management is recognized as a market leading resource that expertly balances the theory of entrepreneurship and small business management blended seamlessly with practical examples of real world entrepreneur experiences in a canadian context learn more [canadian entrepreneurship and small business management](#) - Jul 08 2022

web canadian entrepreneurship and small business management balderson d wesley free download borrow and streaming internet archive

canadian entrepreneurship and small business management - Sep 22 2023

web paperback march 3 2017 balderson is recognized as a market leading text that offers strong coverage of the theory of entrepreneurship and small business management blended seamlessly with practical canadian examples of actual entrepreneur experiences small business profiles

[mason trade test mock practical test paper](#) - Jul 14 2023

web mason trade test mock practical test paper enquiries on this material may be made to the hong kong construction industry trade testing centre at 95 yue kwong road aberdeen hong kong tel 852 2100 9000 fax 852 2100 9090 email enquiry cic hk website cic hk

[masonry certification exam mason contractors](#) - Mar 10 2023

web certification exam once the primary and supervisor have attained the appropriate credits the primary may take the certification exam the exam consists of 100 multiple choice questions and is an open book test questions are categorized by discipline bidding practices 10 questions codes and standards 27 questions

[ticaret sicili islem Ücretleri trabzon ticaret ve sanayi](#) - Jan 28 2022

web trabzon ticaret ve sanayi odasi ticaret sicil müdürlüğü ticaret sicili işlem ücretleri tescil işlemlerinizin ön kontrol süreci elektronik ortamda gerçekleştirilmektedir mersis talebinizi oluşturduktan sonra randevu ttso org tr adresi üzerinden işlemlerinizi gerçekleştirebilirsiniz not randevusuz işlem

[trade test for mason vpn bethnalgreenventures com](#) - Feb 26 2022

web 2 trade test for mason 2019 12 19 smart funny fearless it s pretty safe to say that spy was the most influential magazine of the 1980s it might have remade new york s cultural landscape it definitely changed the whole tone of magazine journalism it was cruel brilliant beautifully

the ultimate masonry certification test proprofs quiz - Apr 11 2023

web mar 27 2023 then this ultimate masonry certification test is perfect for you test yourself with the masonry test

questions and answers right now if you wish to see just how much you know about masonry and the nuances associated with it who knows you might even learn something new from these questions

[itbp mason trade questions cisf mason trade questions](#) - May 12 2023

web itbp mason trade questions cisf mason trade questions mason trade questions mason trade testcrpf bsf cisf itbp ssb assam rifles treadman mason trade

[trade testing certification center recruitment trade testing](#) - Jun 01 2022


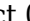
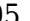
web transcend institute is trade testing certification center conducts various trade tests for welder rigger scaffolder pipefitter fabricator mason etc transcend institute is the best trade testing certification center because of the quality assessment procedure of the client followed thoroughly before trade testing interview we organize

mason building constructor dgt - Feb 09 2023

web at the end of the training the apprentices are required to appear in a trade test conducted by ncvr and those successful in the trade tests are awarded the national apprenticeship certificate the period of apprenticeship training for graduate engineers technician diploma holders and technician vocational apprentices is one year

application for trade test booking for the year - Dec 27 2021

web indicate the trade test series you are applying for april august december tick one 7 do you have any disability yes mason t mas 17 motor cycle mechanic t mcm 18 motor vehicle electrician t mve 19 motor vehicle mechanic t mvm 20 moulder t mou 21 painter decorator t pad 22 panel beater t pab

[bro gref mason trade test bro gref](#)    [youtube](#) - Oct 05 2022

web mason practical test mason practical test kaise hota hai bro mason practical test mason practical test mason me practical test kaise hota hai cavity

trade tests of masons plasterers and tilers for qd sbg youtube - Aug 03 2022

web last 14th april 2014 vietnam manpower jsc was honored to be on behalf of qd sbg construction to organize the trade test for selecting about 30 masons plast

[trade test for mason avvu com tr](#) - Nov 06 2022

web jun 4 2023 rawalpindi building pain trade tests of masons plasterers and tilers for qd sbg constructi find local businesses view maps an powered by tcpdf tcpdf org avvu com tr 3 3 author christoph gustloff from avvu com tr keywords trade for mason test created date 6 4 2023 2 57 50 pm

cisf tradesman mason job profile cisf mason trade test cisf mason - Sep 04 2022

web thanks for watching my videos about cisf tradsman mason job cisf tradesman mason job profile cisf mason trade test cisf mason trade salary cisf tradesm

[training of trade test officers foundries org za](#) - Jul 02 2022

web sites with registered trade test officers 1 mittal refractory mason 2 stelloy patternmaker moulder 2 highveld steel refractory mason 1 eec patternmaker 0 thomas foundries 0 scaw trade test officers optimally have a workable succession planning solution trade test now and in the future current curriculum

technical skill trade testing industrial trade center chennai - Mar 30 2022

web transcend institute is india s leading technical skill trade testing center for testing competency levels of the candidates for the required trade trade tests for skilled workers like pipefitters electricians welders fabricators mason and carpenters

[masonry inspection checklist the masonry society](#) - Jan 08 2023

web masonry inspection checklist 0 00 this document serves as a tool for masonry construction inspectors mason contractors general contractors architects and engineers to assist them in assuring compliance with the

[trade test shuttering carpenter steel fixer mason for client in](#) - Dec 07 2022

web the trade test plan includes part 1 explain the regulation to workers before participating the trade test part 2 interview candidates part 3 trade test shuttering carpenter part 4 trade test steel fixer part 5 sign the application for

[mason intermediate trade test study material for written test](#) - Jun 13 2023

web mason intermediate trade test study material for written test this study material is a reference for candidate to prepare for attending written test in intermediate trade test when conducting bedding work the requirement is that no holes should be found

[trade test for mason 50storiesfortomorrow ilfu com](#) - Aug 15 2023

web trade test for mason unveiling the magic of words a review of trade test for mason in a world defined by information and interconnectivity the enchanting power of words has acquired unparalleled significance their capability to kindle emotions provoke contemplation and ignite transformative change is truly awe inspiring

mason building constructor dgt - Apr 30 2022

web mason building 3 constructor 2 3 course structure table below depicts the distribution of training hours across various course elements during a period of one year s no course element notional training hours 1 professional skill trade practical 1000 2 professional knowledge trade theory 280 3 workshop calculation science 8 0

[chemfax ap chemistry lab 10 answers download only](#) - May 12 2023

web oct 18 2022 you could purchase guide chemfax ap chemistry lab 10 answers or acquire it as soon as feasible you could speedily download this chemfax ap

chemfax ap chemistry lab 10 answers las gnome - Feb 09 2023

web nov 25 2022 chemfax ap chemistry lab 10 answers 1 5 downloaded from las gnome org on november 25 2022 by guest

chemfax ap chemistry lab 10

[chemfax ap chemistry lab 10 answers](#) - Oct 05 2022

web chemfax ap chemistry lab 10 answers labordefinancial com chemfax ap chemistry lab 10 answers chemfax ap chemistry laboratory 20 answers polake de

ap chemistry chromatography lab flashcards quizlet - Nov 06 2022

web the larger a molecule is the longer it takes for it to travel up the chromatography paper because the solvent being used is water which is very polar polar solutes will travel

ap ssc 10th class chemistry chapter wise important questions - Oct 25 2021

web jan 16 2023 andhra pradesh scert ap state board syllabus ssc 10th class chemistry chapter wise important questions and answers 2021 2022 in english

chemfax ap chemistry lab 10 answers uniport edu - Apr 11 2023

web aug 7 2023 we give chemfax ap chemistry lab 10 answers and numerous book collections from fictions to scientific research in any way in the midst of them is this

[chemfax ap chemistry lab 10 answers uniport edu](#) - Aug 23 2021

web chemfax ap chemistry lab 10 answers 1 8 downloaded from uniport edu ng on may 17 2023 by guest chemfax ap chemistry lab 10 answers right here we have countless

chemistry 10th edition textbook solutions chegg com - Jun 01 2022

web solutions manuals are available for thousands of the most popular college and high school textbooks in subjects such as math science physics chemistry biology engineering

ap chemistry lab manual ap central college board - Aug 15 2023

web ap chemistry lab manual the updated ap chemistry lab manual ap chemistry guided inquiry experiments applying the science practices features 16 labs where

chemfax chemical reactions student laboratory kit answers - Apr 30 2022

web answers chemical reactions labs answer key betterlesson flinn advanced inquiry laboratory kits for ap chemistry chemfax flinn scientific inc chemical reactions

[chemfax ap chemistry laboratory 8 answers full pdf](#) - Mar 30 2022

web this is why we present the ebook compilations in this website it will no question ease you to look guide chemfax ap chemistry laboratory 8 answers as you such as by

10th chemistry chapter wise test papers alp 2021 - Nov 25 2021

web apr 20 2021 download 10th class matric part 2 chemistry chapter wise practice test papers of all chapters in pdf format

according to smart syllabus 2021 alp download

answers to chemfax properties of buffer solutions - Dec 27 2021

web may 19 2017 download a life of anthony ashley cooper volume 2 kobo gutenber download a life of anthony ashley cooper volume 2 kobo gutenber study free

designing a hand warmer designing a hand warmer purpose - Aug 03 2022

web in this laboratory experiment the heat of solution will be calculated from the data for six salts in order to determine the most viable and safe hand warmer the heat of solution is

canadian based specialty chemical manufacturer chemfax - Jan 28 2022

web chemfax is here to become the specialty chemical industry s leader in environmental awareness and sustainability we have been innovators for environmentally friendly

chemfax ap chemistry lab 10 answers shiny evanodell com - Mar 10 2023

web chemfax ap chemistry lab 10 answers it takes me 14 hours just to obtain the right download link and another 5 hours to validate it chemfax ap chemistry lab 10

chemfax ap chemistry laboratory 8 answers copy uniport edu - Feb 26 2022

web aug 11 2023 its practically what you infatuation currently this chemfax ap chemistry laboratory 8 answers as one of the most keen sellers here will agreed be in the midst

apchemelectrochemicalcellslabscanned docx course hero - Jul 14 2023

web jul 20 2017 flinn scientific 1781 your safer source for science supplies electrochemical cells ap chemistry laboratory 21 introduction oxidation reduction

chemfax ap chemistry laboratory 8 answers - Jul 02 2022

web chemfax ap chemistry laboratory 8 answers student lab notebook chemistry lab notebook 120 duplicate page sets apr 15 2021 chemistry lab notebook

bookmark file chemfax ph buffer solutions lab answers free - Sep 23 2021

web sep 8 2023 chemfax ph buffer solutions lab answers is available in our book collection an online access to it is set as public so you can get it instantly our book servers saves

chemfax ap chemistry lab 10 answers pdf uniport edu - Jun 13 2023

web jun 16 2023 chemfax ap chemistry lab 10 answers below biochemistry primer for exercise science peter m tiidus 2012 rev ed of biochemistry primer for exercise

chemfax ap chemistry lab 10 answers help discoveram - Jan 08 2023

web chemfax ap chemistry lab 10 answers pg188bet com chemfax ap chemistry lab 10 answers welcome2africa org chemfax

ap chemistry laboratory 20 answers rieses

chemfax ap chemistry lab 10 answers banpaen - Dec 07 2022

web jun 7 2023 chemfax ap chemistry lab 10 answers hunting for chemfax ap chemistry lab 10 answers do you really need this pdf chemfax ap chemistry lab 10

chemfax ap chemistry lab 10 answers pdf rochelle manners - Sep 04 2022

web jun 28 2023 this chemfax ap chemistry lab 10 answers pdf after getting deal so next you require the ebook swiftly you can straight acquire it its for that reason