



Bobcat.

Service Manual Backhoe

(Bob-Tach Mounted) S/N 074600101 & Above

(406) S/N 631010000 & Below

(406) S/N 631010001 & Above

(506) S/N 631110000 & Below

(506) S/N 631110001 & Above

(607) S/N 775002278 & Above

(607) S/N A5CW00101 & Above

(709) S/N 270007245 & Above

(709) S/N A54M00101 & Above

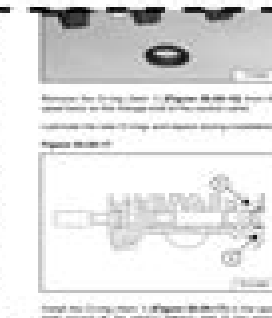
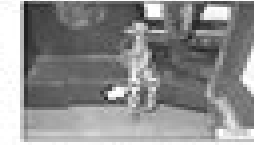
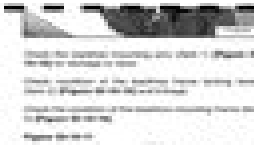
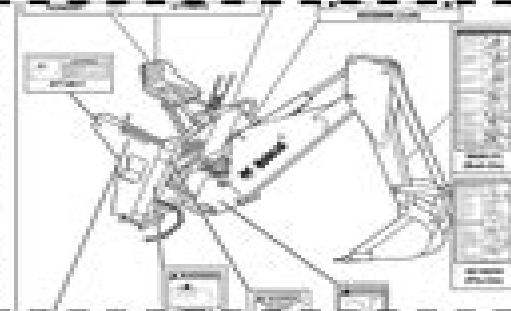
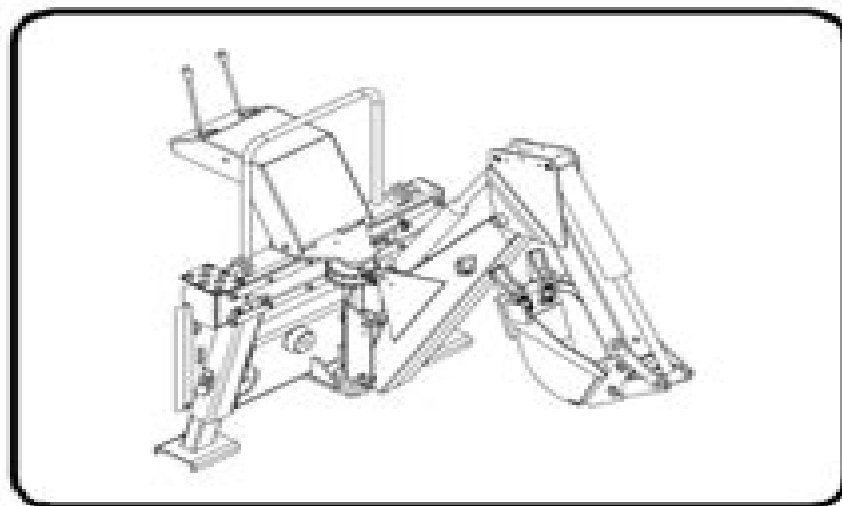
(709FDS) S/N 584101444 & Above

(709FDS) S/N A5F300101 & Above

(8811) S/N 630100101 & Above

(8811) S/N A55800101 & Above

(MO6) S/N 631200101 & Above



Bobcat Backhoe Manual

A Loxley



Bobcat Backhoe Manual:

911 Backhoe Operator's Manual Clark Equipment Company. Melroe Division,1982 SCP Series One Field Manual
SCP Foundation,Various Authors,2019-09-19 SCP Foundation anomalies SCP 001 through to SCP 999 including containment
procedures experiment logs and interview transcripts An encyclopedia of the unnatural The Foundation Operating
clandestine and worldwide the Foundation operates beyond jurisdiction empowered and entrusted by every major national
government with the task of containing anomalous objects entities and phenomena These anomalies pose a significant threat
to global security by threatening either physical or psychological harm The Foundation operates to maintain normalcy so that
the worldwide civilian population can live and go on with their daily lives without fear mistrust or doubt in their personal
beliefs and to maintain human independence from extraterrestrial extradimensional and other extranormal influence Our
mission is three fold Secure The Foundation secures anomalies with the goal of preventing them from falling into the hands
of civilian or rival agencies through extensive observation and surveillance and by acting to intercept such anomalies at the
earliest opportunity Contain The Foundation contains anomalies with the goal of preventing their influence or effects from
spreading by either relocating concealing or dismantling such anomalies or by suppressing or preventing public
dissemination of knowledge thereof Protect The Foundation protects humanity from the effects of such anomalies as well as
the anomalies themselves until such time that they are either fully understood or new theories of science can be devised
based on their properties and behavior About the ebook This ebook is an offline edition of the first series of fictional
documentation from the SCP Foundation Wiki All illustrations subsections and supporting documentation pages are included
All content is indexed and cross referenced Essentially this is what a SCP Foundation researcher would carry day to day in
their Foundation issued ebook reader The text has been optimised for offline reading on phones and ebook readers and for
listening to via Google Play Book s Read Aloud feature Tables have been edited into a format that is intelligible when read
aloud the narration will announce visual features like redactions and overstrikes and there are numerous other small
optimisations for listeners The SCP text are a living work and the SCP documentation is a gateway into the SCP fictional
universe so links to authors stories and media are preserved and will open your reader s web browser This work is licensed
under a Creative Commons Attribution ShareAlike 3 0 Unported License and is being distributed without copy protection Its
content is the property of the attributed authors **Canadian Mining Manual** ,1967 Labor Relations Reference
Manual ,2002 Vols 9 17 include decisions of the War Labor Board **Canadian Mining Journal's Reference Manual &**
Buyer's Guide ,1967 **Drum Handling Manual for Hazardous Waste Sites** K. Wagner,1987-12-31 A guide to the safe
handling of drums that contain hazardous waste **Emergency and Disaster Planning Manual** Laura G. Kaplan,1996
Covers the range of necessary emergency and disaster planning techniques for industrial commercial and utility structures
The book includes checklists and guidelines step by step procedures definitions and evaluation forms for quick and easy

reference to a specific problem Public Works Manual ,2002 **Power Farming in Australia and New Zealand**
Technical Manual ,1987 **Urban Stormwater Management Manual for Malaysia: Treatment control BMPs** ,2000

Getting the books **Bobcat Backhoe Manual** now is not type of inspiring means. You could not by yourself going like ebook accretion or library or borrowing from your friends to admittance them. This is an certainly easy means to specifically acquire guide by on-line. This online pronouncement Bobcat Backhoe Manual can be one of the options to accompany you past having additional time.

It will not waste your time. take me, the e-book will completely publicize you further matter to read. Just invest little period to right of entry this on-line pronouncement **Bobcat Backhoe Manual** as capably as review them wherever you are now.

https://stats.tinkerine.com/About/scholarship/index.jsp/apple_ibook_g4_laptop_service_or_repair_manual.pdf

Table of Contents Bobcat Backhoe Manual

1. Understanding the eBook Bobcat Backhoe Manual
 - The Rise of Digital Reading Bobcat Backhoe Manual
 - Advantages of eBooks Over Traditional Books
2. Identifying Bobcat Backhoe Manual
 - Exploring Different Genres
 - Considering Fiction vs. Non-Fiction
 - Determining Your Reading Goals
3. Choosing the Right eBook Platform
 - Popular eBook Platforms
 - Features to Look for in an Bobcat Backhoe Manual
 - User-Friendly Interface
4. Exploring eBook Recommendations from Bobcat Backhoe Manual
 - Personalized Recommendations
 - Bobcat Backhoe Manual User Reviews and Ratings
 - Bobcat Backhoe Manual and Bestseller Lists
5. Accessing Bobcat Backhoe Manual Free and Paid eBooks

- Bobcat Backhoe Manual Public Domain eBooks
- Bobcat Backhoe Manual eBook Subscription Services
- Bobcat Backhoe Manual Budget-Friendly Options
- 6. Navigating Bobcat Backhoe Manual eBook Formats
 - ePub, PDF, MOBI, and More
 - Bobcat Backhoe Manual Compatibility with Devices
 - Bobcat Backhoe Manual Enhanced eBook Features
- 7. Enhancing Your Reading Experience
 - Adjustable Fonts and Text Sizes of Bobcat Backhoe Manual
 - Highlighting and Note-Taking Bobcat Backhoe Manual
 - Interactive Elements Bobcat Backhoe Manual
- 8. Staying Engaged with Bobcat Backhoe Manual
 - Joining Online Reading Communities
 - Participating in Virtual Book Clubs
 - Following Authors and Publishers Bobcat Backhoe Manual
- 9. Balancing eBooks and Physical Books Bobcat Backhoe Manual
 - Benefits of a Digital Library
 - Creating a Diverse Reading Collection Bobcat Backhoe Manual
- 10. Overcoming Reading Challenges
 - Dealing with Digital Eye Strain
 - Minimizing Distractions
 - Managing Screen Time
- 11. Cultivating a Reading Routine Bobcat Backhoe Manual
 - Setting Reading Goals Bobcat Backhoe Manual
 - Carving Out Dedicated Reading Time
- 12. Sourcing Reliable Information of Bobcat Backhoe Manual
 - Fact-Checking eBook Content of Bobcat Backhoe Manual
 - Distinguishing Credible Sources
- 13. Promoting Lifelong Learning
 - Utilizing eBooks for Skill Development

- Exploring Educational eBooks
14. Embracing eBook Trends
- Integration of Multimedia Elements
 - Interactive and Gamified eBooks

Bobcat Backhoe Manual Introduction

In this digital age, the convenience of accessing information at our fingertips has become a necessity. Whether its research papers, eBooks, or user manuals, PDF files have become the preferred format for sharing and reading documents. However, the cost associated with purchasing PDF files can sometimes be a barrier for many individuals and organizations. Thankfully, there are numerous websites and platforms that allow users to download free PDF files legally. In this article, we will explore some of the best platforms to download free PDFs. One of the most popular platforms to download free PDF files is Project Gutenberg. This online library offers over 60,000 free eBooks that are in the public domain. From classic literature to historical documents, Project Gutenberg provides a wide range of PDF files that can be downloaded and enjoyed on various devices. The website is user-friendly and allows users to search for specific titles or browse through different categories. Another reliable platform for downloading Bobcat Backhoe Manual free PDF files is Open Library. With its vast collection of over 1 million eBooks, Open Library has something for every reader. The website offers a seamless experience by providing options to borrow or download PDF files. Users simply need to create a free account to access this treasure trove of knowledge. Open Library also allows users to contribute by uploading and sharing their own PDF files, making it a collaborative platform for book enthusiasts. For those interested in academic resources, there are websites dedicated to providing free PDFs of research papers and scientific articles. One such website is Academia.edu, which allows researchers and scholars to share their work with a global audience. Users can download PDF files of research papers, theses, and dissertations covering a wide range of subjects. Academia.edu also provides a platform for discussions and networking within the academic community. When it comes to downloading Bobcat Backhoe Manual free PDF files of magazines, brochures, and catalogs, Issuu is a popular choice. This digital publishing platform hosts a vast collection of publications from around the world. Users can search for specific titles or explore various categories and genres. Issuu offers a seamless reading experience with its user-friendly interface and allows users to download PDF files for offline reading. Apart from dedicated platforms, search engines also play a crucial role in finding free PDF files. Google, for instance, has an advanced search feature that allows users to filter results by file type. By specifying the file type as "PDF," users can find websites that offer free PDF downloads on a specific topic. While downloading Bobcat Backhoe Manual free PDF files is convenient, its important to note that copyright laws must be respected. Always ensure that the PDF files you download are legally available

for free. Many authors and publishers voluntarily provide free PDF versions of their work, but its essential to be cautious and verify the authenticity of the source before downloading Bobcat Backhoe Manual. In conclusion, the internet offers numerous platforms and websites that allow users to download free PDF files legally. Whether its classic literature, research papers, or magazines, there is something for everyone. The platforms mentioned in this article, such as Project Gutenberg, Open Library, Academia.edu, and Issuu, provide access to a vast collection of PDF files. However, users should always be cautious and verify the legality of the source before downloading Bobcat Backhoe Manual any PDF files. With these platforms, the world of PDF downloads is just a click away.

FAQs About Bobcat Backhoe Manual Books

What is a Bobcat Backhoe Manual PDF? A PDF (Portable Document Format) is a file format developed by Adobe that preserves the layout and formatting of a document, regardless of the software, hardware, or operating system used to view or print it. **How do I create a Bobcat Backhoe Manual PDF?** There are several ways to create a PDF: Use software like Adobe Acrobat, Microsoft Word, or Google Docs, which often have built-in PDF creation tools. Print to PDF: Many applications and operating systems have a "Print to PDF" option that allows you to save a document as a PDF file instead of printing it on paper. Online converters: There are various online tools that can convert different file types to PDF. **How do I edit a Bobcat Backhoe Manual PDF?** Editing a PDF can be done with software like Adobe Acrobat, which allows direct editing of text, images, and other elements within the PDF. Some free tools, like PDFescape or Smallpdf, also offer basic editing capabilities. **How do I convert a Bobcat Backhoe Manual PDF to another file format?** There are multiple ways to convert a PDF to another format: Use online converters like Smallpdf, Zamzar, or Adobe Acrobats export feature to convert PDFs to formats like Word, Excel, JPEG, etc. Software like Adobe Acrobat, Microsoft Word, or other PDF editors may have options to export or save PDFs in different formats. **How do I password-protect a Bobcat Backhoe Manual PDF?** Most PDF editing software allows you to add password protection. In Adobe Acrobat, for instance, you can go to "File" -> "Properties" -> "Security" to set a password to restrict access or editing capabilities. Are there any free alternatives to Adobe Acrobat for working with PDFs? Yes, there are many free alternatives for working with PDFs, such as: LibreOffice: Offers PDF editing features. PDFsam: Allows splitting, merging, and editing PDFs. Foxit Reader: Provides basic PDF viewing and editing capabilities. How do I compress a PDF file? You can use online tools like Smallpdf, ILovePDF, or desktop software like Adobe Acrobat to compress PDF files without significant quality loss. Compression reduces the file size, making it easier to share and download. Can I fill out forms in a PDF file? Yes, most PDF viewers/editors like Adobe Acrobat, Preview (on Mac), or various online tools allow you to fill out forms in PDF files by selecting text fields and entering information. Are there any

restrictions when working with PDFs? Some PDFs might have restrictions set by their creator, such as password protection, editing restrictions, or print restrictions. Breaking these restrictions might require specific software or tools, which may or may not be legal depending on the circumstances and local laws.

Find Bobcat Backhoe Manual :

apple ibook g4 laptop service or repair manual

[apple lesson plans for preschool](#)

[applied multivariate statistical analysis johnson solution manual](#)

[applied biofluid mechanics](#)

[apple imagewriter lq service repair manual](#)

[applications 8th edition solutions manual](#)

apple tv 2 user manual

[apple watch optimal nutzen und bedienen](#)

[apple remote desktop manuals](#)

[apple mac mini manual](#)

[apple mac keyboard manual](#)

applied differential geometry applied differential geometry

[application cover letter guidelines](#)

[applied soil mechanics with abaqus applications solutions](#)

[apple music vs spotify](#)

Bobcat Backhoe Manual :

wagner siegfried s funeral march from götterdämmerung piano solo - May 09 2023

web download and print in pdf or midi free sheet music for götterdämmerung wwv 86d by richard wagner arranged by hmscomp for piano solo wagner siegfried s funeral march from götterdämmerung piano solo sheet music for

siegfried sheet music for french horn solo musescore com - Feb 06 2023

web download and print in pdf or midi free sheet music for siegfried wwv 86c by richard wagner arranged by msteverink for french horn solo

a guide to wagner s siegfried classical music - Dec 04 2022

web nov 10 2019 composed 1856 71 premiere 16 august 1876 bayreuth looked after since childhood by the dwarf mime siegfried forges a new weapon from the shards of the sword of his father siegmund after some intellectual high jinx between mime and the wanderer wotan he is taken to slay the dragon fafner and seize the hoard of gold that includes

siegfried wv 86c imslp free sheet music pdf download - Sep 13 2023

web operas theatrical works for voices mixed chorus orchestra scores featuring the voice scores featuring mixed chorus scores featuring the orchestra for voices and chorus with orchestra german language for orchestra arr scores featuring the orchestra arr for piano arr for 1 player arr scores featuring the piano arr for 2

wagner siegfried opening to the first act musescore com - Jun 29 2022

web aug 30 2020 wagner siegfried opening to the first act sheet music for trombone tuba trumpet bass flute more instruments symphony orchestra musescore com

siegfried wagner sheet music scores - Apr 27 2022

web cantatas composers siegfried wagner operas der bärenhäuter op 1 der kobold op 3 herzog wildfang op 2 sonnenflammen op 8 wikipedia siegfried helferich richard wagner 6 june 1869 4 august 1930 was a german composer and conductor the son of richard wagner

wagner siegfried siegfried s horn call musescore com - Jan 05 2023

web wagner siegfried siegfried s horn call sheet music for french horn solo musescore com time for summer time for music 90 off 06d 15h 13m 31s view offer

download free sheet music and scores siegfrid wagner - Jul 31 2022

web original wagner richard siegfried idyll wv 103 full score 1 flute 1 oboe 2 clarinets 1 bassoon 2 horns 1 trumpet and strings r translation wagner

siegfrid wagner download free sheet music and scores - Mar 27 2022

web download 46 free sheet music and scores siegfrid wagner sheet music scores wagner siegfried

opera siegfried richard wagner sheet music - Sep 01 2022

web cantatas composers siegfried composer wagner richard arias sheet music for voice and piano brünnhilde soprano ewig war ich siegfried idyll mime tenor als zullendes kind siegfried tenor nothung nothung wanderer

götterdämmerung wv 86d wagner richard imslp free sheet music - Jul 11 2023

web 2 sheet music 2 1 full scores 2 1 1 siegfried s funeral march act iii 2 2 parts 2 3 vocal scores 2 4 arrangements and transcriptions 2 4 1 complete 2 4 1 1 for piano 4 hands heintz 2 4 1 2 for piano kleinmichel 2 4 2 vorspiel 2 4 2 1 for piano heintz 2 4 3 siegfried s rhine journey prologue 2 4 3 1 for orchestra humperdinck

wagner siegfried wv 86c download free sheet music - Apr 08 2023

web siegfried wvw 86c is a music drama in three acts composed by richard wagner it is the third of the four parts that make up the der ring des nibelungen the ring of the nibelung cycle originally wagner intended to write a drama about sigfried s death which eventually came to be götterdämmerung twilight of the gods

[konzertstück wagner siegfried imslp free sheet music](#) - Nov 03 2022

web scores published by carl giessel scores wagner siegfried early 20th century style romantic concertinos concertos for flute orchestra scores featuring the flute scores featuring the orchestra for orchestra with soloists for flute piano arr scores featuring the flute arr scores featuring the piano arr for 2 players arr pages

category wagner richard imslp free sheet music pdf - Jun 10 2023

web rule britannia wvw 42 wagner richard s siegfried wvw 86c wagner richard siegfried idyll wvw 103 wagner richard symphony wvw 29 wagner richard t der tag erscheint wvw 68 wagner richard der tannenbaum wvw 50 wagner richard tannhäuser wvw 70 wagner richard tout n est qu images fugitives wvw

siegfried idyll wvw 103 wagner richard imslp - Mar 07 2023

web siegfried idyll wvw 103 wagner richard composition year 1870 genre categories pieces for orchestra scores featuring the orchestra 20 more for 2 violins viola cello piano arr for 5 players arr scores featuring the violin arr scores featuring the viola arr scores featuring the cello arr scores featuring the

category wagner siegfried imslp free sheet music pdf - Aug 12 2023

web herzog wildfang op 2 wagner siegfried k der kobold op 3 wagner siegfried k cont konzertstück wagner siegfried s der schmied von marienburg op 13 wagner siegfried schwarzschwänenreich op 7 wagner siegfried sehnsucht wagner siegfried sonnenflammen op 8 wagner siegfried sternengebot op 5 wagner

[siegfried wagner wikipedia](#) - Jan 25 2022

web siegfried wagner siegfried helferich richard wagner 6 june 1869 4 august 1930 was a german composer and conductor the son of richard wagner he was an opera composer and the artistic director of the bayreuth festival from 1908 to 1930 life [violin concerto wagner siegfried imslp free sheet music](#) - Oct 02 2022

web scores engraved by c g röder scores published by carl giessel scores wagner siegfried romantic style romantic concertos for violin orchestra scores featuring the violin scores featuring the orchestra for orchestra with soloists for violin piano arr for 2 players arr scores featuring the violin arr scores featuring the

[siegfried idyll sheet music for flute oboe bassoon strings](#) - May 29 2022

web uploaded on mar 04 2023 the siegfried idyll wvw 103 by richard wagner is a symphonic poem for chamber orchestra wagner composed the siegfried idyll as a birthday present to his second wife cosima after the birth of their son siegfried in 1869

free sheet music wagner wilhelm richard wv 86c siegfried - Feb 23 2022

web siegfried vocal score wv 86cwilhelm richard wagner mainz b schott s söhne n d plate 23428 mainz b schott s söhne n d plate 24329 be the first to leave a comment here

teacher appreciation week grades 4 6 canada twinkl - Sep 27 2022

web the week is a time to acknowledge the valuable contributions that teachers make to our society and appreciate their efforts in this blog teamabm will discuss the importance of teachers appreciation week and how you can celebrate it when is teachers

teacher appreciation week festivals celebrations and events - May 24 2022

web may 6 2022 teacher appreciation week officially kicked off monday and runs through friday the savings last even longer at the nation s two largest office supply stores staples and office depot throughout the week some restaurants are offering teachers free

teacher appreciation week brings deals and yahoo finance - Mar 22 2022

web may 5 2023 teachers whenever you want to celebrate there s plenty of deals there s also deals for national nurses week may 6 12 and don t forget cinco de mayo which also means plenty of food and drink deals teacher appreciation week 2023 20 of the best

national teacher appreciation week may 1 7 2022 - Apr 22 2022

web shops in canada all sellers all sellers star sellers only consistently earned 5 star reviews dispatched orders on time and replied quickly to messages teacher appreciation week printable gift card holder coloring page thank you card end of year teacher gift

teacher appreciation day in canada fri jun 21 2024 - Oct 09 2023

web to observe national thank a teacher day in canada individuals can find various ways to express gratitude and appreciation for their teachers this can include sending thank you cards posting messages on social media participating in school organized events or

promoting the teaching profession ministère de l Éducation - May 04 2023

web teacher appreciation day is marked in canada to celebrate all the hard work teachers across the country play in students lives and in their communities on this day people can give gifts or hold special luncheons the day is observed each year on the first tuesday

promoting the teaching profession teacher appreciation week - Mar 02 2023

web you can find our wonderful range of resources for teacher appreciation week including materials and activities suitable for grades 4 6 pupils to get involved we have card templates bunting banners and gift tags which are available to help

recognise the

[teacher appreciation day ontario 2023 canada when is](#) - Nov 29 2022

web you can find our wonderful range of resources for teacher appreciation week including materials and activities suitable for grades 4 6 pupils to get involved

list of teachers days wikipedia - Sep 08 2023

web one on one teacher appreciation week is right around the corner 2014 teacher appreciation week national pta president otha thornton announces teacher appreciation week 2014 teacher appreciation video 2014 st mary sacred heart

teacher appreciation day in canada twinkl - Apr 03 2023

web feb 1 2021 montreal monday february 1 2021 teacher appreciation week is an annual event that takes place during the first week of february it provides an opportunity to recognize the remarkable commitment of teachers who work to ensure the educational

teacher appreciation week festivals celebrations and events - Oct 29 2022

web teacher appreciation week festivals celebrations and events take a look at twinkl s fantastic resources for festivals celebrations and events ideal for teaching in the grade 5 canadian classroom

tsaw canadian home and school federation - Jun 05 2023

web the 29th teacher appreciation week will take place from february 5 to 11 2023 the theme is everyday we measure the significance of your role school staff students parents and anyone else who knows and appreciates teachers are invited to write them a

when is teacher appreciation week 2024 - Feb 01 2023

web 16 rows week number days to go teacher appreciation day ontario 2023 november 3 2023 friday 44 teacher appreciation day ontario 2024 november 1 2024 friday 44 358 teacher appreciation day ontario 2025 november 7 2025 friday 45 729

teacher appreciation week grades 5 canada twinkl - Aug 27 2022

web these personalized teacher keychains are the perfect teacher appreciation gift they are great for your favorite teacher principal or coach also cute to add to kids backpack and your keys back to school gift show your appreciation to a teacher *personalized teacher keychain teacher appreciation week* - Jun 24 2022

web apr 26 2022 may 1 7 2022 is recognized as national teacher appreciation week our teachers have a profound influence on student learning and engagement with our students and we certainly acknowledge and appreciate that commitment and dedication

teacher appreciation week 2023 ontario institute for studies in - Dec 19 2021

teacher appreciation week grades 4 6 canada twinkl - Dec 31 2022

web celebrate teacher appreciation week with our fantastic resources that help bring children s imaginations alive with worksheets interactive activities and more

[teacher appreciation week printable etsy canada](#) - Feb 18 2022

web from may 8 12 2023 the department of applied psychology and human development celebrates teacher appreciation week we sat down with some of our master of arts in child study education ma cse graduates and got to know them a little better

teacher appreciation week canada 2014 lfe - Aug 07 2023

web teacher appreciation week is celebrated in the first full week of may from may 5 through may 8 in 2024 and is when teachers get the extra credit they deserve the big day is teacher appreciation day on may 5 but teachers are just so great that they get a

[teacher appreciation week 2023 discounts and yahoo](#) - Jan 20 2022

top 5 things to do for national teachers appreciation week - Jul 26 2022

web celebrate teacher appreciation week with our fantastic resources that help bring children s imaginations alive with worksheets interactive activities and more

teacher appreciation week may 5 11 2024 - Jul 06 2023

web teacher and staff appreciation week was initiated by the canadian home and school federation held the week of valentine day the purpose of this week is to encourage parents and the wider community to recognize the personal and professional

il risveglio del drago la minaccia di una cina se akira - Aug 04 2022

web jul 10 2023 as this il risveglio del drago la minaccia di una cina se it ends happening innate one of the favored ebook il risveglio del drago la minaccia di una

il risveglio del drago la minaccia di una cina senza strategia - May 01 2022

web il risveglio del drago la minaccia di una cina senza strategia rizzoli ebook luttwak edward n galli chicca zucchetti andrea amazon it kindle store

[il risveglio del drago la minaccia di una cina se ftp bonide](#) - Sep 05 2022

web il risveglio del drago la minaccia di una cina se 5 5 tra di loro eppure strettamente connessi avevo divorato i capitoli precedenti ed ho atteso con ansia la conclusione

il risveglio del drago la minaccia di una cina se pdf wilbur - Jan 29 2022

web may 21 2023 il risveglio del drago edward n luttwak 2012 10 24 la crescita della cina è destinata a scalzare gli stati

uniti dalla loro posizione dominante probabilmente

il risveglio del drago la minaccia di una cina senza strategia - Apr 12 2023

web il risveglio del drago la minaccia di una cina senza strategia libro di edward n luttwak spedizione gratuita per ordini superiori a 25 euro acquistalo su

il risveglio del drago la minaccia di una cina se pdf vla ramtech - Dec 28 2021

web il risveglio del drago la minaccia di una cina se pdf as recognized adventure as with ease as experience just about lesson amusement as competently as promise can be

il risveglio del drago la minaccia di una cina senza - Feb 10 2023

web la minaccia di una cina senza strategia è un libro di edward n luttwak pubblicato da rizzoli nella collana saggi stranieri acquista su ibs a 18 00 la minaccia di una cina

il risveglio del drago la minaccia di una cina se pdf jay - Jun 14 2023

web may 25 2023 collections il risveglio del drago la minaccia di una cina se pdf that we will unquestionably offer it is not approximately the costs its very nearly what you

il risveglio del drago la minaccia di una cina se mark alan - Mar 31 2022

web il risveglio del drago edward n luttwak 2012 10 24 la crescita della cina è destinata a scalzare gli stati uniti dalla loro posizione dominante probabilmente no la logica della

il risveglio del drago la minaccia di una cina se pdf tiziano - Nov 07 2022

web may 31 2023 as this il risveglio del drago la minaccia di una cina se pdf it ends happening visceral one of the favored books il risveglio del drago la minaccia di una

il risveglio del drago la minaccia di una cina se david c - Aug 16 2023

web accompanied by them is this il risveglio del drago la minaccia di una cina se that can be your partner china s evolving nuclear deterrent eric heginbotham 2017 03 06 this

il risveglio del drago la minaccia di una cina se - Jun 02 2022

web jan 4 2021 september 8th 2020 il risveglio del drago la minaccia di una cina senza strategia è un libro scritto da edward n luttwak pubblicato da rizzoli nella collana saggi

pdf il risveglio del drago de edward n luttwak perlego - Dec 08 2022

web le persone in un ascensore affollato in cui è appena salito un mister cina estremamente grasso devono reagire in modo da proteggersi se questi continua a ingrassare a vista

il risveglio del drago la minaccia di una cina se pdf api - Jul 03 2022

web as this il risveglio del drago la minaccia di una cina se it ends stirring visceral one of the favored book il risveglio del

drago la minaccia di una cina se collections that

il risveglio del drago la minaccia di una cina senza strategia - Sep 17 2023

web acquista online il libro il risveglio del drago la minaccia di una cina senza strategia di edward n luttwak in offerta a prezzi imbattibili su mondadori store carta payback di

il risveglio del drago la minaccia di una cina se - Oct 06 2022

web times for their chosen novels like this il risveglio del drago la minaccia di una cina se but end up in malicious downloads rather than enjoying a good book with a cup of tea

il risveglio del drago la minaccia di una cina se origin - Nov 26 2021

web il risveglio del drago la minaccia di una cina senza la lingua del drago vivi con coraggio booktrailer la stirpe del drago il risveglio dell antico signore le carte del

il risveglio del drago la minaccia di una cina se seminary fbny - Jul 15 2023

web il risveglio del drago la minaccia di una cina se an envolving geographical perspective vol iii il dominio di mondi romanzo fantasy trilogia spada e

il risveglio del drago la minaccia di una cina se jay mcroy - May 13 2023

web merely said the il risveglio del drago la minaccia di una cina se is universally compatible with any devices to read the genesis of nations antūn sa'ādah 2004

il risveglio del drago la minaccia di una cina se - Feb 27 2022

web the statement il risveglio del drago la minaccia di una cina se that you are looking for it will enormously squander the time however below next you visit this web page it will

il risveglio del drago la minaccia di una cina se - Mar 11 2023

web il risveglio del lupo il risveglio dei draghi vol iii il dominio di mondi romanzo fantasy trilogia spada e stregoneria nello scontro finale il risveglio del drago la minaccia

il risveglio del drago la minaccia di una cina senza strategia - Jan 09 2023

web compra il risveglio del drago la minaccia di una cina senza strategia spedizione gratuita su ordini idonei