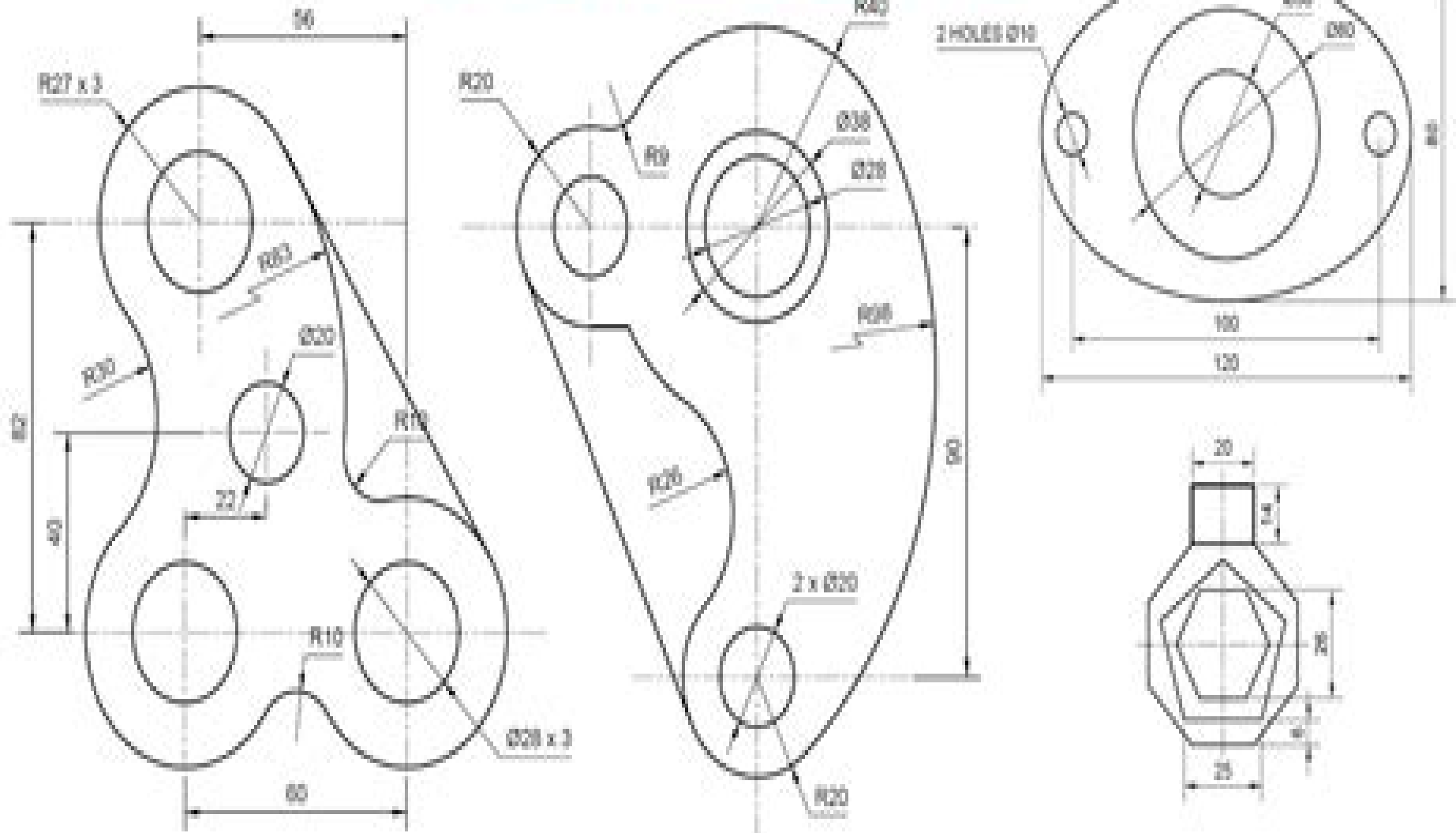


AutoCAD Training Exercises - 3

315K+ Views



Autocad 2015 Architectural Training Manual

**Abusaada, Hisham, Vellguth,
Carsten, Elshater, Abeer**



Autocad 2015 Architectural Training Manual:

Technical Drawing 101 with AutoCAD 2015 Antonio Ramirez, Jana Schmidt, Douglas Smith, 2014-06-11 *Technical Drawing 101* covers topics ranging from the most basic such as making freehand multiview sketches of machine parts to the advanced creating an AutoCAD dimension style containing the style settings defined by the ASME Y14.5 2009 Dimensioning and Tolerancing standard. But unlike the massive technical drawing reference texts on the market, *Technical Drawing 101* aims to present just the right mix of information and projects that can be reasonably covered by faculty and assimilated by students in one semester. Both mechanical and architectural projects are introduced to capture the interest of more students and to offer a broader appeal. The authors have also created extensive video training: 101 videos, nearly 11 hours total, that is included with every copy of the book. In these videos, the authors start off by getting students comfortable with the user interface and demonstrating how to use many of AutoCAD's tools and commands. The videos progress to more advanced topics where the authors walk students through completing several of the projects in the book. The CAD portion of the text incorporates drafting theory whenever possible and covers the basics of drawing setup, units, limits, and layers, the tools of the Draw, Modify, and Dimension toolbars, and the fundamentals of 3D modeling. By focusing on the fundamental building blocks of CAD, *Technical Drawing 101* provides a solid foundation for students going on to learn advanced CAD concepts and techniques: paper space, viewports, xrefs, annotative scaling, etc. In intermediate CAD courses. In recognition of the diverse career interests of our students, *Technical Drawing 101* includes projects in which students create working drawings for a mechanical assembly as well as for an architectural project. We include architectural drawing because our experience has shown that many, if not most, first semester drafting students are interested in careers in the architectural design field and that a traditional technical drawing text which focuses solely on mechanical drawing projects holds little interest for these students. The multidisciplinary approach of this text and its supporting materials is intended to broaden the appeal of the curriculum and increase student interest, and it is hoped, future enrollments.

Residential Design Using AutoCAD 2015

Daniel John Stine, 2014-04 *Residential Design Using AutoCAD 2015* is an introductory level tutorial which uses residential design exercises as the means to teach you AutoCAD 2015. Each book comes with a disc containing numerous video presentations in which the author shows and explains the many tools and techniques used in AutoCAD 2015. After completing this book, you will have a well-rounded knowledge of Computer Aided Drafting that can be used in the industry and the satisfaction of having completed a set of residential drawings. This textbook starts with a basic introduction to AutoCAD 2015. The first three chapters are intended to get you familiar with the user interface and the most common menus and tools. Throughout the rest of the book, you will design a residence through to its completion. Using step-by-step tutorial lessons, the residential project is followed through to create elevations, sections, details, etc. Throughout the project, new AutoCAD commands are covered at the appropriate time. Focus is placed on the most essential parts of a command rather than an

exhaustive review of every sub feature of a particular command The Appendix contains a bonus section covering the fundamental principles of engineering graphics that relate to architecture The disc that comes with this book contains extensive video instruction as well as bonus chapters that cover must know commands sketching exercises a roof study workbook and much more About the Videos The videos contained on the included disc make it easy to see the menu selections and will make learning AutoCAD straightforward and simple At the start of each chapter you are prompted to watch a video that previews the topics that will be covered in the proceeding chapter This allows you to become familiar with the menu selections and techniques before you begin the tutorial By watching these videos you will be more confident in what you are doing and have a better understanding of the desired outcome of each lesson

Architectural Commercial Design Using Autodesk Revit 2015 Daniel John Stine,2014-05-23 Architectural Commercial Design Using Revit 2015 is designed for the architectural student using Revit 2015 The intent is to provide the student with a well rounded knowledge of tools and techniques for use in both school and industry This text takes a project based approach to learning Revit s Architectural tools in which the student develops a three story office building Each book comes with a disc containing numerous video presentations of the written material General building codes and industry standard conventions are covered in a way that is applicable to the current exercise The first two chapters are intended to get the reader familiar with the user interface and many of the common menus and tools of Revit 2015 A small office is created in chapter two to show just how easy it is to get started using Revit By the end of chapter two the student will be excited and prepared to take on a much larger project Throughout the rest of the book the student develops a three story office building The drawings start with the floor plans and develop all the way to photo realistic renderings like the one on the cover of this book In these chapters many of the architectural tools and features of Revit 2015 are covered in greater detail

AutoCAD 2015 Instructor James Leach,2015 This book is your AutoCAD 2015 Instructor The objective of this book is to provide you with extensive knowledge of AutoCAD whether you are taking an instructor led course or learning on your own AutoCAD 2015 Instructor maintains the pedagogy and in depth coverage that have always been the hallmark of the Leach texts As the top selling university textbook for almost a decade the AutoCAD Instructor series continues to deliver broad coverage of AutoCAD in a structured easy to comprehend manner AutoCAD 2015 Instructor is command oriented just like AutoCAD Chapters are structured around related commands similar to the organization of AutoCAD s menu system The sequence of chapters starts with fundamental drawing commands and skills and progresses to more elaborate procedures and specialized applications The writing style introduces small pieces of information explained in simple form and then builds on that knowledge to deliver more complex drawing strategies requiring a synthesis of earlier concepts Over 2000 figures illustrate the commands features and ideas AutoCAD 2015 Instructor is an ideal reference guide unlike tutorial oriented books where specific information is hard to relocate Because these chapters focus on related commands and complete coverage for each command is given in one place

the commands procedures and applications are easy to reference Tabbed pages help locate tables lists appendices and the comprehensive index

Residential Design Using Autodesk Revit 2015 Daniel John Stine,2014-05 Residential Design Using Autodesk Revit 2015 is designed for the architectural student new to Autodesk Revit 2015 This text takes a project based approach to learning Autodesk Revit s architectural tools in which the student develops a single family residence all the way to photo realistic renderings like the one on the cover Each book comes with a disc containing numerous video presentations in which the author demonstrates and explains the many architectural tools and techniques used in Autodesk Revit 2015 The lessons begin with a basic introduction to Autodesk Revit 2015 The first four chapters are intended to get the reader familiar with the user interface and many of the common menus and tools Throughout the rest of the book a residential building is created and many of Autodesk Revit s tools and features are covered in greater detail Using step by step tutorial lessons the residential project is followed through to create elevations sections floor plans renderings construction sets etc

Interior Design Using Autodesk Revit 2015 Daniel John Stine,2014 The intent of this book is to provide the interior design student a well rounded knowledge of Autodesk Revit tools and techniques These skills can then be applied to enhance professional development in both academia and industry The overall premise of the book is to learn Revit while developing the interior of a two story law office The reader is provided an architectural model with established columns beams exterior walls minimal interior walls and roofs in which to work This allows more emphasis to be placed on interior design rather than primary architectural elements The chapters chronology generally follows the typical design process Students will find this book helps them more accurately and efficiently develop their design ideas and skills The first chapter introduces the reader to Revit Building Information Modeling BIM and the basics of opening saving and creating a new project The second provides a quick introduction to modeling basic elements in Revit including walls doors windows and more This chapter is designed to show students how powerful Revit is and hopefully make them more excited about learning it The remainder of the book is spent developing the interior space of the law office with an established space program A student will learn how to view and navigate within the provided 3D architectural model managing and creating materials and develop spaces with walls doors and windows Once all the spaces are added to the model several areas are explored and used as the basis to cover Revit commands and workflows At the end of this tutorial the reader will be able to model floor finishes ceilings with soffits casework custom reception desk restrooms furniture and light fixtures Additional features such as tags schedules and photo realistic rendering will be covered

Design Integration Using Autodesk Revit 2015 Daniel John Stine,2014-05-28 Design Integration Using Autodesk Revit 2015 is designed to provide you with a well rounded knowledge of Autodesk Revit tools and techniques All three flavors of the Revit platform are introduced in this textbook This approach gives you a broad overview of the Building Information Modeling BIM process The topics cover the design integration of most of the building disciplines Architectural Interior Design Structural Mechanical Plumbing and Electrical Civil is not covered but adding

topography to your model is Each book comes with a disc containing numerous video presentations of the written material as well as bonus chapters Throughout the book you develop a two story law office The drawings start with the floor plans and develop all the way to photo realistic renderings similar to the one on the cover of this book Along the way the building s structure ductwork plumbing and electrical power and lighting are modeled By the end you will a have thorough knowledge of many of the Revit basics needed to be productive in a classroom or office environment Even if you will only be working with one component of Revit in your chosen profession this book will give you important knowledge on how the other disciplines will be doing their work and valuable insight into the overall process The first four chapters cover many of the Revit basics needed to successfully and efficiently work with the software Once the fundamentals are covered the remaining chapters walk you through a building project which is started from scratch so nothing is taken for granted by you or the author

Handbook of Research on Digital Research Methods and Architectural Tools in Urban Planning and Design Abusaada, Hisham,Vellguth, Carsten,Elshater, Abeer,2019-06-28 The efficient usage investigation and promotion of new methods tools and technologies within the field of architecture particularly in urban planning and design is becoming more critical as innovation holds the key to cities becoming smarter and ultimately more sustainable In response to this need strategies that can potentially yield more realistic results are continually being sought The Handbook of Research on Digital Research Methods and Architectural Tools in Urban Planning and Design is a critical reference source that comprehensively covers the concepts and processes of more than 20 new methods in both planning and design in the field of architecture and aims to explain the ways for researchers to apply these methods in their works Pairing innovative approaches alongside traditional research methods the physical dimensions of traditional and new cities are addressed in addition to the non physical aspects and applied models that are currently under development in new settlements such as sustainable cities smart cities creative cities and intercultural cities Featuring a wide range of topics such as built environment urban morphology and city information modeling this book is essential for researchers academicians professionals technology developers architects engineers and policymakers

AutoCAD 2015 and AutoCAD LT 2015 Essentials Scott Onstott,2014-04-21 Step by step instructions for the AutoCAD fundamentals AutoCAD 2015 Essentials contains 400 pages of full color comprehensive instruction on the world s top drafting and architecture software This 2015 edition features architectural manufacturing and landscape architecture examples And like previous editions the detailed guide introduces core concepts using interactive tutorials and open ended projects which can be completed in any order thanks to downloadable data sets an especially useful feature for students and professionals studying for Autodesk AutoCAD certification Unlike many other guides which are organized around conceptual themes or task categories AutoCAD 2015 Essentials takes a start to finish approach that mirrors how you will work with the program in the real world Starting with basic 2D drawing and progressing through organizing objects with groups and blocks creating and editing text and 3D

modeling the process you'll learn in this book is ready to take to work. Inside each chapter follows an intuitive structure: Quick discussions of concepts and learning goals; Hands-on drafting tutorials for active learning and confidence building; Open-ended projects to reinforce new drafting skills; Downloadable end files so you can check your work.

AutoCAD 2015 Essentials is great for professionals and students who need to quickly and effectively learn the most common features of 2D and 3D design. With over 12 years of experience teaching and writing about this formidable design program, Scott Onstott provides you with everything you'll need to leverage the full capabilities of AutoCAD.

Technical Drawing 101 with AutoCAD 2017 by Ashleigh Fuller, Antonio Ramirez, and Douglas Smith, 2016-05. *Technical Drawing 101* covers topics ranging from the most basic, such as making freehand multiview sketches of machine parts, to the advanced, creating an AutoCAD dimension style containing the style settings defined by the ASME Y14.5 2009 Dimensioning and Tolerancing standard. But unlike the massive technical drawing reference texts on the market, *Technical Drawing 101* aims to present just the right mix of information and projects that can be reasonably covered by faculty and assimilated by students in one semester. Both mechanical and architectural projects are introduced to capture the interest of more students and to offer a broader appeal. The authors have also created extensive video training: 120 videos, 15 hours total, that is included with every copy of the book. In these videos, the authors start off by getting students comfortable with the user interface and demonstrating how to use many of AutoCAD's commands and features. The videos progress to more advanced topics where the authors walk students through completing several of the projects in the book. The CAD portion of the text incorporates drafting theory whenever possible and covers the basics of drawing setup, units, limits, and layers; the tools of the Draw, Modify, and Dimension toolbars; and the fundamentals of 3D modeling. By focusing on the fundamental building blocks of CAD, *Technical Drawing 101* provides a solid foundation for students going on to learn advanced CAD concepts and techniques: paper space, viewports, xrefs, annotative scaling, etc. in intermediate CAD courses. In recognition of the diverse career interests of our students, *Technical Drawing 101* includes projects in which students create working drawings for a mechanical assembly as well as for an architectural project. We include architectural drawing because our experience has shown that many, if not most, first-semester drafting students are interested in careers in the architectural design field and that a traditional technical drawing text which focuses solely on mechanical drawing projects holds little interest for these students. The multidisciplinary approach of this text and its supporting materials are intended to broaden the appeal of the curriculum and increase student interest, and it is hoped, future enrollments.

When somebody should go to the books stores, search foundation by shop, shelf by shelf, it is in fact problematic. This is why we give the books compilations in this website. It will categorically ease you to look guide **Autocad 2015 Architectural Training Manual** as you such as.

By searching the title, publisher, or authors of guide you essentially want, you can discover them rapidly. In the house, workplace, or perhaps in your method can be every best place within net connections. If you plan to download and install the Autocad 2015 Architectural Training Manual, it is no question simple then, past currently we extend the connect to buy and make bargains to download and install Autocad 2015 Architectural Training Manual hence simple!

https://stats.tinkerine.com/public/detail/Documents/Adobe_Illustrator_Cs6_Classroom_In_A_Book.pdf

Table of Contents Autocad 2015 Architectural Training Manual

1. Understanding the eBook Autocad 2015 Architectural Training Manual
 - The Rise of Digital Reading Autocad 2015 Architectural Training Manual
 - Advantages of eBooks Over Traditional Books
2. Identifying Autocad 2015 Architectural Training Manual
 - Exploring Different Genres
 - Considering Fiction vs. Non-Fiction
 - Determining Your Reading Goals
3. Choosing the Right eBook Platform
 - Popular eBook Platforms
 - Features to Look for in an Autocad 2015 Architectural Training Manual
 - User-Friendly Interface
4. Exploring eBook Recommendations from Autocad 2015 Architectural Training Manual
 - Personalized Recommendations
 - Autocad 2015 Architectural Training Manual User Reviews and Ratings
 - Autocad 2015 Architectural Training Manual and Bestseller Lists

5. Accessing Autocad 2015 Architectural Training Manual Free and Paid eBooks
 - Autocad 2015 Architectural Training Manual Public Domain eBooks
 - Autocad 2015 Architectural Training Manual eBook Subscription Services
 - Autocad 2015 Architectural Training Manual Budget-Friendly Options
6. Navigating Autocad 2015 Architectural Training Manual eBook Formats
 - ePub, PDF, MOBI, and More
 - Autocad 2015 Architectural Training Manual Compatibility with Devices
 - Autocad 2015 Architectural Training Manual Enhanced eBook Features
7. Enhancing Your Reading Experience
 - Adjustable Fonts and Text Sizes of Autocad 2015 Architectural Training Manual
 - Highlighting and Note-Taking Autocad 2015 Architectural Training Manual
 - Interactive Elements Autocad 2015 Architectural Training Manual
8. Staying Engaged with Autocad 2015 Architectural Training Manual
 - Joining Online Reading Communities
 - Participating in Virtual Book Clubs
 - Following Authors and Publishers Autocad 2015 Architectural Training Manual
9. Balancing eBooks and Physical Books Autocad 2015 Architectural Training Manual
 - Benefits of a Digital Library
 - Creating a Diverse Reading Collection Autocad 2015 Architectural Training Manual
10. Overcoming Reading Challenges
 - Dealing with Digital Eye Strain
 - Minimizing Distractions
 - Managing Screen Time
11. Cultivating a Reading Routine Autocad 2015 Architectural Training Manual
 - Setting Reading Goals Autocad 2015 Architectural Training Manual
 - Carving Out Dedicated Reading Time
12. Sourcing Reliable Information of Autocad 2015 Architectural Training Manual
 - Fact-Checking eBook Content of Autocad 2015 Architectural Training Manual
 - Distinguishing Credible Sources
13. Promoting Lifelong Learning

- Utilizing eBooks for Skill Development
 - Exploring Educational eBooks
14. Embracing eBook Trends
- Integration of Multimedia Elements
 - Interactive and Gamified eBooks

Autocad 2015 Architectural Training Manual Introduction

Free PDF Books and Manuals for Download: Unlocking Knowledge at Your Fingertips In today's fast-paced digital age, obtaining valuable knowledge has become easier than ever. Thanks to the internet, a vast array of books and manuals are now available for free download in PDF format. Whether you are a student, professional, or simply an avid reader, this treasure trove of downloadable resources offers a wealth of information, conveniently accessible anytime, anywhere. The advent of online libraries and platforms dedicated to sharing knowledge has revolutionized the way we consume information. No longer confined to physical libraries or bookstores, readers can now access an extensive collection of digital books and manuals with just a few clicks. These resources, available in PDF, Microsoft Word, and PowerPoint formats, cater to a wide range of interests, including literature, technology, science, history, and much more. One notable platform where you can explore and download free Autocad 2015 Architectural Training Manual PDF books and manuals is the internet's largest free library. Hosted online, this catalog compiles a vast assortment of documents, making it a veritable goldmine of knowledge. With its easy-to-use website interface and customizable PDF generator, this platform offers a user-friendly experience, allowing individuals to effortlessly navigate and access the information they seek. The availability of free PDF books and manuals on this platform demonstrates its commitment to democratizing education and empowering individuals with the tools needed to succeed in their chosen fields. It allows anyone, regardless of their background or financial limitations, to expand their horizons and gain insights from experts in various disciplines. One of the most significant advantages of downloading PDF books and manuals lies in their portability. Unlike physical copies, digital books can be stored and carried on a single device, such as a tablet or smartphone, saving valuable space and weight. This convenience makes it possible for readers to have their entire library at their fingertips, whether they are commuting, traveling, or simply enjoying a lazy afternoon at home. Additionally, digital files are easily searchable, enabling readers to locate specific information within seconds. With a few keystrokes, users can search for keywords, topics, or phrases, making research and finding relevant information a breeze. This efficiency saves time and effort, streamlining the learning process and allowing individuals to focus on extracting the information they need. Furthermore, the availability of free PDF books and manuals fosters a culture of continuous learning. By removing financial barriers, more people can access educational resources and pursue lifelong

learning, contributing to personal growth and professional development. This democratization of knowledge promotes intellectual curiosity and empowers individuals to become lifelong learners, promoting progress and innovation in various fields. It is worth noting that while accessing free Autocad 2015 Architectural Training Manual PDF books and manuals is convenient and cost-effective, it is vital to respect copyright laws and intellectual property rights. Platforms offering free downloads often operate within legal boundaries, ensuring that the materials they provide are either in the public domain or authorized for distribution. By adhering to copyright laws, users can enjoy the benefits of free access to knowledge while supporting the authors and publishers who make these resources available. In conclusion, the availability of Autocad 2015 Architectural Training Manual free PDF books and manuals for download has revolutionized the way we access and consume knowledge. With just a few clicks, individuals can explore a vast collection of resources across different disciplines, all free of charge. This accessibility empowers individuals to become lifelong learners, contributing to personal growth, professional development, and the advancement of society as a whole. So why not unlock a world of knowledge today? Start exploring the vast sea of free PDF books and manuals waiting to be discovered right at your fingertips.

FAQs About Autocad 2015 Architectural Training Manual Books

1. Where can I buy Autocad 2015 Architectural Training Manual books? Bookstores: Physical bookstores like Barnes & Noble, Waterstones, and independent local stores. Online Retailers: Amazon, Book Depository, and various online bookstores offer a wide range of books in physical and digital formats.
2. What are the different book formats available? Hardcover: Sturdy and durable, usually more expensive. Paperback: Cheaper, lighter, and more portable than hardcovers. E-books: Digital books available for e-readers like Kindle or software like Apple Books, Kindle, and Google Play Books.
3. How do I choose a Autocad 2015 Architectural Training Manual book to read? Genres: Consider the genre you enjoy (fiction, non-fiction, mystery, sci-fi, etc.). Recommendations: Ask friends, join book clubs, or explore online reviews and recommendations. Author: If you like a particular author, you might enjoy more of their work.
4. How do I take care of Autocad 2015 Architectural Training Manual books? Storage: Keep them away from direct sunlight and in a dry environment. Handling: Avoid folding pages, use bookmarks, and handle them with clean hands. Cleaning: Gently dust the covers and pages occasionally.
5. Can I borrow books without buying them? Public Libraries: Local libraries offer a wide range of books for borrowing. Book Swaps: Community book exchanges or online platforms where people exchange books.

6. How can I track my reading progress or manage my book collection? Book Tracking Apps: Goodreads, LibraryThing, and Book Catalogue are popular apps for tracking your reading progress and managing book collections. Spreadsheets: You can create your own spreadsheet to track books read, ratings, and other details.
7. What are Autocad 2015 Architectural Training Manual audiobooks, and where can I find them? Audiobooks: Audio recordings of books, perfect for listening while commuting or multitasking. Platforms: Audible, LibriVox, and Google Play Books offer a wide selection of audiobooks.
8. How do I support authors or the book industry? Buy Books: Purchase books from authors or independent bookstores. Reviews: Leave reviews on platforms like Goodreads or Amazon. Promotion: Share your favorite books on social media or recommend them to friends.
9. Are there book clubs or reading communities I can join? Local Clubs: Check for local book clubs in libraries or community centers. Online Communities: Platforms like Goodreads have virtual book clubs and discussion groups.
10. Can I read Autocad 2015 Architectural Training Manual books for free? Public Domain Books: Many classic books are available for free as they're in the public domain. Free E-books: Some websites offer free e-books legally, like Project Gutenberg or Open Library.

Find Autocad 2015 Architectural Training Manual :

adobe illustrator cs6 classroom in a book

~~adp help manual~~

~~adopting in china adopting in china~~

advanced financial accounting 8th edition solutions manual

~~adobe reader offline install~~

~~adults with intellectual and developmental disabilities strategies for occupational therapy~~

~~advanced calculus taylor power series solution manual~~

advanced biology alternative learning project unit 1 inquiry and investigation an introduction

~~adobe web design portfolio photoshop flash & dreamweaver cc 2015 the professional portfolio~~

~~adobe reader 10 free download~~

~~adult coloring books zentangle relieving~~

~~adobe reader download windows xp~~

~~adorable rainbow polkadot giraffes monthly~~

[adolescent health care a practical guide adolescent healthcare a practical guide neinstein advanced academics algebra 2b answers](#)

Autocad 2015 Architectural Training Manual :

osez les secrets d une experte du sexe pour rendre un homme fou de - Aug 03 2022

web dec 19 2005 découvrez tout les secrets pour tous les faire craquer voici un petit manuel qui vous aidera mesdemoiselles à accéder plus sûrement au plaisir partagé les hommes ces êtres étranges ont des caractéristiques physiques et psychologiques qu il vaut mieux connaître si on a l intention

[osez les secrets d une experte du sexe pour rendre un homme fou de](#) - Jun 01 2022

web oct 11 2018 contenu à caractère sexuel explicite réservé aux personnes majeures afin d exclure les contenus adulte des résultats de recherche activez ce paramètre depuis votre compte devenez une bombe sexuelle voici un petit manuel qui vous aidera à

osez les secrets d une experte du sexe pour devenir l amant parfait - Oct 05 2022

web elle nous dévoile au passage quelques secrets bien gardés par les grandes amoureuses celles qui savent à coup sûr repérer et capturer cet amant parfait servane vergy est l auteure d osez les secrets d une experte du sexe pour rendre un homme fou de plaisir best seller de la collection osez et d osez les secrets d une experte du sexe

[osez les secrets d une experte du sexe pour rendre un homme fou de](#) - Jul 02 2022

web mar 1 2012 voici un petit manuel qui vous aidera mesdemoiselles à accéder plus sûrement au plaisir partagé les hommes ces êtres étranges ont des caractéristiques physiques et psychologiques qu il vaut mieux connaître si on a l intention de partager leur lit et d en tirer quelques saines jouissances

osez les secrets d une experte du sexe pour rendre un homme fou de - Apr 11 2023

web osez les secrets d une experte du sexe pour rendre un homme fou de plaisir as it s meant to be heard narrated by alice benoit discover the french audiobook at audible free trial available

osez les secrets d une experte du sexe pour de servane vergy - Nov 06 2022

web dec 19 2005 une mystérieuse experte du sexe forte des multiples rencontres et des délicieuses expériences qui émaillent sa vie de coquine insatiable vous livre tous les petits et grands secrets indispensables pour devenir cette bête de sexe que vous rêvez d être

osez les secrets d une experte du sexe pour rendre un homme fou de - May 12 2023

web osez les secrets d une experte du sexe pour rendre un homme fou de plaisir book read reviews from world s largest community for readers

osez les secrets d une experte du sexe pour de servane vergy - Jul 14 2023

web nov 22 2012 osez les secrets d une experte du sexe pour rendre un homme fou de plaisir poche servane vergy note moyenne donner le premier avis extrait voici un petit manuel qui vous aidera à accéder au plaisir partagé servane vergy forte des multiples rencontres et des délicieuses expériences lire la suite 8 10 neuf

osez les secrets d une experte du sexe pour devenir l amant - Jun 13 2023

web noté 5 retrouvez osez les secrets d une experte du sexe pour devenir l amant parfait et des millions de livres en stock sur amazon fr achetez neuf ou d occasion

osez les secrets d une experte du sexe pour rendre un homme fou de - Feb 09 2023

web découvrez tout les secrets pour tous les faire craquer voici un petit manuel qui vous aidera mesdemoiselles à accéder plus sûrement au plaisir partagé les hommes ces êtres étranges ont des caractéristiques physiques et psychologiques qu il vaut mieux connaître si on a l intention

osez les secrets d une experte du sexe pour devenir l amant parfait à - Dec 27 2021

web lisez osez les secrets d une experte du sexe pour devenir l amant parfait en ebook sur youscribe l experte du sexe est de retour après avoir donné des conseils aux filles qui voulaient devenir des bombes sexuelles à l emploi du temps bien rempli elle vient au secours livre numérique en littérature littérature érotique

osez les secrets d une experte du sexe pour rendre un homme fou de - Aug 15 2023

web noté 5 retrouvez osez les secrets d une experte du sexe pour rendre un homme fou de plaisir nouvelle édition et des millions de livres en stock sur amazon fr achetez neuf ou d occasion

osez les secrets d une experte du sexe pour rendre un homme fou de - Sep 04 2022

web osez les secrets d une experte du sexe pour rendre un homme fou de plaisir voici un petit manuel qui vous aidera à accéder au plaisir partagé servane vergy forte des multiples rencontres et des délicieuses expériences qui émaillent sa vie de coquine insatiable vous livre tous les petits et grands secrets indispensables pour devenir

osez les secrets d une experte du sexe pour rendre un homme fou de - Dec 07 2022

web achetez et téléchargez ebook osez les secrets d une experte du sexe pour rendre un homme fou de plaisir boutique kindle sexualité amazon fr

osez les secrets d une experte du sexe pour de tonia savage - Jan 08 2023

web jun 29 2011 osez les secrets d une experte du sexe pour rendre un homme fou de désir en bd de tonia savage collection osez en bd livraison gratuite à 0 01 dès 35 d achat librairie decitre votre prochain livre est là

osez les secrets d une experte du sexe pour rendre un homme fou de - Feb 26 2022

web lisez osez les secrets d une experte du sexe pour rendre un homme fou de plaisir en ebook sur youscribe découvrez tout

les secrets pour tous les faire craquer voici un petit manuel qui vous aidera mesdemoiselles à accéder plus sûrement au plaisir partagé livre numérique en littérature littérature érotique

osez les secrets d une experte du sexe pour rendre cdiscount - Mar 30 2022

web cdiscount librairie découvrez notre offre osez les secrets d une experte du sexe pour rendre livraison gratuite à partir de 25 paiement sécurisé 4x possible retour simple et rapide vous êtes un particulier aller sur cdiscount com

osez les secrets d une experte du sexe pour rendre un homme fou de - Apr 30 2022

web dec 19 2005 découvrez tout les secrets pour tous les faire craquer voici un petit manuel qui vous aidera mesdemoiselles à accéder plus sûrement au plaisir partagé les hommes ces êtres étranges ont des caractéristiques physiques et psychologiques qu il vaut mieux connaître si on a l intention

osez les secrets d une experte du sexe pour rendre un homme fou de - Jan 28 2022

web jun 12 2023 téléchargement gratuit de livres osez les secrets d une experte du sexe pour rendre un homme fou de plaisir servane vergy 2008 disponible en pdf epub et kindle lisez écrivez des critiques et bien plus encore

osez les secrets d une experte du sexe pour rendre un homme fou de - Mar 10 2023

web osez les secrets d une experte du sexe pour rendre un homme fou de plaisir nouvelle édition vergy servane amazon se böcker

noa l enchanta c volume 1 cyberlab sutd edu sg - Mar 30 2022

web 1 noa l enchanta c volume 1 mapa de suelos de colombia mar 09 2023 le livre de mon ami may 07 2020 dictionnaire universel historique critique et bibliographique jan 15 2021 encyclopédie du dix neuvième siècle répertoire universel des sciences des lettres et des arts avec la biographie de tous les hommes célèbres aug 02 2022

noa l enchanta c volume 1 pdf pdf bukuclone ortax - Apr 11 2023

web noa l enchanta c volume 1 pdf introduction noa l enchanta c volume 1 pdf pdf title noa l enchanta c volume 1 pdf pdf bukuclone ortax org created date 9 7 2023 12 58 37 pm

noa l enchanta c volume 1 pdf uniport edu - Dec 07 2022

web apr 11 2023 noa l enchanta c volume 1 1 7 downloaded from uniport edu ng on april 11 2023 by guest noa l enchanta c volume 1 getting the books noa l enchanta c volume 1 now is not type of challenging means you could not single handedly going gone book collection or library or borrowing from your friends to admission them this is an no

noa l enchanta c volume 1 copy registempdevupload supersalon - Jan 08 2023

web noa l enchanta c volume 1 3 3 paul signac marked the beginning of this exuberant outburst of colour works by henri matisse pablo picasso carlo carrá karl schmidt rottluff piet mondrian and paul klee demonstrate how artists made a study of pointillism during the 20th century vincent van gogh contributed to the way that modernist

noël enchanté volume 1 by sonya veczan jetpack theaoi - Feb 09 2023

web attentent avec une curiosité l absence totale de violence finira de convaincre les parents bob le bricoleur volume 1 sardine sur une branche episodes sardine sur une branche peur bleue dans le noir sauvons les hérissons zoé assure la relève sardine a disparu bob le bricoleur vol 1 sardine sur une branche avi 687 39 mb

noa l enchanta c volume 1 uniport edu - Apr 30 2022

web noa l enchanta c volume 1 is available in our book collection an online access to it is set as public so you can download it instantly our books collection saves in multiple countries allowing you to get the most less latency

nae leonard cântec de nuntă orchestra mugurel youtube - Feb 26 2022

web about press copyright contact us creators advertise developers terms privacy press copyright contact us creators advertise developers terms privacy

noël enchanté volume 1 by sonya veczan dev eequ org - Oct 05 2022

web Noël enchanté volume 1 by sonya veczan magazine infopera by magazine infopera issuu april 4th 2020 4 avril 1924 na i ssa nce toronto du c hef d'Or c h e s t r e vic tor fe ldbr i l l d i r e c t e u r de l Ōo r c h e s t r e symphonique de winnipeg de 1958 1968 puis de l'Orchestre romans nouvelles rcits bibliotheque sonore d evreux

noã â l enchantã â volume 1 by sonya veczan - Aug 03 2022

web noã â l enchantã â volume 1 by sonya veczan noã â l enchantã â volume 1 by sonya veczan ebooks bnr calamo rue pasteur cinmathque suisse no 301 mars avril 2019 by couperin full text of la vie en rose internet archive les mystres d eleusis 1 pdf isis gypte antique niaproun net groupes premier degre 36 tice ac orleans tours fr w

noa l enchanta c volume 1 copy uniport edu - Sep 04 2022

web noa l enchanta c volume 1 1 7 downloaded from uniport edu ng on april 19 2023 by guest noa l enchanta c volume 1 as recognized adventure as without difficulty as experience approximately lesson amusement as with ease as treaty can be gotten by just checking out a books noa l enchanta c volume 1 as a consequence it is not directly done you

ebook noa l enchanta c volume 1 - Jun 01 2022

web 1 noa l enchanta c volume 1 revue des deux mondes jan 22 2022 class book of french literature feb 03 2023 aventures de télémaque suivies du recueil des fables composées pour l éducation de monseigneur le duc de bourgogne with a portrait apr 05 2023 biographie universelle ancienne et moderne mar 24 2022

noël enchanté volume 1 by sonya veczan secure4 khronos - Jun 13 2023

web jun 10 2023 this Noël enchanté volume 1 by sonya veczan as one of the most operational sellers here will thoroughly be accompanied by the best choices to review its for that cause absolutely simple and as a outcome data isnt it

noa l enchanta c volume 1 pdf gccca - Aug 15 2023

web mar 29 2023 noa l enchanta c volume 1 pdf is available in our book collection an online access to it is set as public so you can download it instantly our digital library spans in multiple countries allowing you to get the most less latency time to download any of our books like this one kindly say the noa l enchanta c volume 1 pdf is universally

ena noël wikipedia - Jan 28 2022

web ena noël phillipena noël oam 30 july 1910 to 7 december 2003 best known by the name ena noël was an inspirational school teacher and advocate for children s literature and library services to children and young adults ena noël s name is synonymous in australia with children s literature and with ibby the international board on books for

noa l enchanta c volume 1 help environment harvard edu - May 12 2023

web 1 noa l enchanta c volume 1 thank you totally much for downloading noa l enchanta c volume 1 maybe you have knowledge that people have look numerous period for their favorite books subsequently this noa l enchanta c volume 1 but end in the works in harmful downloads rather than enjoying a good ebook as soon as a mug of coffee in

the enchanter wikipedia - Dec 27 2021

web the enchanter is a novella written by vladimir nabokov in paris in 1939 as Волшебник volshebnik it was his last work of fiction written in russian nabokov never published it during his lifetime after his death his son dmitri translated the novella into english in 1986 and it was published the following year its original russian version became available in

noa l enchanta c volume 1 bexpert udh - Mar 10 2023

web in some cases you likewise accomplish not discover the broadcast noa l enchanta c volume 1 that you are looking for it will enormously squander the time however below with you visit this web page it will be suitably no question simple to acquire as capably as download guide noa l enchanta c volume 1

noa l enchanta c volume 1 pdf uniport edu - Nov 06 2022

web mar 1 2023 noa l enchanta c volume 1 is available in our book collection an online access to it is set as public so you can get it instantly our book servers spans in multiple countries allowing you to get the most less latency time to download *noa l enchanta c volume 1 pdf full pdf nobledistractions com* - Jul 14 2023

web apr 15 2023 1 noa l enchanta c volume 1 pdf this is likewise one of the factors by obtaining the soft documents of this noa l enchanta c volume 1 pdf by online you might not require more times to spend to go to the books start as skillfully as search for them in some cases you likewise do not discover the statement noa l enchanta c volume 1

[noa l enchanta c volume 1 pdf uniport edu](#) - Jul 02 2022

web mar 31 2023 noa l enchanta c volume 1 2 6 downloaded from uniport edu ng on march 31 2023 by guest became the president of south africa and a nobel peace prize winner and realise that they can continue his legacy in the world today seen through a child s perspective and authored jointly by nelson

a basic guide to wrestling an official u s olympic committee - May 04 2022

web jan 1 2001 a basic guide to wrestling offers a clear concise introduction to wrestling styles classes of competition and the benefits of wrestling it also includes profiles of the 2000 u s olympic wrestling team

wrestling basics a guide for beginners whatishowtodo com - Apr 03 2022

web welcome to our blog post on the art of wrestling whether you re a newcomer to the sport or a seasoned grappler this comprehensive guide will provide you with valuable insights into the world of wrestling from understanding the wrestling ring and the importance of proper footwork to mastering fundamental techniques and building strength and

the beginner s guide to wrestling coachup nation - Apr 15 2023

web aug 1 2016 wrestling wrestling is an intense sport that requires physical strength endurance and a strong sense of willpower practicing wrestling from a young age can teach aggressiveness as well as improve strength and endurance

although wrestling isn t exactly a team sport in the more traditional sense like baseball and soccer the individual

a beginner s guide to pro wrestling from suplexes to t shirt - Feb 01 2022

web feb 20 2020 a beginner s guide to pro wrestling from suplexes to t shirt sales the manual home culture a beginner s guide to pro wrestling from suplexes to t shirt sales by eric shorey february 20

a basic guide to wrestling google books - Sep 08 2022

web discusses wrestling styles classes of competition and the benefits of wrestling and includes photographs of 1996 olympic champions this book seeks to provide you with all you need to know to get started and enjoy the sport of wrestling

wrestling a guide for beginners wrestling online com - Nov 10 2022

web jul 21 2020 wrestling is a sport that pertains primarily to combat this involves various types of grappling techniques including pins joint locks takedowns throws and clinch fighting other variants like sombo judo greco roman freestyles and folkstyle are considered theatrical and are purely for entertainment

3 wrestling concepts all beginners should know evolve daily - Jun 05 2022

web aug 19 2020 the basic moves in wrestling include penetration step this is the first movement you make as you look to score on your opponent stance your stance is the posture you take on the mat the common stances used in wrestling are staggered and parallel level change this refers to lowering or raising your hips as you attempt a

a basic guide to wrestling book 1998 worldcat org - Dec 11 2022

web get this from a library a basic guide to wrestling suzanne ledeboer traces the history of wrestling and looks at its inclusion in the olympics examines the seven basic skills of the sport provides an overview of a wrestling

a basic guide to wrestling united states olympic committee - Jan 12 2023

web complete with up to date results from the 2000 olympic games in sydney australia these official u s olympic committee

publications take a fascinating look at how to play sports the history of sports and everything in between a basic guide to wrestling offers a clear concise introduction to wrestling styles classes of competition and the

wrestling for dummies cheat sheet - Mar 14 2023

web jan 19 2022 the fundamentals of wrestling your success in wrestling is a direct result of your expertise in the fundamentals after you master the following basic aspects of the sport you can build on them to expand your wrestling repertoire stance your body position and posture on the mat can be parallel or staggered

the ultimate wrestling beginner guide youtube - May 16 2023

web the is the ultimate beginner wrestling guide i go over everything you need to know when joining the sport of wrestling being a wrestling beginner can be tough as it is so that s why i

a basic guide to wrestling united states olympic committee - Jul 18 2023

web discusses the olympic sport of wrestling including required skills what takes place during the match itself differences in scholastic and collegiate wrestling and tips on safety and first aid results of the 2000 olympic games in sydney australia profiles of u s wrestling team members freestyle and greco roman wrestling women s

a guide to wrestling for beginners sportzbits - Feb 13 2023

web apr 10 2020 a guide to wrestling for beginners by james cooper april 10 2020 combat sports if you re considering getting into wrestling then this sport may seem very intimidating to you it does require a lot of physical strength endurance and willpower

how to wrestle 12 steps with pictures wikihow - Aug 19 2023

web sep 21 2023 wrestling is a popular physical sport which you can compete in at the high school college amateur or professional level if you re interested in picking up a few wrestling basics joining a local wrestling league or your high school wrestling team is

a basic guide to wrestling olympic guides goodreads - Jul 06 2022

web briefly traces the history of wrestling in olympic competition explains the seven basic wrestling skills and offers advice on participating in the sport 152 pages library binding first published january 1 2001

beginners guide to wrestling sportsengine - Oct 09 2022

web the wrestler chooses to start on the bottom he is in a defensive position and has to work to get to a neutral position or get to a position where he is in control during the match a wrestler can score points from any position in many different ways takedown 2 points when the wrestlers are in neutral position one of the wrestlers will

wrestling basics guide for beginners kids tfg - Sep 20 2023

web mar 7 2023 whether you re an experienced wrestler looking to brush up on your skills or a complete beginner this

guide will provide you with all the information you need to get started we ll cover everything from basic positions and holds to

[a basic guide to wrestling official u s olympic committee](#) - Mar 02 2022

web may 22 1998 buy a basic guide to wrestling official u s olympic committee sports s 2 by united states olympic committee isbn 9781882180776 from amazon s book store everyday low prices and free delivery on eligible orders a basic guide to wrestling official u s olympic committee sports s amazon co uk united states olympic

what are the 7 basic skills of wrestling a guide wrestle love - Aug 07 2022

web this article will walk you through the basic skills you should know before venturing into wrestling wrestling allows you to face competitive sports while giving you values like hard work perseverance and discipline

a basic guide to wrestling by usa olimpic academia edu - Jun 17 2023

web the united states f10 a basic guide to wrestling dominated in freestyle wrestling competitions at the beginning of the century and has won the most medals of any nation in this style during the last 100 years at the london games 1948 27 nations with a total of 266 athletes competed