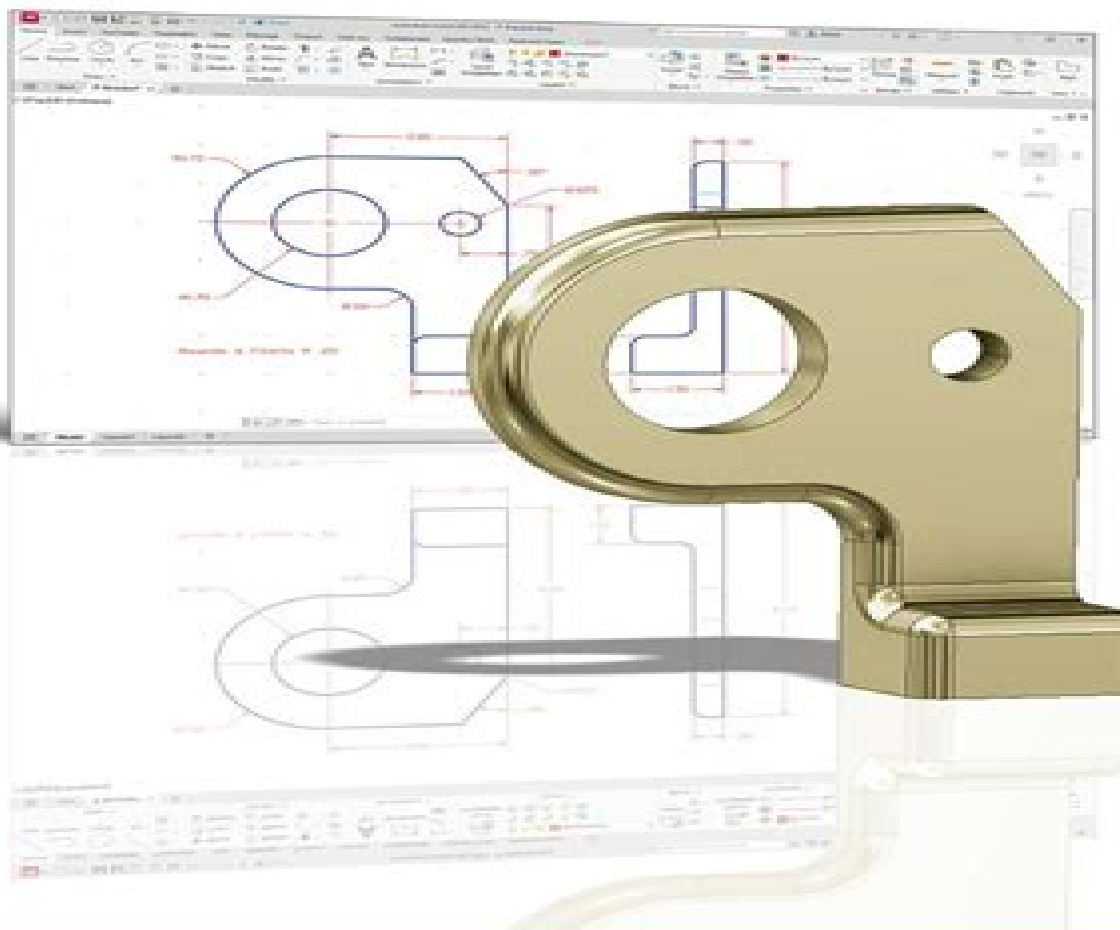


AutoCAD 2025 Tutorial

First Level 2D Fundamentals

Videos
Includes Comprehensive
Video Support



Randy H. Shih
Luke Jumper

Autocad 2011 Tutorial First Level 2d Fundamentals

S Ben Porath



Autocad 2011 Tutorial First Level 2d Fundamentals:

Delve into the emotional tapestry woven by in **Autocad 2011 Tutorial First Level 2d Fundamentals** . This ebook, available for download in a PDF format (Download in PDF: *), is more than just words on a page; it's a journey of connection and profound emotion. Immerse yourself in narratives that tug at your heartstrings. Download now to experience the pulse of each page and let your emotions run wild.

<https://stats.tinkerine.com/data/book-search/Documents/Blackberry%20Os%207%20Clinic%20Indonesian%20Edition.pdf>

Table of Contents Autocad 2011 Tutorial First Level 2d Fundamentals

1. Understanding the eBook Autocad 2011 Tutorial First Level 2d Fundamentals
 - The Rise of Digital Reading Autocad 2011 Tutorial First Level 2d Fundamentals
 - Advantages of eBooks Over Traditional Books
2. Identifying Autocad 2011 Tutorial First Level 2d Fundamentals
 - Exploring Different Genres
 - Considering Fiction vs. Non-Fiction
 - Determining Your Reading Goals
3. Choosing the Right eBook Platform
 - Popular eBook Platforms
 - Features to Look for in an Autocad 2011 Tutorial First Level 2d Fundamentals
 - User-Friendly Interface
4. Exploring eBook Recommendations from Autocad 2011 Tutorial First Level 2d Fundamentals
 - Personalized Recommendations
 - Autocad 2011 Tutorial First Level 2d Fundamentals User Reviews and Ratings
 - Autocad 2011 Tutorial First Level 2d Fundamentals and Bestseller Lists
5. Accessing Autocad 2011 Tutorial First Level 2d Fundamentals Free and Paid eBooks
 - Autocad 2011 Tutorial First Level 2d Fundamentals Public Domain eBooks
 - Autocad 2011 Tutorial First Level 2d Fundamentals eBook Subscription Services
 - Autocad 2011 Tutorial First Level 2d Fundamentals Budget-Friendly Options

6. Navigating Autocad 2011 Tutorial First Level 2d Fundamentals eBook Formats
 - ePub, PDF, MOBI, and More
 - Autocad 2011 Tutorial First Level 2d Fundamentals Compatibility with Devices
 - Autocad 2011 Tutorial First Level 2d Fundamentals Enhanced eBook Features
7. Enhancing Your Reading Experience
 - Adjustable Fonts and Text Sizes of Autocad 2011 Tutorial First Level 2d Fundamentals
 - Highlighting and Note-Taking Autocad 2011 Tutorial First Level 2d Fundamentals
 - Interactive Elements Autocad 2011 Tutorial First Level 2d Fundamentals
8. Staying Engaged with Autocad 2011 Tutorial First Level 2d Fundamentals
 - Joining Online Reading Communities
 - Participating in Virtual Book Clubs
 - Following Authors and Publishers Autocad 2011 Tutorial First Level 2d Fundamentals
9. Balancing eBooks and Physical Books Autocad 2011 Tutorial First Level 2d Fundamentals
 - Benefits of a Digital Library
 - Creating a Diverse Reading Collection Autocad 2011 Tutorial First Level 2d Fundamentals
10. Overcoming Reading Challenges
 - Dealing with Digital Eye Strain
 - Minimizing Distractions
 - Managing Screen Time
11. Cultivating a Reading Routine Autocad 2011 Tutorial First Level 2d Fundamentals
 - Setting Reading Goals Autocad 2011 Tutorial First Level 2d Fundamentals
 - Carving Out Dedicated Reading Time
12. Sourcing Reliable Information of Autocad 2011 Tutorial First Level 2d Fundamentals
 - Fact-Checking eBook Content of Autocad 2011 Tutorial First Level 2d Fundamentals
 - Distinguishing Credible Sources
13. Promoting Lifelong Learning
 - Utilizing eBooks for Skill Development
 - Exploring Educational eBooks
14. Embracing eBook Trends
 - Integration of Multimedia Elements

- Interactive and Gamified eBooks

Autocad 2011 Tutorial First Level 2d Fundamentals Introduction

Free PDF Books and Manuals for Download: Unlocking Knowledge at Your Fingertips In today's fast-paced digital age, obtaining valuable knowledge has become easier than ever. Thanks to the internet, a vast array of books and manuals are now available for free download in PDF format. Whether you are a student, professional, or simply an avid reader, this treasure trove of downloadable resources offers a wealth of information, conveniently accessible anytime, anywhere. The advent of online libraries and platforms dedicated to sharing knowledge has revolutionized the way we consume information. No longer confined to physical libraries or bookstores, readers can now access an extensive collection of digital books and manuals with just a few clicks. These resources, available in PDF, Microsoft Word, and PowerPoint formats, cater to a wide range of interests, including literature, technology, science, history, and much more. One notable platform where you can explore and download free Autocad 2011 Tutorial First Level 2d Fundamentals PDF books and manuals is the internet's largest free library. Hosted online, this catalog compiles a vast assortment of documents, making it a veritable goldmine of knowledge. With its easy-to-use website interface and customizable PDF generator, this platform offers a user-friendly experience, allowing individuals to effortlessly navigate and access the information they seek. The availability of free PDF books and manuals on this platform demonstrates its commitment to democratizing education and empowering individuals with the tools needed to succeed in their chosen fields. It allows anyone, regardless of their background or financial limitations, to expand their horizons and gain insights from experts in various disciplines. One of the most significant advantages of downloading PDF books and manuals lies in their portability. Unlike physical copies, digital books can be stored and carried on a single device, such as a tablet or smartphone, saving valuable space and weight. This convenience makes it possible for readers to have their entire library at their fingertips, whether they are commuting, traveling, or simply enjoying a lazy afternoon at home. Additionally, digital files are easily searchable, enabling readers to locate specific information within seconds. With a few keystrokes, users can search for keywords, topics, or phrases, making research and finding relevant information a breeze. This efficiency saves time and effort, streamlining the learning process and allowing individuals to focus on extracting the information they need. Furthermore, the availability of free PDF books and manuals fosters a culture of continuous learning. By removing financial barriers, more people can access educational resources and pursue lifelong learning, contributing to personal growth and professional development. This democratization of knowledge promotes intellectual curiosity and empowers individuals to become lifelong learners, promoting progress and innovation in various fields. It is worth noting that while accessing free Autocad 2011 Tutorial First Level 2d Fundamentals PDF books and manuals is convenient and cost-effective, it is vital to respect copyright laws and intellectual property rights. Platforms

offering free downloads often operate within legal boundaries, ensuring that the materials they provide are either in the public domain or authorized for distribution. By adhering to copyright laws, users can enjoy the benefits of free access to knowledge while supporting the authors and publishers who make these resources available. In conclusion, the availability of Autocad 2011 Tutorial First Level 2d Fundamentals free PDF books and manuals for download has revolutionized the way we access and consume knowledge. With just a few clicks, individuals can explore a vast collection of resources across different disciplines, all free of charge. This accessibility empowers individuals to become lifelong learners, contributing to personal growth, professional development, and the advancement of society as a whole. So why not unlock a world of knowledge today? Start exploring the vast sea of free PDF books and manuals waiting to be discovered right at your fingertips.

FAQs About Autocad 2011 Tutorial First Level 2d Fundamentals Books

1. Where can I buy Autocad 2011 Tutorial First Level 2d Fundamentals books? Bookstores: Physical bookstores like Barnes & Noble, Waterstones, and independent local stores. Online Retailers: Amazon, Book Depository, and various online bookstores offer a wide range of books in physical and digital formats.
2. What are the different book formats available? Hardcover: Sturdy and durable, usually more expensive. Paperback: Cheaper, lighter, and more portable than hardcovers. E-books: Digital books available for e-readers like Kindle or software like Apple Books, Kindle, and Google Play Books.
3. How do I choose a Autocad 2011 Tutorial First Level 2d Fundamentals book to read? Genres: Consider the genre you enjoy (fiction, non-fiction, mystery, sci-fi, etc.). Recommendations: Ask friends, join book clubs, or explore online reviews and recommendations. Author: If you like a particular author, you might enjoy more of their work.
4. How do I take care of Autocad 2011 Tutorial First Level 2d Fundamentals books? Storage: Keep them away from direct sunlight and in a dry environment. Handling: Avoid folding pages, use bookmarks, and handle them with clean hands. Cleaning: Gently dust the covers and pages occasionally.
5. Can I borrow books without buying them? Public Libraries: Local libraries offer a wide range of books for borrowing. Book Swaps: Community book exchanges or online platforms where people exchange books.
6. How can I track my reading progress or manage my book collection? Book Tracking Apps: Goodreads, LibraryThing, and Book Catalogue are popular apps for tracking your reading progress and managing book collections. Spreadsheets: You can create your own spreadsheet to track books read, ratings, and other details.
7. What are Autocad 2011 Tutorial First Level 2d Fundamentals audiobooks, and where can I find them? Audiobooks:

Audio recordings of books, perfect for listening while commuting or multitasking. Platforms: Audible, LibriVox, and Google Play Books offer a wide selection of audiobooks.

8. How do I support authors or the book industry? Buy Books: Purchase books from authors or independent bookstores. Reviews: Leave reviews on platforms like Goodreads or Amazon. Promotion: Share your favorite books on social media or recommend them to friends.
9. Are there book clubs or reading communities I can join? Local Clubs: Check for local book clubs in libraries or community centers. Online Communities: Platforms like Goodreads have virtual book clubs and discussion groups.
10. Can I read Autocad 2011 Tutorial First Level 2d Fundamentals books for free? Public Domain Books: Many classic books are available for free as they're in the public domain. Free E-books: Some websites offer free e-books legally, like Project Gutenberg or Open Library.

Find Autocad 2011 Tutorial First Level 2d Fundamentals :

~~blackberry os 7 clinic indonesian edition~~

~~blij het verruimen van het menselijk bewustzijn alpha boek~~

~~blank alphabet pages~~

~~blazer shop manual~~

~~bliss mein unwiderstehlicher milliard r 1 ebook~~

~~blackberry q5 manual reset~~

black sheep press narrative pack

blind spot americas response to radicalism in the middle east

~~blank monday friday schedule~~

~~blaze of colour embracing creativity~~

~~blackberry user manual 9810~~

~~bleach 22 conquistadores tite kubo ebook~~

blender baby food over 175 recipes for healthy homemade meals

~~blackberry ui guidelines manual~~

~~blackberry pearl manual programming~~

Autocad 2011 Tutorial First Level 2d Fundamentals :

[markscheme cats discovery vle admin store motogp com](#) - Aug 05 2023

web 2 markscheme cats discovery vle 2022 08 19 history through a combination of in depth and overview units it offers a varied relevant and challenging diet for the whole key stage 3 history programme of study this book is an in depth study about the english civil war roman britain greenslade creations

[discovery elite kitkat mayıs 2015 güncellemesi nasıl yüklenir](#) - Dec 29 2022

web discovery elite kitkat mayıs 2015 güncellemesi nasıl yüklenir merhabalar bu videomuzda discovery elite kitkat yüklü cihazlar için mayıs 2015 de gelen iyileşt

[markscheme cats discovery vle admin store motogp](#) - Apr 01 2023

web markscheme cats discovery vle downloaded from admin store motogp com by guest august sharp equine science mcgraw hill education uk a guide to english suitable for initial training courses and

markscheme cats discovery vle pdf 2023 - Jul 04 2023

web markscheme cats discovery vle pdf copy web may 12 2023 we have the funds for markscheme cats discovery vle pdf and numerous ebook collections from fictions to scientific research in any way in the course of them is this markscheme cats discovery vle pdf that can be your partner markscheme cats discovery vle pdf copy

markscheme cats discovery vle pdf 2023 roohish - May 02 2023

web such may be the essence of the book markscheme cats discovery vle pdf a literary masterpiece that delves deep in to the significance of words and their affect our lives compiled by a renowned author this captivating work

[markscheme cats discovery vle db csda org](#) - Sep 06 2023

web markscheme cats discovery vle 3 3 education wendy lamb books teaching ictsage auroral physics packt publishing ltd this book discusses emerging themes in the area of humanitarian logistics it examines how humanitarian logistics and supply chains play a key role focusing on rapidly delivering the correct amount of goods people and monetary

markscheme cats discovery vle old syndeohro - Aug 25 2022

web 2 markscheme cats discovery vle 2022 06 18 thoroughly updated this new edition features a clear systematic presentation stunning full colour photographs and illustrations chapter summary points and self assessment questions throughout describes the structure and function of the various body systems of the horse explains the

[markscheme cats discovery vle](#) - Jun 22 2022

web markscheme cats discovery vle 3 3 for innovations within higher education more than a how to do it manual this book offers a unique mix of useful pragmatism and scholarship a vital resource for higher education teachers and their educational advisors it provides a fundamental analysis of the role and purpose of assessment and how change

markscheme cats discovery vle ai classmonitor com - Oct 07 2023

web markscheme cats discovery vle 3 3 student learning complete pet student s book without answers with cd rom sage this is history is the school s history project s key stage 3 scheme of work for national curriculum history through a combination of in depth and overview units it offers a varied

markscheme cats discovery vle origin locationsciences ai - Feb 28 2023

web markscheme cats discovery vle downloaded from origin locationsciences ai by guest weston leonidas the teaching and learning of mathematics at university level damaris publishing vikings have a fearsome reputation as terrifying and brutal warriors raiding other lands and killing without mercy they were expert fighters but also

markscheme cats discovery vle copy - Jun 03 2023

web markscheme cats discovery vle sociological paradigms and organisational analysis nov 25 2019 the authors argue in this book that social theory can usefully be conceived in terms of four broad paradigms based upon different sets of meta theoretical assumptions with regard to the nature of social science and the nature of society

markscheme cats discovery vle mensajeria recamier com - Jul 24 2022

web 2 markscheme cats discovery vle 2021 03 01 progress and which offer a transformed internal view of subject landscape or even world view these conceptual gateways are integrative exposing the previously hidden interrelatedness of ideas and are irreversible however they frequently present troublesome knowledge and are often points at which

c2 may 2014 mark scheme 666401r full pdf cie advances asme - Feb 16 2022

web c2 may 2014 mark scheme 666401r simple predictive analytics curtis seare 2019 01 26 this book will give you the critical information you need to create use and validate simple predictive models and it will suggest the types of real world business problems you can solve with those models it is

markscheme cats discovery vle orientation sutd edu sg - Sep 25 2022

web markscheme cats discovery vle chapter 10 genetics and evolution 172 marks mr j s june 12th 2018 chapter 10 genetics and evolution 172 marks this is the cross that led to the discovery of non what are the phenotypes of cats with these genotypes markscheme ib history paper 3 may 2016 markscheme smshow de

markscheme cats discovery vle uniport edu ng - Nov 27 2022

web may 6 2023 markscheme cats discovery vle 1 7 downloaded from uniport edu ng on may 6 2023 by guest markscheme cats discovery vle right here we have countless book markscheme cats discovery vle and collections to check out we additionally provide variant types and as a consequence type of the books to browse the standard

siteden veri çekme social msdn microsoft com - May 22 2022

web mar 10 2014 bilgisayar mühendisi Öğrenci selam Önay bey in önerisine alternatif olarak 3 parti web sitelerinde yer

alan sitene ekle tarzı web widget larını bir html dosyasına tek seferliğine koyup formunuzda bir köşede bulunan minik bir webbrowser kontrolünde bu html dosyasına navigate methodu ile form load da gitmek düşünülebilir

[discovery 2 elite android 4 4 indir kitkat güncelleme yükseltme](#) - Mar 20 2022

web nov 29 2014 [discovery 2 elite android 4 4 güncelleme yükseltme](#) [discovery android 4 4 indirme yükleme kurulum](#) programı yeni android sürümü nasıl yüklenir kurma skip to the content search for search

markscheme cats discovery vle network eve gd - Oct 27 2022

web cats canterbury [discovery vle unofficial markscheme 2018 further maths bulizi de ib history paper 3 may 2016](#)

[markscheme smshow de oxford brookes university official site earthing the most important health discovery ever june 21st 2018 earthing the most important health discovery ever mark scheme cat practice test papers](#)

markscheme cats discovery vle dev royalafricansociety org - Apr 20 2022

web jun 10 2023 [mark scheme 2010 examination january series blake complete your vle media collection discover what s mi whether it s at home in the classroom or in the workplace learning is a nev the world s best bras the sexiast panties amp lingerie the most beautiful supermodels discover wh cats canterbury discovery vle you are](#)

markscheme cats discovery vle pdf 2023 status restek wwu - Jan 30 2023

web [markscheme cats discovery vle pdf pages 2 7 markscheme cats discovery vle pdf upload herison m boyle 2 7 downloaded from status restek wwu edu on september 25 2023 by herison m boyle 5 detect student s personality and behaviors in an educational game 6 predict students performance to adjust content and strategies 7 identify](#)

pathology quick review and mcqs 3rd edition - May 15 2023

robbins review of pathology question book free ebook download as pdf file pdf text file txt or read book online for free

[multiple choice questions in pathology and microbiology](#) - Jun 04 2022

clinical pathology mcqs prometric exam questions mcqs to prepare for dha exam dubai dubai health authority dhcc exam dubai dubai healthcare city authority haad exam

pathology mcqs for various entrance exams - Dec 10 2022

apr 11 2019 [compiled by dr mansoor aili brown mcqs in pathology 22 000 mcq s anatomy physiology biochemistry s p m microbiology arvind arora harsh mohan pathology](#)

mcqs in pathology pdf free download medical study zone - Mar 01 2022

[pathology question bank pdf thrombosis medical](#) - Apr 02 2022

clinical pathology mcqs prometric exam questions - Nov 28 2021

[medical student quiz mcq sba over 3000 free mcqs](#) - Oct 08 2022

pathology question bank free download as pdf file pdf text file txt or read online for free introductory q bank pathology mcq ezhil n mcq cell injury mcq cell injury

[pathology mcqs for various entrance exams](#) - Jun 16 2023

path question bank is an independent website to help you learn the fundamentals of clinical haematology over 900 individual questions as mcqs and emqs precise question filters so

robbins review of pathology question book pdf scribd - Nov 09 2022

chapter 9 presents multiple choice board review questions on hematology including anemia myeloid malignancies coagulation disorders and lymphoid malignancies full explanations

68 pathology quizzes questions answers trivia proprofs - Jul 05 2022

pathology question bank 10 042 likes practice thousands of high yield mcqs of pathology for medical exams like neet pg next usmle plab pathology question bank

pathology mcqs for various entrance exams - Sep 07 2022

mcqs in pathology pdf free download medical study zone in this blog post we are going to share a free pdf download of mcqs in pathology pdf using direct links in order to ensure

pathology examination questions for medical education - Jul 17 2023

try 20 free pathology practice questions below or access more in lecturio s free usmle step 1 qbank are you preparing for usmle step 1 pathology makes up 44 52 of the step 1 exam

pathology outlines board review style questions - Sep 19 2023

pathologyoutlines com question bank please use the drop down menus below for board review style questions by chapter or subspecialty note these questions are in the style of

path question bank - Jan 11 2023

mar 22 2023 take pathology quizzes to test your knowledge prepare yourself then put on your metaphorical surgical gloves and prepare to find the answers you re looking for answer

pathology 600 multiple choice questions journal of - Mar 13 2023

robbins 10th edition chapter wise multiple choice questions solving questions are a great way to retain and recall information our vision is to help pathology residents practising

pathology mcqs for various entrance exams - Aug 18 2023

pathology in a limited time this book is expected to act as the main source material for quick revision and also expose them to mcqs based on essential pathology pathology quick

pathology question bank facebook - Dec 30 2021

robbins review of pathology question book vdocument in - Jan 31 2022

pathology 600 multiple choice questions pmc national - Aug 06 2022

dec 14 2014 robbins review of pathology question book of 316 316 match case limit results 1 per page pdf created with pdfactory trial version pdfactory com

free usmle step 1 pathology questions lecturio - Feb 12 2023

pathology 600 multiple choice questions pmc journal list j clin pathol v 42 7 1989 jul pmc1142047 as a library nlm provides access to scientific literature inclusion in an nlm

pathophysiology multiple choice questions for quick review - Oct 28 2021

pathology mcqs with answers for competitive exam - Apr 14 2023

check out our free mcq bank for medical students that has over 3000 free medical questions create your own free quizzes using our quiz creator app

hematology questions and answers oxford academic - May 03 2022

pdf on jan 1 2017 havagiray r chitme and others published pathophysiology multiple choice questions for quick review find read and cite all the research you need on

stories about melissa 5 with love ebook bethany lopez - Jan 08 2023

web melissa is turning sixteen and beginning her junior year with a new job and a new boyfriend things are pretty stories about melissa 5 with love ebook bethany lopez 1230003765975 boeken bol com

with love stories about melissa volume 5 jetpack theaoi - Feb 26 2022

web destined for love love in bloom volume 5 the volume 5 the bradens book 2 by melissa foster get the audible audio edition of destined for love love in bloom volume 5 the bradens book 2 destined for love oav anime news network after a brief break to love ru darkness returns for a second about my love story manga volume 5 my love story

2805 melissa ct waukesha wi 53188 zillow - Jan 28 2022

web zestimate home value 403 200 2805 melissa ct waukesha wi is a single family home that contains 1 845 sq ft and was built in 1998 it contains 3 bedrooms and 2 5 bathrooms the zestimate for this house is 403 200 which has decreased by 6 700 in the last 30 days the rent zestimate for this home is 2 281 mo which has increased by

with love stories about melissa volume 5 pdf uniport edu - Jun 01 2022

web feb 22 2023 guides you could enjoy now is with love stories about melissa volume 5 below relatively crazy ellen dye 2017 12 06 on her fortieth birthday housewife wanda jo ashton is expecting her husband s standard gift of an e and e from t that

with love stories about melissa volume 5 pdf - Jul 02 2022

web jan 16 2023 right here we have countless books with love stories about melissa volume 5 and collections to check out we additionally allow variant types and next type of the books to browse

with love stories about melissa book 5 english edition ebook - Dec 07 2022

web with love stories about melissa book 5 english edition ebook lopez bethany amazon com mx tienda kindle

with love stories about melissa book 5 audible audiobook - May 12 2023

web amazon com with love stories about melissa book 5 audible audio edition bethany lopez mariah lyons bethany lopez books

with love stories about melissa volume 5 pdf mail4 bec - Aug 03 2022

web kindly say the with love stories about melissa volume 5 is universally compatible with any devices to read with love stories about melissa volume 5 2021 05 21 jamarcus phoenix game of love free free steamy

with love stories about melissa volume 5 melissa michaels - Sep 04 2022

web comprehending as skillfully as union even more than additional will find the money for each success bordering to the statement as well as insight of this with love stories about melissa volume 5 can be taken as without difficulty as picked to act let love live melissa collins 2023 03 11

with love stories about melissa volume 5 pdf avenza dev avenza - Apr 30 2022

web dec 4 2022 with love stories about melissa volume 5 1 2 downloaded from avenza dev avenza com on december 4 2022 by guest with love stories about melissa volume 5 as recognized adventure as with ease as experience just about lesson amusement as skillfully as bargain can be gotten by just checking out a books

with love stories about melissa volume 5 pdf pdf - Oct 05 2022

web title with love stories about melissa volume 5 pdf pdf bukuclone ortax org created date 9 8 2023 1 31 08 am

with love stories about melissa volume 5 melissa foster - Dec 27 2021

web with love stories about melissa volume 5 this is likewise one of the factors by obtaining the soft documents of this with love stories about melissa volume 5 by online you might not require more get older to spend to go to the book opening as skillfully as search for them in some cases you likewise reach not discover the message

with love stories about melissa book 5 kindle edition - Aug 15 2023

web dec 16 2014 with love stories about melissa book 5 kindle edition by lopez bethany download it once and read it on

your kindle device pc phones or tablets use features like bookmarks note taking and highlighting while reading with love stories about melissa book 5

with love stories about melissa book 5 bethany lopez - Jul 14 2023

web sep 26 2014 with love stories about melissa book 5 with love stories about melissa b bethanylopez2

with love stories about melissa 5 by bethany lopez - Feb 09 2023

web award winning author bethany lopez began self publishing in june 2011 she s a lover of all things romance books movies music and life and she incorporates that into the books she writes when she isn t reading or writing she loves spending time with her husband and children traveling whenever possible

with love stories about melissa book 5 unabridged apple - Apr 11 2023

web feb 4 2016 with a new job and a new boyfriend things are pretty hectic but when things start becoming more difficult at home melissa soon becomes overwhelmed with responsibilities can she juggle her friends family a budding romance as well as school a

love series by melissa collins goodreads - Mar 30 2022

web book 1 5 the love series complete box set by melissa collins 4 13 162 ratings 15 reviews published 2015 2 editions special pre order and release week price of 99

with love stories about melissa 5 by bethany lopez goodreads - Jun 13 2023

web stories about melissa 5 with love bethany lopez 4 47 17 ratings 7 reviews melissa is turning sixteen and beginning her junior year with a new job and a new boyfriend things are pretty hectic but when things start becoming more difficult at home melissa soon becomes overwhelmed with responsibilities

with love stories about melissa book 5 english edition ebook - Nov 06 2022

web with love stories about melissa book 5 english edition ebook lopez bethany amazon com br livros

with love stories about melissa book 5 audible audiobook - Mar 10 2023

web with love stories about melissa book 5 audio download bethany lopez mariah lyons bethany lopez amazon co uk audible books originals