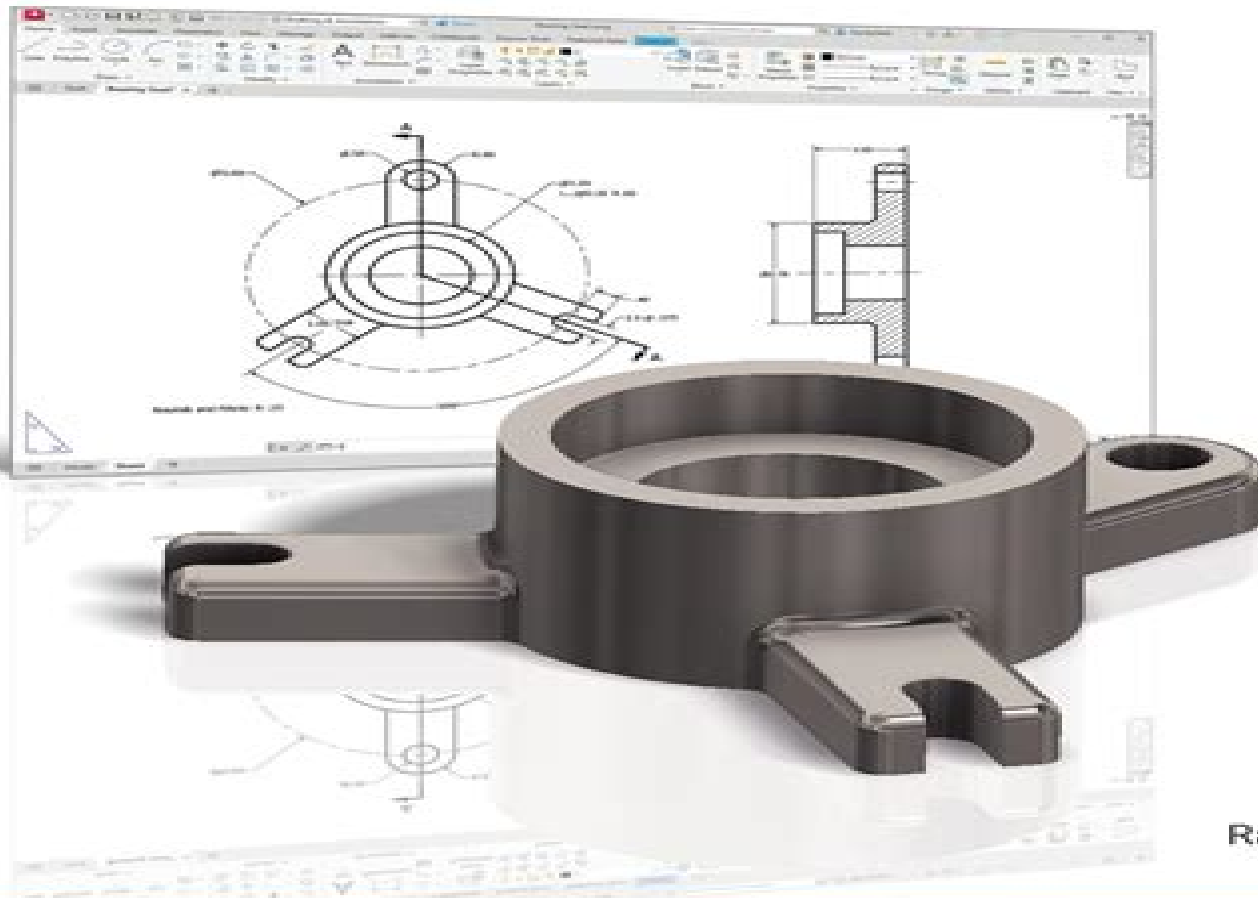


AutoCAD 2026

Tutorial Second Level

3D Modeling



Randy H. Shih

Autocad 2010 Tutorial Second Level 3d Modeling

Michael Seilmaier



Autocad 2010 Tutorial Second Level 3d Modeling:

AutoCAD 2010 Tutorial, Second Level Randy H. Shih,2009 The primary goal of AutoCAD 2010 Tutorial Second Level 3D Modeling is to introduce the aspects of computer based three dimensional modeling This text is intended to be used as a training guide for both students and professionals The chapters in this book cover AutoCAD 2010 and proceed in a pedagogical fashion to guide you from constructing 3D wire frame models 3D surface models and 3D solid models to making multiview drawings The text takes a hands on exercise intensive approach to all the important 3D modeling techniques and concepts This book contains a series of eleven tutorial style chapters designed to introduce CAD users to 3D modeling with AutoCAD 2010 Users upgrading from a previous release of the AutoCAD software will also find this text helpful The basic premise of this book is that the more 3D designs you create using AutoCAD 2010 the better you learn the software With this in mind each tutorial introduces a new set of commands and concepts building on previous chapters By going through this book readers will establish a good basis for exploring and growing in the exciting field of Computer Aided Engineering

AutoCAD 2018 Tutorial Second Level 3D Modeling Randy Shih,2017-09-07 The primary goal of AutoCAD 2018 Tutorial Second Level 3D Modeling is to introduce the aspects of computer based three dimensional modeling This text is intended to be used as a training guide for both students and professionals The chapters in this book cover AutoCAD 2018 and proceed in a pedagogical fashion to guide you from constructing 3D wire frame models 3D surface models and 3D solid models to making multiview drawings and rendering images The text takes a hands on exercise intensive approach to all the important 3D modeling techniques and concepts This book contains a series of twelve tutorial style chapters designed to introduce CAD users to 3D modeling with AutoCAD 2018 Users upgrading from a previous release of the AutoCAD software will also find this text helpful The basic premise of this book is that the more 3D designs you create using AutoCAD 2018 the better you learn the software With this in mind each tutorial introduces a new set of commands and concepts building on previous chapters By going through this book you will establish a good basis for exploring and growing in the exciting field of Computer Aided Engineering

AutoCAD 2016 Tutorial Second Level 3D Modeling Randy Shih,2015-06 The primary goal of AutoCAD 2016 Tutorial Second Level 3D Modeling is to introduce the aspects of computer based three dimensional modeling This text is intended to be used as a training guide for both students and professionals The chapters in this book cover AutoCAD 2016 and proceed in a pedagogical fashion to guide you from constructing 3D wire frame models 3D surface models and 3D solid models to making multiview drawings and rendering images The text takes a hands on exercise intensive approach to all the important 3D modeling techniques and concepts This book contains a series of twelve tutorial style chapters designed to introduce CAD users to 3D modeling with AutoCAD 2016 Users upgrading from a previous release of the AutoCAD software will also find this text helpful The basic premise of this book is that the more 3D designs you create using AutoCAD 2016 the better you learn the software With this in mind each tutorial introduces a new set of commands and

concepts building on previous chapters By going through this book readers will establish a good basis for exploring and growing in the exciting field of Computer Aided Engineering **AutoCAD 2012 Tutorial - Second Level: 3D Modeling** Randy Shih,2011-06-03 The primary goal of AutoCAD 2012 Tutorial Second Level 3D Modeling is to introduce the aspects of computer based three dimensional modeling This text is intended to be used as a training guide for both students and professionals The chapters in this book cover AutoCAD 2012 and proceed in a pedagogical fashion to guide you from constructing 3D wire frame models 3D surface models and 3D solid models to making multiview drawings and rendering images The text takes a hands on exercise intensive approach to all the important 3D modeling techniques and concepts This book contains a series of twelve tutorial style chapters designed to introduce CAD users to 3D modeling with AutoCAD 2012 Users upgrading from a previous release of the AutoCAD software will also find this text helpful The basic premise of this book is that the more 3D designs you create using AutoCAD 2012 the better you learn the software With this in mind each tutorial introduces a new set of commands and concepts building on previous chapters By going through this book readers will establish a good basis for exploring and growing in the exciting field of Computer Aided Engineering **AutoCAD 2017 Tutorial Second Level 3D Modeling** Randy Shih,2016-06 The primary goal of AutoCAD 2017 Tutorial Second Level 3D Modeling is to introduce the aspects of computer based three dimensional modeling This text is intended to be used as a training guide for both students and professionals The chapters in this book cover AutoCAD 2017 and proceed in a pedagogical fashion to guide you from constructing 3D wire frame models 3D surface models and 3D solid models to making multiview drawings and rendering images The text takes a hands on exercise intensive approach to all the important 3D modeling techniques and concepts This book contains a series of twelve tutorial style chapters designed to introduce CAD users to 3D modeling with AutoCAD 2017 Users upgrading from a previous release of the AutoCAD software will also find this text helpful The basic premise of this book is that the more 3D designs you create using AutoCAD 2017 the better you learn the software With this in mind each tutorial introduces a new set of commands and concepts building on previous chapters By going through this book readers will establish a good basis for exploring and growing in the exciting field of Computer Aided Engineering AutoCAD 2013 Tutorial - Second Level: 3D Modeling Randy H. Shih,2012 The primary goal of AutoCAD 2013 Tutorial Second Level 3D Modeling is to introduce the aspects of computer based three dimensional modeling This text is intended to be used as a training guide for both students and professionals The chapters in this book cover AutoCAD 2013 and proceed in a pedagogical fashion to guide you from constructing 3D wire frame models 3D surface models and 3D solid models to making multiview drawings and rendering images The text takes a hands on exercise intensive approach to all the important 3D modeling techniques and concepts This book contains a series of twelve tutorial style chapters designed to introduce CAD users to 3D modeling with AutoCAD 2013 Users upgrading from a previous release of the AutoCAD software will also find this text helpful The basic premise of this book is that the more 3D designs you create

using AutoCAD 2013 the better you learn the software With this in mind each tutorial introduces a new set of commands and concepts building on previous chapters By going through this book readers will establish a good basis for exploring and growing in the exciting field of Computer Aided Engineering

AutoCAD 2011 Tutorial Randy H. Shih,2010 This text covers AutoCAD 2011 and the chapters proceed in a pedagogical fashion to guide you from constructing 3D wireframe models 3D surface models and 3D solid models to making multiview drawings Preface *AutoCAD 2011 Tutorial - First Level: 2D Fundamentals* Randy Shih,2010 The primary goal of AutoCAD 2011 Tutorial First Level 2D Fundamentals is to introduce the aspects of Computer Aided Design and Drafting CADD This text is intended to be used as a training guide for students and professionals This text covers AutoCAD 2011 and the lessons proceed in a pedagogical fashion to guide you from constructing basic shapes to making multiview drawings The lessons are further reinforced by the video presentations found on the enclosed multimedia DVD This textbook contains a series of eleven tutorial style lessons designed to introduce beginning CAD users to AutoCAD 2011 It takes a hands on exercise intensive approach to all the important 2D CAD techniques and concepts This text is also helpful to AutoCAD users upgrading from a previous release of the software The new improvements and key enhancements of the software are incorporated into the lessons The 2D CAD techniques and concepts discussed in this text are also designed to serve as the foundation to the more advanced parametric feature based CAD packages such as Autodesk Inventor The basic premise of this book is that the more designs you create using AutoCAD 2011 the better you learn the software With this in mind each lesson introduces a new set of commands and concepts building on previous lessons This book is intended to help readers establish a good basis for exploring and growing in the exciting field of Computer Aided Engineering

Tutorial Guide to AutoCAD 2011 Shawna Lockhart,2010-04 A Tutorial Guide to AutoCAD 2011 provides a step by step introduction to AutoCAD with commands presented in the context of each tutorial In fifteen clear and comprehensive chapters author Shawna Lockhart guides readers through all the important commands and techniques in AutoCAD 2011 from 2D drawing to solid modeling and finally finishing with rendering In each lesson the author provides step by step instructions with frequent illustrations showing exactly what appears on the AutoCAD screen Later individual steps are no longer provided and readers are asked to apply what they ve learned by completing sequences on their own A carefully developed pedagogy reinforces this cumulative learning approach and supports readers in becoming skilled AutoCAD users A Tutorial Guide to AutoCAD 2011 begins with three Getting Started chapters that include information to get readers of all levels prepared for the tutorials The author includes tips that offer suggestions and warnings as you progress through the tutorials Key Terms and Key Commands are listed at the end of each chapter to recap important topics and commands learned in each tutorial Also a glossary of terms and Commands Summary lists the key commands used in the tutorials Each chapter concludes with end of chapter problems providing challenges to a range of abilities in mechanical electrical and civil engineering as well as architectural problems

AutoCAD 2017 Tutorial First

Level 2D Fundamentals Randy Shih, 2016-05 The primary goal of AutoCAD 2017 Tutorial First Level 2D Fundamentals is to introduce the aspects of Computer Aided Design and Drafting CADD This text is intended to be used as a training guide for students and professionals This text covers AutoCAD 2017 and the lessons proceed in a pedagogical fashion to guide you from constructing basic shapes to making multiview drawings This textbook contains a series of eleven tutorial style lessons designed to introduce beginning CAD users to AutoCAD 2017 It takes a hands on exercise intensive approach to all the important 2D CAD techniques and concepts This text is also helpful to AutoCAD users upgrading from a previous release of the software The new improvements and key enhancements of the software are incorporated into the lessons The 2D CAD techniques and concepts discussed in this text are also designed to serve as the foundation to the more advanced parametric feature based CAD packages such as Autodesk Inventor The basic premise of this book is that the more designs you create using AutoCAD 2017 the better you learn the software With this in mind each lesson introduces a new set of commands and concepts building on previous lessons This book is intended to help readers establish a good basis for exploring and growing in the exciting field of Computer Aided Engineering

Immerse yourself in the artistry of words with is expressive creation, Immerse Yourself in **Autocad 2010 Tutorial Second Level 3d Modeling** . This ebook, presented in a PDF format (PDF Size: *), is a masterpiece that goes beyond conventional storytelling. Indulge your senses in prose, poetry, and knowledge. Download now to let the beauty of literature and artistry envelop your mind in a unique and expressive way.

https://stats.tinkerine.com/public/uploaded-files/Documents/becoming_black_becoming_black.pdf

Table of Contents Autocad 2010 Tutorial Second Level 3d Modeling

1. Understanding the eBook Autocad 2010 Tutorial Second Level 3d Modeling
 - The Rise of Digital Reading Autocad 2010 Tutorial Second Level 3d Modeling
 - Advantages of eBooks Over Traditional Books
2. Identifying Autocad 2010 Tutorial Second Level 3d Modeling
 - Exploring Different Genres
 - Considering Fiction vs. Non-Fiction
 - Determining Your Reading Goals
3. Choosing the Right eBook Platform
 - Popular eBook Platforms
 - Features to Look for in an Autocad 2010 Tutorial Second Level 3d Modeling
 - User-Friendly Interface
4. Exploring eBook Recommendations from Autocad 2010 Tutorial Second Level 3d Modeling
 - Personalized Recommendations
 - Autocad 2010 Tutorial Second Level 3d Modeling User Reviews and Ratings
 - Autocad 2010 Tutorial Second Level 3d Modeling and Bestseller Lists
5. Accessing Autocad 2010 Tutorial Second Level 3d Modeling Free and Paid eBooks
 - Autocad 2010 Tutorial Second Level 3d Modeling Public Domain eBooks
 - Autocad 2010 Tutorial Second Level 3d Modeling eBook Subscription Services
 - Autocad 2010 Tutorial Second Level 3d Modeling Budget-Friendly Options

6. Navigating Autocad 2010 Tutorial Second Level 3d Modeling eBook Formats
 - ePub, PDF, MOBI, and More
 - Autocad 2010 Tutorial Second Level 3d Modeling Compatibility with Devices
 - Autocad 2010 Tutorial Second Level 3d Modeling Enhanced eBook Features
7. Enhancing Your Reading Experience
 - Adjustable Fonts and Text Sizes of Autocad 2010 Tutorial Second Level 3d Modeling
 - Highlighting and Note-Taking Autocad 2010 Tutorial Second Level 3d Modeling
 - Interactive Elements Autocad 2010 Tutorial Second Level 3d Modeling
8. Staying Engaged with Autocad 2010 Tutorial Second Level 3d Modeling
 - Joining Online Reading Communities
 - Participating in Virtual Book Clubs
 - Following Authors and Publishers Autocad 2010 Tutorial Second Level 3d Modeling
9. Balancing eBooks and Physical Books Autocad 2010 Tutorial Second Level 3d Modeling
 - Benefits of a Digital Library
 - Creating a Diverse Reading Collection Autocad 2010 Tutorial Second Level 3d Modeling
10. Overcoming Reading Challenges
 - Dealing with Digital Eye Strain
 - Minimizing Distractions
 - Managing Screen Time
11. Cultivating a Reading Routine Autocad 2010 Tutorial Second Level 3d Modeling
 - Setting Reading Goals Autocad 2010 Tutorial Second Level 3d Modeling
 - Carving Out Dedicated Reading Time
12. Sourcing Reliable Information of Autocad 2010 Tutorial Second Level 3d Modeling
 - Fact-Checking eBook Content of Autocad 2010 Tutorial Second Level 3d Modeling
 - Distinguishing Credible Sources
13. Promoting Lifelong Learning
 - Utilizing eBooks for Skill Development
 - Exploring Educational eBooks
14. Embracing eBook Trends
 - Integration of Multimedia Elements

- Interactive and Gamified eBooks

Autocad 2010 Tutorial Second Level 3d Modeling Introduction

In today's digital age, the availability of Autocad 2010 Tutorial Second Level 3d Modeling books and manuals for download has revolutionized the way we access information. Gone are the days of physically flipping through pages and carrying heavy textbooks or manuals. With just a few clicks, we can now access a wealth of knowledge from the comfort of our own homes or on the go. This article will explore the advantages of Autocad 2010 Tutorial Second Level 3d Modeling books and manuals for download, along with some popular platforms that offer these resources. One of the significant advantages of Autocad 2010 Tutorial Second Level 3d Modeling books and manuals for download is the cost-saving aspect. Traditional books and manuals can be costly, especially if you need to purchase several of them for educational or professional purposes. By accessing Autocad 2010 Tutorial Second Level 3d Modeling versions, you eliminate the need to spend money on physical copies. This not only saves you money but also reduces the environmental impact associated with book production and transportation. Furthermore, Autocad 2010 Tutorial Second Level 3d Modeling books and manuals for download are incredibly convenient. With just a computer or smartphone and an internet connection, you can access a vast library of resources on any subject imaginable. Whether you're a student looking for textbooks, a professional seeking industry-specific manuals, or someone interested in self-improvement, these digital resources provide an efficient and accessible means of acquiring knowledge. Moreover, PDF books and manuals offer a range of benefits compared to other digital formats. PDF files are designed to retain their formatting regardless of the device used to open them. This ensures that the content appears exactly as intended by the author, with no loss of formatting or missing graphics. Additionally, PDF files can be easily annotated, bookmarked, and searched for specific terms, making them highly practical for studying or referencing. When it comes to accessing Autocad 2010 Tutorial Second Level 3d Modeling books and manuals, several platforms offer an extensive collection of resources. One such platform is Project Gutenberg, a nonprofit organization that provides over 60,000 free eBooks. These books are primarily in the public domain, meaning they can be freely distributed and downloaded. Project Gutenberg offers a wide range of classic literature, making it an excellent resource for literature enthusiasts. Another popular platform for Autocad 2010 Tutorial Second Level 3d Modeling books and manuals is Open Library. Open Library is an initiative of the Internet Archive, a non-profit organization dedicated to digitizing cultural artifacts and making them accessible to the public. Open Library hosts millions of books, including both public domain works and contemporary titles. It also allows users to borrow digital copies of certain books for a limited period, similar to a library lending system. Additionally, many universities and educational institutions have their own digital libraries that provide free access to PDF books and manuals. These libraries often offer academic texts, research papers, and technical manuals, making them invaluable resources for students.

and researchers. Some notable examples include MIT OpenCourseWare, which offers free access to course materials from the Massachusetts Institute of Technology, and the Digital Public Library of America, which provides a vast collection of digitized books and historical documents. In conclusion, Autocad 2010 Tutorial Second Level 3d Modeling books and manuals for download have transformed the way we access information. They provide a cost-effective and convenient means of acquiring knowledge, offering the ability to access a vast library of resources at our fingertips. With platforms like Project Gutenberg, Open Library, and various digital libraries offered by educational institutions, we have access to an ever-expanding collection of books and manuals. Whether for educational, professional, or personal purposes, these digital resources serve as valuable tools for continuous learning and self-improvement. So why not take advantage of the vast world of Autocad 2010 Tutorial Second Level 3d Modeling books and manuals for download and embark on your journey of knowledge?

FAQs About Autocad 2010 Tutorial Second Level 3d Modeling Books

How do I know which eBook platform is the best for me? Finding the best eBook platform depends on your reading preferences and device compatibility. Research different platforms, read user reviews, and explore their features before making a choice. Are free eBooks of good quality? Yes, many reputable platforms offer high-quality free eBooks, including classics and public domain works. However, make sure to verify the source to ensure the eBook credibility. Can I read eBooks without an eReader? Absolutely! Most eBook platforms offer webbased readers or mobile apps that allow you to read eBooks on your computer, tablet, or smartphone. How do I avoid digital eye strain while reading eBooks? To prevent digital eye strain, take regular breaks, adjust the font size and background color, and ensure proper lighting while reading eBooks. What the advantage of interactive eBooks? Interactive eBooks incorporate multimedia elements, quizzes, and activities, enhancing the reader engagement and providing a more immersive learning experience. Autocad 2010 Tutorial Second Level 3d Modeling is one of the best book in our library for free trial. We provide copy of Autocad 2010 Tutorial Second Level 3d Modeling in digital format, so the resources that you find are reliable. There are also many Ebooks of related with Autocad 2010 Tutorial Second Level 3d Modeling. Where to download Autocad 2010 Tutorial Second Level 3d Modeling online for free? Are you looking for Autocad 2010 Tutorial Second Level 3d Modeling PDF? This is definitely going to save you time and cash in something you should think about. If you trying to find then search around for online. Without a doubt there are numerous these available and many of them have the freedom. However without doubt you receive whatever you purchase. An alternate way to get ideas is always to check another Autocad 2010 Tutorial Second Level 3d Modeling. This method for see exactly what may be included and adopt these ideas to your book. This site will almost certainly help you save time and

effort, money and stress. If you are looking for free books then you really should consider finding to assist you try this. Several of Autocad 2010 Tutorial Second Level 3d Modeling are for sale to free while some are payable. If you arent sure if the books you would like to download works with for usage along with your computer, it is possible to download free trials. The free guides make it easy for someone to free access online library for download books to your device. You can get free download on free trial for lots of books categories. Our library is the biggest of these that have literally hundreds of thousands of different products categories represented. You will also see that there are specific sites catered to different product types or categories, brands or niches related with Autocad 2010 Tutorial Second Level 3d Modeling. So depending on what exactly you are searching, you will be able to choose e books to suit your own need. Need to access completely for Campbell Biology Seventh Edition book? Access Ebook without any digging. And by having access to our ebook online or by storing it on your computer, you have convenient answers with Autocad 2010 Tutorial Second Level 3d Modeling To get started finding Autocad 2010 Tutorial Second Level 3d Modeling, you are right to find our website which has a comprehensive collection of books online. Our library is the biggest of these that have literally hundreds of thousands of different products represented. You will also see that there are specific sites catered to different categories or niches related with Autocad 2010 Tutorial Second Level 3d Modeling So depending on what exactly you are searching, you will be able to choose ebook to suit your own need. Thank you for reading Autocad 2010 Tutorial Second Level 3d Modeling. Maybe you have knowledge that, people have search numerous times for their favorite readings like this Autocad 2010 Tutorial Second Level 3d Modeling, but end up in harmful downloads. Rather than reading a good book with a cup of coffee in the afternoon, instead they juggled with some harmful bugs inside their laptop. Autocad 2010 Tutorial Second Level 3d Modeling is available in our book collection an online access to it is set as public so you can download it instantly. Our digital library spans in multiple locations, allowing you to get the most less latency time to download any of our books like this one. Merely said, Autocad 2010 Tutorial Second Level 3d Modeling is universally compatible with any devices to read.

Find Autocad 2010 Tutorial Second Level 3d Modeling :

[becoming black becoming black](#)

bed bath and beyond nutribullet 900

~~beechnraft king air b100 be 1 after maintenance service manual~~

bed bath and beyond humidifier

beginners guide to beading on a loom

becu business account

~~bedford engine repair manual~~

beechcraft bonanza service manual service manual

~~beginner guide for solidworks~~

~~beginners introduction to the nikon d3100~~

~~becoming edvard munch influence anxiety and myth art institute of chicago~~

~~bedford liechti mechanics of materials solutions manual~~

~~before cultures the ethnographic imagination in american literature 1865 1920~~

beemdgras grote lijsters nr 6

~~before and after zachariah~~

Autocad 2010 Tutorial Second Level 3d Modeling :

Laboratory Manual for Introductory Circuit Analysis ... Laboratory Manual for Introductory Circuit Analysis textbook solutions from Chegg, view all supported editions. (PDF) Solution-of-introductory-circuit-analysis | ashraf alom Instructor's Resource Manual to accompany Introductory Circuit Analysis Eleventh Edition ... Circuits Lab 2 Introduction · Howard Brooks. Download Free PDF View ... Introductory Circuit Analysis 12 E Robert L Boylestad Lab ... Jul 12, 2023 — maintenance manual bmw z4. 2005 manual bmw z4 radio manual bmw x5 obd codes bodie kane marcus investments. 9th edition solutions manual bobcat ... Introductory Circuit Analysis - 13th Edition - Solutions and ... Our resource for Introductory Circuit Analysis includes answers to chapter exercises, as well as detailed information to walk you through the process step by ... Lab Manual for Introductory Circuit Analysis Lab Manual for Introductory Circuit Analysis. 13th Edition. ISBN-13: 978-0133923780 ... solutions. Two experiments were added to the ac section to provide the ... Solutions Manual to Accompany... book by Robert L. ... Introductory Circuit Analysis: Laboratory Manual. Robert L. Boylestad, Gabriel Kousourou. from: \$44.19. Laboratory Manual For Introductory Circuit Analysis 12th ... Access Laboratory Manual for Introductory Circuit Analysis 12th Edition Chapter 26 solutions now. Our solutions are written by Chegg experts so you can be ... Solutions for Introductory Circuit Analysis (13th Edition) Introductory Circuit Analysis and Laboratory Manual for Introductory Circuit Analysis (12th Edition). 12th Edition. ISBN: 9780132110648. INTRODUCTORY CIRCUIT ... Sample lab solutions manual for introductory circuit ... Sample lab solutions manual for introductory circuit analysis 13th 2. Content type. User Generated. The-Solution-Manual-of-Introductory-Circuit-Analysis ... View The-Solution-Manual-of-Introductory-Circuit-Analysis-Thirteenth-Edition-Robert-L.Boylestad (1).pdf from EEE 121 at Chittagong University of Engineering ... Accounting and Finance An Introduction 8th Edition ... - Issuu Apr 4, 2019 — Three progress tests, with solutions. Each of these contains ten multiple choice questions, ten missing word questions and either two or three ... Atrill And Mclaney 8th Edition Solutions In a period characterized by interconnectedness and an insatiable thirst for knowledge, the captivating potential of verbal

expression has emerged as a ... McLaney&Atrill: AFAI_p8 (8th Edition) Accounting and Finance: An Introduction, now in its eighth edition, contains all the information you need to start your business career. With its use of ... Accounting and Finance - An Introduction, 8th Edition ATRILL • MCLANEY • HARVEY • CONG. ACCOUNTING. AN INTRODUCTION. Page 2. v ... Solutions to activities. 664. Management accounting capstone case 2. 667. Glossary. Peter Atrill Study guides, Class notes & Summaries Complete Solutions Manual for Accounting: An Introduction, 8th edition 8e by Peter Atrill Eddie McLaney David Harvey Ling Mei Cong. BU-FIN.docx - Business Finance Eddie McLaney 8th ... View BU-FIN.docx from B_A MISC at Washington State University. Business Finance Eddie McLaney 8th Edition Theory and Practice BUSINESS FINANCE Theory and ... Financial Management For Decision Makers 8th Edition ... Financial Management for Decision Makers 8th Edition Edition Atrill Solutions Manual - Read online for free. Solution Manual to Financial Accounting 8th edition ... Aug 14, 2021 — Solution Manual to Financial Accounting 8th edition-McGraw-Hill (2013) Robert Libby, Patricia Libby, Daniel Short - · Module · Solutions Manual. Accounting and Finance for Non-Specialists ... 8th-Edition" ... Search results. Accounting and Finance for Non-Specialists. 12th Edition. Peter Atrill, Eddie McLaney. Multiple ISBNs available. 5 options from £ ... Medical Assisting, 9th Edition - 9780357502815 MindTap for Blesi's, Medical Assisting: Administrative & Clinical Competencies, 9th Edition is the digital learning solution that powers students from ... Medical Assisting: Administrative and Clinical Competencies This comprehensive text helps you develop the critical knowledge, skills, and behaviors to succeed as an entry-level medical assistant. Medical Assisting: Administrative & Clinical Competencies ... Strengthen your knowledge base as well as the critical skills and behaviors needed to become a successful entry-level medical assistant with Blesi's MEDICAL ... Medical Assisting, Administrative and Clinical Competencies Over 20 new administrative and clinical procedures that include notes, rationales, and charting examples; New chapter on medical terminology; Electronic health ... Comprehensive Medical Assisting Administrative and ... Divided into three sections, chapters start with general topics, including therapeutic communications, coping skills, and professionalism. Administrative ... Medical Assisting, 8th Edition - 9781337909815 MEDICAL ASSISTING: ADMINISTRATIVE AND CLINICAL COMPETENCIES UPDATE, Eighth Edition, delivers the critical cognitive (knowledge base), psychomotor (skills) and ... Medical Assisting, Administrative and Clinical Competencies Description: This comprehensive text helps you develop the critical knowledge, skills, and behaviors to succeed as an entry-level medical assistant. Medical Assisting: Administrative & Clinical Competencies Strengthen your knowledge base as well as the critical skills and behaviors needed to become a successful entry-level medical assistant with Blesi's. Workbook to Accompany Medical Assisting This entry-level medical assistant workbook is part of a proven comprehensive learning system that covers all of the administrative, clinical, and general ... Bundle: Medical Assisting: Administrative & Clinical ... Buy Bundle: Medical Assisting: Administrative & Clinical Competencies (Update), 8th + MindTap Medical Assisting, 4 terms (24 months) Printed Access Card ...