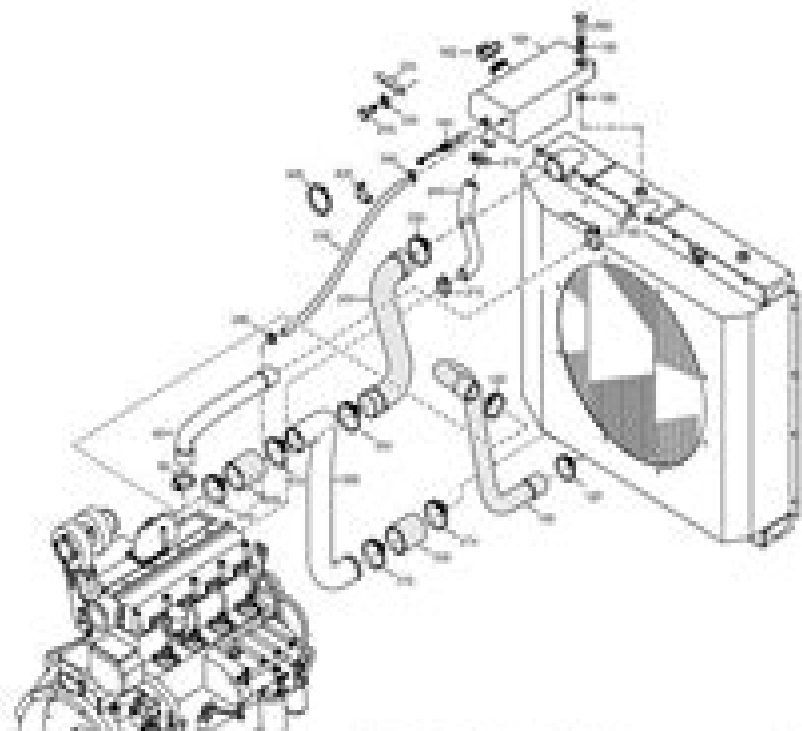


STANDARD

FRONT LOADING



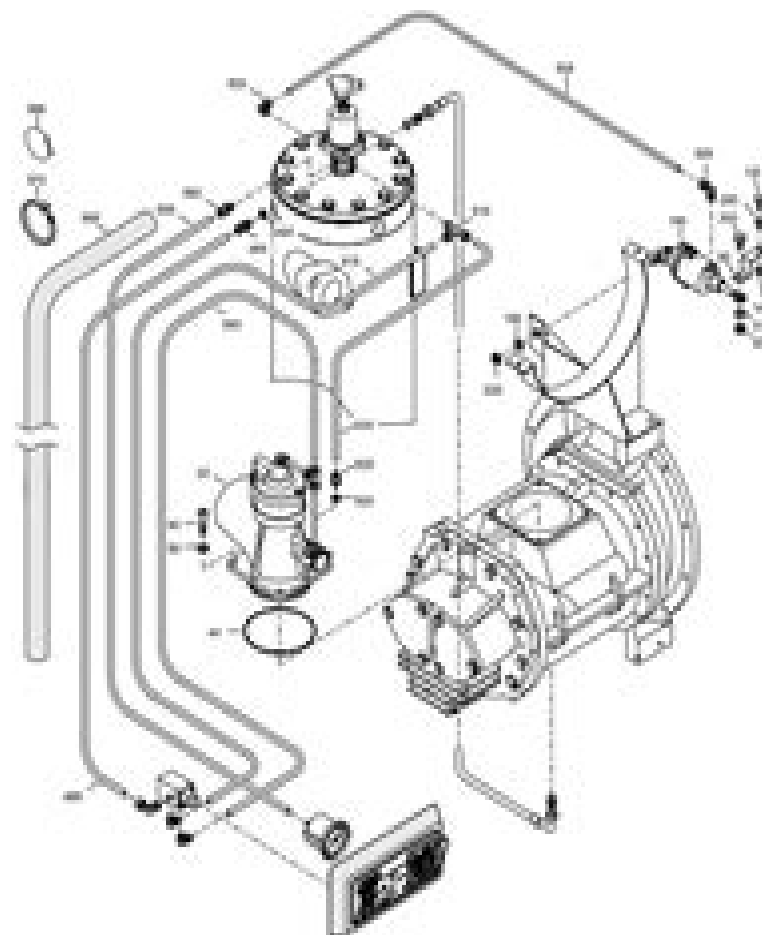
| REF. | REF. NUMBER | DESCRIPTION | QTY | REF. | REF. NUMBER | DESCRIPTION | QTY |
|------|-------------|------------------|-----|------|-------------|-------------|-----|
| 01 | 100 0110 01 | BOX | 1 | 39 | 107 0100 01 | WIRE CLAMP | 1 |
| 02 | 107 0100 01 | WIRE CLAMP | 1 | 40 | 101 0000 01 | BRACKET | 1 |
| 03 | 100 0114 01 | WIRE | 1 | 41 | 100 1000 00 | CABLE TIE | 1 |
| 04 | 107 0100 01 | WIRE CLAMP | 1 | | | | |
| 05 | 100 0100 01 | TOPWALL | 1 | | | | |
| 06 | 101 0000 01 | ADJUSTER PAD | 1 | | | | |
| 07 | 100 0100 01 | LEVEL VENTIL | 1 | | | | |
| 08 | 100 1000 00 | FLAT BUSHES | 1 | | | | |
| 09 | 100 0100 01 | BUSH W/SLT | 1 | | | | |
| 10 | 100 0100 01 | BOX | 1 | | | | |
| 11 | 107 0100 01 | WIRE CLAMP | 1 | | | | |
| 12 | 107 1000 01 | BOX, BLAD W/REP | 1 | | | | |
| 13 | 100 1000 00 | LOCK W/SHR | 1 | | | | |
| 14 | 100 0000 00 | BRACKET | 1 | | | | |
| 15 | 075 0000 00 | FLAT W/SH | 1 | | | | |
| 16 | 107 0100 01 | WIRE CLAMP | 1 | | | | |
| 17 | 100 0110 01 | WIRE | 1 | | | | |
| 18 | 100 0100 01 | BOX | 1 | | | | |
| 19 | 107 0100 01 | WIRE CLAMP | 1 | | | | |
| 20 | 100 0100 01 | WIRE INTERCOOLER | 1 | | | | |

REF. 100 1000 00

10

STANDARD

WASHING SYSTEM



10

REF. 100 1000 00

Atlas Copco Ga37ff Service Manual

Mike Jess



Atlas Copco Ga37ff Service Manual:

Embark on a transformative journey with Written by is captivating work, Grab Your Copy of **Atlas Copco Ga37ff Service Manual** . This enlightening ebook, available for download in a convenient PDF format , invites you to explore a world of boundless knowledge. Unleash your intellectual curiosity and discover the power of words as you dive into this riveting creation. Download now and elevate your reading experience to new heights .

<https://stats.tinkerine.com/files/Resources/index.jsp/amigos%20dinho%20ormento%20familiar%20portuguese.pdf>

Table of Contents Atlas Copco Ga37ff Service Manual

1. Understanding the eBook Atlas Copco Ga37ff Service Manual
 - The Rise of Digital Reading Atlas Copco Ga37ff Service Manual
 - Advantages of eBooks Over Traditional Books
2. Identifying Atlas Copco Ga37ff Service Manual
 - Exploring Different Genres
 - Considering Fiction vs. Non-Fiction
 - Determining Your Reading Goals
3. Choosing the Right eBook Platform
 - Popular eBook Platforms
 - Features to Look for in an Atlas Copco Ga37ff Service Manual
 - User-Friendly Interface
4. Exploring eBook Recommendations from Atlas Copco Ga37ff Service Manual
 - Personalized Recommendations
 - Atlas Copco Ga37ff Service Manual User Reviews and Ratings
 - Atlas Copco Ga37ff Service Manual and Bestseller Lists
5. Accessing Atlas Copco Ga37ff Service Manual Free and Paid eBooks
 - Atlas Copco Ga37ff Service Manual Public Domain eBooks
 - Atlas Copco Ga37ff Service Manual eBook Subscription Services
 - Atlas Copco Ga37ff Service Manual Budget-Friendly Options

6. Navigating Atlas Copco Ga37ff Service Manual eBook Formats
 - ePub, PDF, MOBI, and More
 - Atlas Copco Ga37ff Service Manual Compatibility with Devices
 - Atlas Copco Ga37ff Service Manual Enhanced eBook Features
7. Enhancing Your Reading Experience
 - Adjustable Fonts and Text Sizes of Atlas Copco Ga37ff Service Manual
 - Highlighting and Note-Taking Atlas Copco Ga37ff Service Manual
 - Interactive Elements Atlas Copco Ga37ff Service Manual
8. Staying Engaged with Atlas Copco Ga37ff Service Manual
 - Joining Online Reading Communities
 - Participating in Virtual Book Clubs
 - Following Authors and Publishers Atlas Copco Ga37ff Service Manual
9. Balancing eBooks and Physical Books Atlas Copco Ga37ff Service Manual
 - Benefits of a Digital Library
 - Creating a Diverse Reading Collection Atlas Copco Ga37ff Service Manual
10. Overcoming Reading Challenges
 - Dealing with Digital Eye Strain
 - Minimizing Distractions
 - Managing Screen Time
11. Cultivating a Reading Routine Atlas Copco Ga37ff Service Manual
 - Setting Reading Goals Atlas Copco Ga37ff Service Manual
 - Carving Out Dedicated Reading Time
12. Sourcing Reliable Information of Atlas Copco Ga37ff Service Manual
 - Fact-Checking eBook Content of Atlas Copco Ga37ff Service Manual
 - Distinguishing Credible Sources
13. Promoting Lifelong Learning
 - Utilizing eBooks for Skill Development
 - Exploring Educational eBooks
14. Embracing eBook Trends
 - Integration of Multimedia Elements

- Interactive and Gamified eBooks

Atlas Copco Ga37ff Service Manual Introduction

In today's digital age, the availability of Atlas Copco Ga37ff Service Manual books and manuals for download has revolutionized the way we access information. Gone are the days of physically flipping through pages and carrying heavy textbooks or manuals. With just a few clicks, we can now access a wealth of knowledge from the comfort of our own homes or on the go. This article will explore the advantages of Atlas Copco Ga37ff Service Manual books and manuals for download, along with some popular platforms that offer these resources. One of the significant advantages of Atlas Copco Ga37ff Service Manual books and manuals for download is the cost-saving aspect. Traditional books and manuals can be costly, especially if you need to purchase several of them for educational or professional purposes. By accessing Atlas Copco Ga37ff Service Manual versions, you eliminate the need to spend money on physical copies. This not only saves you money but also reduces the environmental impact associated with book production and transportation. Furthermore, Atlas Copco Ga37ff Service Manual books and manuals for download are incredibly convenient. With just a computer or smartphone and an internet connection, you can access a vast library of resources on any subject imaginable. Whether you're a student looking for textbooks, a professional seeking industry-specific manuals, or someone interested in self-improvement, these digital resources provide an efficient and accessible means of acquiring knowledge. Moreover, PDF books and manuals offer a range of benefits compared to other digital formats. PDF files are designed to retain their formatting regardless of the device used to open them. This ensures that the content appears exactly as intended by the author, with no loss of formatting or missing graphics. Additionally, PDF files can be easily annotated, bookmarked, and searched for specific terms, making them highly practical for studying or referencing. When it comes to accessing Atlas Copco Ga37ff Service Manual books and manuals, several platforms offer an extensive collection of resources. One such platform is Project Gutenberg, a nonprofit organization that provides over 60,000 free eBooks. These books are primarily in the public domain, meaning they can be freely distributed and downloaded. Project Gutenberg offers a wide range of classic literature, making it an excellent resource for literature enthusiasts. Another popular platform for Atlas Copco Ga37ff Service Manual books and manuals is Open Library. Open Library is an initiative of the Internet Archive, a non-profit organization dedicated to digitizing cultural artifacts and making them accessible to the public. Open Library hosts millions of books, including both public domain works and contemporary titles. It also allows users to borrow digital copies of certain books for a limited period, similar to a library lending system. Additionally, many universities and educational institutions have their own digital libraries that provide free access to PDF books and manuals. These libraries often offer academic texts, research papers, and technical manuals, making them invaluable resources for students and researchers. Some notable examples include MIT OpenCourseWare,

which offers free access to course materials from the Massachusetts Institute of Technology, and the Digital Public Library of America, which provides a vast collection of digitized books and historical documents. In conclusion, Atlas Copco Ga37ff Service Manual books and manuals for download have transformed the way we access information. They provide a cost-effective and convenient means of acquiring knowledge, offering the ability to access a vast library of resources at our fingertips. With platforms like Project Gutenberg, Open Library, and various digital libraries offered by educational institutions, we have access to an ever-expanding collection of books and manuals. Whether for educational, professional, or personal purposes, these digital resources serve as valuable tools for continuous learning and self-improvement. So why not take advantage of the vast world of Atlas Copco Ga37ff Service Manual books and manuals for download and embark on your journey of knowledge?

FAQs About Atlas Copco Ga37ff Service Manual Books

What is a Atlas Copco Ga37ff Service Manual PDF? A PDF (Portable Document Format) is a file format developed by Adobe that preserves the layout and formatting of a document, regardless of the software, hardware, or operating system used to view or print it. **How do I create a Atlas Copco Ga37ff Service Manual PDF?** There are several ways to create a PDF: Use software like Adobe Acrobat, Microsoft Word, or Google Docs, which often have built-in PDF creation tools. Print to PDF: Many applications and operating systems have a "Print to PDF" option that allows you to save a document as a PDF file instead of printing it on paper. Online converters: There are various online tools that can convert different file types to PDF. **How do I edit a Atlas Copco Ga37ff Service Manual PDF?** Editing a PDF can be done with software like Adobe Acrobat, which allows direct editing of text, images, and other elements within the PDF. Some free tools, like PDFescape or Smallpdf, also offer basic editing capabilities. **How do I convert a Atlas Copco Ga37ff Service Manual PDF to another file format?** There are multiple ways to convert a PDF to another format: Use online converters like Smallpdf, Zamzar, or Adobe Acrobats export feature to convert PDFs to formats like Word, Excel, JPEG, etc. Software like Adobe Acrobat, Microsoft Word, or other PDF editors may have options to export or save PDFs in different formats. **How do I password-protect a Atlas Copco Ga37ff Service Manual PDF?** Most PDF editing software allows you to add password protection. In Adobe Acrobat, for instance, you can go to "File" -> "Properties" -> "Security" to set a password to restrict access or editing capabilities. Are there any free alternatives to Adobe Acrobat for working with PDFs? Yes, there are many free alternatives for working with PDFs, such as: LibreOffice: Offers PDF editing features. PDFsam: Allows splitting, merging, and editing PDFs. Foxit Reader: Provides basic PDF viewing and editing capabilities. How do I compress a PDF file? You can use online tools like Smallpdf, ILovePDF, or desktop software like Adobe Acrobat to compress PDF files without significant quality loss.

Compression reduces the file size, making it easier to share and download. Can I fill out forms in a PDF file? Yes, most PDF viewers/editors like Adobe Acrobat, Preview (on Mac), or various online tools allow you to fill out forms in PDF files by selecting text fields and entering information. Are there any restrictions when working with PDFs? Some PDFs might have restrictions set by their creator, such as password protection, editing restrictions, or print restrictions. Breaking these restrictions might require specific software or tools, which may or may not be legal depending on the circumstances and local laws.

Find Atlas Copco Ga37ff Service Manual :

amigos dinheiro ormento familiar portuguese

[american pageant 14th edition study guide answers](#)

[american red cross emr study guide](#)

amish knit and stitch circle ~ book 1 ~ a knot smicksburg tales 4 series

[american standard gam5 air handler manual](#)

american society of clinical oncology 2013 educational book may 31 june 4 2013

[american sniper chris kyle funeral](#)

[american modern 1925 1940 design for a new age](#)

[american maritime prisoners revolutionary war](#)

[american paris vocal selections](#)

[americanah by chimamanda ngozi adichie trivia on books](#)

american muscle cars 2013

[american pageant guidebook answers](#)

among the believers an islamic journey

american sniper movie redbox

Atlas Copco Ga37ff Service Manual :

im ewigen reich der 13 paladin band vii amazon de - Aug 15 2023

web im ewigen reich der 13 paladin band vii torsten weitze isbn 9783947515776 kostenloser versand für alle bücher mit versand und verkauf duch amazon paladin band vii torsten weitze amazon de bücher

[amazon it im ewigen reich der 13 paladin band vii libri](#) - Oct 05 2022

web scopri im ewigen reich der 13 paladin band vii di spedizione gratuita per i clienti prime e per ordini a partire da 29 spediti da amazon

im ewigen reich von torsten weitze ebook thalia - Feb 09 2023

web beschreibung ahren lässt seine gefährten zurück und macht sich mit khara auf den weg ins ewige reich denn die zeit rennt die bannwolke breitet sich immer weiter aus und noch immer sind nicht alle 13 paladine vereint doch der

im ewigen reich der 13 paladin band vii reviewmeta com - Jan 28 2022

web see our 2023 adjusted rating after removing 7 of the 107 amazon reviews deemed unnatural for im ewigen reich der 13 paladin band vii

amazon de customer reviews im ewigen reich der 13 paladin band vii - Jun 01 2022

web find helpful customer reviews and review ratings for im ewigen reich der 13 paladin band vii at amazon de read honest and unbiased product reviews from our users

im ewigen reich der 13 paladin band vii lovelybooks - Mar 10 2023

web inhaltsangabe zu im ewigen reich der 13 paladin band vii ahren lässt seine gefährten zurück und macht sich mit khara auf den weg ins ewige reich denn die zeit rennt die bannwolke breitet sich immer weiter aus und noch immer sind nicht alle 13 paladine vereint

im ewigen reich der 13 paladin band vii perfect paperback - Nov 06 2022

web amazon in buy im ewigen reich der 13 paladin band vii book online at best prices in india on amazon in read im ewigen reich der 13 paladin band vii book reviews author details and more at amazon in free delivery on qualified orders

im ewigen reich der 13 paladin band vii german edition - Jan 08 2023

web dec 10 2019 buy im ewigen reich der 13 paladin band vii german edition read kindle store reviews amazon com

der 13 paladin torsten weitze - Jun 13 2023

web der 13 paladin band viii der vater des berges ahren und seine gefährten sind endlich wiedervereint und habe in der ewigen kaiserin eine wertvolle verbündete und einen weiteren paladin für den kampf gegen den widersacher gewonnen doch die reise des dreizehnten paladins ist nicht ohne spuren an ihm vorübergezogen

im ewigen reich der 13 paladin band vii perfect paperback - Apr 30 2022

web im ewigen reich der 13 paladin band vii on amazon com au free shipping on eligible orders im ewigen reich der 13 paladin band vii

im ewigen reich der 13 paladin band vii amazon es libros - Mar 30 2022

web selecciona el departamento que quieras buscar

im ewigen reich der 13 paladin band vii kindle ausgabe amazon de - Jul 14 2023

web der schuber die bannwolke enthält die bände vi ix der saga der 13 paladin der kampf um hjalgar im ewigen reich der vater des berges im herzen des wutwaldes zusätzlich liegen dem set bei postkarte und lesezeichen beidseitig bedruckt mit motiven von littleluarts sowie eine din a4 karte joraths

[amazon de customer reviews im ewigen reich der 13 paladin band vii](#) - Aug 03 2022

web find helpful customer reviews and review ratings for im ewigen reich der 13 paladin band vii at amazon de read honest and unbiased product reviews from our users

im ewigen reich von torsten weitze ebooks orell füssli - Jul 02 2022

web im ewigen reich von torsten weitze ebooks orell füssli ebooks self publishing fantasy science fiction neu torino shine 4 smart klein mein jetzt sichern band 7 leseprobe beschreibung der 13 paladin band 7 im ewigen reich der 13 paladin band vii torsten weitze ebook fr 8 90 inkl gesetzl mwst versandkostenfrei 1 artikel erhalten

[im ewigen reich der 13 paladin band vii kindle edition amazon de](#) - Apr 11 2023

web im ewigen reich der 13 paladin band vii ebook weitze torsten amazon de kindle store

im ewigen reich der 13 paladin band vii perfect paperback - Dec 07 2022

web im ewigen reich der 13 paladin band vii on amazon com free shipping on qualifying offers im ewigen reich der 13 paladin band vii

im ewigen reich der 13 paladin band vii german edition - Dec 27 2021

web im ewigen reich der 13 paladin band vii german edition ebook weitze torsten amazon in kindle ☐ ☐ ☐

[im ewigen reich der 13 paladin 7 goodreads](#) - May 12 2023

web 4 61 886 ratings25 reviews ahren lässt seine gefährten zurück und macht sich mit khara auf den weg ins ewige reich denn die zeit rennt die bannwolke breitet sich immer weiter aus und noch immer sind nicht alle 13 paladine vereint

amazon de kundenrezensionen im ewigen reich der 13 paladin band vii - Sep 04 2022

web finde hilfreiche kundenrezensionen und rezensionsbewertungen für im ewigen reich der 13 paladin band vii auf amazon de lese ehrliche und unvoreingenommene rezensionen von unseren nutzern

im ewigen reich der 13 paladin band vii ebookempfehlung de - Feb 26 2022

web im ewigen reich der 13 paladin band vii ahren lässt seine gefährten zurück und macht sich mit khara auf den weg ins ewige reich denn die zeit rennt

restriction digest an overview sciencedirect topics - Nov 29 2022

web practical 7 restriction digestion of the pglo plasmid using ecori and hindiii restriction enzymes and pcr amplification of the gfp gene

[quora a place to share knowledge and better understand the world](#) - Dec 19 2021

a single molecule counting approach for convenient and plos - Mar 22 2022

web biology biology questions and answers 1 calculate the difference in dna concentration used in the restriction digest versus the pcr analysis estimate the difference in dna

prac 7 from rdna202 prac manual 2020 practical 7 - Jun 24 2022

web restriction digestion is required for pcr amplifying dna ampicillin is a gene that encodes for ampicillin resistance the ends produced by the endonuclease can be rejoined by a

11 3 exercise 1 plan the restriction digest biology libretxts - Jun 05 2023

web frederic lepretre sep 28 2022 answer hi shweta pawar the best way is to align data from re and your sequences try to use the genome browser from the ucsc there are some

11071 gi moss a gel interpretation practice studocu - Oct 29 2022

web restriction analyzer is an online restriction analysis tool it scans a dna sequence for the presence of restriction sites and outputs tabular results and an annotated sequence it

solved 1 calculate the difference in dna concentration used - Oct 17 2021

restriction digest analysis neosynbio - Mar 02 2023

web restriction digestion and analysis of lambda dna case western reserve university cleveland oh 8pp martin michael and stephen detzel a laboratory exercise to

restriction digest wikipedia - Apr 03 2023

web you have to identify two unknown plasmids using restriction digest analysis you miss lab when your group performs gel electrophoresis of your digests of plasmids 1 and 2

1 12 restriction digest with gel electrophoresis - Oct 09 2023

web using agarose gel electrophoresis students will examine the digestion patterns analyze the migration distances and determine the sizes of unknown dna fragments

activity 3 restriction enzyme analysis - Aug 27 2022

web dec 31 2020 herein we applied digital cell free protein synthesis as an easy to use orthogonal readout means to assess the restriction digest efficiency a new application

restriction analyzer an online restriction analysis tool - May 24 2022

web we would like to show you a description here but the site won t allow us

polymerase chain reaction pcr article khan academy - Dec 31 2022

web view the full answer transcribed image text student activity restriction analysis challenge 15 1 the combination of

restriction digestion and gel electrophoresis is often
[restriction digest analysis questions true or yes](#) - Jan 20 2022

[practical 3 analyzing dna fragments corporate ntu](#) - May 04 2023

web restriction digest do test restriction digests to determine which restriction enzymes cut only in the vector from automated dna sequencing and analysis 1994 related

solved restriction analysis challenge student activity 15 chegg - Jul 26 2022

web oct 19 2023 we investigated the polymorphic variations at the genomic level using double digest restriction associated dna ddrad sequencing in 12 squabs of sq and

chatgpt or not chatgpt that was the question briefly as - Nov 17 2021

[addgene protocol how to perform a diagnostic digest](#) - Jul 06 2023

web a restriction digest is a procedure used in molecular biology to prepare dna for analysis or other processing it is sometimes termed dna fragmentation though this term is used

the identification of functional genes affecting fat related meat - Feb 18 2022

restriction enzyme lab analysis of lambda dna fragments - Sep 27 2022

web step 1 1 a the size of plasmid 1 is 5000bp there are two ecor1 sites on it so there will be two fragments r view the full answer step 2 final answer previous question next

63 questions with answers in restriction enzyme - Feb 01 2023

web activity 3 restriction enzyme analysis share activity 3 restriction enzyme digestion how does it work why is it useful introduction special enzymes termed restriction

restriction digest of plasmid dna addgene - Aug 07 2023

web restriction digestion is the process of cutting dna molecules into smaller pieces with special enzymes called restriction endonucleases sometimes just called restriction

restriction digestion and analysis of lambda dna kit instruction - Sep 08 2023

web we will be analyzing the restriction fragments on 1 agarose gels which do a good job of resolving fragments ranging in size from 500 bp to 5000bp refer to the figure in

solved 1 you have to identify two unknown plasmids using chegg - Apr 22 2022

web 6 hours ago chatgpt provides sophisticated answers and detailed information in response to natural language queries

[ramdev dawa ling bada ams istanbul edu tr](#) - Dec 06 2022

web 2 ramdev dawa ling bada 2020 10 27 business the best of these columns in anticipating india explain and interpret provoke and predict change for more than a billion people a

[ramdev dawa ling bada w1 state security gov lb](#) - Sep 22 2021

web nov 30 2022 ramdev dawa ling bada 1 3 downloaded from w1 state security gov lb on november 30 2022 by guest ramdev dawa ling bada thank you enormously much

ramdev dawa ling bada pdf hipertexto - Aug 02 2022

web ramdev dawa ling bada e2shi web ramdev dawa ling bada 3 19 downloaded from e2shi jhu edu on by guest this book present proven strategies to enhance learning and reduce

[ling mota lamba karne ka tarika baba ramdev exercise ling bada](#) - Jun 12 2023

web jan 11 2021 ayurveda pankaj 3 92k subscribers 6 4k views 2 years ago ling mota lamba karne ka tarika baba ramdev exercise ling bada karne ka tarika sanyasi ayurveda ling ko takat banane

[ling bada karne ka tarika baba ramdev exercise ling bada](#) - Oct 04 2022

web sep 9 2019 ling bada karne ka tarika baba ramdev exercise ling bada karne ka tarika sanyasi ayurveda ling ko takat banane ling bada karne ka tarika baba ramdev exercise ling bada karne ka tarika sanyasi ayurveda ling ko takat banane

[hyperion exchange](#) - Feb 25 2022

web hyperion exchange

[makerbook net](#) - May 31 2022

web makerbook net

[ramdev dawa ling bada webmail gestudy byu edu](#) - Jan 27 2022

web feb 27 2023 enjoy now is ramdev dawa ling bada below study guide for introduction to medical surgical nursing adrienne dill linton 2008 06 01 study guide based on the

[ling bada karne ka tarika baba ramdev exercise ling bada](#) - Nov 05 2022

web nov 30 2019 ling bada karne ka tarika baba ramdev exercise ling bada karne ka tarika sanyasi ayurveda ling ko takat banane ling bada karne ka tarika baba ramdev exercise ling bada karne ka tarika sanyasi ayurveda ling ko takat banane

[ling ki lambai or motai badhane ki dawa suraj herbals](#) - Nov 24 2021

web mar 24 2023 ling ki lambai ling ki motai ling ko lamba or mota ling bada karne ka tarika baba ramdev exercise ling bada karne ka tarika sanyasi ayurveda ling ko takat banane

[ling bada karne ka tarika baba ramdev exercise ling bada](#) - Apr 29 2022

web ling bada karne ka tarika baba ramdev exercise ling bada karne ka tarika sanyasi ayurveda ling ko takat banane ling bada karne ka tarika baba ramdev exercise ling bada karne ka tarika sanyasi ayurveda ling ko takat banane

ramdev dawa ling bada w1 state security gov lb - Oct 24 2021

web ramdev dawa ling bada 1 2 downloaded from w1 state security gov lb on december 31 2022 by guest ramdev dawa ling bada thank you for reading ramdev dawa ling

ramdev dawa ling bada brb org uk - Sep 03 2022

web 2 ramdev dawa ling bada 2021 09 27 understood to have witnessed an uninterrupted expansion of sexual rights and liberties in the united states this state of the art

ramdev dawa ling bada cyberlab sutd edu sg - Aug 14 2023

web ramdev dawa ling bada nepal and bhutan sep 16 2021 displacement and the somatics of postcolonial culture is douglas robinson s study of postcolonial affect specifically of