

# Buick Lucerne 2006-2011 Workshop Manual

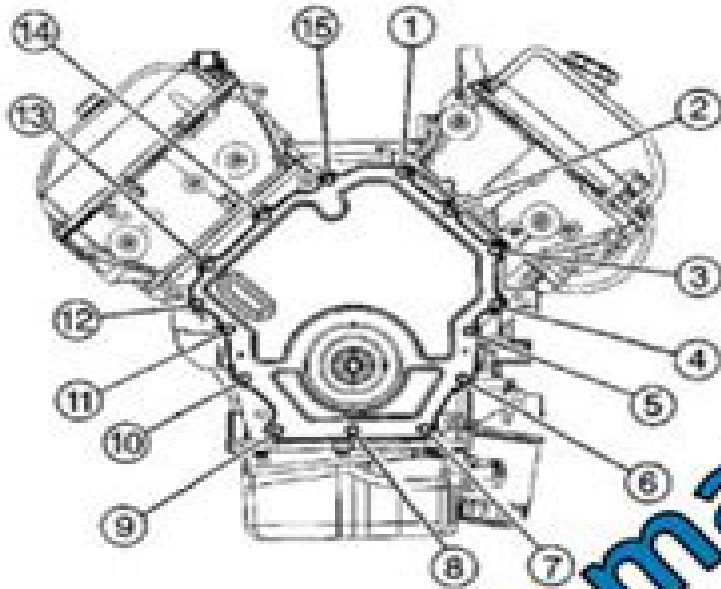


Fig. 72: Identifying Engine Front Cover Bolt Installation Sequence  
Courtesy of GENERAL MOTORS CORP.

NOTE: Refer to EASTERN ENGINE.

7. Tighten the engine front cover bolts in the sequence shown.

Tighten: Tighten the engine front cover bolts in the proper sequence to 10 N·m (70 in·lb).

## CAMSHAFT COVER INSTALLATION - LEFT SIDE

### TOOLS REQUIRED

- J 3882J Water Pump Pulley Installer. See **Special Tools**.

of the valve locks. See **Special Tools**.  
Remove the valve locks. A magnet is the most suitable tool.  
Loosen the retainer nut of the J 44211 (2) by using the arm  
retainer. See **Special Tools**.  
Remove the valve spring retainers.

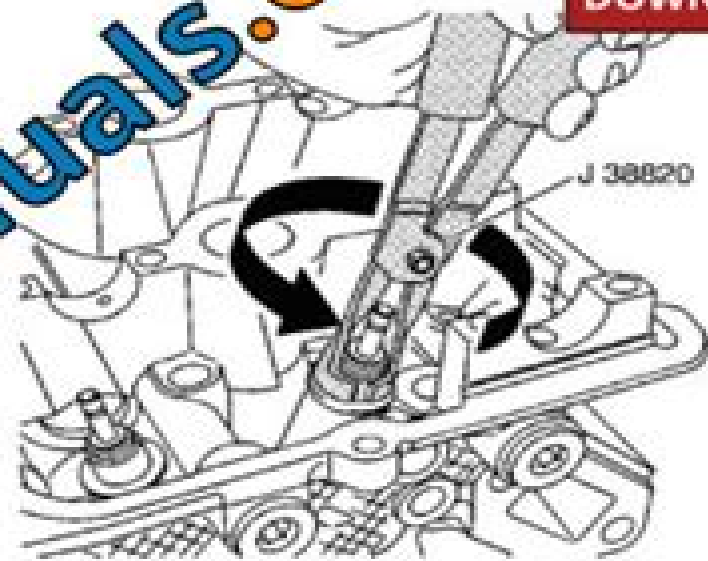


Fig. 329: Using J 38820 To Replace Valve Seal  
Courtesy of GENERAL MOTORS CORP.

**IMPORTANT:** The valve stem seal should not be removed unless replacement is required.

Use the J 38820 in order to grip the seal. See **Special Tools**. Remove the seal by exerting a twisting, pulling motion. Discard the old valve stem seal.

Inspect and measure the valve stem. Refer to **Valve Spring Inspection and**

# Buick Lucerne Operating Manual

**Helming**



## **Buick Lucerne Operating Manual:**

2010 Buick Lucerne Owner Manual Compatible with - OEM Owners Manual, Factory Glovebox Book Helming,2010-05-27

2008 Buick Lucerne Owner Manual Compatible with - OEM Owners Manual, Factory Glovebox Book Helming,2008-02-13

### **2006 Buick Lucerne Owner Manual Compatible with - OEM Owners Manual, Factory Glovebox Book**

Helming,2006-11-19

### **2009 Buick Lucerne Owner Manual Compatible with - OEM Owners Manual, Factory**

**Glovebox Book** Helming,2009-08-11

2011 Buick Lucerne Owner Manual Compatible with - OEM Owners Manual,

Factory Glovebox Book Helming,2011-02-02

The Cadillac Northstar V-8 Anthony Young,2017-01-31 Cadillac has had a

long history in the automotive marketplace as General Motors luxury car division During the 1980s Cadillac s management wanted to reestablish the brand as a leader in sophistication innovation refinement and prestige Engineers conceived a new dual overhead cam four valve per cylinder V 8 engine the Northstar This power plant was the heart of Cadillac s Northstar System which included a greatly improved suspension and braking system The division redesigned its entire line to incorporate these new technologies for the 1990s and beyond The Northstar was the last engine designed and built by Cadillac before the 2005 establishment of GM Powertrain which took over engine design for all GM divisions This history of the Northstar V 8 and the cars it powered covers the first generation front wheel drive Northstar the second generation rear wheel drive model and the supercharged version along with racing history and the most collectible Northstar powered Cadillacs

Relics of the Franklin Expedition Garth Walpole,2017-01-25 Sir John Franklin s Arctic expedition departed England in 1845 with two Royal Navy bomb vessels 129 men and three years worth of provisions None were seen again until nearly a decade later when their bleached bones broken instruments books papers and personal effects began to be recovered on Canada s King William Island These relics have since had a life of their own photographed analyzed cataloged and displayed in glass cases in London This book gives a definitive history of their preservation and exhibition from the Victorian era to the present richly illustrated with period engravings and photographs many never before published Appendices provide the first comprehensive accounting of all expedition relics recovered prior to the 2014 discovery of Franklin s ship HMS Erebus

### **Fuel Economy Guide ,2007 Statement of Disbursements of the House**

United States. Congress. House,1996 Covers receipts and expenditures of appropriations and other funds

*Gourmet Pearl* Violette

Newfield Metzelthin,2006

Embark on a transformative journey with Explore the World with is captivating work, Grab Your Copy of **Buick Lucerne Operating Manual** . This enlightening ebook, available for download in a convenient PDF format PDF Size: , invites you to explore a world of boundless knowledge. Unleash your intellectual curiosity and discover the power of words as you dive into this riveting creation. Download now and elevate your reading experience to new heights .

[https://stats.tinkerine.com/results/virtual-library/default.aspx/Bls\\_Practice\\_Test\\_Questions\\_2014.pdf](https://stats.tinkerine.com/results/virtual-library/default.aspx/Bls_Practice_Test_Questions_2014.pdf)

## **Table of Contents Buick Lucerne Operating Manual**

1. Understanding the eBook Buick Lucerne Operating Manual
  - The Rise of Digital Reading Buick Lucerne Operating Manual
  - Advantages of eBooks Over Traditional Books
2. Identifying Buick Lucerne Operating Manual
  - Exploring Different Genres
  - Considering Fiction vs. Non-Fiction
  - Determining Your Reading Goals
3. Choosing the Right eBook Platform
  - Popular eBook Platforms
  - Features to Look for in an Buick Lucerne Operating Manual
  - User-Friendly Interface
4. Exploring eBook Recommendations from Buick Lucerne Operating Manual
  - Personalized Recommendations
  - Buick Lucerne Operating Manual User Reviews and Ratings
  - Buick Lucerne Operating Manual and Bestseller Lists
5. Accessing Buick Lucerne Operating Manual Free and Paid eBooks
  - Buick Lucerne Operating Manual Public Domain eBooks
  - Buick Lucerne Operating Manual eBook Subscription Services
  - Buick Lucerne Operating Manual Budget-Friendly Options

6. Navigating Buick Lucerne Operating Manual eBook Formats
  - ePub, PDF, MOBI, and More
  - Buick Lucerne Operating Manual Compatibility with Devices
  - Buick Lucerne Operating Manual Enhanced eBook Features
7. Enhancing Your Reading Experience
  - Adjustable Fonts and Text Sizes of Buick Lucerne Operating Manual
  - Highlighting and Note-Taking Buick Lucerne Operating Manual
  - Interactive Elements Buick Lucerne Operating Manual
8. Staying Engaged with Buick Lucerne Operating Manual
  - Joining Online Reading Communities
  - Participating in Virtual Book Clubs
  - Following Authors and Publishers Buick Lucerne Operating Manual
9. Balancing eBooks and Physical Books Buick Lucerne Operating Manual
  - Benefits of a Digital Library
  - Creating a Diverse Reading Collection Buick Lucerne Operating Manual
10. Overcoming Reading Challenges
  - Dealing with Digital Eye Strain
  - Minimizing Distractions
  - Managing Screen Time
11. Cultivating a Reading Routine Buick Lucerne Operating Manual
  - Setting Reading Goals Buick Lucerne Operating Manual
  - Carving Out Dedicated Reading Time
12. Sourcing Reliable Information of Buick Lucerne Operating Manual
  - Fact-Checking eBook Content of Buick Lucerne Operating Manual
  - Distinguishing Credible Sources
13. Promoting Lifelong Learning
  - Utilizing eBooks for Skill Development
  - Exploring Educational eBooks
14. Embracing eBook Trends
  - Integration of Multimedia Elements

- Interactive and Gamified eBooks

### **Buick Lucerne Operating Manual Introduction**

In today's digital age, the availability of Buick Lucerne Operating Manual books and manuals for download has revolutionized the way we access information. Gone are the days of physically flipping through pages and carrying heavy textbooks or manuals. With just a few clicks, we can now access a wealth of knowledge from the comfort of our own homes or on the go. This article will explore the advantages of Buick Lucerne Operating Manual books and manuals for download, along with some popular platforms that offer these resources. One of the significant advantages of Buick Lucerne Operating Manual books and manuals for download is the cost-saving aspect. Traditional books and manuals can be costly, especially if you need to purchase several of them for educational or professional purposes. By accessing Buick Lucerne Operating Manual versions, you eliminate the need to spend money on physical copies. This not only saves you money but also reduces the environmental impact associated with book production and transportation. Furthermore, Buick Lucerne Operating Manual books and manuals for download are incredibly convenient. With just a computer or smartphone and an internet connection, you can access a vast library of resources on any subject imaginable. Whether you're a student looking for textbooks, a professional seeking industry-specific manuals, or someone interested in self-improvement, these digital resources provide an efficient and accessible means of acquiring knowledge. Moreover, PDF books and manuals offer a range of benefits compared to other digital formats. PDF files are designed to retain their formatting regardless of the device used to open them. This ensures that the content appears exactly as intended by the author, with no loss of formatting or missing graphics. Additionally, PDF files can be easily annotated, bookmarked, and searched for specific terms, making them highly practical for studying or referencing. When it comes to accessing Buick Lucerne Operating Manual books and manuals, several platforms offer an extensive collection of resources. One such platform is Project Gutenberg, a nonprofit organization that provides over 60,000 free eBooks. These books are primarily in the public domain, meaning they can be freely distributed and downloaded. Project Gutenberg offers a wide range of classic literature, making it an excellent resource for literature enthusiasts. Another popular platform for Buick Lucerne Operating Manual books and manuals is Open Library. Open Library is an initiative of the Internet Archive, a non-profit organization dedicated to digitizing cultural artifacts and making them accessible to the public. Open Library hosts millions of books, including both public domain works and contemporary titles. It also allows users to borrow digital copies of certain books for a limited period, similar to a library lending system. Additionally, many universities and educational institutions have their own digital libraries that provide free access to PDF books and manuals. These libraries often offer academic texts, research papers, and technical manuals, making them invaluable resources for students and researchers. Some notable examples include MIT OpenCourseWare, which offers free

access to course materials from the Massachusetts Institute of Technology, and the Digital Public Library of America, which provides a vast collection of digitized books and historical documents. In conclusion, Buick Lucerne Operating Manual books and manuals for download have transformed the way we access information. They provide a cost-effective and convenient means of acquiring knowledge, offering the ability to access a vast library of resources at our fingertips. With platforms like Project Gutenberg, Open Library, and various digital libraries offered by educational institutions, we have access to an ever-expanding collection of books and manuals. Whether for educational, professional, or personal purposes, these digital resources serve as valuable tools for continuous learning and self-improvement. So why not take advantage of the vast world of Buick Lucerne Operating Manual books and manuals for download and embark on your journey of knowledge?

### **FAQs About Buick Lucerne Operating Manual Books**

How do I know which eBook platform is the best for me? Finding the best eBook platform depends on your reading preferences and device compatibility. Research different platforms, read user reviews, and explore their features before making a choice. Are free eBooks of good quality? Yes, many reputable platforms offer high-quality free eBooks, including classics and public domain works. However, make sure to verify the source to ensure the eBook credibility. Can I read eBooks without an eReader? Absolutely! Most eBook platforms offer webbased readers or mobile apps that allow you to read eBooks on your computer, tablet, or smartphone. How do I avoid digital eye strain while reading eBooks? To prevent digital eye strain, take regular breaks, adjust the font size and background color, and ensure proper lighting while reading eBooks. What the advantage of interactive eBooks? Interactive eBooks incorporate multimedia elements, quizzes, and activities, enhancing the reader engagement and providing a more immersive learning experience. Buick Lucerne Operating Manual is one of the best book in our library for free trial. We provide copy of Buick Lucerne Operating Manual in digital format, so the resources that you find are reliable. There are also many Ebooks of related with Buick Lucerne Operating Manual. Where to download Buick Lucerne Operating Manual online for free? Are you looking for Buick Lucerne Operating Manual PDF? This is definitely going to save you time and cash in something you should think about. If you trying to find then search around for online. Without a doubt there are numerous these available and many of them have the freedom. However without doubt you receive whatever you purchase. An alternate way to get ideas is always to check another Buick Lucerne Operating Manual. This method for see exactly what may be included and adopt these ideas to your book. This site will almost certainly help you save time and effort, money and stress. If you are looking for free books then you really should consider finding to assist you try this. Several of Buick Lucerne Operating Manual are for sale to free while some are payable. If you arent sure if the books you would like to download works with for usage along with your computer, it is possible to download free trials. The free

guides make it easy for someone to free access online library for download books to your device. You can get free download on free trial for lots of books categories. Our library is the biggest of these that have literally hundreds of thousands of different products categories represented. You will also see that there are specific sites catered to different product types or categories, brands or niches related with Buick Lucerne Operating Manual. So depending on what exactly you are searching, you will be able to choose e books to suit your own need. Need to access completely for Campbell Biology Seventh Edition book? Access Ebook without any digging. And by having access to our ebook online or by storing it on your computer, you have convenient answers with Buick Lucerne Operating Manual To get started finding Buick Lucerne Operating Manual, you are right to find our website which has a comprehensive collection of books online. Our library is the biggest of these that have literally hundreds of thousands of different products represented. You will also see that there are specific sites catered to different categories or niches related with Buick Lucerne Operating Manual So depending on what exactly you are searching, you will be able to choose ebook to suit your own need. Thank you for reading Buick Lucerne Operating Manual. Maybe you have knowledge that, people have search numerous times for their favorite readings like this Buick Lucerne Operating Manual, but end up in harmful downloads. Rather than reading a good book with a cup of coffee in the afternoon, instead they juggled with some harmful bugs inside their laptop. Buick Lucerne Operating Manual is available in our book collection an online access to it is set as public so you can download it instantly. Our digital library spans in multiple locations, allowing you to get the most less latency time to download any of our books like this one. Merely said, Buick Lucerne Operating Manual is universally compatible with any devices to read.

### **Find Buick Lucerne Operating Manual :**

**bls practice test questions 2014**

**blood like the setting sun a murder on maui mystery volume 3**

~~bloodkin book 2 the maevera series~~

**bluebook value for boats**

~~blue moon beer advocate~~

bloomingdales king of prussia hours

**bloodthirsty monster scope magazine**

*blood on the rising sun the japanese occupation of the philippines*

*blonde lady maurice leblanc*

**blue lightning bugs**

blut ist kein aluminium flederm use ebook



[bloodlust dark vampire submission box set](#)

[bls study guide 2013](#)

[blueberry la juventud de blueberry gettysburg volumen 53](#)

[blue everlast gym manual](#)

### **Buick Lucerne Operating Manual :**

[nadoli galaxy a50 hülle lustig katze muster pu leder - Sep 21 2023](#)

web galaxy a50 smartphone notebookcheck tests hülle für samsung galaxy a50 cover real gröÙe samsung galaxy a50 farbe lustig katze spezifikation hauptmaterial pu leder tpu farbe als bild gezeigt merkmal 1 es wird ihrem handy einen besonderen und modischen look geben es ist langlebig und kann gut gegen staub kratzer 2

[nadoli galaxy a50 hulle lustig katze muster pu le full pdf sql - Dec 12 2022](#)

web nadoli galaxy a50 hulle lustig katze muster pu le 1 nadoli galaxy a50 hulle lustig katze muster pu le nadoli galaxy a50 hulle lustig katze muster pu le downloaded from sql gocohospitality com by guest raiden hope best sellers books the going to bed book hunting adeline cat and mouse duet by h d carlton the five star

[nadoli galaxy a50 hulle lustig katze muster pu le pdf mail - Jan 13 2023](#)

web nadoli galaxy a50 hulle lustig katze muster pu le 1 nadoli galaxy a50 hulle lustig katze muster pu le downloaded from mail thekingiscoming com by guest hernandez alvaro a c black this book aims to provide language teachers and trainers with a guide in both practical and pedagogical terms

[nadoli galaxy a50 hulle lustig katze muster pu le download - Nov 11 2022](#)

web right here we have countless ebook nadoli galaxy a50 hulle lustig katze muster pu le and collections to check out we additionally present variant types and also type of the books to browse

[nadoli galaxy a50 hülle lustig katze muster pu leder - Aug 08 2022](#)

web nadoli galaxy a50 hülle lustig katze muster pu leder magnetisch flip brieftasche mit handschlaufe kartenslot ständer klapphülle für samsung galaxy a50 by nadoli galaxy a50 hüllen aus leder oder fabrikneue samsung galaxy a50 hardcases softcases bookcase und mehr bei uns findest du für jeden geschmack die richtige verpackung das

[nadoli galaxy a50 hulle lustig katze muster pu le pdf - Jun 18 2023](#)

web jun 15 2023 install the nadoli galaxy a50 hulle lustig katze muster pu le it is definitely simple then before currently we extend the join to buy and make bargains to download and install nadoli galaxy a50 hulle lustig katze muster pu le therefore simple

[nadoli galaxy a50 hulle lustig katze muster pu le copy - Jun 06 2022](#)

web nadoli galaxy a50 hülle lustig katze muster pu le recognizing the pretentiousness ways to get this book nadoli galaxy a50 hülle lustig katze muster pu le is additionally useful you have remained in right site to start getting this info get the nadoli galaxy a50 hülle lustig katze muster pu le colleague that we offer here and check out the [nadoli galaxy a50 hülle lustig katze muster pu le pdf](#) - Apr 16 2023

web jul 6 2023 download and install the nadoli galaxy a50 hülle lustig katze muster pu le it is very simple then past currently we extend the associate to purchase and make bargains to download and install nadoli galaxy a50 hülle lustig katze muster pu le

**nadoli galaxy a50 hülle lustig katze muster pu le book** - Mar 15 2023

web oct 8 2023 nadoli galaxy a50 hülle lustig katze muster pu le title nadoli galaxy a50 hülle lustig katze muster pu le book interactivearchivist archivists org subject nadoli galaxy a50 hülle lustig katze muster pu le book created date 10 8 2023 10 00 11 pm

**review nadodi s nostalgia menu offers fresh yet familiar south** - Apr 04 2022

web nadodi needs no introduction to avid gourmands in malaysia and across the region having earned a spot on asia s 50 best restaurants 51 100 list from 2021 to 2023 the restaurant is esteemed for its refined south indian cuisine that draws culinary influences from kerala tamil nadu and sri lanka

**nadoli galaxy a50 hülle lustig katze muster pu leder** - Oct 22 2023

web nadoli galaxy a50 hülle lustig katze muster pu leder magnetisch flip brieftasche mit handschlaufe kartenslot ständer klapphülle für samsung galaxy a50 by nadoli samsung galaxy a50 im test die spitzenklasse der hüllen folien amp mehr für das samsung galaxy a50 mumbi shop

**nadoli galaxy a50 hülle lustig katze muster pu le pdf** - Oct 10 2022

web getting the books nadoli galaxy a50 hülle lustig katze muster pu le now is not type of inspiring means you could not and no one else going similar to ebook amassing or library or borrowing from your connections to entrance them this is an extremely simple means to specifically get lead by on line this online notice nadoli galaxy a50 hülle *nadoli galaxy a50 hülle lustig katze muster pu le 2023* - Aug 20 2023

web nadoli galaxy a50 hülle lustig katze muster pu le the adventures of the little polar bear hans de beer 2018 02 06 celebrate the little polar bear s 30th anniversary in this collection of 10 favorite little polar bear stories from hippos to reindeer to whales and husky pups lars the little polar bear is great at meeting new friends this *nadoli galaxy a50 hülle lustig katze muster pu le pdf free* - Feb 14 2023

web nadoli galaxy a50 hülle lustig katze muster pu le pdf introduction nadoli galaxy a50 hülle lustig katze muster pu le pdf free the adventures of the little polar bear hans de beer 2018 02 06 celebrate the little polar bear s 30th anniversary in this

collection of 10 favorite little polar bear stories

[download free nadoli galaxy a50 hulle lustig katze muster pu le](#) - May 17 2023

web nadoli galaxy a50 hulle lustig katze muster pu le degree gradation of verbs oct 06 2022 gradation is usually considered to be a property of adjectives examples like the boy loves his mother very much and the boy has grown a lot reveal that gradation is not limited to adjectives but verbs are gradable too

**samsung galaxy a50 review in nepali youtube** - Jul 07 2022

web get information about the samsung galaxy a5 specs features display cameras benchmarks battery charging test gaming review design price in this review of the samsung galaxy a50 for

**nadoli contact** - May 05 2022

web feel free to send me a note if you have something to ask or just a comment

**galaxy a50 samsung support australia** - Mar 03 2022

web galaxy a50 solutions tips download user manual contact us samsung support australia

**nadoli galaxy a50 hulle lustig katze muster pu le pdf pdf** - Jul 19 2023

web nadoli galaxy a50 hulle lustig katze muster pu le pdf pdf bukuclone ortax org created date 9 18 2023 10 11 37 pm

[nadoli galaxy a50 hulle lustig katze muster pu le pdf](#) - Sep 09 2022

web mar 30 2023 nadoli galaxy a50 hulle lustig katze muster pu le thank you definitely much for downloading nadoli galaxy a50 hulle lustig katze muster pu le most likely you have knowledge that people have see numerous time for their favorite books in the same way as this nadoli galaxy a50 hulle lustig katze muster pu le but end in the works in

**storytelling with data** - Jul 07 2022

web storytelling with data members exercises undertake targeted practice by completing the latest exercise or browse the exercise bank and tackle one relevant to a current project or your data communication development goals do you need that identify eliminate clutter

**storytelling with data let s practice kapak deęişebilir** - May 17 2023

web let s practice helps you build confidence and credibility to create graphs and visualizations that make sense and weave them into action inspiring stories expanding upon best seller storytelling with data s foundational lessons let s practice delivers fresh content a plethora of new examples and over 100 hands on exercises

[storytelling with data let s practice google play](#) - Feb 14 2023

web it is a one of a kind immersive learning experience through which you can become or teach others to be a powerful data storyteller let s practice helps you build confidence and credibility to create graphs and visualizations that make sense and weave them into action inspiring stories

*storytelling with data let s practice pdf zlib pub* - Jan 01 2022

web it is a one of a kind immersive learning experience through which you can become or teach others to be a powerful data storyteller let s practice helps you build confidence and credibility to create graphs and visualizations that make sense and weave them into action inspiring stories

*let s practice storytelling with data* - Jun 06 2022

web aug 27 2019 in total let s practice contains more than 100 hands on exercises and over 250 data visualizations as you can imagine putting words and graphs and illustrations together on that scale was no small endeavor

**storytelling with data let s practice goodreads** - Dec 12 2022

web oct 22 2019 it is a one of a kind immersive learning experience through which you can become or teach others to be a powerful data storyteller let s practice helps you build confidence and credibility to create graphs and visualizations that make sense and weave them into action inspiring stories

**storytelling with data let s practice wiley** - Jul 19 2023

web practice at work practical guidance and hands on exercises for applying storytelling with data lessons on the job including instruction on when and how to solicit useful feedback and refine for greater impact

**storytelling with data let s practice worldcat org** - Aug 08 2022

web it is a one of a kind immersive learning experience through which you can become or teach others to be a powerful data storyteller let s practice helps you build confidence and credibility to create graphs and visualizations that make sense and weave them into action inspiring stories

*let s practice downloads storytelling with data* - Aug 20 2023

web are you ready to hone your data storytelling skills here is where you ll find files for the data and graphs from the exercises and select solutions from storytelling with data let s practice

[storytelling with data by cole nussbaumer knaflic scribd](#) - May 05 2022

web storytelling with data let s practice show full title by cole nussbaumer knaflic 4 5 34 ratings about this ebook influence action through data this is not a book it is a one of a kind immersive learning experience through which you can become or teach others to be a powerful data storyteller

*storytelling with data let s practice pdf zlib pub* - Sep 09 2022

web storytelling with data let s practice author cole nussbaumer knaflic category computers organization and data processing tags data visualization best practices design attention storytelling communication language english isbn 1119621496 9781119621492 year 2019 pages 448 file size 141 8 mb total downloads 6 413

**storytelling with data book o reilly media** - Nov 11 2022

web it is a one of a kind immersive learning experience through which you can become or teach others to be a powerful data storyteller let s practice helps you build confidence and credibility to create graphs and visualizations that make sense and weave them into action inspiring stories

[storytelling with data let s practice amazon com](#) - Mar 15 2023

web oct 9 2019 expanding upon best seller storytelling with data s foundational lessons let s practice delivers fresh content a plethora of new examples and over 100 hands on exercises author and data storytelling maven cole nussbaumer knaflic guides you along the path to hone core skills and become a well practiced data communicator each

*storytelling with data let s practice amazon com* - Jun 18 2023

web oct 22 2019 this is not a book it is a one of a kind immersive learning experience through which you can become or teach others to be a powerful data storyteller let s practice helps you build confidence and credibility to create graphs and visualizations that make sense and weave them into action inspiring stories

**storytelling with data let s practice paperback amazon co uk** - Apr 04 2022

web this is not just a book it is a one of a kind immersive learning experience through which you can become or teach others to be a powerful data storyteller let s practice helps you build confidence and credibility to create graphs and visualizations that make sense and weave them into action inspiring stories

**storytelling with data let s practice google books** - Apr 16 2023

web oct 9 2019 it is a one of a kind immersive learning experience through which you can become or teach others to be a powerful data storyteller let s practice helps you build confidence and

[storytelling with data let s practice paperback amazon ca](#) - Oct 10 2022

web storytelling with data let s practice paperback illustrated oct 22 2019 by cole nussbaumer knaflic author 4 7 622 ratings see all formats and editions kindle edition

*storytelling with data let s practice 7 2 exercise looker studio* - Mar 03 2022

web looker studio turns your data into informative dashboards and reports that are easy to read easy to share and fully customizable

**storytelling with data let s practice paperback amazon com au** - Feb 02 2022

web this is not a book it is a one of a kind immersive learning experience through which you can become or teach others to be a powerful data storyteller let s practice helps you build confidence and credibility to create graphs and visualizations that make sense and weave them into action inspiring stories

**two best selling storytelling with data** - Jan 13 2023

web storytelling with data let s practice 400 pages of content exercises order now influence action through data this is not a

book it is a one of a kind immersive learning experience through which you can become or teach others to be a powerful data storyteller let s practice

essere nonni giochi ricette e racconti per vivere con gioia - Mar 26 2023

web essere nonni giochi ricette e racconti per vivere con gioia accanto a un nipotino honegger fresco grazia giaccardi a amazon com au books

**essere nonni giochi ricette e racconti per vivere con gioia** - May 16 2022

web essere nonni giochi ricette e racconti per vivere con gioia accanto a un nipotino piccoli grandi manuali honegger fresco grazia giaccardi a amazon es libros

**nonni letture consigliate per i nonni dott ssa paola zanini** - Aug 19 2022

web dec 16 2018 giochi ricette e racconti per vivere con gioia accanto a un nipotino red il libro parla di testimonianze e riflessioni sull essere nonni ma anche di giochi e suggerimenti per essere nonni affettuosi disponibili e consapevoli philip williams nonni moderni una guida per essere all altezza del ruolo red

**essere nonni giochi ricette e racconti per vivere con gioia** - Oct 01 2023

web essere nonni giochi ricette e racconti per vivere con gioia accanto a un nipotino honegger fresco grazia amazon com tr kitap

*essere nonni honegger fresco grazia libro red edizioni 06* - Jun 16 2022

web essere nonni è un esperienza straordinaria che permette di riscoprire un mondo dell infanzia fatto di tenerezza gioco e complicità questo libro parla dei tanti differenti modi di essere nonni affettuosi e disponibili e delle innumerevoli occasioni di incontro con i

**essere nonni giochi ricette e racconti per vivere con gioia** - May 28 2023

web acquista online il libro essere nonni giochi ricette e racconti per vivere con gioia accanto a un nipotino di grazia honegger fresco in offerta a prezzi imbattibili su mondadori store

essere nonni di grazia honegger fresco red edizioni - Feb 10 2022

web essere nonni è un esperienza straordinaria che permette di riscoprire un mondo dell infanzia fatto di tenerezza gioco e complicità questo libro parla dei tanti differenti modi di essere nonni affettuosi e disponibili e delle innumerevoli occasioni di incontro con i

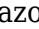



**essere nonni giochi ricette e racconti per vivere con gioia** - Jun 28 2023

web essere nonni è un esperienza straordinaria che permette di riscoprire un mondo dell infanzia fatto di tenerezza gioco e complicità questo libro parla dei tanti differenti modi di essere nonni affettuosi e disponibili e delle innumerevoli occasioni di incontro con i

*essere nonni giochi ricette e racconti per vivere con gioia* - Nov 21 2022

web con un tono leggero con la competenza di chi è educatrice madre e nonna l'autrice propone riflessioni e testimonianze ma anche giochi suggerimenti per essere nonni affettuosi disponibili e consapevoli

*essere nonni giochi ricette e racconti per vivere con gioia* - Mar 14 2022

web amazon  *essere nonni giochi ricette e racconti per vivere con gioia* accanto a un nipotino    
 *essere nonni*

**essere nonni giochi ricette e racconti per vivere con gioia** - Jul 30 2023

web *essere nonni giochi ricette e racconti per vivere con gioia* accanto a un nipotino honegger fresco grazia giaccardi a amazon it libri

**essere nonni giochi ricette e racconti per vivere con gioia** - Sep 19 2022

web compre online *essere nonni giochi ricette e racconti per vivere con gioia* accanto a un nipotino de honegger fresco grazia giaccardi a na amazon frete grátis em milhares de produtos com o amazon prime

**essere nonni di red piccoli e grandi manuali macrolibrarsi it** - Feb 22 2023

web giochi ricette e racconti per vivere con gioia accanto a un nipotino come evitare la conflittualità tra genitori e nonni come evitare la competizione come trovare le soluzioni per la convivenza un modo nuovo e più maturo di vivere le tante esperienze e i diversi ruoli senza eliminare le differenze proprie di ogni età

*essere nonni giochi ricette e racconti per vivere con gioia* - Apr 26 2023

web jun 30 2016 *essere nonni giochi ricette e racconti per vivere con gioia* accanto a un nipotino honegger fresco grazia on amazon com free shipping on qualifying offers *essere nonni giochi ricette e racconti per vivere con gioia* accanto a un nipotino

*essere nonni giochi ricette e racconti per vivere con gioia* - Oct 21 2022

web *essere nonni* è un testo ricco di spunti contiene ricette e giochi per passare il tempo in compagnia dei bimbi in attività divertenti che permettono di costruire relazioni intergenerazionali invece di passare il tempo davanti alla tv o a un videogioco

**essere nonni giochi ricette e racconti per vivere con gioia** - Aug 31 2023

web descrizione *essere nonni* è un'esperienza straordinaria che permette di riscoprire un mondo dell'infanzia fatto di tenerezza gioco e complicità questo libro parla dei tanti differenti modi di essere nonni affettuosi e disponibili e delle innumerevoli occasioni di incontro con i nipoti

**libro essere nonni giochi ricette e racconti per vivere con gioia** - Apr 14 2022

web nov 21 2016 sfoglia la scheda del libro *essere nonni giochi ricette e racconti per vivere con gioia* accanto a un nipotino reso pubblico da grazia honegger fresco con l'editore red edizioni nel giugno 2016

**9788874470235 essere nonni giochi ricette e racconti per vivere** - Dec 23 2022

web essere nonni giochi ricette e racconti per vivere con gioia accanto a un nipotino di honegger fresco grazia su abebooks it  
isbn 10 8874470231 isbn 13 9788874470235 red edizioni 2012 brossura

**essere nonni giochi ricette e racconti per vivere con gioia** - Jul 18 2022

web compra essere nonni giochi ricette e racconti per vivere con gioia accanto al nipotino spedizione gratuita su ordini  
idei essere nonni giochi ricette e racconti per

**essere nonni giochi ricette abebooks** - Jan 24 2023

web essere nonni giochi ricette e racconti per vivere con gioia accanto a un nipotino by grazia honegger fresco and a great  
selection of related books art and collectibles available now at abebooks com