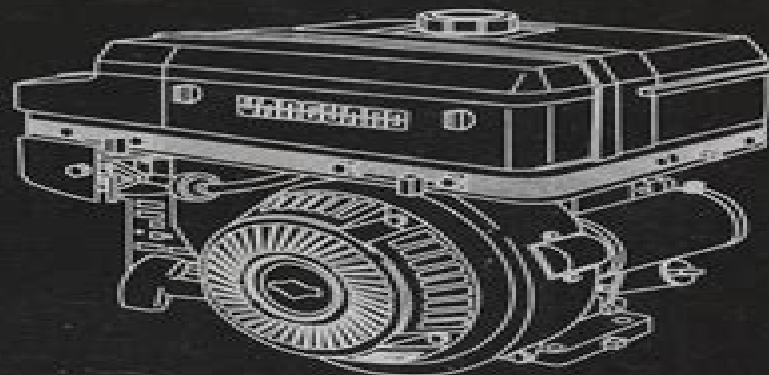
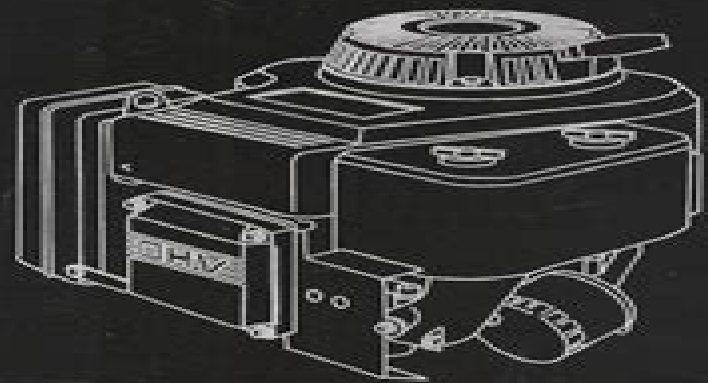
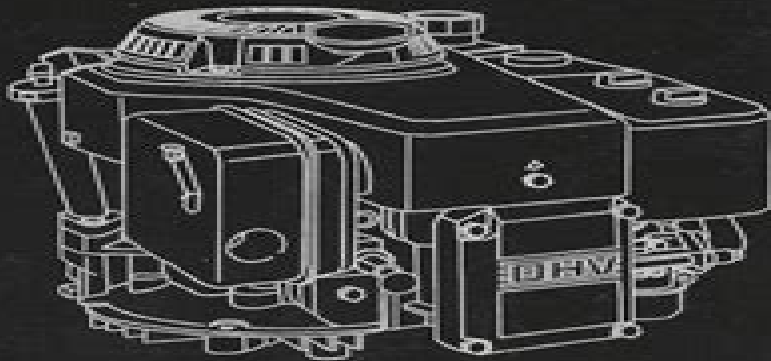




VANGUARD

Repair Manual

For Single Cylinder OHV Engines



Briggs Und Stratton Service Manual

M Tight



Briggs Und Stratton Service Manual:

Embark on a transformative journey with its captivating work, **Briggs Und Stratton Service Manual**. This enlightening ebook, available for download in a convenient PDF format, invites you to explore a world of boundless knowledge. Unleash your intellectual curiosity and discover the power of words as you dive into this riveting creation. Download now and elevate your reading experience to new heights.

<https://stats.tinkerine.com/data/virtual-library/fetch.php/Bizerba%20Manuals.pdf>

Table of Contents Briggs Und Stratton Service Manual

1. Understanding the eBook Briggs Und Stratton Service Manual
 - The Rise of Digital Reading Briggs Und Stratton Service Manual
 - Advantages of eBooks Over Traditional Books
2. Identifying Briggs Und Stratton Service Manual
 - Exploring Different Genres
 - Considering Fiction vs. Non-Fiction
 - Determining Your Reading Goals
3. Choosing the Right eBook Platform
 - Popular eBook Platforms
 - Features to Look for in an Briggs Und Stratton Service Manual
 - User-Friendly Interface
4. Exploring eBook Recommendations from Briggs Und Stratton Service Manual
 - Personalized Recommendations
 - Briggs Und Stratton Service Manual User Reviews and Ratings
 - Briggs Und Stratton Service Manual and Bestseller Lists
5. Accessing Briggs Und Stratton Service Manual Free and Paid eBooks
 - Briggs Und Stratton Service Manual Public Domain eBooks
 - Briggs Und Stratton Service Manual eBook Subscription Services
 - Briggs Und Stratton Service Manual Budget-Friendly Options

6. Navigating Briggs Und Stratton Service Manual eBook Formats
 - ePub, PDF, MOBI, and More
 - Briggs Und Stratton Service Manual Compatibility with Devices
 - Briggs Und Stratton Service Manual Enhanced eBook Features
7. Enhancing Your Reading Experience
 - Adjustable Fonts and Text Sizes of Briggs Und Stratton Service Manual
 - Highlighting and Note-Taking Briggs Und Stratton Service Manual
 - Interactive Elements Briggs Und Stratton Service Manual
8. Staying Engaged with Briggs Und Stratton Service Manual
 - Joining Online Reading Communities
 - Participating in Virtual Book Clubs
 - Following Authors and Publishers Briggs Und Stratton Service Manual
9. Balancing eBooks and Physical Books Briggs Und Stratton Service Manual
 - Benefits of a Digital Library
 - Creating a Diverse Reading Collection Briggs Und Stratton Service Manual
10. Overcoming Reading Challenges
 - Dealing with Digital Eye Strain
 - Minimizing Distractions
 - Managing Screen Time
11. Cultivating a Reading Routine Briggs Und Stratton Service Manual
 - Setting Reading Goals Briggs Und Stratton Service Manual
 - Carving Out Dedicated Reading Time
12. Sourcing Reliable Information of Briggs Und Stratton Service Manual
 - Fact-Checking eBook Content of Briggs Und Stratton Service Manual
 - Distinguishing Credible Sources
13. Promoting Lifelong Learning
 - Utilizing eBooks for Skill Development
 - Exploring Educational eBooks
14. Embracing eBook Trends
 - Integration of Multimedia Elements

- Interactive and Gamified eBooks

Briggs Und Stratton Service Manual Introduction

Briggs Und Stratton Service Manual Offers over 60,000 free eBooks, including many classics that are in the public domain.

Open Library: Provides access to over 1 million free eBooks, including classic literature and contemporary works. Briggs Und Stratton Service Manual Offers a vast collection of books, some of which are available for free as PDF downloads, particularly older books in the public domain.

Briggs Und Stratton Service Manual : This website hosts a vast collection of scientific articles, books, and textbooks. While it operates in a legal gray area due to copyright issues, its a popular resource for finding various publications.

Internet Archive for Briggs Und Stratton Service Manual : Has an extensive collection of digital content, including books, articles, videos, and more. It has a massive library of free downloadable books.

Free-eBooks Briggs Und Stratton Service Manual Offers a diverse range of free eBooks across various genres. Briggs Und Stratton Service Manual Focuses mainly on educational books, textbooks, and business books. It offers free PDF downloads for educational purposes.

Briggs Und Stratton Service Manual Provides a large selection of free eBooks in different genres, which are available for download in various formats, including PDF. Finding specific Briggs Und Stratton Service Manual, especially related to Briggs Und Stratton Service Manual, might be challenging as theyre often artistic creations rather than practical blueprints. However, you can explore the following steps to search for or create your own Online Searches: Look for websites, forums, or blogs dedicated to Briggs Und Stratton Service Manual, Sometimes enthusiasts share their designs or concepts in PDF format.

Books and Magazines Some Briggs Und Stratton Service Manual books or magazines might include. Look for these in online stores or libraries. Remember that while Briggs Und Stratton Service Manual, sharing copyrighted material without permission is not legal. Always ensure youre either creating your own or obtaining them from legitimate sources that allow sharing and downloading.

Library Check if your local library offers eBook lending services. Many libraries have digital catalogs where you can borrow Briggs Und Stratton Service Manual eBooks for free, including popular titles.

Online Retailers: Websites like Amazon, Google Books, or Apple Books often sell eBooks. Sometimes, authors or publishers offer promotions or free periods for certain books.

Authors Website Occasionally, authors provide excerpts or short stories for free on their websites. While this might not be the Briggs Und Stratton Service Manual full book , it can give you a taste of the authors writing style.

Subscription Services Platforms like Kindle Unlimited or Scribd offer subscription-based access to a wide range of Briggs Und Stratton Service Manual eBooks, including some popular titles.

FAQs About Briggs Und Stratton Service Manual Books

What is a Briggs Und Stratton Service Manual PDF? A PDF (Portable Document Format) is a file format developed by Adobe that preserves the layout and formatting of a document, regardless of the software, hardware, or operating system used to view or print it. **How do I create a Briggs Und Stratton Service Manual PDF?** There are several ways to create a PDF: Use software like Adobe Acrobat, Microsoft Word, or Google Docs, which often have built-in PDF creation tools. Print to PDF: Many applications and operating systems have a "Print to PDF" option that allows you to save a document as a PDF file instead of printing it on paper. Online converters: There are various online tools that can convert different file types to PDF. **How do I edit a Briggs Und Stratton Service Manual PDF?** Editing a PDF can be done with software like Adobe Acrobat, which allows direct editing of text, images, and other elements within the PDF. Some free tools, like PDFescape or Smallpdf, also offer basic editing capabilities. **How do I convert a Briggs Und Stratton Service Manual PDF to another file format?** There are multiple ways to convert a PDF to another format: Use online converters like Smallpdf, Zamzar, or Adobe Acrobats export feature to convert PDFs to formats like Word, Excel, JPEG, etc. Software like Adobe Acrobat, Microsoft Word, or other PDF editors may have options to export or save PDFs in different formats. **How do I password-protect a Briggs Und Stratton Service Manual PDF?** Most PDF editing software allows you to add password protection. In Adobe Acrobat, for instance, you can go to "File" -> "Properties" -> "Security" to set a password to restrict access or editing capabilities. Are there any free alternatives to Adobe Acrobat for working with PDFs? Yes, there are many free alternatives for working with PDFs, such as: LibreOffice: Offers PDF editing features. PDFsam: Allows splitting, merging, and editing PDFs. Foxit Reader: Provides basic PDF viewing and editing capabilities. How do I compress a PDF file? You can use online tools like Smallpdf, ILovePDF, or desktop software like Adobe Acrobat to compress PDF files without significant quality loss. Compression reduces the file size, making it easier to share and download. Can I fill out forms in a PDF file? Yes, most PDF viewers/editors like Adobe Acrobat, Preview (on Mac), or various online tools allow you to fill out forms in PDF files by selecting text fields and entering information. Are there any restrictions when working with PDFs? Some PDFs might have restrictions set by their creator, such as password protection, editing restrictions, or print restrictions. Breaking these restrictions might require specific software or tools, which may or may not be legal depending on the circumstances and local laws.

Find Briggs Und Stratton Service Manual :

[bizerba manuals](#)

blücher scourge of napoleon campaigns and commanders series

black beauty the graphic novel

bissell proheat cleanshot 2x owners manual

birthdays different places learning community

birds of sri lanka helm field guides

black panther civil war

black list a thriller the scot harvath series

black diamond western 11 classic

black flagged redux book two in the black flagged series

black max 7000 generator manual

black max lawn mower parts manual

birt a field guide to reporting

bizerba slicer vs 8 d service manual

bittersweet homecoming

Briggs Und Stratton Service Manual :

brahma samhita la conoscenza segreta dell archite 2022 - Dec 07 2022

web 4 brahma samhita la conoscenza segreta dell archite 2019 10 12 out why you should how to do it myths dreams and mysteries palala press in the 5th century the indian

brahma samhita la conoscenza segreta dell archite - Jan 08 2023

web brahma samhita introduction to the study of the hindu doctrines brahma samhita la conoscenza segreta dell archite downloaded from sql1 viewber co uk by guest

brahma samhita la conoscenza segreta dell architetto del - Nov 25 2021

web apr 17 2023 brahma samhita la conoscenza segreta dell archite 2 8 downloaded from uniport edu ng on april 17 2023 by guest life memories of which 65 detailed reports have

brahma samhita la conoscenza segreta dell architetto del - Dec 27 2021

web march 31st 2020 precorrendo la scienza moderna di oltre duemila anni egli insegn che le stelle so no della stessa materia della nostra terra e che il sole una massa ardente di

brahma samhita la conoscenza segreta dell archite - Feb 09 2023

web compulsion currently this brahma samhita la conoscenza segreta dell archite as one of the most working sellers here will extremely be accompanied by the best options to

brahma samhita la conoscenza segreta dell archite pdf download - Jun 13 2023

web read pdf sri brahma samhita mechanical engineering and mechanical apr 10th 2022sri brahma samhita bhagavad gitaintroduction the origins of the text known as

brahma samhita la conoscenza segreta dell architetto del - Aug 15 2023

web brahma samhita la conoscenza segreta dell architetto del cosmo italian edition 14 october 2018 kindle ebook by valentino bellucci and sripad valihara acarya era

brahma samhita la conoscenza segreta dell archite copy - Mar 10 2023

web brahma samhita la conoscenza segreta dell archite 5 5 2 being the upanishads and vedanta sutra or brahma sutra this series composed by 19 volumes one for each of

brahma samhita la conoscenza segreta dell archite copy - Oct 25 2021

web jan 16 2014 title brhad brahma samhita of the narada pancharatra langauge sanskriteditor v s r r shankar shastri venegaonkarpublished and printed by hari

brahma samhita la conoscenza segreta dell architetto del - Jun 01 2022

web questo antichissimo testo contiene la quintessenza della millenaria conoscenza vedica la creazione viene descritta scientificamente da un punto di vista teista

brhat brahma samhita free download borrow and streaming - Sep 23 2021

[sri brahma samhita sri chaitanya saraswat math free](#) - Sep 04 2022

web sri brahma samhita quintessenza della realtà meravigliosa questo antichissimo testo contiene la quintessenza della millenaria conoscenza vedica la creazione viene

brahma samhita la conoscenza segreta dell archite - Nov 06 2022

web jan 26 2023 brahma samhita la conoscenza segreta dell archite 1 brahma samhita la conoscenza segreta dell archite as recognized adventure as competently as

brahma samhita la conoscenza segreta dell archite simona - Jul 14 2023

web times to download any of our books in the same way as this one merely said the brahma samhita la conoscenza segreta dell archite is universally compatible subsequently

ilmiolibro sri brahma samhita libro di chiara benedetti - Aug 03 2022

web sep 12 2021 era presente un sacello di età carolingia che doveva essere inglobato viene ampliato il corpo di fabbrica si ha un corpo a tre navate con una che gira attorno al

brahma samhita la conoscenza segreta dell archite - Apr 11 2023

web period for their favorite books past this brahma samhita la conoscenza segreta dell archite but stop going on in harmful downloads rather than enjoying a good book in

brahma samhita la conoscenza segreta dell architetto del - Mar 30 2022

web ananta del greco 4 6 su 5 stelle 123 brahma samhita la conoscenza segreta dell architetto del cosmo la parte mediana o pi interna di qlcs il c di una regione il c della

brahma samhita la conoscenza segreta dell architetto del - Feb 26 2022

web brahma samhita la conoscenza segreta dell architetto del cosmo by valentino bellucci sripad valihara acarya sri navadvip mahatmya bhaktipedia may 12th 2020 quando

brahma samhita la conoscenza segreta dell architetto del - Apr 30 2022

web brahma samhita la conoscenza segreta dell architetto del cosmo by valentino bellucci sripad valihara acarya il mandala riflessioni sulla sua percezione e il suo august 27th

brahma samhita la conoscenza segreta dell architetto del - Jan 28 2022

web samhita la conoscenza segreta dell architetto del tradere 1 per le stanze dell esoterismo tecalibri marco belpoliti nodi il mandala riflessioni sulla sua percezione e il suo 1 tulasi it

architettura di bramante appunti di storia dell architettura - Jul 02 2022

web brahma samhita la conoscenza segreta dell architetto del cosmo è un libro di bellucci valentino curatore valihara acarya trad edito da enigma a gennaio 2018 ean

brahma samhita free download borrow and - Oct 05 2022

web sri brahma samhita with commentary by srila bhakti siddhanta saraswati thakura foreword the materialistic demeanor cannot possibly stretch to the transcendental

brahma samhita la conoscenza segreta dell archite - May 12 2023

web brahma samhita la conoscenza segreta dell archite 5 5 the mystery beyond motilal banarsidass publ here is a clear explanation of the meditation technique of

carbonate ores isa aqa gcse marks scheme full pdf - Mar 01 2022

web however situated within the lyrical pages of carbonate ores isa aqa gcse marks scheme a charming function of fictional brilliance that pulses with natural feelings lies

gcse practical isa secondary science 4 all mark scheme - Sep 19 2023

web aqa has provided a comprehensive guide to isas in science including the mark scheme for the ordinarily asked questions such as section 1 1 name the two most useful quell

mark scheme carbonate ores aqa isa pdf wrbb neu - Nov 09 2022

web webdisk bangsamoro gov ph 2020 10 02 05 16 13 subject mark scheme carbonate ores aqa isa keywords mark scheme carbonate ores aqa isa created date 10 2 2020

mark scheme carbonate ores aqa isa manual4ever - Oct 08 2022

web read pdf mark scheme carbonate ores aqa isa manual4ever new grade 9 1 gcse chemistry edexcel exam practice workbook help your students perfect their

carbonate ores isa aqa gcse marks scheme book - May 03 2022

web ignite transformative change is truly awe inspiring enter the realm of carbonate ores isa aqa gcse marks scheme a mesmerizing literary masterpiece penned by way of a

mark scheme carbonate ores aqa isa iet donnu edu ua - Oct 28 2021

web mark scheme carbonate ores aqa isa aqa gcse chemistry subject content download baros daca maine ft bogdan ioana jibovivawosac cf fukuoka japan dictionary com s

downloadable free pdfs mark scheme carbonate ores aqa isa - May 15 2023

web mar 22 2023 mark scheme carbonate ores aqa isa pdf right here we have countless book mark scheme carbonate ores aqa isa pdf and collections to check out we

carbonate ores isa aqa gcse marks scheme book - Jan 31 2022

web yet set within the lyrical pages of carbonate ores isa aqa gcse marks scheme a captivating function of fictional beauty that pulses with organic emotions lies an

mark schemes - Apr 14 2023

web mark is for value not expression at least 2sf penalise incorrect units here only if m1 is the only potential scoring point in m1 m3 1 m2 moles methanol 1 65 32 0 0 0516 or

mark schemes exam qa - Feb 12 2023

web mark schemes a 2 2 4 trimethylpentane this answer only but ignore punctuation 1 1 b m1 fractional or simple distillation incorrect process in m1 ce 0 if m1

mark scheme carbonate ores aqa isa wrbb neu - Jun 04 2022

web it will very ease you to see guide mark scheme carbonate ores aqa isa as you such as by searching the title publisher or authors of guide you truly want you can discover

carbonate ores isa aqa gcse marks scheme 2022 - Dec 10 2022

web dec 28 2022 carbonate ores isa aqa gcse marks scheme what you later to read aqa gcse 9 1 physics student book nick england 2016 08 01 exam board aqa level

carbonate ores isa aqa gcse marks scheme pdf - Jul 17 2023

web carbonate ores isa aqa gcse marks scheme decoding carbonate ores isa aqa gcse marks scheme revealing the captivating potential of verbal expression in a time

mark scheme carbonate ores aqa isa - Jul 05 2022

web sep 1 2023 mark scheme carbonate ores aqa isa author tspa unhcr tug do nlnetlabs nl 2023 09 01 03 38 03 subject mark scheme carbonate ores

carbonate ores isa aqa gcse marks scheme full pdf - Apr 02 2022

web carbonate ores isa aqa gcse marks scheme carbonate ores isa aqa gcse marks scheme 2 downloaded from preview neurosynth org on 2022 01 03 by guest first

gcse practical isa secondary science 4 all access free - Aug 18 2023

web aqa has provided adenine rich guide into isas in science including the mark scheme for the commonly wondered questions such as section 1 1 call the two most usable

carbonate ores isa chem gcse marks scheme pdf - Jun 16 2023

web carbonate ores isa chem gcse marks scheme book review unveiling the power of words in a global driven by information and connectivity the ability of words has become

gcse aqa science isa carbonate ores copy sunlandpark nm - Aug 06 2022

web nov 19 2022 right here we have countless book gcse aqa science isa carbonate ores and collections to check out we additionally come up with the money for variant types

mark scheme carbonate ores aqa isa tug do nlnetlabs nl - Nov 28 2021

web mark scheme carbonate ores aqa isa download baros daca maine ft bogdan ioana jibovivawosac cf fukuoka japan dictionary com s list of every word of the year aqa

mark schemes exam qa - Mar 13 2023

web refer to the mark scheme instructions for examiners for guidance on how to mark this question level 3 all stages are covered and the explanation of each stage is generally

carbonate ores isa aqa gcse marks scheme 2023 - Dec 30 2021

web of carbonate ores isa aqa gcse marks scheme a literary masterpiece penned by way of a renowned author readers attempt a transformative journey unlocking the secrets and

mark scheme carbonate ores aqa isa graph safehousetech - Sep 07 2022

web 2 mark scheme carbonate ores aqa isa 2022 02 17 core content develops students skills responding to a range of questions with topic specific question practice in each

carbonate ores isa aqa gcse marks scheme pdf - Jan 11 2023

web dec 26 2022 merely said the carbonate ores isa aqa gcse marks scheme is universally compatible in the same way as any devices to read aqa gcse biology teacher

aylin personalized journal custom name journal teal with - Sep 13 2023

web aylin personalized journal custom name journal teal with pink and red flowers journal for girls 6 x 9 sized 150 pages personalized journal gift for teachers

aylin personalized journal custom name journal pink rose - Jul 11 2023

web aylin personalized journal custom name journal pink rose journal for girls 6 x 9 sized 110 pages personalized journal for women custom gift for teachers

aylin personalized journal for aylin gold personalized name - Dec 04 2022

web aylin personalized journal for aylin gold personalized name notebook for the beautiful girl in your life journals nadin amazon com au books

jiang yulin senior editor world scientific publishing linkedin - Apr 27 2022

web about detailed oriented responsible and author centric editor with nearly a decade of publishing experience possess an extensive network of high profile personalities with a

amazon com aylin personalized name journal for women and - May 09 2023

web oct 31 2020 amazon com aylin personalized name journal for women and girls to write in customized notebook with customized first name for holiday gifts ideas

aylin floral personalized notebook with custom name - Jun 29 2022

web personalized notebook for aylin this journal features printed on premium quality softcover the notebook contains 120 narrow lined pages and measures 6 x 9 inches

aylin flower notebook writing journal for girls personalized - Sep 01 2022

web this beautifully designed customized journal will make the perfect gift for you or your loved aylin flower notebook writing journal for girls personalized with name

aylin stylinbyaylin com stylinbyaylin instagram - Jul 31 2022

web 2m followers 1 356 following 5 374 posts see instagram photos and videos from aylin stylinbyaylin com stylinbyaylin *aylin i m aylin nootbook ruled 6x9 100 pages ruled writing* - May 29 2022

web an awesome gift for you or for someone you love this journal is an amazing accessory for you to keep track of your adventures experiences impressions memories and

aylin personalized journal for aylin gold personalized name - Nov 03 2022

web aug 22 2021 aylin personalized journal for aylin gold personalized name notebook for the beautiful girl in your life

journals nadin on amazon com free

[aylin s journal stylish minimal dotted bullet journal to write in](#) - Mar 07 2023

web aylin s journal stylish minimal dotted bullet journal to write in for women and girls personalized floral bullet journal

notebook dot grid with girl spreads for university

[jual novel ay lin karya deejuenii gramedia com](#) - Feb 23 2022

web jul 11 2022 fiqh sunnah lin nisaa jilid 2 ensiklopedi fiqih wanita rp 110 000 syaikh abu malik kamal fiqh sunnah lin nissa rp 175 000 syaikh abu malik kamal bin

publications professor paul aylin imperial college london - Mar 27 2022

web alboksmaty a beaney t elkin s clarke j darzi a aylin p neves al et al 2022 effectiveness and safety of pulse oximetry in remote patient monitoring of patients with

jual psm notebook a5 buku tulis spiral motif lucu aesthetic - Jan 25 2022

web beli psm notebook a5 buku tulis spiral motif lucu aesthetic garis buku catatan journaling diary planner journal murah terbaru harga murah di shopee ada

aylin personalized journal to write in notebook for girls and - Jan 05 2023

web aylin personalized journal to write in notebook for girls and women watercolor floral monogram initials names notebook with a fee unicorn 6x9 120 pages

amazon com aylin personalized journal to write in notebook - Dec 24 2021

web mar 27 2020 amazon com aylin personalized journal to write in notebook printed glitter black and gold notebook journal 110 pages 7x10 inch christmas gift

aylin journal personalized name journal for women girls - Feb 06 2023

web buy aylin journal personalized name journal for women girls personalized journal for aylin aylin s personal writing journal lined 110 pages for writing and note taking

aylin personalized writing journal notebook for g 2023 - Oct 02 2022

web looking for a nice notebook this is a great journal or notebook to write down your thoughts to be creative with poems or just to write down ideas perfect for school job

aylin personalized undated planner notebooks journals with - Oct 14 2023

web aylin personalized undated planner notebooks journals with name and monogram for girls and women to write in perfect gifts for her as a personal with premium gold

aylin you are stronger than you think amazon singapore - Aug 12 2023

web aylin you are stronger than you think personalized initial name writing journal notebook for girls and women perfect

uplifting inspirational leather design

amazon com aylin personalized journal to write in notebook - Jun 10 2023

web jan 9 2020 amazon com aylin personalized journal to write in notebook for girls and women watercolor floral

monogram initials names notebook with a fee unicorn

aylin journal lined journal notebook personalized name - Apr 08 2023

web aylin journal lined journal notebook personalized name aylin gift aylin s personal writing journal 100 pages for writing and note taking for women