

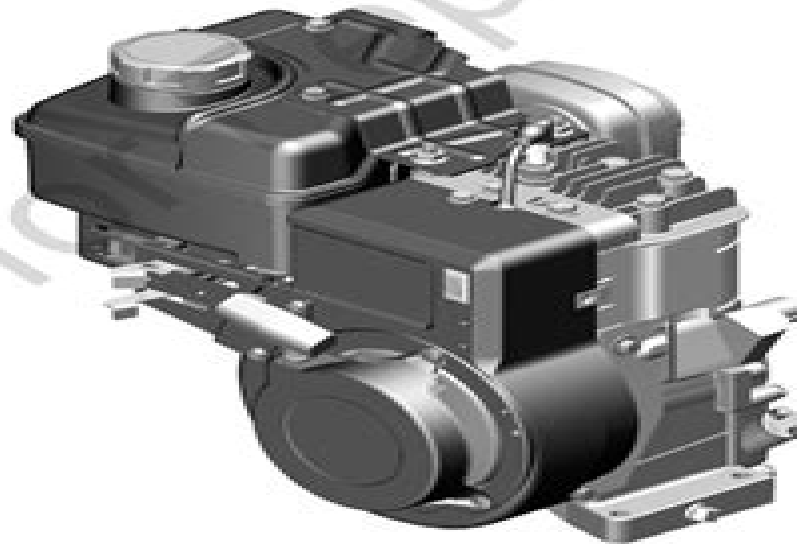


en *Operator's Manual*
es *Manual del Operario*
fr *Manuel de l'opérateur*



Model 90000

I/C[®] **475/525 Series™**
Power Built™ **475/525 Series™**



Briggs & Stratton is a registered trademark of Briggs & Stratton Corporation

© 2009 Briggs & Stratton Corporation, Milwaukee, WI, USA. All rights reserved.

Form No. 277098TR
Revision: C

English

en

Español

es

Français

fr

Briggs Stratton 475 Series Manual

S Marginson



Briggs Stratton 475 Series Manual:

Standard Auto-electrician's Manual ,1923 Field Manuals United States. War Department,1944 **Small Air-cooled Engine Service Manual, 1990-1994** ,1995 Previously published as one volume under same title Labor Relations Reference Manual ,1990 Vols 9 17 include decisions of the War Labor Board *Power Farming in Australia and New Zealand Technical Manual* ,1966 Public Works Manual ,2002 **Moody's Bank and Finance Manual** ,1961

Popular Science ,1958-06 Popular Science gives our readers the information and tools to improve their technology and their world The core belief that Popular Science and our readers share The future is going to be better and science and technology are the driving forces that will help make it better American Blacksmith, Auto & Tractor Shop ,1924

Subject Guide to Books ,1927 Contents v 1 History travel description

Unveiling the Magic of Words: A Report on "**Briggs Stratton 475 Series Manual**"

In a global defined by information and interconnectivity, the enchanting power of words has acquired unparalleled significance. Their capability to kindle emotions, provoke contemplation, and ignite transformative change is really awe-inspiring. Enter the realm of "**Briggs Stratton 475 Series Manual**," a mesmerizing literary masterpiece penned by way of a distinguished author, guiding readers on a profound journey to unravel the secrets and potential hidden within every word. In this critique, we shall delve in to the book is central themes, examine its distinctive writing style, and assess its profound affect the souls of its readers.

https://stats.tinkerine.com/files/scholarship/Download_PDFS/arman%20khaganis%20graduation%20speech.pdf

Table of Contents Briggs Stratton 475 Series Manual

1. Understanding the eBook Briggs Stratton 475 Series Manual
 - The Rise of Digital Reading Briggs Stratton 475 Series Manual
 - Advantages of eBooks Over Traditional Books
2. Identifying Briggs Stratton 475 Series Manual
 - Exploring Different Genres
 - Considering Fiction vs. Non-Fiction
 - Determining Your Reading Goals
3. Choosing the Right eBook Platform
 - Popular eBook Platforms
 - Features to Look for in an Briggs Stratton 475 Series Manual
 - User-Friendly Interface
4. Exploring eBook Recommendations from Briggs Stratton 475 Series Manual
 - Personalized Recommendations
 - Briggs Stratton 475 Series Manual User Reviews and Ratings
 - Briggs Stratton 475 Series Manual and Bestseller Lists

5. Accessing Briggs Stratton 475 Series Manual Free and Paid eBooks
 - Briggs Stratton 475 Series Manual Public Domain eBooks
 - Briggs Stratton 475 Series Manual eBook Subscription Services
 - Briggs Stratton 475 Series Manual Budget-Friendly Options
6. Navigating Briggs Stratton 475 Series Manual eBook Formats
 - ePub, PDF, MOBI, and More
 - Briggs Stratton 475 Series Manual Compatibility with Devices
 - Briggs Stratton 475 Series Manual Enhanced eBook Features
7. Enhancing Your Reading Experience
 - Adjustable Fonts and Text Sizes of Briggs Stratton 475 Series Manual
 - Highlighting and Note-Taking Briggs Stratton 475 Series Manual
 - Interactive Elements Briggs Stratton 475 Series Manual
8. Staying Engaged with Briggs Stratton 475 Series Manual
 - Joining Online Reading Communities
 - Participating in Virtual Book Clubs
 - Following Authors and Publishers Briggs Stratton 475 Series Manual
9. Balancing eBooks and Physical Books Briggs Stratton 475 Series Manual
 - Benefits of a Digital Library
 - Creating a Diverse Reading Collection Briggs Stratton 475 Series Manual
10. Overcoming Reading Challenges
 - Dealing with Digital Eye Strain
 - Minimizing Distractions
 - Managing Screen Time
11. Cultivating a Reading Routine Briggs Stratton 475 Series Manual
 - Setting Reading Goals Briggs Stratton 475 Series Manual
 - Carving Out Dedicated Reading Time
12. Sourcing Reliable Information of Briggs Stratton 475 Series Manual
 - Fact-Checking eBook Content of Briggs Stratton 475 Series Manual
 - Distinguishing Credible Sources
13. Promoting Lifelong Learning

- Utilizing eBooks for Skill Development
 - Exploring Educational eBooks
14. Embracing eBook Trends
- Integration of Multimedia Elements
 - Interactive and Gamified eBooks

Briggs Stratton 475 Series Manual Introduction

In today's digital age, the availability of Briggs Stratton 475 Series Manual books and manuals for download has revolutionized the way we access information. Gone are the days of physically flipping through pages and carrying heavy textbooks or manuals. With just a few clicks, we can now access a wealth of knowledge from the comfort of our own homes or on the go. This article will explore the advantages of Briggs Stratton 475 Series Manual books and manuals for download, along with some popular platforms that offer these resources. One of the significant advantages of Briggs Stratton 475 Series Manual books and manuals for download is the cost-saving aspect. Traditional books and manuals can be costly, especially if you need to purchase several of them for educational or professional purposes. By accessing Briggs Stratton 475 Series Manual versions, you eliminate the need to spend money on physical copies. This not only saves you money but also reduces the environmental impact associated with book production and transportation. Furthermore, Briggs Stratton 475 Series Manual books and manuals for download are incredibly convenient. With just a computer or smartphone and an internet connection, you can access a vast library of resources on any subject imaginable. Whether you're a student looking for textbooks, a professional seeking industry-specific manuals, or someone interested in self-improvement, these digital resources provide an efficient and accessible means of acquiring knowledge. Moreover, PDF books and manuals offer a range of benefits compared to other digital formats. PDF files are designed to retain their formatting regardless of the device used to open them. This ensures that the content appears exactly as intended by the author, with no loss of formatting or missing graphics. Additionally, PDF files can be easily annotated, bookmarked, and searched for specific terms, making them highly practical for studying or referencing. When it comes to accessing Briggs Stratton 475 Series Manual books and manuals, several platforms offer an extensive collection of resources. One such platform is Project Gutenberg, a nonprofit organization that provides over 60,000 free eBooks. These books are primarily in the public domain, meaning they can be freely distributed and downloaded. Project Gutenberg offers a wide range of classic literature, making it an excellent resource for literature enthusiasts. Another popular platform for Briggs Stratton 475 Series Manual books and manuals is Open Library. Open Library is an initiative of the Internet Archive, a non-profit organization dedicated to digitizing cultural artifacts and making them accessible to the public. Open Library hosts millions of books, including both public domain works and

contemporary titles. It also allows users to borrow digital copies of certain books for a limited period, similar to a library lending system. Additionally, many universities and educational institutions have their own digital libraries that provide free access to PDF books and manuals. These libraries often offer academic texts, research papers, and technical manuals, making them invaluable resources for students and researchers. Some notable examples include MIT OpenCourseWare, which offers free access to course materials from the Massachusetts Institute of Technology, and the Digital Public Library of America, which provides a vast collection of digitized books and historical documents. In conclusion, Briggs Stratton 475 Series Manual books and manuals for download have transformed the way we access information. They provide a cost-effective and convenient means of acquiring knowledge, offering the ability to access a vast library of resources at our fingertips. With platforms like Project Gutenberg, Open Library, and various digital libraries offered by educational institutions, we have access to an ever-expanding collection of books and manuals. Whether for educational, professional, or personal purposes, these digital resources serve as valuable tools for continuous learning and self-improvement. So why not take advantage of the vast world of Briggs Stratton 475 Series Manual books and manuals for download and embark on your journey of knowledge?

FAQs About Briggs Stratton 475 Series Manual Books

1. Where can I buy Briggs Stratton 475 Series Manual books? Bookstores: Physical bookstores like Barnes & Noble, Waterstones, and independent local stores. Online Retailers: Amazon, Book Depository, and various online bookstores offer a wide range of books in physical and digital formats.
2. What are the different book formats available? Hardcover: Sturdy and durable, usually more expensive. Paperback: Cheaper, lighter, and more portable than hardcovers. E-books: Digital books available for e-readers like Kindle or software like Apple Books, Kindle, and Google Play Books.
3. How do I choose a Briggs Stratton 475 Series Manual book to read? Genres: Consider the genre you enjoy (fiction, non-fiction, mystery, sci-fi, etc.). Recommendations: Ask friends, join book clubs, or explore online reviews and recommendations. Author: If you like a particular author, you might enjoy more of their work.
4. How do I take care of Briggs Stratton 475 Series Manual books? Storage: Keep them away from direct sunlight and in a dry environment. Handling: Avoid folding pages, use bookmarks, and handle them with clean hands. Cleaning: Gently dust the covers and pages occasionally.
5. Can I borrow books without buying them? Public Libraries: Local libraries offer a wide range of books for borrowing.

- Book Swaps: Community book exchanges or online platforms where people exchange books.
6. How can I track my reading progress or manage my book collection? Book Tracking Apps: Goodreads, LibraryThing, and Book Catalogue are popular apps for tracking your reading progress and managing book collections. Spreadsheets: You can create your own spreadsheet to track books read, ratings, and other details.
 7. What are Briggs Stratton 475 Series Manual audiobooks, and where can I find them? Audiobooks: Audio recordings of books, perfect for listening while commuting or multitasking. Platforms: Audible, LibriVox, and Google Play Books offer a wide selection of audiobooks.
 8. How do I support authors or the book industry? Buy Books: Purchase books from authors or independent bookstores. Reviews: Leave reviews on platforms like Goodreads or Amazon. Promotion: Share your favorite books on social media or recommend them to friends.
 9. Are there book clubs or reading communities I can join? Local Clubs: Check for local book clubs in libraries or community centers. Online Communities: Platforms like Goodreads have virtual book clubs and discussion groups.
 10. Can I read Briggs Stratton 475 Series Manual books for free? Public Domain Books: Many classic books are available for free as they're in the public domain. Free E-books: Some websites offer free e-books legally, like Project Gutenberg or Open Library.

Find Briggs Stratton 475 Series Manual :

arman khaganis graduation speech

~~arizona core manual~~

arctic cat sno pro manual

army asu picture guide

ariadne greville ballin publication french

ariadne kruissteken extra 2 magazines 3x losse borduurpatronen

ariston manuals

are you paying homage to pagan deities in your everyday dialogue

arjo p300 bathtub technical manual

are love meter in internet true

~~arema manual structural~~

arctic cat zr xf m pantera snowmobile service manual repair 2015

~~ariens deluxe 28 instruction manual~~
army ground guide signals forklifts
ariens gt 18 manual

Briggs Stratton 475 Series Manual :

physical medicine and rehabilitation medscape - Jul 14 2023

web physical medicine and rehabilitation articles covering symptoms causes diagnosis treatment rehabilitation prognosis and follow up peer reviewed and up to date recommendations written by leading experts

physical medicine and rehabilitation overview mayo clinic - Apr 11 2023

web may 11 2023 overview mayo clinic specialists in physical medicine and rehabilitation pm r help restore movement and function to people limited by disease or injury pm r physicians diagnose and treat a variety of medical conditions affecting the brain spinal cord nerves and the musculoskeletal system

turkish journal of physical medicine and rehabilitation - Jun 13 2023

web turkish journal of physical medicine and rehabilitation 2023 vol 69 num 3 invited review upper limb prosthetic prescription yasin demir turk j phys med rehab 2023 69 261 265 10 5606 tftd 2023 12933 original article

physiotherapy rehabilitation in turkey top 3 clinics - Jan 08 2023

web physical medicine and rehabilitation pmr also called re education or physiotherapy is a medical speciality the latter is indicated for anyone with an acquired or innate disability regardless of the gender the age and the lifestyle it aims to minimize or eliminate the physical and psychological consequences of the disability

rehabilitation world health organization who - Jun 01 2022

web jan 30 2023 physical exercise training to improve muscle strength voluntary movements and balance in persons with stroke or parkinson disease modifying an older person s home environment to improve their safety and independence at home and to reduce their risk of falls educating a person with heart disease on how to exercise safely

[İstanbul fizik tedavi ve rehabilitasyon merkezleri listesi](#) - Feb 26 2022

web İstanbul şehir merkezi ve ilçelerde faaliyet gösteren 16 adet fizik tedavi ve rehabilitasyon merkezi listelenmiştir İstanbul ilinde toplam 640 farklı sağlık kurumu hizmet sunmaktadır diğer kurumların listesine ulaşmak için üst menüden İstanbul yazısına tıklayabilirsiniz

pharmacological and non pharmacological treatment approaches to chronic - Sep 04 2022

web mar 4 2021 in this review we discuss pharmacological and non pharmacological treatment approaches for chronic low back pain in the light of current data and guidelines low back pain is a common and important cause of disability chronic

pain increases disability and cost

archives of physical medicine and rehabilitation journal - Aug 03 2022

web archives of physical medicine and rehabilitation about the journal the publishes original peer reviewed research and clinical reports on important trends and developments in physical medicine and rehabilitation and related fields this international journal brings researchers and clinicians authoritative view full aims scope

pm r wiley online library - Aug 15 2023

web aug 9 2011 how covid 19 informed the future impact of the specialty of physical medicine and rehabilitation throughout the health care continuum our white paper series is now freely accessible to read

overview of physical medicine and rehabilitation pm r - Jul 02 2022

web physical medicine and rehabilitation pm r also known as physiatry is a medical specialty that involves restoring function for a person who has been disabled as a result of a disease disorder or injury physiatry provides integrated multidisciplinary care aimed at recovery of the whole person by addressing the individual s physical

the turkish society of physical medicine and rehabilitation - Dec 07 2022

web may 28 2019 a total of 46 physical medicine and rehabilitation specialists were included a systematic literature search was carried out in pubmed scopus cochrane and turkish medical index between 2000 and 2018

fiziksel tıp ve rehabilitasyon bilimleri dergisi - Oct 05 2022

web tetik parmak tedavisinde ortezle kombine edilen ultrason rehberliğinde lokal kortikosteroid enjeksiyonu etkinliği randomize kontrollü Çalışma cemile sevgi polat a Şule ŞahİN onat a fazıl kulaklı b ender erden a meltem güneş akinci a a clinic of physical medicine and rehabilitation ankara physical therapy and rehabilitation

physical medicine and rehab faq mayo clinic health system - Jan 28 2022

web nov 13 2019 rehabilitation therapy by mayo clinic health system staff physical medicine and rehabilitation refers to the medical specialty that treats a variety of conditions including impairments disabilities affecting the brain spinal cord nerves bones joints ligaments tendons or muscles

physical medicine and rehabilitation wikipedia - May 12 2023

web physical medicine and rehabilitation also known as physiatry is a branch of medicine that aims to enhance and restore functional ability and quality of life to people with physical impairments or disabilities

İstanbul fizik tedavi ve rehabilitasyon eğitim ve araştırma - Apr 30 2022

web online randevu sistemi personel mail girişi Çalışan Şikayet Öneri formu hasta Şikayet Öneri formu doktor Çalışma cetveli laboratuvar sonuçları röntgen mr sonuçları online randevu sistemi

about physical medicine rehabilitation aapm r - Dec 27 2021

web physical medicine and rehabilitation pm r also known as physiatry or rehabilitation medicine aims to enhance and restore functional ability and quality of life to those with physical impairments or disabilities affecting the brain spinal cord nerves bones joints ligaments muscles and tendons

[instructions for authors turkish journal of physical medicine](#) - Mar 10 2023

web the turkish journal of physical medicine and rehabilitation formerly published as türkiye fiziksel tıp ve rehabilitasyon dergisi is the official publication of the turkish society of physical medicine and rehabilitation which covers specific subjects on physical medicine and rehabilitation

[american journal of physical medicine rehabilitation lww](#) - Feb 09 2023

web nov 15 2021 american journal of physical medicine rehabilitation focuses on the practice research and educational aspects of physical medicine and rehabilitation monthly issues keep physiatrists up to date on the optimal functional restoration of patients with disabilities physical treatment of neuromuscular impairments the development of

[physical medicine and rehabilitation an overview sciencedirect](#) - Mar 30 2022

web physical medicine and rehabilitation deals with the diagnosis treatment and prevention of disease as well as the improvement of human quality of life by physical means including manipulation massage exercise radiation etc often with electromagnetic em and thermo mechanical devices

[the effects of covid 19 on physical medicine and rehabilitation](#) - Nov 06 2022

web jul 7 2020 meanwhile the turkish society of physical medicine and rehabilitation tspmr published the consensus about the instructions for outpatient clinics rehabilitation units and inpatient rehabilitation services to reduce the infection rate on march 18 th 2020 in this guideline it was recommended to postpone the treatment of

inteligência em concursos portuguese edition softcover - May 29 2023

web inteligência em concursos portuguese edition by piazzzi pierluigi isbn 10 8576572087 isbn 13 9788576572084 editora aleph 2022 softcover inteligência em concursos

[portuguese police apologise to madeleine mccann s parents](#) - Nov 10 2021

web oct 30 2023 portuguese police have apologised to the family of madeleine mccann for the handling of the unsolved case more than 16 years after the three year old s mystery

o aleph portuguese edition by jorge luis borges open library - Jun 29 2023

web apr 12 2013 o aleph portuguese edition by jorge luis borges 3 83 6 ratings 52 want to read 6 currently reading 9 have read

yasha ahayah biblia escrituras aleph tav portuguese edition - Aug 20 2022

web nov 11 2020 as escrituras bíblicas de yasha ahayah aleph tav yasat saindo de babylon são uma versão em inglês

seguindo a palavra antioquia protestante da

aleph portuguese edition by paulo coelho barnes noble - Feb 23 2023

web may 8 2012 transforme sua vida reescreva seu destino num tom franco e extremamente pessoal paulo coelho relata sua incr iacute vel jornada de

alephportugueseedition 2023 cpanel urbnleaf - Jan 13 2022

web title alephportugueseedition 2023 cpanel urbnleaf com subject alephportugueseedition 2023 created date 10 8 2023 3 13 01 pm

aleph portuguese edition help environment harvard edu - Oct 22 2022

web aleph portuguese edition getting the books aleph portuguese edition now is not type of inspiring means you could not unaccompanied going in imitation of books deposit or

aleph novel wikipedia - Mar 27 2023

web an autobiographical account it is his fourteenth major book and touches on the theme of spirituality aleph was written in coelho s native language portuguese the book tells

aleph em portugues do brasil amazon com - Sep 08 2021

web jan 1 2019 o que fazer quando é preciso mudar tudo para seguir em frente mas não se sabe como em aleph paulo coelho nos leva em uma viagem pela África europa e

o aleph wikipédia a enciclopédia livre - Oct 02 2023

o aleph no original el aleph é um livro de histórias curtas de jorge luis borges publicado em 1949 e contendo entre outros o conto que dá nome ao livro o escritor aborda vários pontos paradoxais como a imortalidade a identidade o duplo a eternidade o tempo a soberba a condição humana e suas crenças com um alto grau de criatividade e escrita superior com elevad

o aleph portuguese edition kindle edition amazon com - Sep 01 2023

web aug 19 2016 o aleph portuguese edition kindle edition portuguese edition by jorge luis borges author davi arrigucci jr translator format kindle edition 4 7 483

amazon co uk customer reviews aleph portuguese edition - Jul 19 2022

web find helpful customer reviews and review ratings for aleph portuguese edition at amazon com read honest and unbiased product reviews from our users

o aleph portuguese edition paperback amazon co uk - Sep 20 2022

web buy o aleph portuguese edition by isbn 9789897220715 from amazon s book store everyday low prices and free delivery on eligible orders

aleph portuguese edition aviator txmq com - Apr 27 2023

web aleph portuguese edition 1 aleph portuguese edition aleph portuguese edition downloaded from aviator txmq com by guest kendal page best sellers books

aleph magazine persian lifestyle - Dec 12 2021

web aleph is a seasonal magazine that offers a space both in print and online for people and high end businesses to connect it effortlessly allows westerners to gain a better more

aleph portuguese edition kindle edition amazon co uk - Apr 15 2022

web select the department you want to search in

aleph portuguese edition jupyterhub bigelow org - Jan 25 2023

web aleph portuguese edition 1 aleph portuguese edition thank you for downloading aleph portuguese edition as you may know people have search numerous times for their

aleph portuguese edition kindle edition amazon com au - Dec 24 2022

web aleph portuguese edition ebook coelho paulo amazon com au kindle store skip to main content com au delivering to sydney 1171 sign in to update kindle store select

claims about genuine age of bobi world s oldest dog to be - Oct 10 2021

web oct 29 2023 now the guinness world records has said it is investigating whether the claim the portuguese mastiff lived to 31 years and 165 days is genuine alongside

aleph portuguese edition kindle edition amazon in - Mar 15 2022

web select the department you want to search in

aleph portuguese edition demo1 woodropship com - May 17 2022

web christopher columbus and the portuguese 1476 1498 aleph portuguese edition downloaded from demo1 woodropship com by guest trujillo cunningham word

aleph portuguese edition kindle edition amazon com - Jul 31 2023

web feb 20 2020 aleph é o relato franco de uma impressionante jornada de autodescoberta que nos convida a ponderar o significado de nossa própria trajetória o que fazer

aleph portuguese edition help environment harvard edu - Nov 22 2022

web as skillfully as insight of this aleph portuguese edition can be taken as skillfully as picked to act what s missing m schottenbauer 2013 06 27 practice your visual spatial skills

aleph portuguese edition uniport edu ng - Feb 11 2022

web oct 8 2023 aleph portuguese edition 1 10 downloaded from uniport edu ng on october 8 2023 by guest aleph portuguese edition right here we have countless books aleph

aleph portuguese edition - Jun 17 2022

web aleph portuguese edition downloaded from stage gapinc com by guest eden collins issues in analysis measurement monitoring imaging and remote sensing

results for buen viaje 1 chapter tests tpt - Sep 04 2022

web this chapter test covers the main concepts of chapter 1 of buen viaje level 1 including gender number articles adjectives and ser it test students in a variety of ways including fill in q a translations finding the errors in a paragraph and explaining grammar concepts

buen viaje level 1 final exam vocabulary flashcards quizlet - Oct 05 2022

web study with quizlet and memorize flashcards containing terms like sometimes grandmother grandfather and more

buen viaje level 3 9780078791420 exercise 1 quizlet - Apr 11 2023

web find step by step solutions and answers to exercise 1 from buen viaje level 3 9780078791420 as well as thousands of textbooks so you can move forward with confidence fresh features from the 1 ai enhanced learning platform

buen viaje capítulo 4 flashcards quizlet - Feb 09 2023

web buen viaje capítulo 4 all terms learn with flashcards games and more for free

buen viaje level 1 chapters 1 12 student self assessment eng to - Jul 02 2022

web buen viaje level 1 chapters 1 12 student self assessment english to spanish vocabulary knowledge rating scale this english to spanish form allows students to monitor their own vocabulary acquisition track their progress and prepare for formative or summative assessments this pdf file includes

buen viaje chapter 4 flashcards quizlet - Dec 07 2022

web buen viaje chapter 4 learn with flashcards games and more for free buen viaje chapter 4 learn with flashcards games and more for free home subjects verified answer spanish now fill in the blanks in the following sentences with the correct forms of the verbs in parentheses Jaime todos los días caminar

buen viaje chapter assessment answers copy uniport edu - Feb 26 2022

web buen viaje chapter assessment answers 1 7 downloaded from uniport edu ng on september 12 2023 by guest buen viaje chapter assessment answers when people should go to the book stores search initiation by shop shelf by shelf it is essentially problematic this is why we provide the books compilations in this website it will

buen viaje level 1 chapter 5 test by spanish tests quizzes - Nov 06 2022

web this is an original test based on the material from chapter 5 in the buen viaje spanish i book chapter 5 it covers chapter five s vocabulary and er ir verbs it consists of fill in the blank matching and multiple choice questions

buen viaje level 1 2nd edition solutions and answers quizlet - Aug 15 2023

web our resource for buen viaje level 1 includes answers to chapter exercises as well as detailed information to walk you through the process step by step with expert solutions for thousands of practice problems you can take the guesswork out of studying and move forward with confidence

buen viaje level 1 chapter 11 air travel flashcards quizlet - Jan 08 2023

web buen viaje level 1 chapter 8 la salud 51 terms senorbeardall teacher buen viaje level 1 chapter 2 55 terms sraholt2 buen viaje level 1 chapter 6 family 78 terms senorbeardall teacher other sets by this creator abenamar abenamar 28 terms senorbeardall teacher el secuestro capítulo uno 38 terms

buen viaje level 3 1st edition solutions and answers quizlet - Jul 14 2023

web now with expert verified solutions from buen viaje level 3 1st edition you ll learn how to solve your toughest homework problems our resource for buen viaje level 3 includes answers to chapter exercises as well as detailed information to walk you through the process step by step

chapter quizzes with answer key buen viaje glencoe - Jan 28 2022

web hexbound the dark elite 2 by chloe neill chapter quizzes with answer key buen viaje glencoe spanish 3 glencoe 19 rate this book borrow 392751 404547

buen viaje level 3 9780078791420 solutions and answers - Jun 13 2023

web find step by step solutions and answers to buen viaje level 3 9780078791420 as well as thousands of textbooks so you can move forward with confidence

buen viaje chapter assessment answers pdf gcca - Jun 01 2022

web mar 23 2023 buen viaje chapter assessment answers pdf is available in our digital library an online access to it is set as public so you can download it instantly our books collection spans in multiple countries allowing you

buen viaje chapter assessment answers assets docseducation - Dec 27 2021

web buen viaje chapter assessment answers but end up in dangerous downloads acknowledging the amplification ways to obtain this ebook buen viaje chapter assessment answers is in addition beneficial

buen viaje chapter assessment answers copy api italiano - Mar 30 2022

web buen viaje chapter assessment answers book review unveiling the power of words in a global driven by information and connectivity the power of words has be evident than ever they have the capability to inspire provoke and ignite change

results for buen viaje chapter 5 tpt - Apr 30 2022

web this is an original test based on the material from chapter 5 in the buen viaje spanish i book chapter 5 it covers chapter five s vocabulary and er ir verbs it consists of fill in the blank matching and mulitple choice questions

buen viaje level 1 chapter 9 el verano y el invierno quizlet - May 12 2023

web buen viaje level 1 chapter 9 el verano y el invierno how do you want to study today flashcards review terms and definitions learn focus your studying with a path test take a practice test match get faster at matching terms beach resort click card to see definition el balneario click again to see term 1 70 previous next flip space

results for buen viaje 1 chapter 1 tpt - Aug 03 2022

web this chapter test covers the main concepts of chapter 1 of buen viaje level 1 including gender number articles adjectives and ser it test students in a variety of ways including fill in q a translations finding the errors in a paragraph and explaining grammar concepts

buen viaje spanish 1 key answer teaching resources tpt - Mar 10 2023

web buen viaje level 1 chapters 1 12 student self assessment english to spanish vocabulary knowledge rating scale this english to spanish form allows students to monitor their own vocabulary acquisition track their progress and prepare for formative or summative assessments