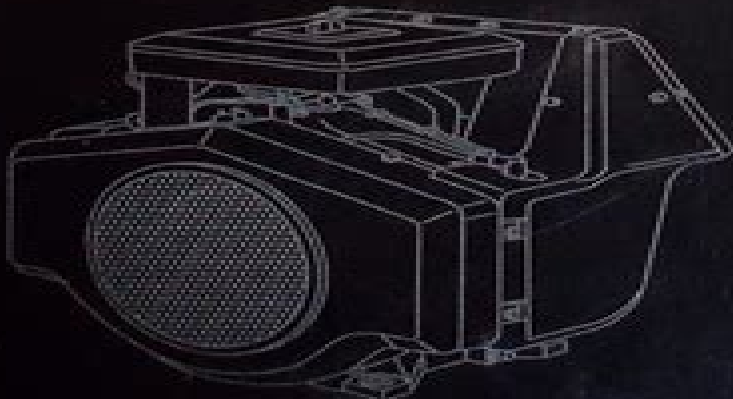
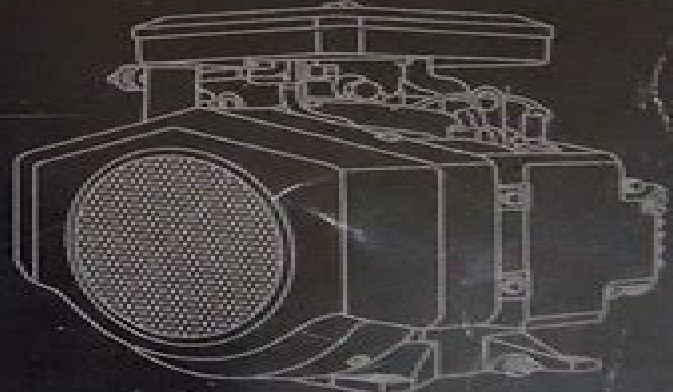
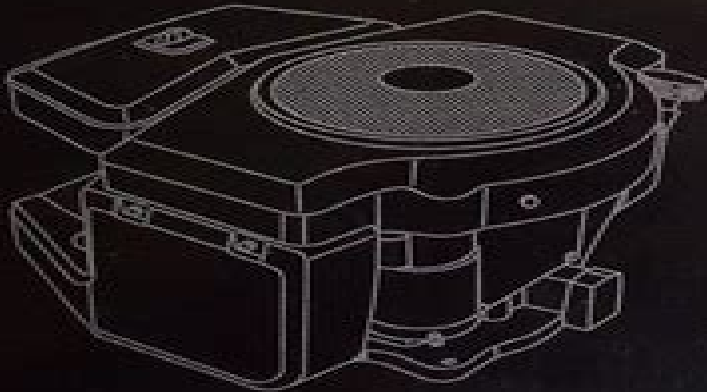




Repair Manual

For 4-Cycle Twin Cylinder "L" Head Engines



Briggs And Stratton Repair Manual Rally

RD Boyd



Briggs And Stratton Repair Manual Rally:

Popular Mechanics ,1978-01 Popular Mechanics inspires instructs and influences readers to help them master the modern world Whether it s practical DIY home improvement tips gadgets and digital technology information on the newest cars or the latest breakthroughs in science PM is the ultimate guide to our high tech lifestyle **Popular Science** ,1978-02 Popular Science gives our readers the information and tools to improve their technology and their world The core belief that Popular Science and our readers share The future is going to be better and science and technology are the driving forces that will help make it better *Road and Track* ,1978 **Popular Mechanics** ,1981-07 Popular Mechanics inspires instructs and influences readers to help them master the modern world Whether it s practical DIY home improvement tips gadgets and digital technology information on the newest cars or the latest breakthroughs in science PM is the ultimate guide to our high tech lifestyle Popular Science ,1983-01 Popular Science gives our readers the information and tools to improve their technology and their world The core belief that Popular Science and our readers share The future is going to be better and science and technology are the driving forces that will help make it better **Popular Mechanics** ,1977-02 Popular Mechanics inspires instructs and influences readers to help them master the modern world Whether it s practical DIY home improvement tips gadgets and digital technology information on the newest cars or the latest breakthroughs in science PM is the ultimate guide to our high tech lifestyle *Popular Mechanics* ,1979-11 Popular Mechanics inspires instructs and influences readers to help them master the modern world Whether it s practical DIY home improvement tips gadgets and digital technology information on the newest cars or the latest breakthroughs in science PM is the ultimate guide to our high tech lifestyle **Popular Science** ,1978-10 Popular Science gives our readers the information and tools to improve their technology and their world The core belief that Popular Science and our readers share The future is going to be better and science and technology are the driving forces that will help make it better *Popular Science* ,1978-11 Popular Science gives our readers the information and tools to improve their technology and their world The core belief that Popular Science and our readers share The future is going to be better and science and technology are the driving forces that will help make it better Popular Mechanics ,1980-03 Popular Mechanics inspires instructs and influences readers to help them master the modern world Whether it s practical DIY home improvement tips gadgets and digital technology information on the newest cars or the latest breakthroughs in science PM is the ultimate guide to our high tech lifestyle

Getting the books **Briggs And Stratton Repair Manual Rally** now is not type of challenging means. You could not unaccompanied going later books increase or library or borrowing from your links to right of entry them. This is an very easy means to specifically acquire guide by on-line. This online broadcast Briggs And Stratton Repair Manual Rally can be one of the options to accompany you bearing in mind having additional time.

It will not waste your time. receive me, the e-book will very reveal you other thing to read. Just invest tiny become old to entrance this on-line notice **Briggs And Stratton Repair Manual Rally** as capably as evaluation them wherever you are now.

https://stats.tinkerine.com/book/virtual-library/HomePages/a_practical_guide_to_trusted_computing_kent_yoder.pdf

Table of Contents Briggs And Stratton Repair Manual Rally

1. Understanding the eBook Briggs And Stratton Repair Manual Rally
 - The Rise of Digital Reading Briggs And Stratton Repair Manual Rally
 - Advantages of eBooks Over Traditional Books
2. Identifying Briggs And Stratton Repair Manual Rally
 - Exploring Different Genres
 - Considering Fiction vs. Non-Fiction
 - Determining Your Reading Goals
3. Choosing the Right eBook Platform
 - Popular eBook Platforms
 - Features to Look for in an Briggs And Stratton Repair Manual Rally
 - User-Friendly Interface
4. Exploring eBook Recommendations from Briggs And Stratton Repair Manual Rally
 - Personalized Recommendations
 - Briggs And Stratton Repair Manual Rally User Reviews and Ratings
 - Briggs And Stratton Repair Manual Rally and Bestseller Lists

5. Accessing Briggs And Stratton Repair Manual Rally Free and Paid eBooks
 - Briggs And Stratton Repair Manual Rally Public Domain eBooks
 - Briggs And Stratton Repair Manual Rally eBook Subscription Services
 - Briggs And Stratton Repair Manual Rally Budget-Friendly Options
6. Navigating Briggs And Stratton Repair Manual Rally eBook Formats
 - ePub, PDF, MOBI, and More
 - Briggs And Stratton Repair Manual Rally Compatibility with Devices
 - Briggs And Stratton Repair Manual Rally Enhanced eBook Features
7. Enhancing Your Reading Experience
 - Adjustable Fonts and Text Sizes of Briggs And Stratton Repair Manual Rally
 - Highlighting and Note-Taking Briggs And Stratton Repair Manual Rally
 - Interactive Elements Briggs And Stratton Repair Manual Rally
8. Staying Engaged with Briggs And Stratton Repair Manual Rally
 - Joining Online Reading Communities
 - Participating in Virtual Book Clubs
 - Following Authors and Publishers Briggs And Stratton Repair Manual Rally
9. Balancing eBooks and Physical Books Briggs And Stratton Repair Manual Rally
 - Benefits of a Digital Library
 - Creating a Diverse Reading Collection Briggs And Stratton Repair Manual Rally
10. Overcoming Reading Challenges
 - Dealing with Digital Eye Strain
 - Minimizing Distractions
 - Managing Screen Time
11. Cultivating a Reading Routine Briggs And Stratton Repair Manual Rally
 - Setting Reading Goals Briggs And Stratton Repair Manual Rally
 - Carving Out Dedicated Reading Time
12. Sourcing Reliable Information of Briggs And Stratton Repair Manual Rally
 - Fact-Checking eBook Content of Briggs And Stratton Repair Manual Rally
 - Distinguishing Credible Sources
13. Promoting Lifelong Learning

- Utilizing eBooks for Skill Development
 - Exploring Educational eBooks
14. Embracing eBook Trends
- Integration of Multimedia Elements
 - Interactive and Gamified eBooks

Briggs And Stratton Repair Manual Rally Introduction

In today's digital age, the availability of Briggs And Stratton Repair Manual Rally books and manuals for download has revolutionized the way we access information. Gone are the days of physically flipping through pages and carrying heavy textbooks or manuals. With just a few clicks, we can now access a wealth of knowledge from the comfort of our own homes or on the go. This article will explore the advantages of Briggs And Stratton Repair Manual Rally books and manuals for download, along with some popular platforms that offer these resources. One of the significant advantages of Briggs And Stratton Repair Manual Rally books and manuals for download is the cost-saving aspect. Traditional books and manuals can be costly, especially if you need to purchase several of them for educational or professional purposes. By accessing Briggs And Stratton Repair Manual Rally versions, you eliminate the need to spend money on physical copies. This not only saves you money but also reduces the environmental impact associated with book production and transportation. Furthermore, Briggs And Stratton Repair Manual Rally books and manuals for download are incredibly convenient. With just a computer or smartphone and an internet connection, you can access a vast library of resources on any subject imaginable. Whether you're a student looking for textbooks, a professional seeking industry-specific manuals, or someone interested in self-improvement, these digital resources provide an efficient and accessible means of acquiring knowledge. Moreover, PDF books and manuals offer a range of benefits compared to other digital formats. PDF files are designed to retain their formatting regardless of the device used to open them. This ensures that the content appears exactly as intended by the author, with no loss of formatting or missing graphics. Additionally, PDF files can be easily annotated, bookmarked, and searched for specific terms, making them highly practical for studying or referencing. When it comes to accessing Briggs And Stratton Repair Manual Rally books and manuals, several platforms offer an extensive collection of resources. One such platform is Project Gutenberg, a nonprofit organization that provides over 60,000 free eBooks. These books are primarily in the public domain, meaning they can be freely distributed and downloaded. Project Gutenberg offers a wide range of classic literature, making it an excellent resource for literature enthusiasts. Another popular platform for Briggs And Stratton Repair Manual Rally books and manuals is Open Library. Open Library is an initiative of the Internet Archive, a non-profit organization dedicated to digitizing cultural artifacts and making them accessible to the public. Open Library hosts millions of books, including both public domain works

and contemporary titles. It also allows users to borrow digital copies of certain books for a limited period, similar to a library lending system. Additionally, many universities and educational institutions have their own digital libraries that provide free access to PDF books and manuals. These libraries often offer academic texts, research papers, and technical manuals, making them invaluable resources for students and researchers. Some notable examples include MIT OpenCourseWare, which offers free access to course materials from the Massachusetts Institute of Technology, and the Digital Public Library of America, which provides a vast collection of digitized books and historical documents. In conclusion, Briggs And Stratton Repair Manual Rally books and manuals for download have transformed the way we access information. They provide a cost-effective and convenient means of acquiring knowledge, offering the ability to access a vast library of resources at our fingertips. With platforms like Project Gutenberg, Open Library, and various digital libraries offered by educational institutions, we have access to an ever-expanding collection of books and manuals. Whether for educational, professional, or personal purposes, these digital resources serve as valuable tools for continuous learning and self-improvement. So why not take advantage of the vast world of Briggs And Stratton Repair Manual Rally books and manuals for download and embark on your journey of knowledge?

FAQs About Briggs And Stratton Repair Manual Rally Books

How do I know which eBook platform is the best for me? Finding the best eBook platform depends on your reading preferences and device compatibility. Research different platforms, read user reviews, and explore their features before making a choice. Are free eBooks of good quality? Yes, many reputable platforms offer high-quality free eBooks, including classics and public domain works. However, make sure to verify the source to ensure the eBook credibility. Can I read eBooks without an eReader? Absolutely! Most eBook platforms offer webbased readers or mobile apps that allow you to read eBooks on your computer, tablet, or smartphone. How do I avoid digital eye strain while reading eBooks? To prevent digital eye strain, take regular breaks, adjust the font size and background color, and ensure proper lighting while reading eBooks. What the advantage of interactive eBooks? Interactive eBooks incorporate multimedia elements, quizzes, and activities, enhancing the reader engagement and providing a more immersive learning experience. Briggs And Stratton Repair Manual Rally is one of the best book in our library for free trial. We provide copy of Briggs And Stratton Repair Manual Rally in digital format, so the resources that you find are reliable. There are also many Ebooks of related with Briggs And Stratton Repair Manual Rally. Where to download Briggs And Stratton Repair Manual Rally online for free? Are you looking for Briggs And Stratton Repair Manual Rally PDF? This is definitely going to save you time and cash in something you should think about. If you trying to find then search around for online. Without a doubt there are numerous these available and many of

them have the freedom. However without doubt you receive whatever you purchase. An alternate way to get ideas is always to check another Briggs And Stratton Repair Manual Rally. This method for see exactly what may be included and adopt these ideas to your book. This site will almost certainly help you save time and effort, money and stress. If you are looking for free books then you really should consider finding to assist you try this. Several of Briggs And Stratton Repair Manual Rally are for sale to free while some are payable. If you arent sure if the books you would like to download works with for usage along with your computer, it is possible to download free trials. The free guides make it easy for someone to free access online library for download books to your device. You can get free download on free trial for lots of books categories. Our library is the biggest of these that have literally hundreds of thousands of different products categories represented. You will also see that there are specific sites catered to different product types or categories, brands or niches related with Briggs And Stratton Repair Manual Rally. So depending on what exactly you are searching, you will be able to choose e books to suit your own need. Need to access completely for Campbell Biology Seventh Edition book? Access Ebook without any digging. And by having access to our ebook online or by storing it on your computer, you have convenient answers with Briggs And Stratton Repair Manual Rally To get started finding Briggs And Stratton Repair Manual Rally, you are right to find our website which has a comprehensive collection of books online. Our library is the biggest of these that have literally hundreds of thousands of different products represented. You will also see that there are specific sites catered to different categories or niches related with Briggs And Stratton Repair Manual Rally So depending on what exactly you are searching, you will be able to choose ebook to suit your own need. Thank you for reading Briggs And Stratton Repair Manual Rally. Maybe you have knowledge that, people have search numerous times for their favorite readings like this Briggs And Stratton Repair Manual Rally, but end up in harmful downloads. Rather than reading a good book with a cup of coffee in the afternoon, instead they juggled with some harmful bugs inside their laptop. Briggs And Stratton Repair Manual Rally is available in our book collection an online access to it is set as public so you can download it instantly. Our digital library spans in multiple locations, allowing you to get the most less latency time to download any of our books like this one. Merely said, Briggs And Stratton Repair Manual Rally is universally compatible with any devices to read.

Find Briggs And Stratton Repair Manual Rally :

~~a practical guide to trusted computing kent yoder~~
a new spirit of the age

a primer of multivariate statistics

a practical guide to risk management kindle edition thomas s coleman

a moms guide to working from home

a quick reference to medical terminology a quick reference to medical terminology

a modest proposal questions on rhetoric and style

a practical guide to witchcraft and magick spells

a promise to remember the names project book of letters

a modern course in statistical physics

a rabbi looks at jesus of nazareth

a poetics of resistance the revolutionary public relations of the zapatista insurgency

a pocket companion to pmis pmboka guide

a paso de cangrejo bestseller debolsillo

~~a new kind of zeal~~

Briggs And Stratton Repair Manual Rally :

wikizero tim olimpiade fisika indonesia - Nov 12 2022

web tim olimpiade fisika indonesia atau yang sering disebut tofi adalah sebuah organisasi yang melatih tim tim yang terdiri dari siswa siswi terbaik sekolah menengah atas di indonesia untuk dipersiapkan mewakili indonesia bertanding dalam international physics olympiad dan asian physics olympiad

tim olimpiade fisika indonesia tofi 2006 english youtube - Jun 19 2023

web a touching story from the 2006 37th international physics olympiadas told by prof yohanes surya ph dnarrator srisetiowati seiful

tim olimpiade fisika indonesia stekom - Aug 09 2022

web tim olimpiade fisika indonesia atau yang sering disebut tofi adalah sebuah organisasi yang melatih tim tim yang terdiri dari siswa siswi terbaik sekolah menengah atas di indonesia untuk dipersiapkan mewakili indonesia bertanding dalam international physics olympiad dan asian physics olympiad

5 siswa ri disiapkan ikuti olimpiade fisika internasional 2021 - Apr 17 2023

web may 27 2021 sebanyak lima siswa asal indonesia disiapkan untuk mengikuti international physics olympiad ipho atau olimpiade fisika internasional pada 17 25 juli 2021 mendatang olimpiade fisika internasional 2021 akan berlangsung di vilnius lithuania yang akan digelar secara luring offline dan juga daring

tim pelajar indonesia sabet 5 medali di ajang olimpiade fisika - Jul 20 2023

web jul 19 2022 tim olimpiade fisika indonesia terdiri atas lima anggota tim kelima siswa indonesia di bidang fisika ini berasal dari lima sekolah berbeda yang tersebar di empat provinsi indonesia mereka berhasil mengharumkan nama indonesia

dengan meraih satu medali emas tiga perak dan satu perunggu

[tim olimpiade fisika indonesia wikiwand](#) - Mar 16 2023

web tim olimpiade fisika indonesia atau yang sering disebut tofi adalah sebuah organisasi yang melatih tim tim yang terdiri dari siswa siswi terbaik sekolah menengah atas di indonesia untuk dipersiapkan mewakili indonesia bertanding dalam international physics olympiad dan asian physics olympiad

[difraksi tofi tim olimpiade fisika indonesia](#) - Aug 21 2023

web broadcast olimpiade sains nasional 2010 bidang ilmu fisika animasi fisika 1 difraksi fisika um ac id gt tofi raih empat medali emas dan satu perak di zagreb olimpiade sains nasional 2010 bidang ilmu fisika digital library tim olimpiade fisika indonesia targetkan prof yohanes surya ph d seorang fisikawan

difraksi tofi tim olimpiade fisika indonesia nusantara sch id - Apr 05 2022

web tim olimpiade fisika indonesia raih emas di international animasi fisika 1 difraksi fisika um ac id tim olimpiade fisika indonesia tofi alampun bertasbih keren indonesia raih medali di olimpiade fisika tersulit tofi or id tofi tim olimpiade fisika indonesia tim gt tofi raih empat medali emas dan satu perak di zagreb

difraksi tofi tim olimpiade fisika indonesia - Dec 13 2022

web difraksi tofi tim olimpiade fisika indonesia 1 omb no tim olimpiade fisika indonesia tofi 2006 english tim olimpiade fisika indonesia tofi 2006 tim olimpiade fisika indonesia torehkan prestasi bag 1 tofi 2006 revision ipho 37 singapore indonesian version tim olimpiade fisika indonesia 2017 liputan 6 tofi

difraksi tofi tim olimpiade fisika indonesia - Jul 08 2022

web olimpiade fisika indonesia tofi 2006 english tofi fisika itu sangat mudah dan asyik gt tofi raih empat medali emas dan satu perak di zagreb kunci meraih medali

difraksi tofi tim olimpiade fisika indonesia - Jun 07 2022

web difraksi tofi tim olimpiade fisika indonesia prof yohanes surya tofi dan fisika indonesia forum tokoh fisika indonesia dunia fisika digital library tim olimpiade fisika indonesia targetkan tim olimpiade fisika indonesia raih emas di international tofi fisika itu sangat mudah dan asyik

difraksi tofi tim olimpiade fisika indonesia careersatdot com - Sep 10 2022

web 2 difraksi tofi tim olimpiade fisika indonesia 2021 07 31 the theory of relativity cambridge university press the first complete introduction to waves and wave phenomena by a renowned theorist covers damping forced oscillations and resonance normal modes symmetries traveling waves signals and fourier analysis polarization diffraction

difraksi tofi tim olimpiade fisika indonesia - Mar 04 2022

web difraksi tofi tim olimpiade fisika indonesia downloaded from portal nivbook co il by guest sherman tessa the future

opportunities and challenges of business in digital era 4 difraksi tofi tim olimpiade fisika indonesia 2023 09 08 event via zoom the theme of the 2nd icope 2020 was exploring the new era of education with various

tim indonesia raih medali perak dan perunggu di olimpiade fisika - Jan 14 2023

web jul 18 2023 liputan6 com tokyo setelah sebelumnya tim matematika dari indonesia meraih medali di olimpiade matematika di jepang kini giliran tim fisika yang membawa kabar kemenangan dari tokyo tim fisika indonesia meraih dua medali perak satu perunggu dan dua honorary mention

tofi tim olimpiade fisika indonesia all acronyms - Feb 15 2023

web all acronyms tofi tim olimpiade fisika indonesia internet nov 3 2023 cited 2023 nov 3 available from allacronyms com tofi tim olimpiade fisika indonesia mhra tofi tim olimpiade fisika indonesia all acronyms 3 november 2023

difraksi tofi tim olimpiade fisika indonesia - May 06 2022

web april 15th 2018 press release tim olimpiade fisika indonesia tim olimpiade fisika indonesia tofi yang membawa lima siswa ke ajang olimpiade fisika internasional international physics olympiad ipho ke 39 di hanoi vietnam berhasil meraih 2 medali emas 2

simetri sinergi mencerdaskan tunas negeri - Sep 22 2023

web tim olimpiade fisika indonesia melanjutkan keberhasilan meraih prestasi membanggakan pada asian physics olympiad apho dengan perolehan 1 medali emas 1 medali perunggu dan 1 honorable mention pada apho ke 23 yang berlangsung di ulaanbaatar mongolia pada 21 29 mei 2023

tim olimpiade fisika indonesia wikipedia bahasa indonesia - Oct 23 2023

web tim olimpiade fisika indonesia atau yang sering disebut tofi adalah sebuah organisasi yang melatih tim tim yang terdiri dari siswa siswi terbaik sekolah menengah atas di indonesia untuk dipersiapkan mewakili indonesia bertanding dalam international physics olympiad dan asian physics olympiad

pdf difraksi tofi tim olimpiade fisika indonesia - May 18 2023

web sma super master osn fisika jan 07 2023 buku super master osn fisika sma seri buku olimpiade disusun untuk membantu anda dalam mempersiapkan diri menghadapi olimpiade fisika sma olimpiade sains nasional osn adalah sejenis lomba keilmuan di bidang sains yang setiap tahun digelar pemerintah indonesia dalam rangka mencari

difraksi tofi tim olimpiade fisika indonesia - Oct 11 2022

web difraksi tofi tim olimpiade fisika indonesia 3 3 algorithms thoroughly revised and expanded nonlinear programming theory and algorithms now in an extensively updated third edition addresses the problem of optimizing an objective function in the presence of equality and inequality constraints many realistic problems

final meslek hastalıkları final ders Özeti aöf dersleri Özetleri - Nov 29 2021

web test Çöz Öğretmen dosyaları editörün seçimi forum search for search button ata aöf meslek hastalıkları final yükleniyor
yükleme uzun mu sürdü yenile yeni

ata aöf meslek hastalıkları final alonot com - Oct 29 2021

medical assistant practice test 2023 100 questions with - Mar 14 2023

web for each multiple choice question listed below read the question and then circle the answer you think is correct under the same number on the answer form after answering

medical assistant certification exam flashcards quizlet - Oct 09 2022

web learn about the cma aama certification exam including eligibility content security ncca accreditation nbme consulting and credential verification

medical assistant final exam review flashcards quizlet - Aug 19 2023

web study with quizlet and memorize flashcards containing terms like whenever necessary every drop and more

medical assistant final exam study questions flashcards - Jun 17 2023

web medical assistant practice exam take this free practice test to see what types of questions appear on a medical assistant certification exam the three most prevalent

nha medical assistant ccma certification - Mar 02 2022

web level 5 healthcare assistant practitioner epa kit section 7 assessing the multiple choice and short answer test multiple choice test sample test and mark scheme

medical assistant 2023 certification exam preparation - Aug 07 2022

web the exam is a computer based test that is comprised of 200 multiple choice questions questions are given in four 40 minute segments with an optional 20 minutes of break

medical assistant test guide tests com - Jul 06 2022

web oct 16 2023 the cma medical assistant exam is used to certify that candidates have the knowledge and skills to perform the duties required of a medical assistant the cma

ccma exam 2023 mometrix test preparation - Apr 03 2022

web nha medical assistant ccma certification practice test 2 0 150 questions 4 2 9 reviews the laboratory report on a patient indicates a hemoglobin

cma aama medical assistant practice test results - Nov 10 2022

web oct 22 2023 kjmedina1 terms in this set 297 what are the 4 parts to a patient s medical history chief complaint cc history of present illness hpi past family and social

medical assistant final exam flashcards quizlet - Apr 15 2023

web dec 27 2022 get ready for your medical assistant certification exam with our 2023 practice test our test includes 100 questions with explanations covering a wide range

aama study for the exam - Dec 11 2022

web our certified medical assistant practice exam is designed to help you study for the aama exam a 200 multiple choice question test it is an intense exam that requires a

medical assistant final exam medical assistant net - Jan 12 2023

web study for the exam exam content outline use the content outline for the cma aama certification exam as a road map for tracking all the exam topics you need to study

medical assistant practice exam updated 2023 - May 16 2023

web a check the patients identification bracelet b call the patient by name c ask the patient to state his or her name d b and c c ask the patient to state his or her name to correctly

certified medical assistant practice test updated 2023 - Jul 18 2023

web study with quizlet and memorize flashcards containing terms like two accrediting bodies for medical assisting training programs are entry level administrative duties for a medical

free cma medical assistant practice tests test guide - Jun 05 2022

web oct 16 2023 our free amt rma sample tests provide you with an opportunity to assess how well you are prepared for the actual test summary try one of our free rma

aama medical terminology questions - Feb 13 2023

web while the final exam covers everything that was taught in class the certification exam covers a broad range of medical assisting areas of knowledge to assure proficiency

level 5 healthcare assistant practitioner highfield qualifications - Feb 01 2022

web ata aöf meslek hastalıkları final ata aöf meslek hastalıkları 1 14 Ünite sonu sorular ata aöf meslek hastalıkları vize ata aöf meslek hastalıkları 8 14 Ünite Özetleri 1 ata aöf

ata aöf meslek hastalıkları Ünite soruları alonot com - Dec 31 2021

web may 8 2019 final meslek hastalıkları final ders Özeti konbuyu başlatan admin başlangıç tarihi 8 mayıs 2019 admin administrator yönetici admin 8 mayıs 2019 1 8

free rma medical assistant practice tests test guide - May 04 2022

web oct 3 2023 ccma exam outline the ccma exam contains 180 multiple choice questions 30 of which do not count toward your score and you are given a time limit of 3

aama about the exam - Sep 08 2022

web medical assistant 2023 certification exam preparation the cma and rma exams are multiple choice exams both exams are 200 questions the questions consist of the

take a medical assistant test practice test for free - Sep 20 2023

web all four medical assistant tests have content that should have been learned during your medical assistant educational courses these exams look at your accumulated

kekse süß salzig köstlich von ilse könig clar buch - Dec 27 2022

web kekse süß salzig köstlich von ilse könig clar buch zustand sehr gut geld sparen nachhaltig shoppen

kekse süß salzig köstlich buchpreis - Mar 30 2023

web finden sie die besten schnäppchen um das buch kekse süß salzig köstlich von ilse könig von brandstätter verlag zu kaufen belletristik biografien erinnerungen

ke xs süß salzig köstlich eat your books - Sep 04 2023

web from ke xs süß salzig köstlich ke by ilse könig and clara monti and inge prader categories cookies biscuits crackers canapés hors d oeuvre ingredients pitted green olives green peppercorns eggs cornmeal dried rosemary dried thyme heavy cream

kekse süss salzig kostlich uniport edu ng - Apr 18 2022

web kekse süss salzig kostlich 2 13 downloaded from uniport edu ng on april 9 2023 by guest simply nigella nigella lawson 2015 10 08 looking for recipes that are uncomplicated relaxed and yet always satisfying nigella has the answer simply nigella is the perfect antidote to our busy lives a calm celebration of

tureng sükse türkçe İngilizce sözlük - Mar 18 2022

web deyim sükse yapmak make a name f 20 deyim sükse yapmak make a name for yourself f İngilizce türkçe online sözlük tureng kelime ve terimleri çevir ve farklı aksanlarda sesli dinleme hit sükse megahit sükse yapan girişim show sükse make a splash ne demek

kekse süss salzig kostlich rjonline org - Oct 25 2022

web kekse süss salzig kostlich kekse süss salzig kostlich 1 downloaded from rjonline org on 2022 03 16 by guest kekse süss salzig kostlich recognizing the pretension ways to get this books kekse süss salzig kostlich is additionally useful you have remained in right site to start getting this info get the kekse süss salzig kostlich associate that we

kekse süß salzig köstlich ilse könig clara amazon de - Aug 03 2023

web kekse süß salzig köstlich ilse könig clara monti inge prader isbn 9783850337694 kostenloser versand für alle bücher mit versand und verkauf duch amazon

ke xs süß salzig köstlich eat your books - Jul 02 2023

web from ke xs süß salzig köstlich ke by ilse könig and clara monti and inge prader categories cookies biscuits crackers canapés hors d oeuvre italian ingredients eggs pine nuts flaked almonds fleur de sel roasted salted pistachio nuts

ke xs süß salzig köstlich eat your books - Apr 30 2023

web from ke xs süß salzig köstlich ke by ilse könig and clara monti and inge prader categories cookies biscuits crackers quick easy afternoon tea italian ingredients all purpose flour eggs egg yolks rum

süß und salzig kekse rezepte chefkoch - Feb 14 2022

web risotto mit steinpilzen und pfifferlingen süß und salzig kekse wir haben 13 beliebte süß und salzig kekse rezepte für dich gefunden finde was du suchst abwechslungsreich einfach jetzt ausprobieren mit chefkoch de

akseki süs doğum günü sünnnet kına düğün ve yılbaşı - May 20 2022

web parti süsleri babyshower süsleri 1 yaş süsleri doğum günü süsleri yılbaşı süsleri kına süsleri sünnnet süsleri doğum günü sünnnet kına düğün ve yılbaşı süsleri çok özel ürünlerle akseki süs de

kekse suss salzig kostlich ncf ec2 west 02 xconvert com - Jan 28 2023

web kekse suss salzig kostlich 3 3 of melissa s favourite tarts celebration cakes loaves biscuits and coffee time treats borne out of her unique style of baking every recipe is a treat taking in deliciously popular italian ingredients like olive oil mascarpone almonds and stunning fresh fruit melissa gives perennial favourites like

kekse süß salzig köstlich by ilse könig cl book condition - Jun 01 2023

web kekse süß salzig köstlich by ilse könig cl book condition very good save money shop sustainably 12 65 buy it now free shipping 30 day returns ebay money back guarantee seller momox uk 433 929 97 location berlin de

kekse suss salzig kostlich analytics mirowin com - Sep 23 2022

web 2 kekse suss salzig kostlich 2023 09 27 a rollicking mystery with an unexpected hero this fully illustrated chapter book continues the adventures of ghoulia a lovable not so scary zombie one dark and stormy night ghoulia s cousin dilbert comes to visit her at crumbling manor she s

süßes gebäck kekse online kaufen rossmann de - Feb 26 2023

web kekse und süßes gebäck so muss das schmecken mit diesen keksen und süßen gebäck variationen da schmeckt sogar der alltag von leckeren vollkorn keksen bis hin zu fruchtigem süßgebäck die auswahl ist riesig kleine und große naschkatzen genießen eine große auswahl bei rossmann und werden garantiert fündig jetzt kaufen

sütsüz kek tarifleri 10 yumuşacık ve nefis kek tarifi yemek com - Aug 23 2022

web nov 8 2019 sütsüz kek sütsüz kek tarifi hatırlatalım içinde süt olmaması bir kekin yumuşacık olmasının önünde bir engel değil su sıvı yağ ve soda varsa sütsüz ama kocaman kabaran bir kek için kollarınızı sıvamaya

kekse süß salzig köstlich tapa dura amazon es - Nov 25 2022

web kekse süß salzig köstlich ilse könig clara monti inge prader amazon es libros

kekse suss salzig kostlich test thelyst com - Jun 20 2022

web 2 kekse suss salzig kostlich 2021 02 06 süß und glutenfrei backen präsentieren sie nun rezepte für alle naschkatzen mit glutenintolera nz die den originalen in nichts nachstehen ob kekse törtchen krapfen kuchen oder torten alle rezepte wurden mit viel liebe geduld und hingabe entwickelt getestet und überarbeitet bis die

sütsüz portakallı kek nefis yemek tarifleri - Jul 22 2022

web feb 14 2016 portakalların suyunu sıkıp bir tanesinin kabuğunu ince rendeyle rendeleyelim Şekerle yumurtayı

koyulaşınca kadar çırpalım koyulaşınca portakal suyunu ve sıvı yağı karıştıralım portakal kabuğunu koyalım ve unu azar

azar koyarak karıştıralım kek kalıbını yağlayıp unlayalım ve karışımı boşaltalım

kekse süß und salzig rezepte chefkoch - Oct 05 2023

web kekse süß und salzig wir haben 13 leckere kekse süß und salzig rezepte für dich gefunden finde was du suchst lecker genial jetzt ausprobieren mit chefkoch de