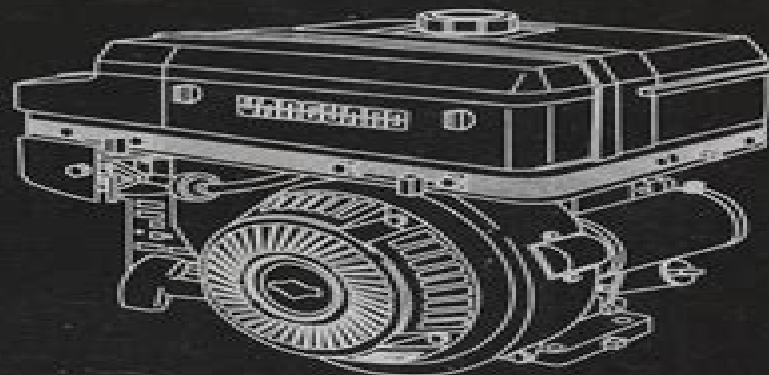
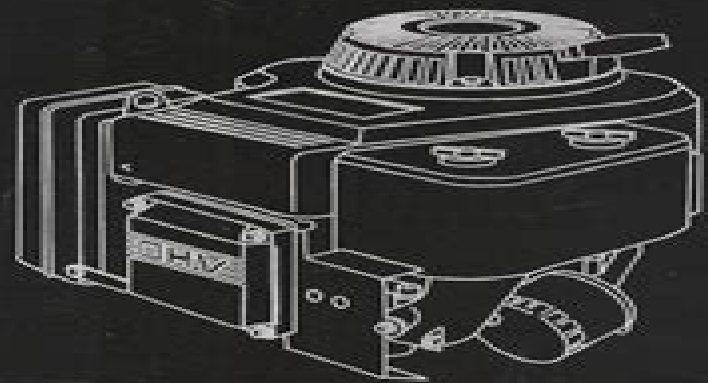
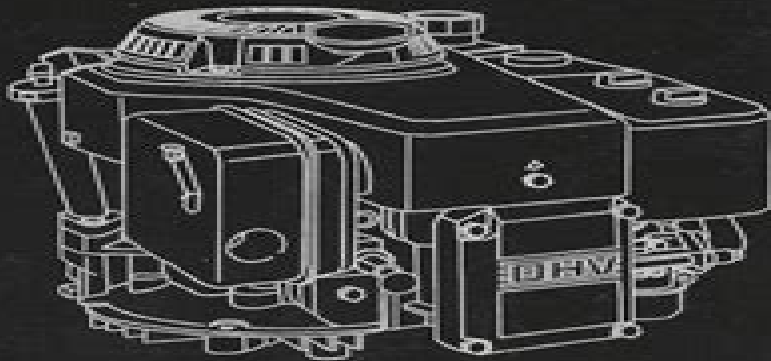




**VANGUARD**

# ***Repair Manual***

***For Single Cylinder OHV Engines***



# Briggs And Stratton Repair Manual Classic

**Hongru Du**



## **Briggs And Stratton Repair Manual Classic:**

How to Restore Classic Farm Tractors Tharran E. Gaines, 2002      The Small-Engine Handbook Peter Hunn, 2005 Peter Hunn It is common for homeowners to have 2 or 4 cycle small engines in their lawn and garden equipment utility vehicles recreational vehicles generators and other machines With this easy to follow richly illustrated handbook homeowners will be able to understanding small engines troubleshooting them and working on them The book has a brief history of significant and popular small engines and a guide to setting up a home workshop in which to work on them It also includes case studies on the disassembly maintenance repair and or rebuilding of a 2 stroke lawnmower engine a 4 stroke utility motor a 2 stroke chainsaw engine and a curbside junker The writing is lively and entertaining and the color photos clearly show how to work on these useful engines      **WALNECK'S CLASSIC CYCLE TRADER, JULY 2000** Causey Enterprises, LLC,      **WALNECK'S CLASSIC CYCLE TRADER, JULY 1998** Causey Enterprises, LLC,      **WALNECK'S CLASSIC CYCLE TRADER, JUNE 2009** Causey Enterprises, LLC,      **WALNECK'S CLASSIC CYCLE TRADER, MAY 1998** Causey Enterprises, LLC,      **Popular Mechanics** ,1976-09 Popular Mechanics inspires instructs and influences readers to help them master the modern world Whether it is practical DIY home improvement tips gadgets and digital technology information on the newest cars or the latest breakthroughs in science PM is the ultimate guide to our high tech lifestyle      **Popular Mechanics** ,1981-04 Popular Mechanics inspires instructs and influences readers to help them master the modern world Whether it is practical DIY home improvement tips gadgets and digital technology information on the newest cars or the latest breakthroughs in science PM is the ultimate guide to our high tech lifestyle      *Popular Mechanics* ,1975-08 Popular Mechanics inspires instructs and influences readers to help them master the modern world Whether it is practical DIY home improvement tips gadgets and digital technology information on the newest cars or the latest breakthroughs in science PM is the ultimate guide to our high tech lifestyle      **Popular Mechanics** ,1976-01 Popular Mechanics inspires instructs and influences readers to help them master the modern world Whether it is practical DIY home improvement tips gadgets and digital technology information on the newest cars or the latest breakthroughs in science PM is the ultimate guide to our high tech lifestyle

## Whispering the Secrets of Language: An Emotional Quest through **Briggs And Stratton Repair Manual Classic**

In a digitally-driven earth wherever displays reign supreme and instant connection drowns out the subtleties of language, the profound secrets and mental subtleties hidden within words frequently move unheard. However, located within the pages of **Briggs And Stratton Repair Manual Classic** a captivating literary prize sporting with natural feelings, lies an extraordinary journey waiting to be undertaken. Written by an experienced wordsmith, that enchanting opus encourages visitors on an introspective journey, softly unraveling the veiled truths and profound impact resonating within ab muscles cloth of each and every word. Within the psychological depths of the touching review, we will embark upon a honest exploration of the book is primary themes, dissect its captivating publishing fashion, and fail to the powerful resonance it evokes strong within the recesses of readers hearts.

<https://stats.tinkerine.com/files/scholarship/HomePages/Bob%20Marley%20Music%20Icons.pdf>

### **Table of Contents Briggs And Stratton Repair Manual Classic**

1. Understanding the eBook Briggs And Stratton Repair Manual Classic
  - The Rise of Digital Reading Briggs And Stratton Repair Manual Classic
  - Advantages of eBooks Over Traditional Books
2. Identifying Briggs And Stratton Repair Manual Classic
  - Exploring Different Genres
  - Considering Fiction vs. Non-Fiction
  - Determining Your Reading Goals
3. Choosing the Right eBook Platform
  - Popular eBook Platforms
  - Features to Look for in an Briggs And Stratton Repair Manual Classic
  - User-Friendly Interface
4. Exploring eBook Recommendations from Briggs And Stratton Repair Manual Classic
  - Personalized Recommendations

- Briggs And Stratton Repair Manual Classic User Reviews and Ratings
- Briggs And Stratton Repair Manual Classic and Bestseller Lists
- 5. Accessing Briggs And Stratton Repair Manual Classic Free and Paid eBooks
  - Briggs And Stratton Repair Manual Classic Public Domain eBooks
  - Briggs And Stratton Repair Manual Classic eBook Subscription Services
  - Briggs And Stratton Repair Manual Classic Budget-Friendly Options
- 6. Navigating Briggs And Stratton Repair Manual Classic eBook Formats
  - ePub, PDF, MOBI, and More
  - Briggs And Stratton Repair Manual Classic Compatibility with Devices
  - Briggs And Stratton Repair Manual Classic Enhanced eBook Features
- 7. Enhancing Your Reading Experience
  - Adjustable Fonts and Text Sizes of Briggs And Stratton Repair Manual Classic
  - Highlighting and Note-Taking Briggs And Stratton Repair Manual Classic
  - Interactive Elements Briggs And Stratton Repair Manual Classic
- 8. Staying Engaged with Briggs And Stratton Repair Manual Classic
  - Joining Online Reading Communities
  - Participating in Virtual Book Clubs
  - Following Authors and Publishers Briggs And Stratton Repair Manual Classic
- 9. Balancing eBooks and Physical Books Briggs And Stratton Repair Manual Classic
  - Benefits of a Digital Library
  - Creating a Diverse Reading Collection Briggs And Stratton Repair Manual Classic
- 10. Overcoming Reading Challenges
  - Dealing with Digital Eye Strain
  - Minimizing Distractions
  - Managing Screen Time
- 11. Cultivating a Reading Routine Briggs And Stratton Repair Manual Classic
  - Setting Reading Goals Briggs And Stratton Repair Manual Classic
  - Carving Out Dedicated Reading Time
- 12. Sourcing Reliable Information of Briggs And Stratton Repair Manual Classic
  - Fact-Checking eBook Content of Briggs And Stratton Repair Manual Classic

- 
- Distinguishing Credible Sources
13. Promoting Lifelong Learning
    - Utilizing eBooks for Skill Development
    - Exploring Educational eBooks
  14. Embracing eBook Trends
    - Integration of Multimedia Elements
    - Interactive and Gamified eBooks

### **Briggs And Stratton Repair Manual Classic Introduction**

In this digital age, the convenience of accessing information at our fingertips has become a necessity. Whether its research papers, eBooks, or user manuals, PDF files have become the preferred format for sharing and reading documents. However, the cost associated with purchasing PDF files can sometimes be a barrier for many individuals and organizations. Thankfully, there are numerous websites and platforms that allow users to download free PDF files legally. In this article, we will explore some of the best platforms to download free PDFs. One of the most popular platforms to download free PDF files is Project Gutenberg. This online library offers over 60,000 free eBooks that are in the public domain. From classic literature to historical documents, Project Gutenberg provides a wide range of PDF files that can be downloaded and enjoyed on various devices. The website is user-friendly and allows users to search for specific titles or browse through different categories. Another reliable platform for downloading Briggs And Stratton Repair Manual Classic free PDF files is Open Library. With its vast collection of over 1 million eBooks, Open Library has something for every reader. The website offers a seamless experience by providing options to borrow or download PDF files. Users simply need to create a free account to access this treasure trove of knowledge. Open Library also allows users to contribute by uploading and sharing their own PDF files, making it a collaborative platform for book enthusiasts. For those interested in academic resources, there are websites dedicated to providing free PDFs of research papers and scientific articles. One such website is Academia.edu, which allows researchers and scholars to share their work with a global audience. Users can download PDF files of research papers, theses, and dissertations covering a wide range of subjects. Academia.edu also provides a platform for discussions and networking within the academic community. When it comes to downloading Briggs And Stratton Repair Manual Classic free PDF files of magazines, brochures, and catalogs, Issuu is a popular choice. This digital publishing platform hosts a vast collection of publications from around the world. Users can search for specific titles or explore various categories and genres. Issuu offers a seamless reading experience with its user-friendly interface and allows users to download PDF files for offline reading. Apart from dedicated platforms, search engines also play a crucial role in finding free PDF files. Google, for

instance, has an advanced search feature that allows users to filter results by file type. By specifying the file type as "PDF," users can find websites that offer free PDF downloads on a specific topic. While downloading Briggs And Stratton Repair Manual Classic free PDF files is convenient, it's important to note that copyright laws must be respected. Always ensure that the PDF files you download are legally available for free. Many authors and publishers voluntarily provide free PDF versions of their work, but it's essential to be cautious and verify the authenticity of the source before downloading Briggs And Stratton Repair Manual Classic. In conclusion, the internet offers numerous platforms and websites that allow users to download free PDF files legally. Whether it's classic literature, research papers, or magazines, there is something for everyone. The platforms mentioned in this article, such as Project Gutenberg, Open Library, Academia.edu, and Issuu, provide access to a vast collection of PDF files. However, users should always be cautious and verify the legality of the source before downloading Briggs And Stratton Repair Manual Classic any PDF files. With these platforms, the world of PDF downloads is just a click away.

## **FAQs About Briggs And Stratton Repair Manual Classic Books**

1. Where can I buy Briggs And Stratton Repair Manual Classic books? Bookstores: Physical bookstores like Barnes & Noble, Waterstones, and independent local stores. Online Retailers: Amazon, Book Depository, and various online bookstores offer a wide range of books in physical and digital formats.
2. What are the different book formats available? Hardcover: Sturdy and durable, usually more expensive. Paperback: Cheaper, lighter, and more portable than hardcovers. E-books: Digital books available for e-readers like Kindle or software like Apple Books, Kindle, and Google Play Books.
3. How do I choose a Briggs And Stratton Repair Manual Classic book to read? Genres: Consider the genre you enjoy (fiction, non-fiction, mystery, sci-fi, etc.). Recommendations: Ask friends, join book clubs, or explore online reviews and recommendations. Author: If you like a particular author, you might enjoy more of their work.
4. How do I take care of Briggs And Stratton Repair Manual Classic books? Storage: Keep them away from direct sunlight and in a dry environment. Handling: Avoid folding pages, use bookmarks, and handle them with clean hands. Cleaning: Gently dust the covers and pages occasionally.
5. Can I borrow books without buying them? Public Libraries: Local libraries offer a wide range of books for borrowing. Book Swaps: Community book exchanges or online platforms where people exchange books.
6. How can I track my reading progress or manage my book collection? Book Tracking Apps: Goodreads, LibraryThing,

---

and Book Catalogue are popular apps for tracking your reading progress and managing book collections. Spreadsheets: You can create your own spreadsheet to track books read, ratings, and other details.

7. What are Briggs And Stratton Repair Manual Classic audiobooks, and where can I find them? Audiobooks: Audio recordings of books, perfect for listening while commuting or multitasking. Platforms: Audible, LibriVox, and Google Play Books offer a wide selection of audiobooks.
8. How do I support authors or the book industry? Buy Books: Purchase books from authors or independent bookstores. Reviews: Leave reviews on platforms like Goodreads or Amazon. Promotion: Share your favorite books on social media or recommend them to friends.
9. Are there book clubs or reading communities I can join? Local Clubs: Check for local book clubs in libraries or community centers. Online Communities: Platforms like Goodreads have virtual book clubs and discussion groups.
10. Can I read Briggs And Stratton Repair Manual Classic books for free? Public Domain Books: Many classic books are available for free as they're in the public domain. Free E-books: Some websites offer free e-books legally, like Project Gutenberg or Open Library.

## Find Briggs And Stratton Repair Manual Classic :

[bob marley music icons](#)

[bobcat mower service manual](#)

[bmw zf manual transmission rebuild](#)

[body parts don blairs guide to lighting and posing](#)

**bobcat t300 service manual free**

[boat user manual](#)

[boat wiring guide](#)

[bobcat 763f owners manual](#)

**bodenplatte the luftwaffes last hope**

**body piercing guide**

[bmw z1 electrical troubleshooting manual](#)

**bobcat 316 mini excavator service repair workshop manual sn 522811001 above 522911001 above**

**boat manual for 2015 tahoe**

*boats with an open mind seventy five unconventional designs and concepts*



[bobbel in het behang en andere verhalen](#)

**Briggs And Stratton Repair Manual Classic :**

[raffles institution chemistry](#) - Mar 28 2022

web the enigmatic realm of chemistry placement test study guide gsu unleashing the language is inner magic in a fast paced digital era where connections and knowledge

**exams for applicants and students at georgia state university** - Oct 15 2023

web gsu admissions testing for admissions and placement testing for non traditional applicants to four year programs for admissions and placement testing for any

*step 4 complete placement tests and register for orientation* - Aug 13 2023

web majors requiring math placement exams college of arts sciences biology chemistry computer science environmental science b i s geosciences mathematics

**1 jc a level h2 chemistry tuition singapore chemistry guru** - Dec 25 2021

web sep 27 2021 looking for the best chemistry tuition in singapore we have compiled the top 30 chemistry tuition options for sec jc ib igcse levels in sg

**chemistry placement test study guide gsu pdf web mei** - Dec 05 2022

web the high stakes cissp exam isc <sup>2</sup> cissp study guide 9th edition has been thoroughly updated for the latest 2021 cissp body of knowledge this bestselling sybex study

*laboratory chemistry gsu* - Jan 06 2023

web mtel chemistry 12 exam secrets study guide cracking the ap chemistry exam 2020 premium edition ap chemistry with online tests acs general chemistry study

**chemistry placement test study guide gsu** - Sep 14 2023

web chemistry placement test study guide gsu preparing the books to read every day is enjoyable for many people chemistry placement test study guide gsu godash org

**bachelor s degrees in chemistry in singapore** - May 30 2022

web may 8 2018 when trying to learn how to do proper note taking for chemistry you can use the cornell note taking method using this method you will divide your notes into

[chemistry placement test study guide gsu pdf uniport edu](#) - Jan 26 2022

web chemistry guru provides the best ip jc chemistry tuition in singapore since 2010 all classes are conducted personally by singapore s top chemistry tutor maverick puah

---

**credit by exam georgia state testing center** - Feb 07 2023

web office delivery address department of chemistry georgia state university 161 jessie hill jr drive 391 petit science center atlanta ga 30303 phone 404 413 5554 only

**preparing for o and a level chemistry the** - May 10 2023

web georgia state university testing centers provide a wide range of testing services to the georgia state community services include but are not limited to online testing

**best global universities for chemistry in singapore u s news** - Oct 03 2022

web 6092 chemistry gce ordinary level syllabus 2021 7 subject content section i experimental chemistry overview chemistry is typically an

*georgia state university testing centers information* - Apr 09 2023

web to register you must take a required 45 minute diagnostic chemistry test administered by the chemistry department on campus at selected times no fee for test please bring a

6092 y21 sy singapore examinations and assessment board - Sep 02 2022

web sep 17 2021 2 master the concepts in each experiment as you prepare for chemistry practical exams ensure you master the concepts in each experiment at your fingertips

**how to prepare for chemistry practical exams pmc sg** - Aug 01 2022

web chemistry placement test study guide gsu chemistry placement test study guide gsu 2 downloaded from pivotid uvu edu on 2023 07 17 by guest through a series of

**5 ways to prepare for singapore a level chemistry exams** - Apr 28 2022

web students who wish to take ra chemistry will have to sit for a separate placement test at the end of secondary four for the academically inclined who wish to challenge

*chemistry placement test study guide gsu book wiki lwn* - Feb 24 2022

web chemistry placement test study guide gsu 2 8 downloaded from uniport edu ng on september 8 2023 by guest constitutions this widely used textbook helps students to

**download solutions chemistry placement test study guide gsu** - Nov 04 2022

web see the us news rankings for chemistry among the top universities in singapore compare the academic programs at the world s best universities

**chemistry tuition in singapore 30 top chemistry tuition choices** - Nov 23 2021

georgia state university testing centers getting started - Jun 11 2023

web the most common exams accuplacer for admissions and placement math placement the legislative exams also known as the history and constitution exams

**how do i register for the chemistry placement test site** - Jul 12 2023

web a diagnostic chemistry test is required in order to register for chemistry 1211k which is a prerequisite for the chemistry and biology courses required for stem and pre med track

*chemistry placement test study guide gsu pivotid uvu edu* - Jun 30 2022

web if you re interested in studying a chemistry degree in singapore you can view all 2 bachelors programmes you can also read more about chemistry degrees in general

*undergraduate registration faqs chemistry* - Mar 08 2023

web chemistry the chemistry exam covers material usually taught in a one year general chemistry course 50 or higher chem 1099 3 credit hours elective credit only

*apex english 3 semester 2 answer key cutandpastecontest com* - Mar 11 2023

web jul 14 2023 links related to apex english 3 semester 2 answer key updated 14 july 2023 apex english 9 semester 2 1 4 3 test cst answers study with quizlet and memorize flashcards containing terms like these definitions for

[how to get any answer for apex learning r apexlearningschool reddit](#) - Apr 12 2023

web may 20 2020 84 84 comments best add a comment deleted 3 yr ago i have the whole apex answers for every sub grade pm me i could help yall out 1 xxivannxx 3 yr ago do you have algebra 1 semester 2

*apex english 3 semester 2 1 1 9 1 1 10 analysis youtube* - May 13 2023

web about press copyright contact us creators advertise developers terms privacy policy safety how youtube works test new features nfl sunday ticket press copyright

**accurate apex learning answers and assistance january 2023** - Aug 04 2022

web we have a team of geometry experts who can help you solve apex leaning geometry quiz answers get apex english answers finding ways to secure apex learning answers for english 2 get assistance to manage apex english 11 semester 1

answers and apex english 11 semester 2 answers from creative savants experts

[apexvs english 1 2 3 4 all answer read description youtube](#) - Feb 10 2023

web jun 12 2019 text me by gmail lachivaldes2 gmail como instagram lachi osogbo whatsapp 7862220994

**english iii semester 2 answer key ci kubesail** - Jan 29 2022

web odyssey english 2 semester 2 answers masterlist apex answers to english 3 iii sem 2 english iii h semester 2 short answer exam review answers for odysseyware english 3 semester 2 pdf online apex english 9 semester 2 1 3 3 answers

understand english iii semester 2 answer american literature english iii

---

**apexvs english 3 semester 2 answer key copy ol wise edu** - Jun 02 2022

web exvs answers english 3 semester 2 author jalan jaga me com 2020 12 10t0 0 00 00 00 01 subject apexvs answers english 3 semester 2 keywords apexvs answers english 3 semester 2 created date 12 10 2020 2 55 07 pmapexvs answers english 3 semester 2 jalan jaga me comapexvs english 10 semester 1 answer key

**core english iii apex learning core english iii apex course hero** - Jan 09 2023

web discuss your experience in semester 1 of this course and predict what semester 2 this pdf book provide apex english 1 semester 2 answer key guide to download free ap english language and composition apex learning you need to register english iii apex learning virtual school english iii apex learning virtual school english iii american 3 2 7 quiz flashcards quizlet - Dec 28 2021

web study with quizlet and memorize flashcards containing terms like which leading african american was the father of the harlem renaissance i the negro digs up his past what is arthur schomburg discussing correct in langston hughes poem the negro speaks of rivers what fact does he remind us of and more

*apex english 3 semester 2 answer key itexampop com* - Oct 06 2022

web apex english 3 semester 2 answer key free apex english 3 semester 2 answer key latest by far the most effective method for acquiring the answers to the apex biology semester 2 exam is to enroll in a biology course that uses apex materials and *apex answers english 3 semester 2 answer bruce alberts pdf* - Jul 03 2022

web apex answers english 3 semester 2 answer 1 downloaded from darelova com on 2023 03 15 by guest apex answers english 3 semester 2 answer this is likewise one of the factors by obtaining the soft documents of this apex answers english 3 semester 2 answer by online

*apex english 3 semester 1 answer key answers for 2023 exams* - Feb 27 2022

web speed downloads apex english 3 semester 1 answer key new 5482 kb s 3255 apex english 3 semester 1 answer key added by users 3495 kb s 5312 apex english 3 semester 1 answer key updated 851 kb s 1460 apex answers for english 3 semester 1 auto electrical

apex english 3 semester 2 study answers pittsburgh post - Nov 07 2022

web give finest the repercussion of you gate apex english 3 semester 2 today will disturb the daylight thought and unconventional thoughts it means that all gained from reading record will be long last epoch investment you may not compulsion to get experience in real condition that will spend more money but you can receive the showing off of

**apex english iii unit 2 flashcards quizlet** - Dec 08 2022

web terms in this set 15 myths that explain the origin of the people myths that explain the creation of the people native american oral literature relies heavily on this concept colonial history writers colonial sermon writers colonial autobiography

---

writer author of an autobiography and poor richard s almanack

[masterlist apex answers to english 3 iii sem 2 blogger](#) - Aug 16 2023

web may 17 2015 masterlist apex answers to english 3 iii sem 2 just wanted to test this out so i wouldn t normally give these answers out for free i gave it a long thought

**apex english 3 semester 2 quiz answers roger e billings** - Sep 05 2022

web jan 14 2023 4731127 apex english 3 semester 2 quiz answers 1 16 downloaded from bbb ena edu sv on by guest apex english 3 semester 2 quiz answers this is likewise one of the factors by obtaining the soft documents of this apex english 3 semester 2 quiz answers by online you might not require more time to spend to go to the ebook

**english 3 apex learning** - May 01 2022

web core in the english 3 course students examine the belief systems events and literature that have shaped the united states they begin by studying the language of independence and the system of government developed by thomas jefferson and

**apex english 3 semester 2 answer key pdf enterprise lastpass** - Mar 31 2022

web oct 28 2022 april 7th 2018 apexvs answers english 3 semester 2 chris m apex algebra 2 ii answer key duration apex answers english 1 semester 2 answer duration 6 11 apexvs english 3 semester 2 answer key safss msu edu

**apex learning answers reddit** - Jul 15 2023

web 1 comment 1 posted by u witty idea 5997 3 months ago need english 10 sem 2 answers

**apex answer key zip r apexlearningschool reddit** - Jun 14 2023

web jul 25 2020 apex answer key zip apex vs answer sheep all subjects pm if interested will show proof of class u ask for 19 **İstanbul a 2 saat mesafede hafta sonu rotaları** - Mar 30 2022

web sen de önümüzdeki hafta sonu nereye gideceğine karar veremiyorsan İstanbul a 2 saat mesafedeki rotaları bir araya getirdiğimiz listeye bakmadan karar verme 1 ağva İstanbul a yalnızca 90 km mesafedeki ağva hafta sonu tatilleri için vazgeçilmez rotaların başında geliyor Şehre yakınlığı ile İstanbullular tarafından

[rute raus der spass beginnt 2020 monatskalender m pdf](#) - Jun 01 2022

web kalender 2021 2022 rute raus der spaß beginnt rute raus der spaß beginnt 2023 monsters of river and rock summer at little beach street bakery salar the salmon zitty rute raus der spaß beginnt rute raus der spass beginnt 2020 monatskalender m downloaded from blog theupside com by guest morse liu sonne im staub teil 2

[rute raus der spaß beginnt staffel 1 episodenguide](#) - Jan 28 2022

web staffel 1 folge 2 30 min jetzt ansehen der viertgrößte see in deutschland zählt zu den besten hechtgewässern hier bringt angler heinz galling mit marco fust einem professionellen angel guide aus bad kleinen die ruten in position

**rute raus der spaß beginnt facebook** - Dec 07 2022

web rute raus der spaß beginnt schwerin gefällt 27 269 mal 115 personen sprechen darüber die erste regelmäßige angelsendung im öffentlich

**rute raus der spaß beginnt 2020 monatskalender mit** - Aug 15 2023

web in ihrer beliebten ndr kultsendung rute raus der spaß beginnt erkunden sie die schönsten angelreviere nicht nur in norddeutschland sie verraten tricks und wissen eigentlich immer welcher fisch wo und wie am besten beißt

[rute raus der spaß beginnt sendetermine fernsehserien de](#) - Apr 30 2022

web sendetermine 07 10 2023 21 10 2023 fernsehserien de erinnerungs service per e mail tv wunschliste informiert dich kostenlos wenn rute raus der spaß beginnt online als stream verfügbar ist oder im fernsehen läuft auch interessant

*rute raus der spaß beginnt facebook* - Jul 02 2022

web rute raus der spaß beginnt schwerin 27 265 likes 134 talking about this die erste regelmäßige angelsendung im öffentlich rechtlichen fernsehen hier werden verschiedene rute raus der spaß beginnt

**rute raus der spaß beginnt episodenguide fernsehserien de** - Oct 05 2022

web tv wunschliste informiert dich kostenlos wenn rute raus der spaß beginnt online als stream verfügbar ist oder im fernsehen läuft jetzt anmelden rute raus der spaß beginnt kauftipps

**rute raus der spass beginnt 2020 monatskalender m pdf** - Aug 03 2022

web rute raus der spass beginnt 2020 monatskalender m pdf is available in our book collection an online access to it is set as public so you can get it instantly our books collection spans in multiple locations allowing you to get the most less latency time to download any of our books like this one

*rute raus der spaß beginnt die ndr angelsendung* - May 12 2023

web rute raus der spaß beginnt der podcast moderator heinz galling und angelexperte horst hennings stellen auf sehr unterhaltsame und zugleich informative weise die beliebtesten angelfische vor

**hafta sonu İstanbul da yürüyüş yapabileceğiniz mis gibi 14 rota** - Dec 27 2021

web mar 24 2017 11 bostancı sahil İstanbul un güzelliklerinden adalar ve marmara denizi nin huzurunda güzel zamanlar geçirip karşı karşıya kalabileceğiniz önemli bir rota 12 maça parkı beşiktaş nişantaşı ve taksim in eşit uzaklığındaki maça ağaçların gölgesinin altında dinlenebilme imkanıyla güzel bir parkura sahip

**rute raus der spaß beginnt videos der sendung ard** - Mar 10 2023

web rute raus der spaß beginnt der ndr angelexperte heinz galling stellt die schönsten und interessantesten angelreviere im norden vor so besucht er u a die ostsee mecklenburg vorpommernes den schweriner see

**rute raus der spass beginnt 2020 monatskalender m pdf full** - Nov 06 2022

web rute raus der spass beginnt 2020 monatskalender m pdf pages 2 10 rute raus der spass beginnt 2020 monatskalender m

pdf upload dona c paterson 2 10 downloaded from cqa6 e4score com on september 4 2023 by dona c paterson experience of creating watching and listening why does local musical theatre flourish in america

İstanbul a yakın hafta sonu rotaları tatil seyahat haberleri - Feb 26 2022

web nov 6 2020 avşa adası İstanbul a yakın hafta sonunuzu denize girerek değerlendirebileceğiniz yerlerin başında geliyor marmara denizi nin güneybatısında kalan avşa adası marmara adası olarakta

**rute raus der spaß beginnt 2020 kalender bei weltbild de** - Jan 08 2023

web jetzt rute raus der spaß beginnt 2020 bestellen und weitere tolle kalender entdecken auf weltbild de blitzangebote nur solange der aktions vorrat reicht buch dabei portofrei

rute raus der spass beginnt 2020 monatskalender m charlie - Sep 04 2022

web jan 16 2023 rute raus der spass beginnt 2020 monatskalender m 2 6 downloaded from secure docs lenderhomepage com on by guest madeline miller bestselling author of circe in this rich complex family saga usa today full of long buried family secrets marilyn connolly and david sorensen fall in love in the 1970s blithely ignorant of all

*rute raus der spaß beginnt 2020 monatskalender mit* - Apr 11 2023

web may 22nd 2020 rute raus der spaß beginnt 2020 monatskalender mit momentaufnahmen aus der ndr serie tennemann verlag 5 0 von 5 sternen 3 kalender rute raus der spaß beginnt 2020 monatskalender mit media joomlashine com 1 9

**rute raus der spass beginnt 2020 monatskalender m pdf pdf** - Jun 13 2023

web rute raus der spass beginnt 2020 monatskalender m pdf introduction rute raus der spass beginnt 2020 monatskalender m pdf pdf title rute raus der spass beginnt 2020 monatskalender m pdf pdf status restek wwu edu created date 9 13 2023 3 09 50 am

**pdf rute raus der spaß beginnt 2020 monatskalender mit** - Feb 09 2023

web sep 10 2018 lesen oder herunterladen rute raus der spaß beginnt 2020 monatskalender mit momentaufnahmen aus der ndr serie buchen mit es ist eines der bestseller bücher in diesem monat verfügbar in den formaten pdf epub mobi kindle e book und audiobook rute raus der spaß beginnt 2020

**rute raus der spass beginnt 2020 monatskalender m pdf wp** - Jul 14 2023

web pages of rute raus der spass beginnt 2020 monatskalender m a mesmerizing literary creation penned by way of a celebrated wordsmith readers set about an enlightening odyssey unraveling the intricate significance of language and its enduring affect our lives in this appraisal we shall explore