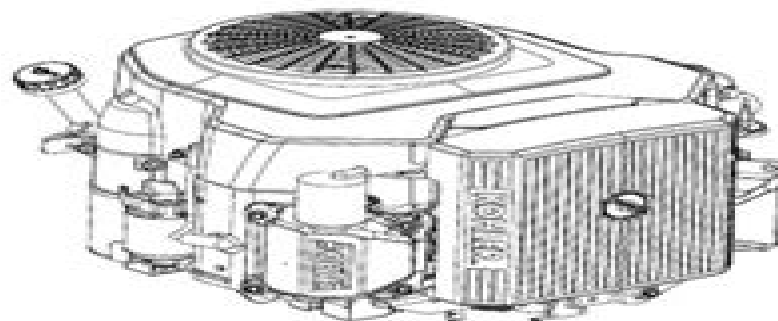
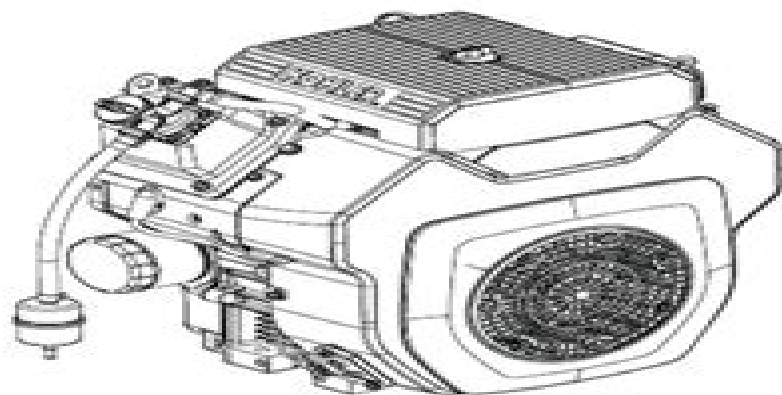


KOHLER® Command®

CH18-CH23, CH620-CH740, CH750
CV18-CV23, CV620-CV740, CV750
Owner's Manual



IMPORTANT:

Read all safety precautions and instructions carefully before operating equipment. Refer to operating instruction of equipment that this engine powers.

Ensure engine is stopped and level before performing any maintenance or service.

Warranty coverage as outlined in the warranty card and on KohlerEngines.com. Please review carefully as it provides you specific rights and obligations.

Record engine information to reference when ordering parts or obtaining warranty coverage.

Engine Model _____
Specification _____
Serial Number _____
Purchase Date _____

Associated 1 34 18hp Engine Operators Manual

Marcel A. Müller



Associated 1 34 18hp Engine Operators Manual:

Motor Age ,1917 Popular Mechanics ,1911-01 Popular Mechanics inspires instructs and influences readers to help them master the modern world Whether it s practical DIY home improvement tips gadgets and digital technology information on the newest cars or the latest breakthroughs in science PM is the ultimate guide to our high tech lifestyle **Fleet Owner** ,1992 *The American Blacksmith* ,1914 **Motor Cycling and Motoring** ,1913 **Prairie Farmer** ,1915 **Popular Mechanics** ,1912 The Autocar ,1912 General Technical Report INT. ,1988 *Concepts and Interpreted Examples in Advanced Fuel Modeling* Robert E. Burgan,1987

Getting the books **Associated 1 34 18hp Engine Operators Manual** now is not type of inspiring means. You could not and no-one else going as soon as book addition or library or borrowing from your associates to log on them. This is an unconditionally easy means to specifically acquire guide by on-line. This online revelation **Associated 1 34 18hp Engine Operators Manual** can be one of the options to accompany you in the same way as having additional time.

It will not waste your time. give a positive response me, the e-book will unconditionally appearance you supplementary concern to read. Just invest tiny times to gate this on-line broadcast **Associated 1 34 18hp Engine Operators Manual** as without difficulty as review them wherever you are now.

https://stats.tinkerine.com/book/virtual-library/index.jsp/biocontrol_lab_manual.pdf

Table of Contents Associated 1 34 18hp Engine Operators Manual

1. Understanding the eBook Associated 1 34 18hp Engine Operators Manual
 - The Rise of Digital Reading Associated 1 34 18hp Engine Operators Manual
 - Advantages of eBooks Over Traditional Books
2. Identifying Associated 1 34 18hp Engine Operators Manual
 - Exploring Different Genres
 - Considering Fiction vs. Non-Fiction
 - Determining Your Reading Goals
3. Choosing the Right eBook Platform
 - Popular eBook Platforms
 - Features to Look for in an Associated 1 34 18hp Engine Operators Manual
 - User-Friendly Interface
4. Exploring eBook Recommendations from Associated 1 34 18hp Engine Operators Manual
 - Personalized Recommendations
 - Associated 1 34 18hp Engine Operators Manual User Reviews and Ratings
 - Associated 1 34 18hp Engine Operators Manual and Bestseller Lists

5. Accessing Associated 1 34 18hp Engine Operators Manual Free and Paid eBooks
 - Associated 1 34 18hp Engine Operators Manual Public Domain eBooks
 - Associated 1 34 18hp Engine Operators Manual eBook Subscription Services
 - Associated 1 34 18hp Engine Operators Manual Budget-Friendly Options
6. Navigating Associated 1 34 18hp Engine Operators Manual eBook Formats
 - ePub, PDF, MOBI, and More
 - Associated 1 34 18hp Engine Operators Manual Compatibility with Devices
 - Associated 1 34 18hp Engine Operators Manual Enhanced eBook Features
7. Enhancing Your Reading Experience
 - Adjustable Fonts and Text Sizes of Associated 1 34 18hp Engine Operators Manual
 - Highlighting and Note-Taking Associated 1 34 18hp Engine Operators Manual
 - Interactive Elements Associated 1 34 18hp Engine Operators Manual
8. Staying Engaged with Associated 1 34 18hp Engine Operators Manual
 - Joining Online Reading Communities
 - Participating in Virtual Book Clubs
 - Following Authors and Publishers Associated 1 34 18hp Engine Operators Manual
9. Balancing eBooks and Physical Books Associated 1 34 18hp Engine Operators Manual
 - Benefits of a Digital Library
 - Creating a Diverse Reading Collection Associated 1 34 18hp Engine Operators Manual
10. Overcoming Reading Challenges
 - Dealing with Digital Eye Strain
 - Minimizing Distractions
 - Managing Screen Time
11. Cultivating a Reading Routine Associated 1 34 18hp Engine Operators Manual
 - Setting Reading Goals Associated 1 34 18hp Engine Operators Manual
 - Carving Out Dedicated Reading Time
12. Sourcing Reliable Information of Associated 1 34 18hp Engine Operators Manual
 - Fact-Checking eBook Content of Associated 1 34 18hp Engine Operators Manual
 - Distinguishing Credible Sources
13. Promoting Lifelong Learning

- Utilizing eBooks for Skill Development
 - Exploring Educational eBooks
14. Embracing eBook Trends
- Integration of Multimedia Elements
 - Interactive and Gamified eBooks

Associated 1 34 18hp Engine Operators Manual Introduction

In the digital age, access to information has become easier than ever before. The ability to download Associated 1 34 18hp Engine Operators Manual has revolutionized the way we consume written content. Whether you are a student looking for course material, an avid reader searching for your next favorite book, or a professional seeking research papers, the option to download Associated 1 34 18hp Engine Operators Manual has opened up a world of possibilities. Downloading Associated 1 34 18hp Engine Operators Manual provides numerous advantages over physical copies of books and documents. Firstly, it is incredibly convenient. Gone are the days of carrying around heavy textbooks or bulky folders filled with papers. With the click of a button, you can gain immediate access to valuable resources on any device. This convenience allows for efficient studying, researching, and reading on the go. Moreover, the cost-effective nature of downloading Associated 1 34 18hp Engine Operators Manual has democratized knowledge. Traditional books and academic journals can be expensive, making it difficult for individuals with limited financial resources to access information. By offering free PDF downloads, publishers and authors are enabling a wider audience to benefit from their work. This inclusivity promotes equal opportunities for learning and personal growth. There are numerous websites and platforms where individuals can download Associated 1 34 18hp Engine Operators Manual. These websites range from academic databases offering research papers and journals to online libraries with an expansive collection of books from various genres. Many authors and publishers also upload their work to specific websites, granting readers access to their content without any charge. These platforms not only provide access to existing literature but also serve as an excellent platform for undiscovered authors to share their work with the world. However, it is essential to be cautious while downloading Associated 1 34 18hp Engine Operators Manual. Some websites may offer pirated or illegally obtained copies of copyrighted material. Engaging in such activities not only violates copyright laws but also undermines the efforts of authors, publishers, and researchers. To ensure ethical downloading, it is advisable to utilize reputable websites that prioritize the legal distribution of content. When downloading Associated 1 34 18hp Engine Operators Manual, users should also consider the potential security risks associated with online platforms. Malicious actors may exploit vulnerabilities in unprotected websites to distribute malware or steal personal information. To protect themselves, individuals should ensure their devices have reliable antivirus software installed and validate the legitimacy of

the websites they are downloading from. In conclusion, the ability to download Associated 1 34 18hp Engine Operators Manual has transformed the way we access information. With the convenience, cost-effectiveness, and accessibility it offers, free PDF downloads have become a popular choice for students, researchers, and book lovers worldwide. However, it is crucial to engage in ethical downloading practices and prioritize personal security when utilizing online platforms. By doing so, individuals can make the most of the vast array of free PDF resources available and embark on a journey of continuous learning and intellectual growth.

FAQs About Associated 1 34 18hp Engine Operators Manual Books

How do I know which eBook platform is the best for me? Finding the best eBook platform depends on your reading preferences and device compatibility. Research different platforms, read user reviews, and explore their features before making a choice. Are free eBooks of good quality? Yes, many reputable platforms offer high-quality free eBooks, including classics and public domain works. However, make sure to verify the source to ensure the eBook credibility. Can I read eBooks without an eReader? Absolutely! Most eBook platforms offer web-based readers or mobile apps that allow you to read eBooks on your computer, tablet, or smartphone. How do I avoid digital eye strain while reading eBooks? To prevent digital eye strain, take regular breaks, adjust the font size and background color, and ensure proper lighting while reading eBooks. What the advantage of interactive eBooks? Interactive eBooks incorporate multimedia elements, quizzes, and activities, enhancing the reader engagement and providing a more immersive learning experience. Associated 1 34 18hp Engine Operators Manual is one of the best book in our library for free trial. We provide copy of Associated 1 34 18hp Engine Operators Manual in digital format, so the resources that you find are reliable. There are also many Ebooks of related with Associated 1 34 18hp Engine Operators Manual. Where to download Associated 1 34 18hp Engine Operators Manual online for free? Are you looking for Associated 1 34 18hp Engine Operators Manual PDF? This is definitely going to save you time and cash in something you should think about.

Find Associated 1 34 18hp Engine Operators Manual :

[biocontrol lab manual](#)

binatone lyrics 410 manual

[bilanzsteuerrecht mit bez gen zum kstg](#)

[biolab reverse osmosis manual](#)

[biology 1010 lab manual](#)

[biographies revolution teacher guide boyer](#)

[biology 11 study guide answer key](#)

[bio study guide mcdougal answers](#)

[bilingual education introduction to educating english learners 3rd edition](#)

[biologia 2º bachillerato tesela pack libro del alumno cd](#)

[bioengineering fundamentals saterbak so](#)

[bing rewards sign in](#)

[biological and chemical terrorism a guide for healthcare providers and first responders](#)

bio 102 lab manual mader 13th edition

[bilingual and esl classrooms teaching in multicultural contexts](#)

Associated 1 34 18hp Engine Operators Manual :

[youth sailing scheme start sailing stage 1 rya - Jul 13 2023](#)

web join now youth sailing scheme start sailing stage 1 an introduction to the parts of the boat and the basic principles of how to get a boat sailing find centres running this

[start yachting sailpro school of yachting - Sep 03 2022](#)

web rya start yachting sailing course the rya start yachting course is for beginner yacht sailors and those who would like to become an active member of the crew rather than

rya level 1 start sailing medium - Oct 24 2021

[dinghy level 1 start sailing rya royal yachting association - Aug 22 2021](#)

rya sail cruising training courses for beginners and - Feb 08 2023

web duration 2 days a short introduction to sailing for complete beginners where you will also experience your first night on board note the 2 day rya start yachting course can be

[rya cruising level 1 start sailing syllabus - Jan 07 2023](#)

web course details course duration 2 days start and finish times start at 9 30am on saturday and finish by approximately 4 30pm on sunday minimum age the

ryani rules roadshow 2023 rya org uk - Sep 22 2021

[rya start yachting sail boat project](#) - Oct 04 2022

web jun 27 2019 rya start yachting course the rya start yachting course is a 2 day practical course for people looking to try sailing for the first time the course is a great

[get started in sailing learn to sail and windsurf at rya clubs](#) - May 11 2023

web if you want to give sailing and windsurfing a go the best place to get started is your local sailing club or training centre with more than 2 000 rya affiliated clubs and recognised

[home rya royal yachting association](#) - Mar 09 2023

web rya start yachting course overview prometheus two day rya start yachting course provides a short beginners introduction to sailing and requires no previous sailing

rya start sailing royal yachting association - Aug 14 2023

web this is an ideal learning and reference tool packed with the essential knowledge that you need to get afloat regardless of your age each chapter guides you through essential information on areas key to learning the sport chapters include rigging your boat

rya start yachting sailmenorca com - Dec 26 2021

[rya start yachting course all inclusive training at ukxa](#) - Apr 10 2023

web about the rya the royal yachting association is the national governing body for dinghy motor and sail cruising all forms of sail racing ribs and sportsboats windsurfing and

rya start yacht sailing course lagoon watersports - Mar 29 2022

web 2 min read 4 days ago i am not sure where the idea came from we have a marina nearby that we walk around tucked into a corner of the marina about twenty or so sailing

rya start yachting beginners sailing weekends - Nov 05 2022

web rya introduction to sailing level 1 the adventure begins stepping into the world of sailing for the first time is exciting and exhilarating the courses in the rya yachtmaster

[start boating royal yachting association](#) - Jun 12 2023

web start sailing find all the information you need to get on the water and learn how to sail here discover sailing get on the water with taster sessions for little or no fee at sailing clubs

rya start sailing ebook rya start sailing ebook - Feb 25 2022

web sep 14 2023 chris lindsay international umpire judge and member of rya and world sailing judging and umpire committees will bring us through two webinars one about

start dinghy sailing courses rya start sailing basic skills - Jan 27 2022

web dinghy level 1 start sailing an introduction to sailing dinghies for complete beginners covering everything you need to know to get afloat under supervision find centres

rya start yachting sailing course sunsail - Dec 06 2022

web the yacht basic knowledge of sea terms parts of a boat her rigging and sails ropework ability to tie four different knots as well as securing a rope to a cleat and use of

rya start yachting ondeck sailing - Apr 29 2022

web rya level 1 start sailing minimum age anyone under the age of 18 years must have a parental consent form completed and signed by a parent guardian this must be

rya cruising level 1 start sailing sailschool ni - May 31 2022

web practical sailing courses in the mediterranean designed for beginners who would like to try sailing for the first time the course is run by friendly instructors and the emphasis

rya start yachting seafarer cruising sailing holidays - Jul 01 2022

web these rya accredited courses are designed for complete beginners this course then leads perfectly on to the next level course dinghy improver start dinghy sailing courses

rya start yachting learn to sail with sunshine sailing australia - Aug 02 2022

web the rya s long established training methods are recognised as world leading packing full on interactive tools and detailed illustrations like ebook willingness help you gain both

start sailing rya level 1 sail birmingham - Nov 24 2021**the compassionate mind approach to beating overeating** - Sep 15 2023

web jan 1 2011 the compassionate mind approach to beating overeating using compassion focused therapy ken goss 3 76 29 ratings4 reviews a self help book that

the compassionate mind approach to beating overeating - Sep 03 2022

web compassionate mind oct 03 2023 leading depression authority paul gilbert presents the compassionate mind a breakthrough book integrating evolutionary psychology

how to build a more compassionate mind psychology today - May 31 2022

web jul 13 2023 compassionate mind approach to recovering from trauma the compassionate mind approach to reducing stress the compassionate mind

the compassionate mind approach to beating overeating - Nov 24 2021

[the compassionate mind approach to beating overeating](#) - Jan 07 2023

web beating overeating using compassion focused therapy uses compassion focused therapy a groundbreaking new therapeutic approach to understand and work with

the compassionate mind approach to beating overeating - Apr 10 2023

web nov 20 2001 developing an inner compassion for one s relationship with food recognising what we need and what is helpful available in paperback this self help

[beating overeating overcoming](#) - Nov 05 2022

web the compassionate mind approach to beating overeating series editor paul gilbert compassion focused therapy ebook goss kenneth amazon co uk kindle store

the compassionate mind approach to beating overea - Jul 13 2023

web this self help book explores the problems created by having ready access to high fat foods designed to taste good it uses compassion focused therapy to understand and work

[the compassionate mind approach to beating](#) - Mar 09 2023

web the compassionate mind approach to beating overeating series editor paul gilbert compassion focused therapy 4 4 out of 5 stars 110 kindle edition 18 99 the

the compassionate mind approach to beating overeating - May 11 2023

web nov 20 2001 beating overeating using compassion focused therapy uses compassion focused therapy a groundbreaking new therapeutic approach to

the compassionate mind approach to beating overeating using - Jun 12 2023

web this book is for people who have tried diets and found that they don t work and will enable the reader to have a healthier and happier relationship with food and their body topics

the compassionate mind approach to beating overea pdf - Aug 02 2022

web oct 6 2021 use a soothing rhythm breathing practice to calm your nervous system try a loving kindness meditation to build compassion for yourself and others use a

back to the future harnessing the power of primary health care to - Jan 27 2022

web you could buy lead the compassionate mind approach to beating overea or get it as soon as feasible you could quickly download this the compassionate mind approach

[online library the compassionate mind approach to beating](#) - Mar 29 2022

web oct 24 2023 shifting mind sets created the foundation for change we ve significantly increased funding to primary health and changed the university curricula at all levels of

the compassionate mind approach to beating overeating - Oct 04 2022

web the compassionate mind approach to beating overea downloaded from tccgpc com by guest riddle julian compassion new harbinger publications

the compassionate mind approach to beating overeating - Dec 26 2021

read free the compassionate mind approach to beating overea - Jul 01 2022

web 2 2 the compassionate mind approach to beating overea 2022 02 25 with a powerful solution in the shape of mindfulness and compassion the compassionate mind

the compassionate mind approach to beating overeating - Aug 14 2023

web gilbert presents the compassionate mind a breakthrough book integrating evolutionary psychology new insights from neuroscience and mindfulness practice this combination

the compassionate mind approach to beating - Oct 16 2023

web jan 27 2011 this book is for people who have tried diets and found that they don t work and will enable the reader to have a healthier and happier relationship with food and their

the compassionate mind approach to beating overea - Apr 29 2022

web the compassionate mind approach to beating overea the compassionate mind approach to beating overea 2 downloaded from publicaties nwp nl on 2022 03 20 by

the compassionate mind approach to beating overeating - Dec 06 2022

web the compassionate mind approach to beating overeating series editor paul gilbert compassion focused therapy by goss kenneth and a great selection of related

the compassionate mind approach to beating overeating - Feb 08 2023

web jan 27 2011 as a result our relationship with eating can be complex multifaceted and problematic beating overeating using compassion focused therapy uses

the compassionate mind approach to beating overea - Feb 25 2022

web sep 11 2023 may 16th 2020 he was a student of professor paul gilbert author of bestsellers the passionate mind and overing depression and has worked within the

la storia di greta non sei troppo piccolo per far elena de - Mar 20 2022

web la storia di nia bruna aulino 2019 08 06 questa è la storia di nia una ragazza nata nel 1944 in una notte di bombardamenti e terrore figlia di una madre che non la prese mai

la storia di greta non sei troppo piccolo per fare cose grandi la - Oct 27 2022

web oct 10 2019 greta racconta l'autrice è sensibile al tema ambientalista da diversi anni da quando era ancora bambina e a scuola ad otto anni alcuni insegnanti avevano fatto

la storia di greta non sei troppo piccolo per fare cose grandi la - Feb 28 2023

web la storia di greta non sei troppo piccolo per fare cose grandi la biografia non ufficiale di greta thunberg è un ebook di camerini valentina pubblicato da de agostini a 6 99

la storia di greta non sei troppo piccolo per far gabriella fusi - Apr 20 2022

web as this la storia di greta non sei troppo piccolo per far it ends happening instinctive one of the favored ebook la storia di greta non sei troppo piccolo per far

la storia di greta non sei troppo piccolo per fare cose grandi - Nov 27 2022

web preparatevi a leggere un racconto fatto di speranza coraggio e determinazione questa Ã la storia vera di greta thunberg ma anche quella di tanti altri ragazzi e ragazze in tutto

la storia di greta non sei troppo piccolo per fare cose grandi la - Jan 30 2023

web la storia di greta non sei troppo piccolo per fare cose grandi la biografia non ufficiale di greta thunberg di valentina camerini preparatevi a leggere un racconto fatto di

la storia di greta non sei troppo piccolo per far 2023 - Feb 16 2022

web preparatevi a leggere un racconto fatto di speranza coraggio e determinazione questa è la storia vera di greta thunberg ma anche quella di tanti altri ragazzi e ragazze in tutto il

recensioni la storia di greta non sei troppo piccolo per fare - Dec 29 2022

web la storia di greta non sei troppo piccolo per fare cose grandi valentina camerini download on z library z library download books for free find books

languagelearningkids club - Jun 22 2022

web la storia di greta non sei troppo piccolo per far back in love greta s story biografia universale antica e moderna ossia storia per alfabeto della vita pubblica e privata di

la storia di greta non sei troppo piccolo per fare cose grandi la - Jun 03 2023

web la storia di greta non sei troppo piccolo per fare cose grandi ebook written by valentina camerini read this book using google play books app on your pc android

la storia di greta non sei troppo piccolo per fare cose grandi - Apr 01 2023

web la storia di greta non sei troppo piccolo per fare cose grandi la biografia non ufficiale di greta thunberg è un libro di camerini valentina pubblicato da de agostini nella

la storia di greta non sei troppo piccolo per fare cose grandi la - Sep 06 2023

web la storia di greta non sei troppo piccolo per fare cose grandi formato kindle di valentina camerini autore veronica veci carratello illustratore formato formato

la recensione di la storia di greta parole e sapere - Sep 25 2022

web descrizione del libro dopo il discorso che ha commosso il mondo intero la vicenda della giovanissima attivista svedese greta thunberg diventa una biografia illustrata un libro

la storia di greta non sei troppo piccolo per fare cose grandi - May 02 2023

web la quindicenne greta thunberg decide di non voler più aspettare che i politici decidano di fare qualcosa per salvare il pianeta invece di andare a scuola decide di indire il suo

la storia di greta non sei troppo piccolo per fare cose grandi la - Aug 25 2022

web questa è la storia vera di greta thunberg ma anche quella di tanti altri ragazzi e ragazze in tutto il mondo disposti a lottare contro il disinteresse dei più grandi nel nome di un

la storia di greta non sei troppo piccolo per fare cose grandi - Aug 05 2023

web quel giorno l allora quindicenne greta thunberg inizia il suo sciopero davanti al palazzo del parlamento non si può più aspettare i politici devono fare qualcosa per salvare

la storia di greta non sei troppo piccolo per fare cose grandi - Jul 04 2023

web acquista online il libro la storia di greta non sei troppo piccolo per fare cose grandi la biografia non ufficiale di greta thunberg di valentina camerini in offerta a prezzi

la storia di greta non sei troppo piccolo per fare cose - Oct 07 2023

web la storia di greta non sei troppo piccolo per fare cose grandi la biografia non ufficiale di greta thunberg camerini valentina carratello veronica veci amazon it libri

la storia di greta non sei troppo piccolo per fare cose grandi - Jan 18 2022

la storia di greta non sei troppo piccolo per fare cose grandi - Jul 24 2022

web we would like to show you a description here but the site won t allow us

la storia di greta non sei troppo piccolo per far pdf - May 22 2022

web la storia di nia bruna aulino 2019 08 06 questa è la storia di nia una ragazza nata nel 1944 in una notte di bombardamenti e terrore figlia di una madre che non la prese mai