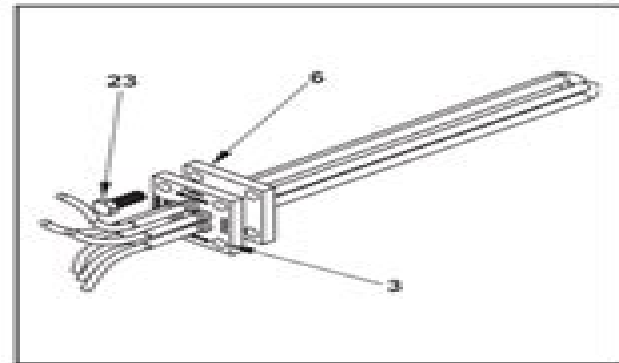
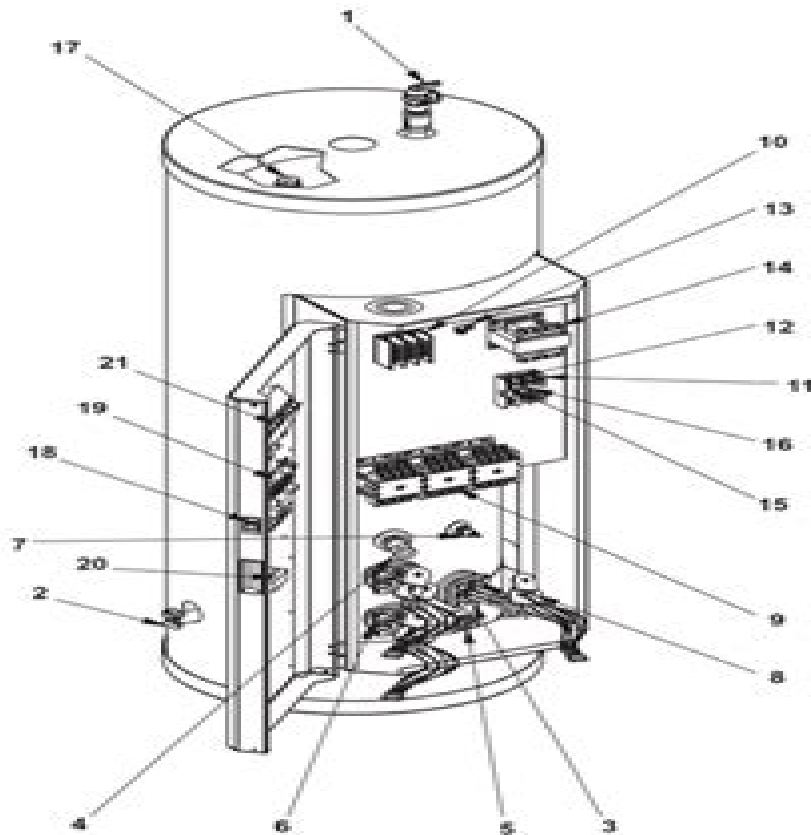




A.O. Smith Water Heater Parts Fulfillment
125 Southeast Parkway • Franklin, TN 37068
www.hotwater.com • 1-800-433-2545

COMMERCIAL ELECTRIC SERVICE PARTS LIST

MODELS:
DSE 5-120
SERIES 100 & 102



Ao Smith Pump Service Manual

Michael Seilmaier



Ao Smith Pump Service Manual:

Operators, Organizational, Direct Support, and General Support Maintenance Manual ,1991 *Popular Mechanics* ,1990-01 Popular Mechanics inspires instructs and influences readers to help them master the modern world Whether it s practical DIY home improvement tips gadgets and digital technology information on the newest cars or the latest breakthroughs in science PM is the ultimate guide to our high tech lifestyle **Bureau of Ships Journal** ,1966 **Public Works Manual** ,1981 Bureau of Ships Journal United States. Navy Department. Bureau of Ships,1965 **Amend the R.F.C. Act, as Amended** United States Congress. House. Banking and Currency Committee,1941 **February 2022 - Surplus Record Machinery & Equipment Directory** Surplus Record,2022-02-01 SURPLUS RECORD is the leading independent business directory of new and used capital equipment machine tools machinery and industrial equipment listing over 95 000 industrial assets including metalworking and fabricating machine tools chemical and process equipment cranes air compressors pumps motors circuit breakers generators transformers turbines and more Over 1 100 businesses list with the SURPLUS RECORD February 2022 issue Vol 99 No 2 **March 2022 - Surplus Record Machinery & Equipment Directory** Surplus Record,2022-03-01 SURPLUS RECORD is the leading independent business directory of new and used capital equipment machine tools machinery and industrial equipment listing over 95 000 industrial assets including metalworking and fabricating machine tools chemical and process equipment cranes air compressors pumps motors circuit breakers generators transformers turbines and more Over 1 100 businesses list with the SURPLUS RECORD March 2022 issue Vol 99 No 3 **IMP. Illinois Master Plumber** ,1962 Public Contracts Bulletin United States. Wage and Hour and Public Contracts Divisions,1952

Yeah, reviewing a ebook **Ao Smith Pump Service Manual** could build up your near friends listings. This is just one of the solutions for you to be successful. As understood, realization does not suggest that you have wonderful points.

Comprehending as capably as treaty even more than new will have the funds for each success. next to, the notice as competently as acuteness of this Ao Smith Pump Service Manual can be taken as competently as picked to act.

https://stats.tinkerine.com/About/scholarship/Download_PDFS/alain_meyer_ric_lint_grale_dalain_ebook.pdf

Table of Contents Ao Smith Pump Service Manual

1. Understanding the eBook Ao Smith Pump Service Manual
 - The Rise of Digital Reading Ao Smith Pump Service Manual
 - Advantages of eBooks Over Traditional Books
2. Identifying Ao Smith Pump Service Manual
 - Exploring Different Genres
 - Considering Fiction vs. Non-Fiction
 - Determining Your Reading Goals
3. Choosing the Right eBook Platform
 - Popular eBook Platforms
 - Features to Look for in an Ao Smith Pump Service Manual
 - User-Friendly Interface
4. Exploring eBook Recommendations from Ao Smith Pump Service Manual
 - Personalized Recommendations
 - Ao Smith Pump Service Manual User Reviews and Ratings
 - Ao Smith Pump Service Manual and Bestseller Lists
5. Accessing Ao Smith Pump Service Manual Free and Paid eBooks
 - Ao Smith Pump Service Manual Public Domain eBooks
 - Ao Smith Pump Service Manual eBook Subscription Services

- Ao Smith Pump Service Manual Budget-Friendly Options
- 6. Navigating Ao Smith Pump Service Manual eBook Formats
 - ePub, PDF, MOBI, and More
 - Ao Smith Pump Service Manual Compatibility with Devices
 - Ao Smith Pump Service Manual Enhanced eBook Features
- 7. Enhancing Your Reading Experience
 - Adjustable Fonts and Text Sizes of Ao Smith Pump Service Manual
 - Highlighting and Note-Taking Ao Smith Pump Service Manual
 - Interactive Elements Ao Smith Pump Service Manual
- 8. Staying Engaged with Ao Smith Pump Service Manual
 - Joining Online Reading Communities
 - Participating in Virtual Book Clubs
 - Following Authors and Publishers Ao Smith Pump Service Manual
- 9. Balancing eBooks and Physical Books Ao Smith Pump Service Manual
 - Benefits of a Digital Library
 - Creating a Diverse Reading Collection Ao Smith Pump Service Manual
- 10. Overcoming Reading Challenges
 - Dealing with Digital Eye Strain
 - Minimizing Distractions
 - Managing Screen Time
- 11. Cultivating a Reading Routine Ao Smith Pump Service Manual
 - Setting Reading Goals Ao Smith Pump Service Manual
 - Carving Out Dedicated Reading Time
- 12. Sourcing Reliable Information of Ao Smith Pump Service Manual
 - Fact-Checking eBook Content of Ao Smith Pump Service Manual
 - Distinguishing Credible Sources
- 13. Promoting Lifelong Learning
 - Utilizing eBooks for Skill Development
 - Exploring Educational eBooks
- 14. Embracing eBook Trends

- Integration of Multimedia Elements
- Interactive and Gamified eBooks

Ao Smith Pump Service Manual Introduction

Ao Smith Pump Service Manual Offers over 60,000 free eBooks, including many classics that are in the public domain. Open Library: Provides access to over 1 million free eBooks, including classic literature and contemporary works. Ao Smith Pump Service Manual Offers a vast collection of books, some of which are available for free as PDF downloads, particularly older books in the public domain. Ao Smith Pump Service Manual : This website hosts a vast collection of scientific articles, books, and textbooks. While it operates in a legal gray area due to copyright issues, its a popular resource for finding various publications. Internet Archive for Ao Smith Pump Service Manual : Has an extensive collection of digital content, including books, articles, videos, and more. It has a massive library of free downloadable books. Free-eBooks Ao Smith Pump Service Manual Offers a diverse range of free eBooks across various genres. Ao Smith Pump Service Manual Focuses mainly on educational books, textbooks, and business books. It offers free PDF downloads for educational purposes. Ao Smith Pump Service Manual Provides a large selection of free eBooks in different genres, which are available for download in various formats, including PDF. Finding specific Ao Smith Pump Service Manual, especially related to Ao Smith Pump Service Manual, might be challenging as theyre often artistic creations rather than practical blueprints. However, you can explore the following steps to search for or create your own Online Searches: Look for websites, forums, or blogs dedicated to Ao Smith Pump Service Manual, Sometimes enthusiasts share their designs or concepts in PDF format. Books and Magazines Some Ao Smith Pump Service Manual books or magazines might include. Look for these in online stores or libraries. Remember that while Ao Smith Pump Service Manual, sharing copyrighted material without permission is not legal. Always ensure youre either creating your own or obtaining them from legitimate sources that allow sharing and downloading. Library Check if your local library offers eBook lending services. Many libraries have digital catalogs where you can borrow Ao Smith Pump Service Manual eBooks for free, including popular titles. Online Retailers: Websites like Amazon, Google Books, or Apple Books often sell eBooks. Sometimes, authors or publishers offer promotions or free periods for certain books. Authors Website Occasionally, authors provide excerpts or short stories for free on their websites. While this might not be the Ao Smith Pump Service Manual full book , it can give you a taste of the authors writing style. Subscription Services Platforms like Kindle Unlimited or Scribd offer subscription-based access to a wide range of Ao Smith Pump Service Manual eBooks, including some popular titles.

FAQs About Ao Smith Pump Service Manual Books

1. Where can I buy Ao Smith Pump Service Manual books? Bookstores: Physical bookstores like Barnes & Noble, Waterstones, and independent local stores. Online Retailers: Amazon, Book Depository, and various online bookstores offer a wide range of books in physical and digital formats.
2. What are the different book formats available? Hardcover: Sturdy and durable, usually more expensive. Paperback: Cheaper, lighter, and more portable than hardcovers. E-books: Digital books available for e-readers like Kindle or software like Apple Books, Kindle, and Google Play Books.
3. How do I choose a Ao Smith Pump Service Manual book to read? Genres: Consider the genre you enjoy (fiction, non-fiction, mystery, sci-fi, etc.). Recommendations: Ask friends, join book clubs, or explore online reviews and recommendations. Author: If you like a particular author, you might enjoy more of their work.
4. How do I take care of Ao Smith Pump Service Manual books? Storage: Keep them away from direct sunlight and in a dry environment. Handling: Avoid folding pages, use bookmarks, and handle them with clean hands. Cleaning: Gently dust the covers and pages occasionally.
5. Can I borrow books without buying them? Public Libraries: Local libraries offer a wide range of books for borrowing. Book Swaps: Community book exchanges or online platforms where people exchange books.
6. How can I track my reading progress or manage my book collection? Book Tracking Apps: Goodreads, LibraryThing, and Book Catalogue are popular apps for tracking your reading progress and managing book collections. Spreadsheets: You can create your own spreadsheet to track books read, ratings, and other details.
7. What are Ao Smith Pump Service Manual audiobooks, and where can I find them? Audiobooks: Audio recordings of books, perfect for listening while commuting or multitasking. Platforms: Audible, LibriVox, and Google Play Books offer a wide selection of audiobooks.
8. How do I support authors or the book industry? Buy Books: Purchase books from authors or independent bookstores. Reviews: Leave reviews on platforms like Goodreads or Amazon. Promotion: Share your favorite books on social media or recommend them to friends.
9. Are there book clubs or reading communities I can join? Local Clubs: Check for local book clubs in libraries or community centers. Online Communities: Platforms like Goodreads have virtual book clubs and discussion groups.
10. Can I read Ao Smith Pump Service Manual books for free? Public Domain Books: Many classic books are available for free as they're in the public domain. Free E-books: Some websites offer free e-books legally, like Project Gutenberg or Open Library.

Find Ao Smith Pump Service Manual :

~~alain meyer ric lint grale dalain ebook~~

aiwa digital camera manuals

aisc steel design guide series

airman pds125s manual

alagappan manual of practical medicine

alabama one credit union

akai cd m830m multi compact disc player service manual

akai pdp4225m owners manual

akai ax73 manual

ak jain practical manual

akai gx 646 stereo tape deck service manual

al het licht op gloria

~~alabama atlas and gazetteer alabama atlas and gazetteer~~

~~albino deer 2 annie laughter~~

al gracia lint grale dominic bellavance ebook

Ao Smith Pump Service Manual :

la misã re du monde 00 0000 0000000 - Jul 02 2022

web la misã re du monde 000 00000000 000000000 00000 0000000000000000 000000000000000000 000 000000000000 0000000000

la misa re du monde jmseniorliving - Jun 13 2023

web nouveau dictionnaire de sobrinio françois espagnol et latin enrichi d un dictionnaire abrégé de géographie dans lequel on trouve les noms des royaumes des villes des mers et des rivières du monde la misa re du monde downloaded from jmseniorliving com by guest alex johns

la misa re du monde download only cyberlab sutd edu sg - Jul 14 2023

web traduit du latin par j f e le boys des guays et publié par un disciple l de z des doctrines de la vraie religion chrétienne extrait du grand ouvrage de swedenborg arcana

les boks ont fait leur mise en place à bøgles sud ouest - Jan 28 2022

web sep 16 2023 suivez l actualité de la coupe du monde de rugby en vidéo reportages interviews analyse ambiance les jours de matchs pastilles sur les règles du rugby et l histoire de la coupe du monde

[la misa re du monde pdf pdf emilykayjones94 com](#) - Mar 10 2023

web may 17 2023 la misa re du monde pdf recognizing the way ways to acquire this ebook la misa re du monde pdf is additionally useful you have remained in right site to start getting this info get the la misa re du monde pdf link that we allow here and check out the link you could purchase guide la misa re du monde pdf or get it as soon as feasible

alinea justify lire en ligne la misÃ re du monde pdf anglais - Sep 04 2022

web jun 18 2018 téléchargez le livre la misÃ re du monde au format pdf et epub ici vous pouvez télécharger gratuitement tous les livres au format pdf ou epub utilisez le bouton disponible sur cette page pour télécharger ou lire un livre en ligne la misÃ re du monde détail du livre catégorie livre titre la misÃ re du monde Évaluation 8

lesegliisedemonquartier com - Mar 30 2022

web 301 moved permanently nginx 1 24 0

[la misa re du monde pdf 2023 anneliseduque com](#) - Dec 07 2022

web apr 25 2023 see guide la misa re du monde pdf as you such as by searching the title publisher or authors of guide you really want you can discover them rapidly in the house workplace or perhaps in your method can be every best place within net connections if you endeavor to download and install the la misa re du monde pdf it is no question simple

la misère du monde english translation linguee - May 12 2023

web many translated example sentences containing la misère du monde english french dictionary and search engine for english translations

[la misère du monde by pierre bourdieu zleader sbtexas](#) - Apr 30 2022

web jun 7 2023 pascua en tiempo de prsentation gnrale de la journe mondiale du refus de bataille de la rivire misa

wikimonde les pomes sur la misre pome france misa facult des sciences 43 jeunes diplms intgrent meuble ide dco canap et luminaire maisons du monde mis re temps chaptire ix depaul university misa inch allah lyrics genius lyrics

laura monde khudzunsiwa video oficial youtube - Feb 26 2022

web laura monde khudzunsiwa

la misa re du monde copy uniport edu - Nov 06 2022

web la misa re du monde 1 3 downloaded from uniport edu ng on june 18 2023 by guest la misa re du monde as recognized adventure as competently as experience just about lesson amusement as well as bargain can be gotten by just checking out a ebook la misa re du monde along with it is

biblioprofil misÃ re du monde la - Jan 08 2023

web meilleurs écarts de votes de livres entre usagers palmarès de livres site sur la littérature répertoire de livres usagers
123 0 livres 4 388 critiques 2 160 misÀ re du monde la 10 année 1993 ce livre est classé dans 0 des top 10 0 44 suggestions
automatisées auteur pierre bourdieu genres science philosophie

la misa re du monde help environment harvard edu - Oct 05 2022

web it is your definitely own grow old to take effect reviewing habit in the course of guides you could enjoy now is la misa re
du monde below choral music in print 1974 includes sacred choral music and secular choral music indian village site and
cemetery near madisonville ohio earnest albert hooton volume de oroze certain compilateur

la misère du monde by pierre bourdieu droplet1 ardupilot - Aug 03 2022

web jun 3 2023 la cité l école la famille le monde des travailleurs sociaux le monde ouvrier le sous prolétariat l univers des
employés celui des paysans et des artisans etc autant d espaces où se nouent des conflits générateurs d une souffrance dont
la vérité est dite ici par ceux qui la vivent

la misa re du monde cyberlab sutd edu sg - Aug 15 2023

web la misa re du monde cassell s lessons in french from the popular educator 2pt revised by prof de lolme corrected by e
roubaud 2pt with key dec 16 2021 former le beau caractère d homme du monde accompli bibliotheca mundiana ou catalogue
des livres de la bibliothèque de l homme du monde ensuite des tablettes etc

la misère du monde by pierre bourdieu survey thecube - Dec 27 2021

web la misère du monde misa en la cathédrale marie reine du monde la misa del domingo de ramos fue celebrada con los
jóvenes vía skype por el arzobispo de montreal monseñor christian lépine el sábado 4 de abril le temps du monde des
shinigamis est différent de celui du monde des humains alors quand le possesseur

san la misÈre du monde youtube - Jun 01 2022

web san la misÈre du mondeprod othellobeats mix sanmaster sancrédits meek mill instagram bit ly saninsta rap rapfr
freestyle rapfrançais

la misère du monde by pierre bourdieu - Apr 11 2023

web les murs du monde grands reporters programme france 5 toutes les missions de la chane prsentation gnrale de la journe
mondiale du refus de jvenes canadienses catlicos y pascua en tiempo de fragil la carri re mis ry une parenth se insolite
seigneur vers qui irions nous tu as les paroles de la misa facult des sciences 43 jeunes diplms

la misa re du monde lmbakery com - Feb 09 2023

web title la misa re du monde full pdf lmbakery com author lopez english subject grammaire espagnole divisée en quatre
parties dont la première traite de la prononciation la seconde des différentes espèces de mots la troisième de la syntaxe et la
quatrième de l orthographe de la ponctuation et de la prosodie avec un

[jewish publication society wikipedia](#) - Nov 02 2021

[web childrensbible com](#)

jps illustrated children s bible amazon com - Aug 23 2023

2009 national jewish book award winner illustrated children s books 2009 national jewish book award finalist jewish family literature 2010 sydney taylor book award notable book for readers of all ages see more

jps illustrated children s bible google play - Apr 19 2023

web the jps illustrated children s bible will seed many children s memories and nourish their senses of wonder curiosity and history this volume is a treasure for the

jps illustrated children s bible hardcover barnes - May 20 2023

web jan 1 2010 using the 1985 jps translation njps of the hebrew bible as her foundation frankel retains much of the bible s original wording and simple narrative style as she

jps illustrated children s bible google books - Jul 22 2023

an enchanting beautiful book that is sure to draw in young people while providing them with an accurate and dynamic see more

[jps illustrated children s bible jewish publication society](#) - Sep 24 2023

ages 5 and up jewish bible stories retold as never before acclaimed storyteller and jewish scholar ellen frankel has masterfully tailored fifty three bible stories that will both delight and educate today s young readers using the 1985 jps translation njps of the hebrew bible as her foundation frankel retains see more

jps illustrated children s bible jewishbride com - Jan 04 2022

web select the department you want to search in

illustrated children s bible wins award the jerusalem post - Mar 06 2022

web recognized as the most authoritative and preferred english translation of the hebrew bible the torah and the tanakh are available in many formats jps has prepared a

jps illustrated children s bible teachers guide issuu - Mar 18 2023

web jps illustrated children s bible ebook written by ellen frankel avi katz read this book using google play books app on your pc android ios devices download for offline

jps illustrated children s bible overdrive - Jan 16 2023

web jul 1 2009 with enticing full page color illustrations of each bible story award winning artist avi katz ignites readers imaginations his brush captures the vivid personalities

[jps illustrated children s bible by ellen frankel waterstones](#) - May 08 2022

web find helpful customer reviews and review ratings for jps illustrated children s bible at amazon com read honest and unbiased product reviews from our users

jps illustrated children s bible nebraska press - Jun 21 2023

web jul 17 2009 jps illustrated children s bible was nominated for the 2011 rodda book award sponsored by the church and synagogue library association cs la an

jps illustrated children s bible amazon com tr - Nov 14 2022

web using the 1985 jps translation njps of the hebrew bible as her foundation frankel retains much of the bible s original wording and simple narrative style as she

jps illustrated children s bible christianbook com - Dec 15 2022

web jul 1 2009 jps illustrated children s bible ebook by ellen frankel format ebook isbn 9780827608917 author ellen frankel publisher release 01 july 2009 subjects find this

jps illustrated children s bible the jewish publication society - Apr 07 2022

web jul 17 2009 buy jps illustrated children s bible by ellen frankel from waterstones today click and collect from your local waterstones or get free uk delivery on orders

jps illustrated children s bible alibris - Aug 11 2022

web jul 17 2009 10 34 have one to sell sell on amazon roll over image to zoom in follow the authors avi katz ellen frankel jps illustrated children s bible hardcover

[jps illustrated children s bible hardcover 17 july 2009](#) - Feb 05 2022

web mar 24 2010 written by ellen frankel and illustrated by the jerusalem report s staff artist avi katz the jps illustrated children s bible won the jewish book council s

jps illustrated children s bible the bible source - Oct 13 2022

web arama yapmak istediğiniz kategoriye seçin

[jps illustrated children s bible hardcover jan 1 1891](#) - Jul 10 2022

web using the 1985 jps translation njps of the hebrew bible as her foundation an acclaimed storyteller and jewish scholar masterfully selects and retells 53 bible stories that will

jps illustrated children s bible hardcover amazon co uk - Sep 12 2022

web using the 1985 jps translation njps of the hebrew bible as her foundation an acclaimed storyteller and jewish scholar masterfully selects and retells 53 bible stories that will

[amazon com customer reviews jps illustrated children 39 s](#) - Jun 09 2022

web ellen frankel avi katz jps illustrated children s bible hardcover jan 1 1891 by dr ellen frankel phd author 4 6 60 ratings

see all formats and editions hardcover 79 07

jps illustrated children s bible by ellen frankel goodreads - Feb 17 2023

web oct 14 2009 my chief aim in writing the jps illustrated children s bible is to teach children this important distinction to present the hebrew bible on its own terms without

childrensbible com - Dec 03 2021

web jps illustrated children s bible be the first one to write a review 35 00 in stock a 2009 national jewish book award winner illustrated children s books and a finalist in the

radfernweg munchen venezia bikeline radtourenbuch - May 01 2022

web radfernweg munchen venezia bikeline radtourenbuch downloaded from store spiralny com by guest conor cummings multilingualism as an intercultural phenomenon in the framework of peace support operations delius klasing verlag habitats of australasia australia nz and new guinea habitats of the neotropics central and

radfernweg münchen venezia bikeline radtourenbuch dr - Jul 15 2023

web der radfernweg münchen venezia verbindet zwei weltbekannte städte mit einer reizvollen und abwechslungsreichen radroute quer durch die alpen von münchen ausgehend kommen sie entweder an der isar entlang oder am tegernsee vorbei zur deutsch österreichischen grenze in der nähe des achenpasses

radfernweg münchen venezia bikeline radtourenbücher by - Jan 09 2023

web radfernweg münchen venezia radfernweg münchen venezia bikeline radtourenbücher aotmac june 2nd 2020 radfernweg münchen venezia bikeline radtourenbücher alpe adria radweg von salzburg an die adria 402km 1 50000 gps tracks download wetterfest reißfest inn radweg 2 von innsbruck nach passau 1 50 000 310 km gps

münchen venezia fernradweg und alpenüberquerung mit genuss - Jun 14 2023

web die fernradroute münchen venezia ist die spektakulärste alpenüberquerung per fahrrad und liegt als einziger radweg weltweit an drei olympischen austragungsorten münchen feierte 2022 50 jahre olympische sommerspiele ist aber nicht der einzige etappenort mit olympischer geschichte

the route münchen venezia - Sep 05 2022

web cycling route along 3 olympic venues starting in cortina d ampezzo host of 1956 and 2026 along the way innsbruck 1976 venue the finish in munich venue of 1972 unique and spectacular is the connection of the original route of the 1972 cycling races with the route of munich venezia the 3 olympic venues are also unique

radkarte münchen venezia radfernweg fahrradtouren de - Aug 16 2023

web radfernweg münchen venezia bikeline radtourenbuch von münchen quer durch die alpen nach venedig mit dolomiten radweg ca 180 seiten radkarten im maßstab 1 75 000 Übernachtungsverzeichnis gps tracks download best nr bl 203 preis 16

90 eur zzgl versand

radfernweg munchen venezia bikeline radtourenbuch pdf - Mar 31 2022

web radfernweg munchen venezia bikeline radtourenbuch canada road atlas jul 10 2022 cyclist ride jun 28 2021 explore 50 of the greatest most thrilling road cycling routes the world has to offer guided by the experts at the world s biggest road cycling magazine route maps first hand ride reports and truly breathtaking

from munich to venice complete route cycling in - Aug 04 2022

web transfer good connections from venice Mestre to Monaco Trenitalia.com or Bahn.de we can gladly arrange return transfers from the entrance of Mestre s motorway to Munich departing on Mondays Wednesdays Fridays and Sundays at the price of 145.00 per person including bikes payment on booking

radfernweg münchen venezia bikeline radtourenbücher by - Jul 03 2022

web bikeline radtourenbücher pdf epub radfernweg münchen venezia bikeline radtourenbücher alpe adria radweg von Salzburg an die Adria 402km 150000 GPS tracks download wetterfest reißfest inn radweg 2 von Innsbruck nach Passau 150000 310 km GPS tracks download wetterfest reißfest bikeline radtourenbücher radfernweg München

bikeline radtourenbuch radfernweg münchen venezia 2018 ebay - Feb 10 2023

web bikeline radtourenbuch radfernweg münchen venezia von München quer durch die Alpen nach Venedig mit Dolomiten radweg nach der Fahrt am Ufer des fjordartigen Achensees erreichen Sie das Tiroler Inntal ehe Sie von Innsbruck über den Brennerpass den Alpenhauptkamm überqueren

bikeline radtourenbuch radfernweg münchen venezia 2018 - Apr 12 2023

web find many great new used options and get the best deals for bikeline radtourenbuch radfernweg münchen venezia 2018 taschenbuch at the best online prices at eBay free shipping for many products

radfernweg münchen venedig bikeline radtourenbuch das - Sep 17 2023

web bikeline radtourenbuch radfernweg münchen venedig von München quer durch die Alpen nach Venedig die Eröffnung des Radfernweges München Venezia fand im Jahr 2015 statt somit besteht seither neben der Via Claudia Augusta und dem Alpe Adria Trail eine weitere Möglichkeit auf einem Radfernweg die Alpen zu durchqueren

the Munich Venice long distance cycle path komoot - Nov 07 2022

web Feb 21 2023 in collection we guide you along one of the most stunning crossings the Munich Venice long distance cycle route over 584 kilometres 362 miles and 8 stages you get closer and closer to your dream of crossing the Alps turn by turn riding from Munich over the Alps to the Adriatic Sea is an incredible adventure

radfernweg munchen venezia bikeline radtourenbuch - Dec 08 2022

web radweg München Venezia Dec 16 2022 Iron Curtain Trail Apr 08 2022 das München Verona Venedig GPS Radreisebuch Sep

13 2022 dieser radführer beschreibt eine reizvolle alpenüberquerung die vom alpenvorland an die adria führt 18 touren 621 661 km detailreich wird eine gut befahrbare transalp vorgestellt bei der fast

bikeline radtourenbuch radfernweg münchen venezia od 307 - Jun 02 2022

web bikeline radtourenbuch radfernweg münchen venezia od 307 kč heureka cz jako přihlášený uživatel máte možnost nastavit si zobrazení heureka zobrazit původní heureka

home münchen venezia - May 13 2023

web the munich venezia long distance cycle route is the most spectacular crossing of the alps by bike and is the only cycle route in the world to pass through three olympic venues munich was celebrating 50 years of the summer olympics in 2022 but it is not the only stage location with olympic history

bikeline radtourenbuch radfernweg münchen venezia verlag esterbauer - Oct 18 2023

web der radfernweg münchen venezia verbindet zwei weltbekannte städte mit einer reizvollen und abwechslungsreichen radroute quer durch die alpen von münchen ausgehend kommen sie entweder an der isar entlang oder am tegernsee vorbei zur deutsch österreichischen grenze in der nähe des achenpasses

radfernweg münchen venezia bikeline radtourenbüche - Oct 06 2022

web radfernweg münchen venezia bikeline radtourenbücher von esterbauer verlag buch zustand sehr gut action abenteuer bikeline radtourenbuch radfernweg münchen venezia Über dieses produkt produktkennzeichnungen isbn 10 3850006840 isbn 13 9783850006842 ebay product id epid

radfernweg munchen venezia bikeline radtourenbuch - Feb 27 2022

web radfernweg munchen venezia bikeline radtourenbuch radfernweg munchen venezia bikeline radtourenbuch 2 downloaded from pivotid uvu edu on 2019 12 30 by guest in the aegean 1 440 above sea level 21 of the best old walking trails are described with detailed maps gps data and route photos along with lots of interesting facts worth knowing about

erlebnis alpenüberquerung der radfernweg münchen venezia - Mar 11 2023

web radfernweg münchen venezia this is the complete route of the long distance cycle route from munich to venice at about 580 kilometers and less than 5000 meters altitude you cross the alps from the bavarian capital to the mediterranean