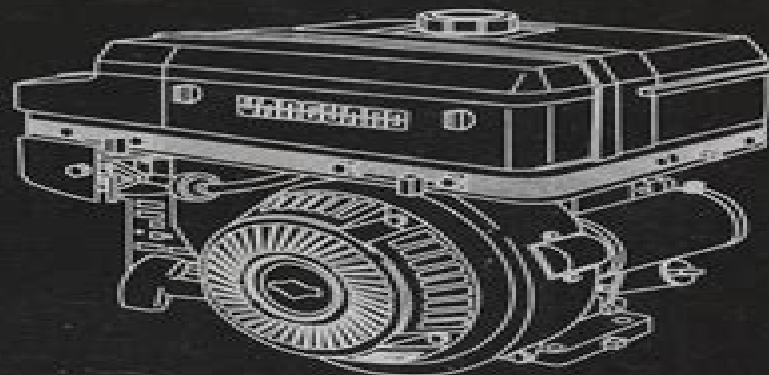
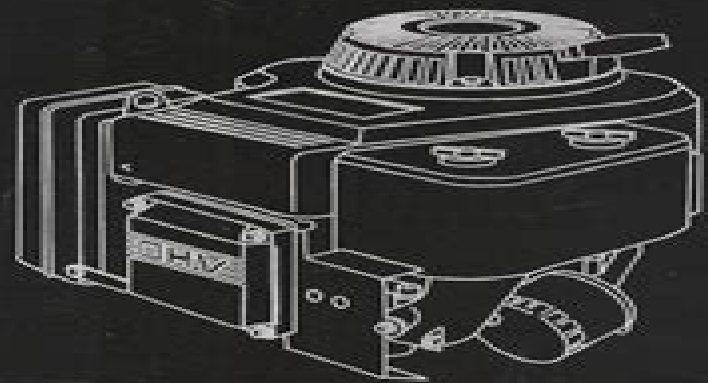
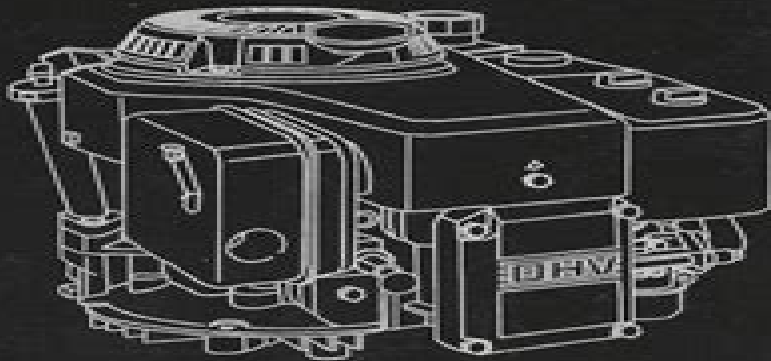




**VANGUARD**

# ***Repair Manual***

***For Single Cylinder OHV Engines***



# Briggs Stratton Engine Repair Manual 21 Hp

**Didier Musso**



**Briggs Stratton Engine Repair Manual 21 Hp:**

If you ally dependence such a referred **Briggs Stratton Engine Repair Manual 21 Hp** ebook that will have the funds for you worth, get the utterly best seller from us currently from several preferred authors. If you want to hilarious books, lots of novels, tale, jokes, and more fictions collections are afterward launched, from best seller to one of the most current released.

You may not be perplexed to enjoy all book collections Briggs Stratton Engine Repair Manual 21 Hp that we will agreed offer. It is not in relation to the costs. Its roughly what you need currently. This Briggs Stratton Engine Repair Manual 21 Hp, as one of the most functional sellers here will very be along with the best options to review.

<https://stats.tinkerine.com/About/publication/Documents/Bury%20Me%20With%20My%20Pearls.pdf>

## **Table of Contents Briggs Stratton Engine Repair Manual 21 Hp**

1. Understanding the eBook Briggs Stratton Engine Repair Manual 21 Hp
  - The Rise of Digital Reading Briggs Stratton Engine Repair Manual 21 Hp
  - Advantages of eBooks Over Traditional Books
2. Identifying Briggs Stratton Engine Repair Manual 21 Hp
  - Exploring Different Genres
  - Considering Fiction vs. Non-Fiction
  - Determining Your Reading Goals
3. Choosing the Right eBook Platform
  - Popular eBook Platforms
  - Features to Look for in an Briggs Stratton Engine Repair Manual 21 Hp
  - User-Friendly Interface
4. Exploring eBook Recommendations from Briggs Stratton Engine Repair Manual 21 Hp
  - Personalized Recommendations
  - Briggs Stratton Engine Repair Manual 21 Hp User Reviews and Ratings
  - Briggs Stratton Engine Repair Manual 21 Hp and Bestseller Lists
5. Accessing Briggs Stratton Engine Repair Manual 21 Hp Free and Paid eBooks

- Briggs Stratton Engine Repair Manual 21 Hp Public Domain eBooks
  - Briggs Stratton Engine Repair Manual 21 Hp eBook Subscription Services
  - Briggs Stratton Engine Repair Manual 21 Hp Budget-Friendly Options
6. Navigating Briggs Stratton Engine Repair Manual 21 Hp eBook Formats
    - ePub, PDF, MOBI, and More
    - Briggs Stratton Engine Repair Manual 21 Hp Compatibility with Devices
    - Briggs Stratton Engine Repair Manual 21 Hp Enhanced eBook Features
  7. Enhancing Your Reading Experience
    - Adjustable Fonts and Text Sizes of Briggs Stratton Engine Repair Manual 21 Hp
    - Highlighting and Note-Taking Briggs Stratton Engine Repair Manual 21 Hp
    - Interactive Elements Briggs Stratton Engine Repair Manual 21 Hp
  8. Staying Engaged with Briggs Stratton Engine Repair Manual 21 Hp
    - Joining Online Reading Communities
    - Participating in Virtual Book Clubs
    - Following Authors and Publishers Briggs Stratton Engine Repair Manual 21 Hp
  9. Balancing eBooks and Physical Books Briggs Stratton Engine Repair Manual 21 Hp
    - Benefits of a Digital Library
    - Creating a Diverse Reading Collection Briggs Stratton Engine Repair Manual 21 Hp
  10. Overcoming Reading Challenges
    - Dealing with Digital Eye Strain
    - Minimizing Distractions
    - Managing Screen Time
  11. Cultivating a Reading Routine Briggs Stratton Engine Repair Manual 21 Hp
    - Setting Reading Goals Briggs Stratton Engine Repair Manual 21 Hp
    - Carving Out Dedicated Reading Time
  12. Sourcing Reliable Information of Briggs Stratton Engine Repair Manual 21 Hp
    - Fact-Checking eBook Content of Briggs Stratton Engine Repair Manual 21 Hp
    - Distinguishing Credible Sources
  13. Promoting Lifelong Learning
    - Utilizing eBooks for Skill Development

- Exploring Educational eBooks
14. Embracing eBook Trends
- Integration of Multimedia Elements
  - Interactive and Gamified eBooks

### **Briggs Stratton Engine Repair Manual 21 Hp Introduction**

Briggs Stratton Engine Repair Manual 21 Hp Offers over 60,000 free eBooks, including many classics that are in the public domain. Open Library: Provides access to over 1 million free eBooks, including classic literature and contemporary works. Briggs Stratton Engine Repair Manual 21 Hp Offers a vast collection of books, some of which are available for free as PDF downloads, particularly older books in the public domain. Briggs Stratton Engine Repair Manual 21 Hp : This website hosts a vast collection of scientific articles, books, and textbooks. While it operates in a legal gray area due to copyright issues, its a popular resource for finding various publications. Internet Archive for Briggs Stratton Engine Repair Manual 21 Hp : Has an extensive collection of digital content, including books, articles, videos, and more. It has a massive library of free downloadable books. Free-eBooks Briggs Stratton Engine Repair Manual 21 Hp Offers a diverse range of free eBooks across various genres. Briggs Stratton Engine Repair Manual 21 Hp Focuses mainly on educational books, textbooks, and business books. It offers free PDF downloads for educational purposes. Briggs Stratton Engine Repair Manual 21 Hp Provides a large selection of free eBooks in different genres, which are available for download in various formats, including PDF. Finding specific Briggs Stratton Engine Repair Manual 21 Hp, especially related to Briggs Stratton Engine Repair Manual 21 Hp, might be challenging as theyre often artistic creations rather than practical blueprints. However, you can explore the following steps to search for or create your own Online Searches: Look for websites, forums, or blogs dedicated to Briggs Stratton Engine Repair Manual 21 Hp, Sometimes enthusiasts share their designs or concepts in PDF format. Books and Magazines Some Briggs Stratton Engine Repair Manual 21 Hp books or magazines might include. Look for these in online stores or libraries. Remember that while Briggs Stratton Engine Repair Manual 21 Hp, sharing copyrighted material without permission is not legal. Always ensure youre either creating your own or obtaining them from legitimate sources that allow sharing and downloading. Library Check if your local library offers eBook lending services. Many libraries have digital catalogs where you can borrow Briggs Stratton Engine Repair Manual 21 Hp eBooks for free, including popular titles. Online Retailers: Websites like Amazon, Google Books, or Apple Books often sell eBooks. Sometimes, authors or publishers offer promotions or free periods for certain books. Authors Website Occasionally, authors provide excerpts or short stories for free on their websites. While this might not be the Briggs Stratton Engine Repair Manual 21 Hp full book , it can give you a taste of the authors writing style. Subscription Services Platforms like Kindle Unlimited or Scribd offer subscription-based access to

a wide range of Briggs Stratton Engine Repair Manual 21 Hp eBooks, including some popular titles.

### FAQs About Briggs Stratton Engine Repair Manual 21 Hp Books

How do I know which eBook platform is the best for me? Finding the best eBook platform depends on your reading preferences and device compatibility. Research different platforms, read user reviews, and explore their features before making a choice. Are free eBooks of good quality? Yes, many reputable platforms offer high-quality free eBooks, including classics and public domain works. However, make sure to verify the source to ensure the eBook credibility. Can I read eBooks without an eReader? Absolutely! Most eBook platforms offer web-based readers or mobile apps that allow you to read eBooks on your computer, tablet, or smartphone. How do I avoid digital eye strain while reading eBooks? To prevent digital eye strain, take regular breaks, adjust the font size and background color, and ensure proper lighting while reading eBooks. What the advantage of interactive eBooks? Interactive eBooks incorporate multimedia elements, quizzes, and activities, enhancing the reader engagement and providing a more immersive learning experience. Briggs Stratton Engine Repair Manual 21 Hp is one of the best book in our library for free trial. We provide copy of Briggs Stratton Engine Repair Manual 21 Hp in digital format, so the resources that you find are reliable. There are also many Ebooks of related with Briggs Stratton Engine Repair Manual 21 Hp. Where to download Briggs Stratton Engine Repair Manual 21 Hp online for free? Are you looking for Briggs Stratton Engine Repair Manual 21 Hp PDF? This is definitely going to save you time and cash in something you should think about.

### Find Briggs Stratton Engine Repair Manual 21 Hp :

[bury me with my pearls](#)

[bullet enfield complete service manual](#)

[\*burger king queens village\*](#)

[business law 1 study guide](#)

[bundesnotarordnung bnoto herbert arndt](#)

[\*business communication solution manual\*](#)

**[burying water burying water 1 by k a tucker 2014 10 09](#)**

[bunny yeagers pin up girls of the 1960s](#)

**[business is a contact sport](#)**

**bush dabcr2003 manual**

**burn paula weston**

bulkowski visual guide

bus engine manual

burger king employee login

buisniess examples buss4

**Briggs Stratton Engine Repair Manual 21 Hp :**

Essentials of Business Communication - 9th Edition Find step-by-step solutions and answers to Essentials of Business Communication - 9781111821227, as well as thousands of textbooks so you can move forward ... Essentials Of Business Communication 9th Edition Access Essentials of Business Communication 9th Edition Chapter 2 solutions now. Our solutions are written by Chegg experts so you can be assured of the ... Solution Manual For Essentials of Business ... Dear Business Communication Instructor: My coauthor Dr. Dana Loewy and I are proud to present the Ninth Edition of Essentials of Business Communication! Essentials Of Business Communication Solution Manual Get instant access to our step-by-step Essentials Of Business Communication solutions manual. Our solution manuals are written by Chegg experts so you can ... Answers to 'Essentials of Business Communication' by ... by DDD Kyeyune · 2020 · Cited by 1 — Answers to 'Essentials of Business Communication' by Mary Ellen Guffey and Dana Loewy · Dr. Dorothy Delilah Kyeyune · Do you have negative results ... Business Communication: Process & Product (9th Edition) Access all of the textbook solutions and explanations for Guffey/Loewy's Business Communication: Process & Product (9th Edition). Essentials of Business Communication ESSENTIALS OF BUSINESS COMMUNICATION provides a four-in-one learning package: authoritative text, practical workbook, self-teaching grammar/mechanics handbook, ... Essentials of Business Communication, 10e Cengage Learning products are represented in Canada by Nelson Education, Ltd. To learn more about Cengage Learning Solutions, visit [www.cengage.com](http://www.cengage.com). Purchase ... Essentials of business communication [9th Canadian ed ... Be prepared to give your answers in a short presentation or in an email to your instructor. QUESTIONS: 1. How does what you've learned in this article change ... Essentials of Business Communication 9th edition Essentials of Business Communication 9th Edition is written by Guffey/Loewy/Almonte and published by Cengage Learning Canada Inc.. The Digital and eTextbook ... Yamaha TDM900 Service Manual 2002 2004 manuale di ... Manuale di assistenza per moto per l elemento a Yamaha TDM900 Service Manual 2002 2004, gratis! Yamaha TDM 900 Service Manual | PDF | Throttle Remove: S fuel tank Refer to FUEL TANK. S air filter case Refer to AIR FILTER CASE. 3. Adjust: S throttle cable free play NOTE: When the throttle is opened, the ... Yamaha Tdm 900 2002 2005 Manuale Servizio Rip Apr 25, 2013 — Read Yamaha Tdm 900 2002 2005 Manuale Servizio Rip by Nickie Frith



on Issuu and browse thousands of other publications on our platform. Manuale Officina ITA Yamaha TDM 900 2002 al 2014 Oct 8, 2023 — Manuale Officina ITA Yamaha TDM 900 2002 al 2014. Padova (PD). 12 €. T ... Scarica gratis l'App. Subito per Android · Subito per iOS. © 2023 ... Yamaha tdm 900 2001 2003 Manuale di riparazione Top 12 ricerche: ico scoalasoferigalat honda yamaha suzuki manual i aprilia manuale officina cmx 250 Virago 535 suzuki dr600 ford . Scegli la lingua: Rumeno. Manuali Kit montaggio GIVI x TDM850 · Kit montaggio GIVI x TDM900. Istruzioni per il montaggio di tutti i supporti GIVI per il TDM850 e 900 (PDF da 3 e da 6 Mb). MANUALE OFFICINA IN ITALIANO YAMAHA TDM 900 2002 Le migliori offerte per MANUALE OFFICINA IN ITALIANO YAMAHA TDM 900 2002 - 2014 sono su eBay ☐ Confronta prezzi e caratteristiche di prodotti nuovi e usati ... Yamaha TDM850'99 4TX-AE3 Service Manual View and Download Yamaha TDM850'99 4TX-AE3 service manual online. TDM850'99 4TX-AE3 motorcycle pdf manual download. Also for: Tdm850 1999. Amahl and the Night Visitors (Vocal Score) This vocal score is a new and revised edition of the well-known opera that made television history on Christmas Eve, 1951. Instrumentation. Piano; Vocal ... Menotti AMAHL AND THE NIGHT VISITORS Sep 20, 2013 — Opera and Music Theatre; score; G. Schirmer; musicsalesclassical.com; 30678. ... Menotti AMAHL AND THE NIGHT VISITORS. Page 1. ScoresOnDemand http ... Amahl and the Night Visitors: Vocal Score ... Book overview. (Vocal Score). This vocal score is a new and revised edition of the well-known opera that made television history on Christmas Eve, 1951. Amahl and The Night Visitors | PDF Aug 25, 2021 — ... VISITORS Gera m Que Ae Words and Music by GIAN-CARLO MENOTTI G. ... Orchestral materials and an arrangement of the orchestral score for two pianos ... Amahl and the Night Visitors (Vocal Score) Price: \$27.00 ... This vocal score is a new and revised edition of the well-known opera that made television history on Christmas Eve, 1951. Details. Publisher: G ... Gian Carlo Menotti - Amahl & the Night Visitors Vocal Score Sheet Music - £31.99 - Menotti;s enchanting opera of Amahl and the Night Visitors is presented here in a clearly printed vocal and piano score. Amahl and the Night Visitors Opera in One Act Words ... Amahl and the Night Visitors Opera in One Act Words and Music by Gian-Carlo Menotti. [Piano-vocal score] New York/London: G. Schirmer [PN 42736], [1952]. Amahl And The Night Visitors - Vocal Score by Gian Carlo ... This vocal score is a new and revised edition of the well-known opera that made television history on Christmas Eve, 1951. Amahl and the Night Visitors Features: This vocal score is a new and revised edition of the well-known opera that made television history on Christmas Eve, 1951. Table of Contents: ... Amahl And The Night Visitors - Vocal Score This vocal score is a new and revised edition of the well-known opera that made television history on Christmas Eve, 1951. Song List:.