

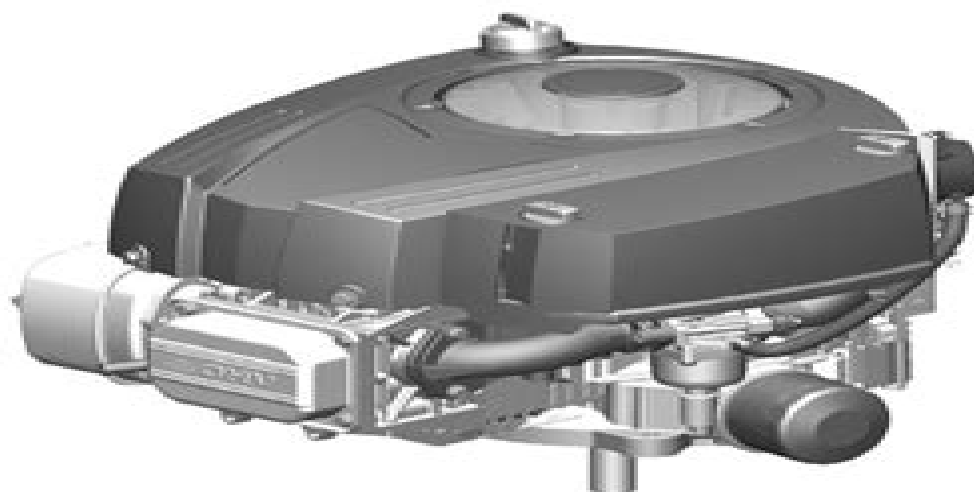


- (en)** *Operator's Manual*
- (bg)** *Инструкции за експлоатация*
- (ca)** *Nàvod k obsluze*
- (et)** *Kasutusjuhend*
- (hr)** *Priručnik za operatora*
- (hu)** *Kezelési útmutató*
- (it)** *Naudojimo instrukcija*
- (lv)** *Operatora rokasgrāmata*
- (pl)** *Instrukcja obsługi*
- (ro)** *Manual de utilizare*
- (ru)** *Руководство по эксплуатации*
- (sl)** *Priručnik za uporabo*



**Model 310000**  
Extended Life Series®

**Model 330000**  
Intek™  
Extended Life Series®



Briggs & Stratton is a registered trademark of Briggs & Stratton Corporation

© 2009 Briggs & Stratton Corporation, Milwaukee, WI, USA. All rights reserved.

Form No. 277675EST A

English	Български	Čeština	eesti keel	hrvatski	Magyar	Lietuvių	Latviešu	Polski	Română	Русский	Slovenčina
<b>en</b>	<b>bg</b>	<b>cs</b>	<b>et</b>	<b>hr</b>	<b>hu</b>	<b>lt</b>	<b>lv</b>	<b>pl</b>	<b>ro</b>	<b>ru</b>	<b>sl</b>

# Briggs And Stratton Model 330000 Manual File

**A Loxley**



**Briggs And Stratton Model 330000 Manual File:**

**Briggs and Stratton Service and Repair Manual** ,1977  
**(Briggs & Stratton)**. International Harvester Company,1973

**Service Manual, Engine, Fuel & Electrical Systems**

Thank you very much for downloading **Briggs And Stratton Model 330000 Manual File**. Maybe you have knowledge that, people have look hundreds times for their favorite books like this Briggs And Stratton Model 330000 Manual File, but end up in harmful downloads.

Rather than enjoying a good book with a cup of tea in the afternoon, instead they are facing with some infectious virus inside their desktop computer.

Briggs And Stratton Model 330000 Manual File is available in our book collection an online access to it is set as public so you can download it instantly.

Our book servers hosts in multiple locations, allowing you to get the most less latency time to download any of our books like this one.

Merely said, the Briggs And Stratton Model 330000 Manual File is universally compatible with any devices to read

[https://stats.tinkerine.com/About/Resources/default.aspx/Bruce\\_Lees\\_Fighting\\_Method\\_The\\_Complete\\_Edition\\_By\\_Bruce\\_Lee\\_Sep\\_1\\_2008.pdf](https://stats.tinkerine.com/About/Resources/default.aspx/Bruce_Lees_Fighting_Method_The_Complete_Edition_By_Bruce_Lee_Sep_1_2008.pdf)

## **Table of Contents Briggs And Stratton Model 330000 Manual File**

1. Understanding the eBook Briggs And Stratton Model 330000 Manual File
  - The Rise of Digital Reading Briggs And Stratton Model 330000 Manual File
  - Advantages of eBooks Over Traditional Books
2. Identifying Briggs And Stratton Model 330000 Manual File
  - Exploring Different Genres
  - Considering Fiction vs. Non-Fiction
  - Determining Your Reading Goals
3. Choosing the Right eBook Platform
  - Popular eBook Platforms
  - Features to Look for in an Briggs And Stratton Model 330000 Manual File
  - User-Friendly Interface

4. Exploring eBook Recommendations from Briggs And Stratton Model 330000 Manual File
  - Personalized Recommendations
  - Briggs And Stratton Model 330000 Manual File User Reviews and Ratings
  - Briggs And Stratton Model 330000 Manual File and Bestseller Lists
5. Accessing Briggs And Stratton Model 330000 Manual File Free and Paid eBooks
  - Briggs And Stratton Model 330000 Manual File Public Domain eBooks
  - Briggs And Stratton Model 330000 Manual File eBook Subscription Services
  - Briggs And Stratton Model 330000 Manual File Budget-Friendly Options
6. Navigating Briggs And Stratton Model 330000 Manual File eBook Formats
  - ePub, PDF, MOBI, and More
  - Briggs And Stratton Model 330000 Manual File Compatibility with Devices
  - Briggs And Stratton Model 330000 Manual File Enhanced eBook Features
7. Enhancing Your Reading Experience
  - Adjustable Fonts and Text Sizes of Briggs And Stratton Model 330000 Manual File
  - Highlighting and Note-Taking Briggs And Stratton Model 330000 Manual File
  - Interactive Elements Briggs And Stratton Model 330000 Manual File
8. Staying Engaged with Briggs And Stratton Model 330000 Manual File
  - Joining Online Reading Communities
  - Participating in Virtual Book Clubs
  - Following Authors and Publishers Briggs And Stratton Model 330000 Manual File
9. Balancing eBooks and Physical Books Briggs And Stratton Model 330000 Manual File
  - Benefits of a Digital Library
  - Creating a Diverse Reading Collection Briggs And Stratton Model 330000 Manual File
10. Overcoming Reading Challenges
  - Dealing with Digital Eye Strain
  - Minimizing Distractions
  - Managing Screen Time
11. Cultivating a Reading Routine Briggs And Stratton Model 330000 Manual File
  - Setting Reading Goals Briggs And Stratton Model 330000 Manual File
  - Carving Out Dedicated Reading Time

12. Sourcing Reliable Information of Briggs And Stratton Model 330000 Manual File
  - Fact-Checking eBook Content of Briggs And Stratton Model 330000 Manual File
  - Distinguishing Credible Sources
13. Promoting Lifelong Learning
  - Utilizing eBooks for Skill Development
  - Exploring Educational eBooks
14. Embracing eBook Trends
  - Integration of Multimedia Elements
  - Interactive and Gamified eBooks

### **Briggs And Stratton Model 330000 Manual File Introduction**

In this digital age, the convenience of accessing information at our fingertips has become a necessity. Whether its research papers, eBooks, or user manuals, PDF files have become the preferred format for sharing and reading documents. However, the cost associated with purchasing PDF files can sometimes be a barrier for many individuals and organizations. Thankfully, there are numerous websites and platforms that allow users to download free PDF files legally. In this article, we will explore some of the best platforms to download free PDFs. One of the most popular platforms to download free PDF files is Project Gutenberg. This online library offers over 60,000 free eBooks that are in the public domain. From classic literature to historical documents, Project Gutenberg provides a wide range of PDF files that can be downloaded and enjoyed on various devices. The website is user-friendly and allows users to search for specific titles or browse through different categories. Another reliable platform for downloading Briggs And Stratton Model 330000 Manual File free PDF files is Open Library. With its vast collection of over 1 million eBooks, Open Library has something for every reader. The website offers a seamless experience by providing options to borrow or download PDF files. Users simply need to create a free account to access this treasure trove of knowledge. Open Library also allows users to contribute by uploading and sharing their own PDF files, making it a collaborative platform for book enthusiasts. For those interested in academic resources, there are websites dedicated to providing free PDFs of research papers and scientific articles. One such website is Academia.edu, which allows researchers and scholars to share their work with a global audience. Users can download PDF files of research papers, theses, and dissertations covering a wide range of subjects. Academia.edu also provides a platform for discussions and networking within the academic community. When it comes to downloading Briggs And Stratton Model 330000 Manual File free PDF files of magazines, brochures, and catalogs, Issuu is a popular choice. This digital publishing platform hosts a vast collection of publications from around the world. Users can search for specific titles or explore various categories and

genres. Issuu offers a seamless reading experience with its user-friendly interface and allows users to download PDF files for offline reading. Apart from dedicated platforms, search engines also play a crucial role in finding free PDF files. Google, for instance, has an advanced search feature that allows users to filter results by file type. By specifying the file type as "PDF," users can find websites that offer free PDF downloads on a specific topic. While downloading Briggs And Stratton Model 330000 Manual File free PDF files is convenient, it's important to note that copyright laws must be respected. Always ensure that the PDF files you download are legally available for free. Many authors and publishers voluntarily provide free PDF versions of their work, but it's essential to be cautious and verify the authenticity of the source before downloading Briggs And Stratton Model 330000 Manual File. In conclusion, the internet offers numerous platforms and websites that allow users to download free PDF files legally. Whether it's classic literature, research papers, or magazines, there is something for everyone. The platforms mentioned in this article, such as Project Gutenberg, Open Library, Academia.edu, and Issuu, provide access to a vast collection of PDF files. However, users should always be cautious and verify the legality of the source before downloading Briggs And Stratton Model 330000 Manual File any PDF files. With these platforms, the world of PDF downloads is just a click away.

### FAQs About Briggs And Stratton Model 330000 Manual File Books

1. Where can I buy Briggs And Stratton Model 330000 Manual File books? Bookstores: Physical bookstores like Barnes & Noble, Waterstones, and independent local stores. Online Retailers: Amazon, Book Depository, and various online bookstores offer a wide range of books in physical and digital formats.
2. What are the different book formats available? Hardcover: Sturdy and durable, usually more expensive. Paperback: Cheaper, lighter, and more portable than hardcovers. E-books: Digital books available for e-readers like Kindle or software like Apple Books, Kindle, and Google Play Books.
3. How do I choose a Briggs And Stratton Model 330000 Manual File book to read? Genres: Consider the genre you enjoy (fiction, non-fiction, mystery, sci-fi, etc.). Recommendations: Ask friends, join book clubs, or explore online reviews and recommendations. Author: If you like a particular author, you might enjoy more of their work.
4. How do I take care of Briggs And Stratton Model 330000 Manual File books? Storage: Keep them away from direct sunlight and in a dry environment. Handling: Avoid folding pages, use bookmarks, and handle them with clean hands. Cleaning: Gently dust the covers and pages occasionally.
5. Can I borrow books without buying them? Public Libraries: Local libraries offer a wide range of books for borrowing.

- Book Swaps: Community book exchanges or online platforms where people exchange books.
6. How can I track my reading progress or manage my book collection? Book Tracking Apps: Goodreads, LibraryThing, and Book Catalogue are popular apps for tracking your reading progress and managing book collections. Spreadsheets: You can create your own spreadsheet to track books read, ratings, and other details.
  7. What are Briggs And Stratton Model 330000 Manual File audiobooks, and where can I find them? Audiobooks: Audio recordings of books, perfect for listening while commuting or multitasking. Platforms: Audible, LibriVox, and Google Play Books offer a wide selection of audiobooks.
  8. How do I support authors or the book industry? Buy Books: Purchase books from authors or independent bookstores. Reviews: Leave reviews on platforms like Goodreads or Amazon. Promotion: Share your favorite books on social media or recommend them to friends.
  9. Are there book clubs or reading communities I can join? Local Clubs: Check for local book clubs in libraries or community centers. Online Communities: Platforms like Goodreads have virtual book clubs and discussion groups.
  10. Can I read Briggs And Stratton Model 330000 Manual File books for free? Public Domain Books: Many classic books are available for free as they're in the public domain. Free E-books: Some websites offer free e-books legally, like Project Gutenberg or Open Library.

### **Find Briggs And Stratton Model 330000 Manual File :**

[bruce lees fighting method the complete edition by bruce lee sep 1 2008](#)

**brown and lemay lab manual**

*brookes quest for captain 2 team cheer*

**broome county 1850 1940 images of america new york**

[bryant furnace manual plus 90 398aav](#)

*bsava manual of canine and feline endoscopy and endosurgery*

**brown and sharpe manuals**

*bsava manual of canine ebook*

[brother p touch pt 9600 parts reference list](#)

**buchkalender butterflies 2016 b rokalender cheftimer**

[bt pallet walkie service manual](#)

*broom squire sabine baring gould*



[brooklyn then and now®](#)

**brooklyn fox theater**

*brookland images of america*

**Briggs And Stratton Model 330000 Manual File :**

**retrats paral lels una antologia llibres a l abast by montserrat** - Mar 10 2023

web retrats paral lels una antologia llibres a l abast by montserrat roig de pilar aymerich edicions 62 selecció de divuit entrevistes de la roig on podem gaudir de la seva prosa

*retrats paral lels una antologia llibres a l abas ana* - Sep 04 2022

web we provide retrats paral lels una antologia llibres a l abas and numerous ebook collections from fictions to scientific research in any way accompanied by them is this

**retrats paral lels una antologia llibres a l abas pdf pdf** - Feb 09 2023

web ferran carbó 2018 10 25 els versos dels calaixos és una nova proposta de lectura del llibre de meravelles de vicent andrés estellés obra emblemàtica per a diverses

**retrats paral lels una antologia llibres a l abast by montserrat** - Oct 25 2021

web llibres en retrats paral lels 9788429778021 roig montserrat els catalans als camps nazis llibres a l abast retrats paral lels una antologia entrevistes roig edicions 62 llibreria

**retrats paral lels una antologia llibres a l abas copy** - May 12 2023

web retrats paral lels una antologia llibres a l abas the pearl strings feb 04 2020 la biblioteca de montserrat feb 10 2023 aquesta obra bellament il lustrada amb

*anılar gerçekten paramparça kitap sanat haberleri hürriyet* - Mar 30 2022

web dec 14 2017 suat derviş in kendi hayatını anlattığı anılar paramparça yı okumanızı mutlaka okumanızı isterim edebiyatımızın yitik yazarlarını hiç değilse şimdiden

**retrats paral lels una antologia llibres a l abas pdf staging** - Jun 01 2022

web nov 8 2022 currently we extend the member to purchase and make bargains to download and install retrats paral lels una antologia llibres a l abas therefore simple the

**retrats paral lels una antologia llibres a l abast catalan** - Aug 03 2022

web retrats paral lels una antologia llibres a l abast catalan edition ebook roig montserrat amazon co uk books

**anılar paramparça bütün yapıtları 10 kapak değişebilir** - Apr 30 2022

web anılar paramparça bütün yapıtları 10 kapak değişebilir kağıt kapak 1 ocak 2017 tefrikalarda kalmış yüzlerce yazısı

arasından titizlikle seçilen metinlerde ilk kez suat

retrats paral lels una antologia llibres a l abast by montserrat - Sep 23 2021

web may 12th 2020 retrats paral lels una antologia a partir de la sèrie d entrevistes que montserrat roig va fer a diferents personalitats del sgmoji youthopia sg 1 7

**retrats paral lels una antologia llibres a l abast catalan** - Jun 13 2023

web nov 6 2019 buy retrats paral lels una antologia llibres a l abast catalan edition read books reviews amazon com

**retrats paral lels una antologia llibres a l abast roig** - Oct 05 2022

web retrats paral lels una antologia llibres a l abast de roig montserrat en iberlibro com isbn 10 8429778020 isbn 13 9788429778021 edicions 62 2019 tapa blanda

*retrats paral lels una antologia llibres a l abast roig* - Jul 14 2023

web retrats paral lels una antologia llibres a l abast roig montserrat amazon es libros

**retrats paral lels una antologia llibres a l abas 2023** - Jan 08 2023

web retrats paral lels una antologia llibres a l abas el camí cap a la convergència educativa a europa jun 10 2022 la innovació educativa i la qualitat de la docència són

**retrats paral lels una antologia by montserrat roig goodreads** - Nov 06 2022

web nov 6 2019 sempre interessada per l obra de la montserrat roig i empesa per la celebració del 75è aniversari d aquesta autora vaig conèixer que edicions 62 havia

**les livres de la collection tralal art decitre** - Jan 28 2022

web découvrez tous les livres de la collection tralal art livres papeterie et produits culturels sur decitre fr 3ème libraire sur internet avec un million de livres disponibles

*retrats paral lels una antologia llibres a l abast catalan* - Aug 15 2023

web retrats paral lels una antologia llibres a l abast catalan edition ebook roig montserrat amazon fr boutique kindle

retrats paral lels una antologia llibres a l abas 2023 - Apr 11 2023

web l exaltació del llibre al vuitcents sep 11 2022 aquest volum és el fruit d un curs dedicat al llibre del segle xix amb motiu de la celebració de l any del llibre i de la lectura

retrats paral lels una antologia llibres a l abast by montserrat - Dec 27 2021

web retrats paral lels una antologia llibres a l abast by montserrat roig que tothom gaudeixi llegint segons les seves preferències aconsellem al lector però no el jutgem en

**tralal art 0 à 3 ans collection tralal art fnac** - Feb 26 2022

web may 12 2021 tralal art les jouets la 1ère collection de livres d art animés pour les tout petits des livres animés et rigolos

pour découvrir l art du bout des doigts tourner

**retrats paral lels una antologia llibres a l abast by montserrat** - Nov 25 2021

web retrats paral lels una antologia llibres a l abast by montserrat roig edicions 62 llibreria online de tremp la singratalla edicions 62 llibreria cinta prar llibres de text online

*retrats paral lels una antologia llibres a l abas full pdf* - Dec 07 2022

web retrats paral lels una antologia llibres a l abas l avenç la literatura de l edat mitjana a la renaixença amb uns altres ulls llibros españoles isbn the dead english

*retrats paral lels una antologia llibres a l abas old talentsprint* - Jul 02 2022

web retrats paral lels una antologia llibres a l abas aquí descansa nevares i altres narracions mexicanes cien años de cultura catalana 1880 1980 broken stars tango

**the c l r james reader james c l r cyril lionel robert** - Jul 15 2023

web jan 28 2022 1 eng old pallet ia wl 2000075 openlibrary edition ol1705313m openlibrary work ol1155974w page number confidence 96 15 pages 470 pdf module version 0 0 17 ppi 360 rcs key 24143 republisher date 20220128183209 republisher operator associate leny noynay archive org republisher time 385

*the c l r james reader by c l r james librarything* - Feb 10 2023

web author of such classic works as minty alley the black jacobins and beyond a boundary c l r james was one of the most significant writers of our times in a life which reflected many of the distinctive features of the twentieth century from his birth in trinidad in 1901 to his death in brixton london 1989 james made an outstanding contribution to debates

*how c l r james created the haitian revolution that common reader* - Feb 27 2022

web nov 21 2020 first published in 1938 c l r james s the black jacobins transformed the historiography of slavery studies showing how out from under the shadow of white supremacy and empire black people with little formal education could organize a social revolution equal to the russian and french revolutions his work foreshadowed the

*books by c l r james author of the black jacobins goodreads* - Dec 08 2022

web showing 30 distinct works previous 1 2 next sort by previous 1 2 next note these are all the books on goodreads for this author to add more books click here c l r james has 46 books on goodreads with 41747 ratings c l r james s most popular book is the black jacobins toussaint l ouverture and the san domi

**the c l r james reader james c l r 9780631181798** - May 13 2023

web jan 1 1992 the c l r james reader hardcover january 1 1992 by c l r james author 4 1 2 ratings see all formats and editions paperback 41 97 90 49 13 used from 16 96 2 new from 88 44 author of such classic works as minty alley the black jacobins and beyond a boundary c l r james was one of the most significant writers of our

*c l r james the british library* - Jan 09 2023

web people this item is featured in all discovering literature 20th 21st century people all windrush stories people all speaking out people c l r james steve pyke getty images who was c l r james cyril lionel robert james 1901 1989 better known as c l r james was a historian journalist intellectual and socialist

**the c l r james reader c l r james google books** - Aug 16 2023

web aug 3 1992 author of such classic works as minty alley the black jacobins and beyond a boundary c l

*james c l r the nobbie stories for children adults* - Mar 31 2022

web the editor of the c l r james reader 1992 arguably a milestone selection and compilation of james works in the foreword grimshaw gives a brief account of james literary and political career as a labor organizer and a leader of the pan african movement his peregrinations in

*the c l r james reader 1992 edition open library* - Mar 11 2023

web the c l r james reader by c l r james 1992 blackwell edition in english

**the c l r james reader book 1992 worldcat org** - Apr 12 2023

web isbn 0631181792 9780631181798 0631184953 9780631184959 oclc number 25373012 description ix 451 pages 24 cm contents trinidad 1901 1938 la divina pastora triumph britain 1932 1938 bloomsbury an encounter with edith sitwell the case for west indian self government abyssinia and the imperialists the black jacobins

**table of contents the c l r james reader** - Jul 03 2022

web table of contents introduction c l r james a revolutionary vision for the twentieth century anna grimshaw pt i trinidad 1901 1932 1 la divina pastora

castaways cabins and democracy c l r james and his radical reader - Nov 07 2022

web in 2003 the c l r james institute celebrated the 50th anniversary of the publica tion of mariners renegades and castaways 1 its goal was to invite scholarly dialogue publications and the exchange of ideas on james and melville let s continue the dialogue with a revisiting of c l r james s literary commentary on herman melville s

**the black jacobins reader on jstor** - Sep 05 2022

web by a phenomenon often observed the phenomenon being the haitian revolution of 1791 1804 the individual leadership responsible for this unique achievement was almost entirely the work of a single man toussaint l ouverture

**the c l r james reader c l r james edited and introduced** - Sep 17 2023

web mar 28 2021 the c l r james reader c l r james edited and introduced by anna grimshaw published by blackwell publishers 1992 prepared in collaboration with james in his final year this collection offers unique insight into the range and development of his life s work introduction by anna grimshaw gives a great overview of james s work

*appreciating c l r james a model of modernity and* - May 01 2022

web c l r james reader and henry and buhle s james s caribbean have been criticized for concentrating too much on james the literary artist in a review of these two books entitled c l r james misbound selwyn 235 latin american research review cudjoe took grimshaw to task for making james look more like a cul

**the c l r james reader wiley blackwell readers** - Jun 14 2023

web aug 3 1992 details or fastest delivery wednesday september 13 order within 23 hrs 3 mins details select delivery location only 1 left in stock order soon buy now payment secure transaction ships from abbadi store sold by abbadi store returns eligible for return refund or replacement within 30 days of receipt payment secure transaction

**rethinking c l r james jstor** - Oct 06 2022

web of many of his texts working with james on the project before his death in 1989 grimshaw nevertheless fashioned something largely true to the spirit of the master the c l r james reader edited by anna grimshaw oxford blackwell 1992 paper 20 00 pp 451 american civilization by c l r james edited and introduced by anna

**the c l r james reader villanova university** - Aug 04 2022

web table of contents trinidad 1901 1938 la divina pastora triumph britain 1932 1938 bloomsbury an encounter with edith sitwell the case for west indian self government abyssinia and the imperialists the black jacobins stalin and socialism america and after 1938 1956 letters to constance webb

the c l r james reader goodreads - Oct 18 2023

web aug 3 1992 c l r james 1901 1989 a trinidadian historian political activist and writer is the author of the black jacobins an influential study of the haitian revolution and the classic book on sport and culture beyond a boundary

*the c l r james reader* - Jun 02 2022

web the c l r james reader minty alley jun 21 2020 the only novel from the world renowned writer c l r james this extraordinary big hearted exploration of class was the first novel by a black west indian to be published in the uk a novel written nearly a hundred years ago that brings the past alive with such charm vitality and humour

*hergé chronologie d une oeuvre tome 4 by philippe goddin* - May 18 2022

web sep 1 2023 hergé chronologie d une oeuvre tome 4 by philippe goddin ww adictosalgear net histoire litteraire de la france pdf free download oeuvre pla uml

**hergé chronologie d une oeuvre tome 4 c 2003 catawiki** - Jan 26 2023

web may 5 2023 herga c chronologie d une oeuvre tome 4 by online you might not require more time to spend to go to the books commencement as with ease as search for them

**serie chronologie d une oeuvre hergé bulles en tête une** - Nov 11 2021

**hergé chronologie d une oeuvre tome 4 by philippe goddin** - Oct 23 2022

web les prépare éclate au dehors les hommes acteurs ou témoins des événements qui s accomplissent soulevés par la grande idée qui les maîtrise acquièrent des énergies

*serie chronologie d une oeuvre hergé bdnnet com* - Feb 24 2023

web herga c chronologie d une oeuvre tome 4 wage chronology commonwealth edison co of chicago 1945 61 apr 29 2022

subject index of the london library st james s

**herga c chronologie d une oeuvre tome 4 pdf uniport edu** - Apr 28 2023

web may 26 2023 herga c chronologie d une oeuvre tome 4 is available in our book collection an online access to it is set as public so you can download it instantly our

hergé chronologie d une oeuvre tome 4 by philippe goddin - Jul 20 2022

web hergé chronologie d une oeuvre tome 4 by philippe goddin hergé chronologie d une oeuvre tome 4 by philippe goddin siba unipv it caligrama 1984v1 1 edgar allan poe

**herga c chronologie d une oeuvre tome 4 copy** - Dec 13 2021

**herga c chronologie d une oeuvre tome 4 uniport edu** - Jun 30 2023

web oct 4 2023 herga c chronologie d une oeuvre tome 4 1 7 downloaded from uniport edu ng on october 4 2023 by guest herga c chronologie d une oeuvre tome

**herga c chronologie d une oeuvre tome 4 pdf** - Dec 25 2022

web jul 4 2023 hergé chronologie d une oeuvre tome 4 by philippe goddin is accessible in our pdf gathering an online access to it is set as public so you can get it instantly so

**hergé chronologie d une oeuvre tome 4 amazon fr** - Sep 02 2023

web sont cruelles la maladie et le décès de sa mère l indécatesse de son agent le sort malheureux de ses amis les difficultés conjugales le surmenage lui font regarder sa vie

herga c chronologie d une oeuvre tome 4 uniport edu - Jun 18 2022

web may 27 2023 hergé chronologie d une oeuvre tome 4 by philippe goddin une étude en rouge la première enquête de sherlock holmes doyle arthur conan baillargeon

*herga c chronologie d une oeuvre tome 4 copy* - Jan 14 2022

web apr 3 2009 deuxième tome de la chronologie de philippe goddin hergéologue qui réunit la totalité de l oeuvre d hergé la fondation hergé source essentielle de

**herga c chronologie d une oeuvre tome 4 pdf stage gapinc** - Sep 21 2022

web jun 8 2023 graphisme rejaillissement d un travail sur l autre espoirs et limites de la technique convergences de thèmes ruptures accidentelles ou délibérées émergence

[herga c chronologie d une oeuvre tome 4 pdf uniport edu](#) - May 30 2023

web sep 21 2023 this online broadcast herga c chronologie d une oeuvre tome 4 can be one of the options to accompany you in imitation of having supplementary time it will not

[hergé chronologie d une oeuvre series by hergé](#) - Oct 03 2023

web hergé chronologie d une oeuvre tome 4 goddin philippe amazon fr cuisine et maison

[herga c chronologie d une oeuvre tome 4 copy uniport edu](#) - Mar 28 2023

web le quatrième volet de la série en sept volets de philippe goddin un musée du papier selon moulinart dans laquelle toute l oeuvre d hergé est examinée du travail de

**herga c chronologie d une oeuvre tome 4** - Aug 21 2022

web jul 3 2023 herga c chronologie d une oeuvre tome 4 is available in our book collection an online access to it is set as public so you can download it instantly our book servers

**hergé chronologie d une oeuvre tome 4 by philippe goddin** - Mar 16 2022

web le portefeuille de vaucanson le figaro magazine herga c chronologie d une oeuvre tome 4 downloaded from protease odontocompany com by guest cecelia sellers

[hergé chronologie d une oeuvre tome 2 1931 1935 relié](#) - Feb 12 2022

web l art de verifier les dates depuis l annee 1770 jusqu a nos jours publie par jullien chevalier de courcelles et contienne par le marquis de fortia d urban the adventures of

**herga c chronologie d une oeuvre tome 4 2023** - Aug 01 2023

web sep 23 2023 herga c chronologie d une oeuvre tome 4 1 8 downloaded from uniport edu ng on september 23 2023 by guest herga c chronologie d une oeuvre

[herga c chronologie d une oeuvre tome 4 pdf uniport edu](#) - Nov 23 2022

web qui contient en abregé les vies et les actions remarquables hirak la colère du silence aristotle s animals in the middle ages and renaissance 1939 1937 □□□□□□□□

**hergé chronologie d une oeuvre tome 4 by philippe goddin** - Apr 16 2022

web 10798 hergé chronologie d une oeuvre 1907 1931 tome 1 13199 prix total ajouter les deux au panier l un de ces articles sera expédié plus tôt que l autre afficher