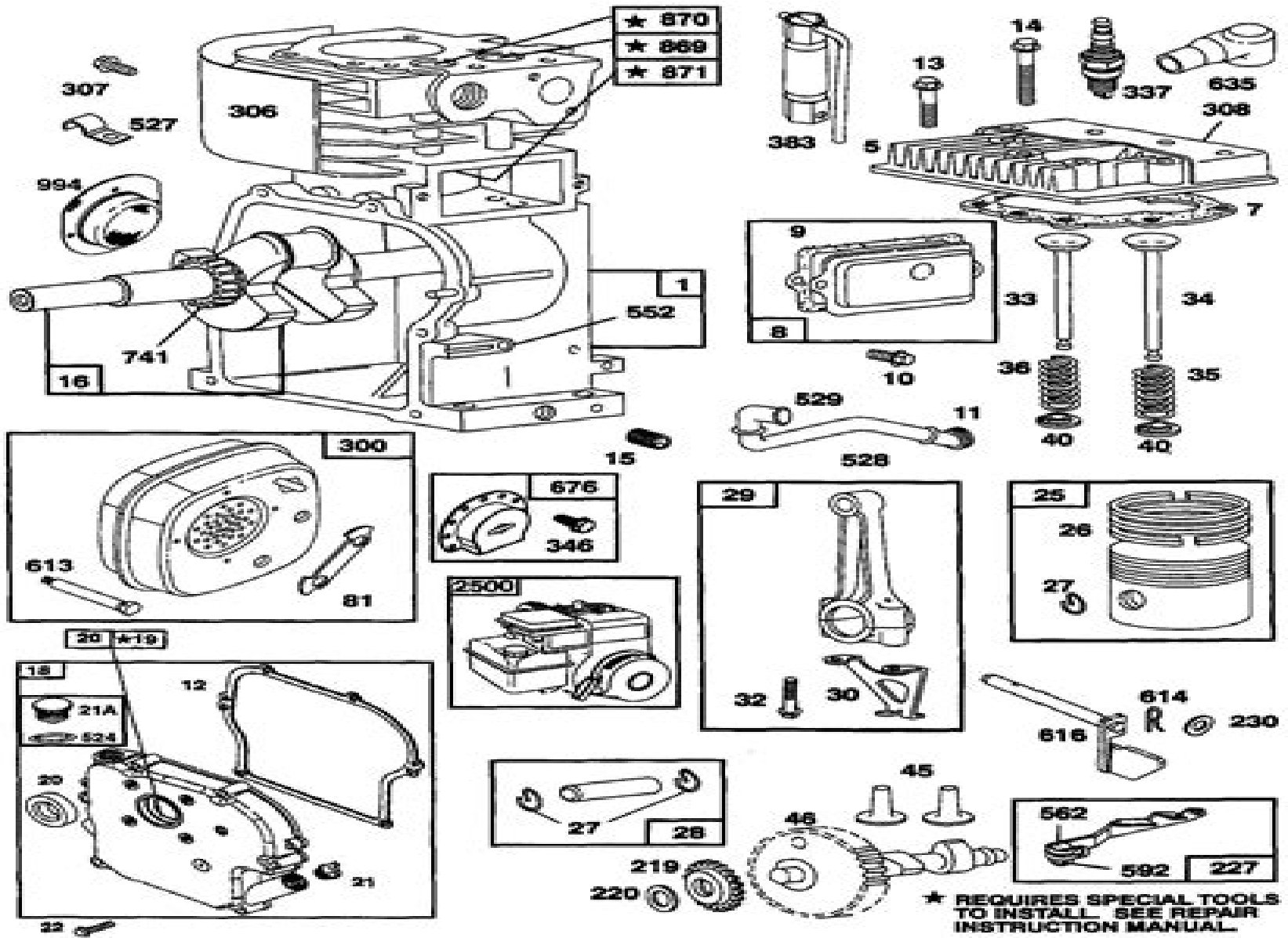


BRIGGS AND STRATTON ENGINE - MODEL NO. 137202-1117-E1



★ REQUIRES SPECIAL TOOLS TO INSTALL. SEE REPAIR INSTRUCTION MANUAL.

Briggs And Stratton 42e707 Manual

Karin Nielsen-Saines



Briggs And Stratton 42e707 Manual:

Briggs and Stratton Service and Repair Manual ,1977

Repair Instructions Briggs and Stratton Corp,1973

Briggs & Stratton repair instructions IV, original service parts ,1973

Service Manual, Engine, Fuel & Electrical

Systems (Briggs & Stratton). International Harvester Company,1973

Small Tractor Manual ,1965

Field Marshall

Diesel Tractor Series 3 Marshall, Sons & Company,1928

Hollander Interchange Manuals Hollander,2004-09-01

Automotive parts interchange and identification information

Massey-Ferguson 35 Tractor ,1963

Embark on a transformative journey with is captivating work, Discover the Magic in **Briggs And Stratton 42e707 Manual** . This enlightening ebook, available for download in a convenient PDF format PDF Size: , invites you to explore a world of boundless knowledge. Unleash your intellectual curiosity and discover the power of words as you dive into this riveting creation. Download now and elevate your reading experience to new heights .

<https://stats.tinkerine.com/data/virtual-library/default.aspx/Btec%20Sport%20Unit%20One%20Grade%20Boundaries%202014.pdf>

Table of Contents Briggs And Stratton 42e707 Manual

1. Understanding the eBook Briggs And Stratton 42e707 Manual
 - The Rise of Digital Reading Briggs And Stratton 42e707 Manual
 - Advantages of eBooks Over Traditional Books
2. Identifying Briggs And Stratton 42e707 Manual
 - Exploring Different Genres
 - Considering Fiction vs. Non-Fiction
 - Determining Your Reading Goals
3. Choosing the Right eBook Platform
 - Popular eBook Platforms
 - Features to Look for in an Briggs And Stratton 42e707 Manual
 - User-Friendly Interface
4. Exploring eBook Recommendations from Briggs And Stratton 42e707 Manual
 - Personalized Recommendations
 - Briggs And Stratton 42e707 Manual User Reviews and Ratings
 - Briggs And Stratton 42e707 Manual and Bestseller Lists
5. Accessing Briggs And Stratton 42e707 Manual Free and Paid eBooks
 - Briggs And Stratton 42e707 Manual Public Domain eBooks
 - Briggs And Stratton 42e707 Manual eBook Subscription Services

- Briggs And Stratton 42e707 Manual Budget-Friendly Options
- 6. Navigating Briggs And Stratton 42e707 Manual eBook Formats
 - ePub, PDF, MOBI, and More
 - Briggs And Stratton 42e707 Manual Compatibility with Devices
 - Briggs And Stratton 42e707 Manual Enhanced eBook Features
- 7. Enhancing Your Reading Experience
 - Adjustable Fonts and Text Sizes of Briggs And Stratton 42e707 Manual
 - Highlighting and Note-Taking Briggs And Stratton 42e707 Manual
 - Interactive Elements Briggs And Stratton 42e707 Manual
- 8. Staying Engaged with Briggs And Stratton 42e707 Manual
 - Joining Online Reading Communities
 - Participating in Virtual Book Clubs
 - Following Authors and Publishers Briggs And Stratton 42e707 Manual
- 9. Balancing eBooks and Physical Books Briggs And Stratton 42e707 Manual
 - Benefits of a Digital Library
 - Creating a Diverse Reading Collection Briggs And Stratton 42e707 Manual
- 10. Overcoming Reading Challenges
 - Dealing with Digital Eye Strain
 - Minimizing Distractions
 - Managing Screen Time
- 11. Cultivating a Reading Routine Briggs And Stratton 42e707 Manual
 - Setting Reading Goals Briggs And Stratton 42e707 Manual
 - Carving Out Dedicated Reading Time
- 12. Sourcing Reliable Information of Briggs And Stratton 42e707 Manual
 - Fact-Checking eBook Content of Briggs And Stratton 42e707 Manual
 - Distinguishing Credible Sources
- 13. Promoting Lifelong Learning
 - Utilizing eBooks for Skill Development
 - Exploring Educational eBooks
- 14. Embracing eBook Trends

- Integration of Multimedia Elements
- Interactive and Gamified eBooks

Briggs And Stratton 42e707 Manual Introduction

Briggs And Stratton 42e707 Manual Offers over 60,000 free eBooks, including many classics that are in the public domain. Open Library: Provides access to over 1 million free eBooks, including classic literature and contemporary works. Briggs And Stratton 42e707 Manual Offers a vast collection of books, some of which are available for free as PDF downloads, particularly older books in the public domain. Briggs And Stratton 42e707 Manual : This website hosts a vast collection of scientific articles, books, and textbooks. While it operates in a legal gray area due to copyright issues, its a popular resource for finding various publications. Internet Archive for Briggs And Stratton 42e707 Manual : Has an extensive collection of digital content, including books, articles, videos, and more. It has a massive library of free downloadable books. Free-eBooks Briggs And Stratton 42e707 Manual Offers a diverse range of free eBooks across various genres. Briggs And Stratton 42e707 Manual Focuses mainly on educational books, textbooks, and business books. It offers free PDF downloads for educational purposes. Briggs And Stratton 42e707 Manual Provides a large selection of free eBooks in different genres, which are available for download in various formats, including PDF. Finding specific Briggs And Stratton 42e707 Manual, especially related to Briggs And Stratton 42e707 Manual, might be challenging as theyre often artistic creations rather than practical blueprints. However, you can explore the following steps to search for or create your own Online Searches: Look for websites, forums, or blogs dedicated to Briggs And Stratton 42e707 Manual, Sometimes enthusiasts share their designs or concepts in PDF format. Books and Magazines Some Briggs And Stratton 42e707 Manual books or magazines might include. Look for these in online stores or libraries. Remember that while Briggs And Stratton 42e707 Manual, sharing copyrighted material without permission is not legal. Always ensure youre either creating your own or obtaining them from legitimate sources that allow sharing and downloading. Library Check if your local library offers eBook lending services. Many libraries have digital catalogs where you can borrow Briggs And Stratton 42e707 Manual eBooks for free, including popular titles. Online Retailers: Websites like Amazon, Google Books, or Apple Books often sell eBooks. Sometimes, authors or publishers offer promotions or free periods for certain books. Authors Website Occasionally, authors provide excerpts or short stories for free on their websites. While this might not be the Briggs And Stratton 42e707 Manual full book , it can give you a taste of the authors writing style. Subscription Services Platforms like Kindle Unlimited or Scribd offer subscription-based access to a wide range of Briggs And Stratton 42e707 Manual eBooks, including some popular titles.

FAQs About Briggs And Stratton 42e707 Manual Books

How do I know which eBook platform is the best for me? Finding the best eBook platform depends on your reading preferences and device compatibility. Research different platforms, read user reviews, and explore their features before making a choice. Are free eBooks of good quality? Yes, many reputable platforms offer high-quality free eBooks, including classics and public domain works. However, make sure to verify the source to ensure the eBook credibility. Can I read eBooks without an eReader? Absolutely! Most eBook platforms offer webbased readers or mobile apps that allow you to read eBooks on your computer, tablet, or smartphone. How do I avoid digital eye strain while reading eBooks? To prevent digital eye strain, take regular breaks, adjust the font size and background color, and ensure proper lighting while reading eBooks. What the advantage of interactive eBooks? Interactive eBooks incorporate multimedia elements, quizzes, and activities, enhancing the reader engagement and providing a more immersive learning experience. Briggs And Stratton 42e707 Manual is one of the best book in our library for free trial. We provide copy of Briggs And Stratton 42e707 Manual in digital format, so the resources that you find are reliable. There are also many Ebooks of related with Briggs And Stratton 42e707 Manual. Where to download Briggs And Stratton 42e707 Manual online for free? Are you looking for Briggs And Stratton 42e707 Manual PDF? This is definitely going to save you time and cash in something you should think about. If you trying to find then search around for online. Without a doubt there are numerous these available and many of them have the freedom. However without doubt you receive whatever you purchase. An alternate way to get ideas is always to check another Briggs And Stratton 42e707 Manual. This method for see exactly what may be included and adopt these ideas to your book. This site will almost certainly help you save time and effort, money and stress. If you are looking for free books then you really should consider finding to assist you try this. Several of Briggs And Stratton 42e707 Manual are for sale to free while some are payable. If you arent sure if the books you would like to download works with for usage along with your computer, it is possible to download free trials. The free guides make it easy for someone to free access online library for download books to your device. You can get free download on free trial for lots of books categories. Our library is the biggest of these that have literally hundreds of thousands of different products categories represented. You will also see that there are specific sites catered to different product types or categories, brands or niches related with Briggs And Stratton 42e707 Manual. So depending on what exactly you are searching, you will be able to choose e books to suit your own need. Need to access completely for Campbell Biology Seventh Edition book? Access Ebook without any digging. And by having access to our ebook online or by storing it on your computer, you have convenient answers with Briggs And Stratton 42e707 Manual To get started finding Briggs And Stratton 42e707 Manual, you are right to find our website which has a comprehensive collection of books online. Our library is the biggest of these that have literally hundreds of thousands of different products represented. You will also see that there are specific sites catered to different categories or niches related with Briggs And

Stratton 42e707 Manual So depending on what exactly you are searching, you will be able to choose ebook to suit your own need. Thank you for reading Briggs And Stratton 42e707 Manual. Maybe you have knowledge that, people have searched numerous times for their favorite readings like this Briggs And Stratton 42e707 Manual, but end up in harmful downloads. Rather than reading a good book with a cup of coffee in the afternoon, instead they juggled with some harmful bugs inside their laptop. Briggs And Stratton 42e707 Manual is available in our book collection an online access to it is set as public so you can download it instantly. Our digital library spans in multiple locations, allowing you to get the most less latency time to download any of our books like this one. Merely said, Briggs And Stratton 42e707 Manual is universally compatible with any devices to read.

Find Briggs And Stratton 42e707 Manual :

[btec sport unit one grade boundaries 2014](#)

[brush bandit 200 manual](#)

bt freestyle 225 user guide

[bruce lees fighting method the complete edition by bruce lee sep 1 2008](#)

[buanuel lorca dala el enigma sin fin](#)

[brooding billionaire impoverished princess harlequin comics](#)

[brush bandit model 90xp service manual](#)

broward cjbac study guide

[bronx enthusiasts complete restaurant guide](#)

[bryant 398aaz service manual](#)

bruno moinard du trait lumiere

[bruce nauman the true artist](#)

[brown paper teddy bear](#)

[brookstone projection clock manual](#)

[brownian motion and stochastic calculus](#)

Briggs And Stratton 42e707 Manual :

code assurances 2018 abebooks - May 11 2023

web code des assurances code de la mutualité 2018 annoté et commenté 24e éd and a great selection of related books art

and collectibles available now at abebooks co uk

cima code assurances portail du droit des 24 pays d afrique - Apr 29 2022

web hÇÚxv ìfÔ éé n jòwâge œoÄ s ÚfÛ Ú æÔt äžÿÖËÿf é ã tmkc 3Äzf eeqæ y ÉÔ 9 Œõ iëmñf ýfá ýh âqÿœü é Œêwÿézt¾

code des assurances edition 2018 amazon singapore - Oct 16 2023

web hello select your address all

code des assurances définition assurland com - Aug 02 2022

web le code des assurances renferme l ensemble des lois et règlements qui régissent les sociétés d assurance et les rapports entre assureurs et assurés le code des

code des assurances edition 2018 by la bibliothèque juridique - Jun 12 2023

web code des assurances edition 2018 la bibliothèque juridique présente le texte officiel du code des assurances français dans son intégralité ce livre le texte intégral du

extrait code des assurances 2018 by infopro digital issuu - Nov 05 2022

web sep 20 2017 code des assurances 2018 code des le choix des professionne ls depuis 40 an s lt assurances commentÉ 34e édition isbn 978 2 35474 265

code des assurances edition 2018 by la bibliothèque juridique - Sep 03 2022

web code des assurances edition 2018 by la bibliothèque juridique code des assurances tlcharger le pdf 2020 code des assurances code de la mutualit 2017 annot et info

code des assurances edition 2018 paperback sundog books - Nov 24 2021

web la biblioth que juridique pr sente le texte officiel du code des assurances fran ais dans son int gralit ce livre contient le texte int gral du code des assurances une table

code cima fanaf federation des societes d assurances de - Jul 01 2022

web nov 13 2018 le code des assurances cima nouvelle Édition 2018 share article previous rÉglement n 007 cima pcma pce 2018modifiant et complÉtant

code des assurances edition 2018 paperback the toadstool - Apr 10 2023

web la biblioth que juridique pr sente le texte officiel du code des assurances fran ais dans son int gralit ce livre contient le texte int gral du code des assurances une table

code des assurances 2018 collectif amazon sg books - Sep 15 2023

web hello select your address all

code des assurances des etats membres de la cima - Mar 29 2022

web une commission régionale de contrôle des assurances crca un secrétariat général il est annexé à ce traité un code des

assurances dit code cima ce code

code des assurances edition 2018 la bibliothèque juridique - Feb 08 2023

web code des assurances edition 2018 la bibliothèque juridique 9781984975065 books amazon ca

code des assurances définition de code des assurances dico - Feb 25 2022

web assurance vie le contrat d assurance vie est un contrat à capital variable ou à prime unique régi par le code des assurances et soumis au régime fiscal de l assurance vie

article 8 mentions du contrat d assurance code cima 2019 - Dec 26 2021

web article 8 mentions du contrat d assurance modifié par décision du conseil des ministres du 11 avril 2011 le moment à partir duquel le risque est garanti et la durée de cette

code cima cima - May 31 2022

web code des assurances des États membres de la cima code des assurances des États membres de la cima livre i le contrat livre ii les assurances obligatoires livre iii les

code des assurances edition 2018 paperback 1 february 2018 - Mar 09 2023

web buy code des assurances edition 2018 by la bibliotheque juridique online on amazon ae at best prices fast and free shipping free returns cash on delivery available

code des assurances edition 2018 amazon com au - Jul 13 2023

web code des assurances edition 2018 la bibliotheque juridique amazon com au books

code des assurances edition 2018 copy dna viz tpq - Oct 04 2022

web oct 29 2023 l assurance jouant un rôle économique et social fondamental dans la société française le contrat d assurance est devenu omniprésent tant dans la vie privée que

code des assurances edition 2018 amazon fr - Aug 14 2023

web noté 5 retrouvez code des assurances edition 2018 et des millions de livres en stock sur amazon fr achetez neuf ou d occasion

code des assurances edition 2018 bookshop - Dec 06 2022

web code des assurances edition 2018 la biblioth que juridique pr sente le texte officiel du code des assurances fran ais dans son int gralit ce livre contient le texte int gral du

code des assurances edition 2018 paperback barnes noble - Jan 07 2023

web feb 1 2018 code des assurances edition 2018 la bibliothèque juridique présente le texte officiel du code des assurances français dans

qu est ce que le code des assurances lesfurets - Jan 27 2022

web jul 30 2020 le code des assurances est un document qui régit le droit des assurances il contient un ensemble de lois et de règles qui doivent être appliquées par

take a girl like you nyrb classics paperback 28 april 2015 - Apr 11 2023

web apr 28 2015 buy take a girl like you nyrb classics reprint updated by amis kingsley lorentzen christian isbn 9781590177600 from amazon s book store everyday low prices and free delivery on eligible orders

buy take a girl like you nyrb classics book online at low - Mar 30 2022

web amazon in buy take a girl like you nyrb classics book online at best prices in india on amazon in read take a girl like you nyrb classics book reviews author details and more at amazon in free delivery on qualified orders

take a girl like you nyrb classics harvard book store - Feb 26 2022

web add a gift card to your order choose your denomination

amazon com customer reviews take a girl like you nyrb classics - Feb 09 2023

web find helpful customer reviews and review ratings for take a girl like you nyrb classics at amazon com read honest and unbiased product reviews from our users

take a girl like you nyrb classics softcover abebooks - Dec 07 2022

web take a girl like you may well be kingsley amis s most ambitious reckoning with the serious subject at the heart of his work the sheer squalor emotional material sexual you name it of modern life it also introduces one of the rare unqualified good guys in amis s rogue ridden world jenny bunn a girl from the english north country

take a girl like you nyrb classics by kingsley amis 2015 04 - Sep 04 2022

web take a girl like you nyrb classics by kingsley amis 2015 04 28 on amazon com free shipping on qualifying offers take a girl like you nyrb classics by kingsley amis 2015 04 28

take a girl like you nyrb classics welcome to heartleaf books - Aug 03 2022

web it also introduces one of the rare unqualified good guys in amis s rogue ridden world jenny bunn a girl from the english north country come south to teach school in a small smug town where she hopes to find love and fortune jenny is a beauty and men and women are crazy about her most of all handsome patrick standish who jenny also likes

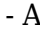
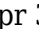
take a girl like you overdrive - Mar 10 2023

web apr 28 2015 take a girl like you may well be kingsley amis s most ambitious reckoning with the serious subject at the heart of his work the sheer squalor emotional material sexual you name it of modern life it also introduces one of the rare unqualified good guys in amis s rogue ridden world jenny bunn a girl from the english north country

take a girl like you nyrb classics amazon com - Jul 14 2023

web apr 28 2015 take a girl like you may well be kingsley amis s most ambitious reckoning with the serious subject at the

heart of his work the sheer squalor emotional material sexual you name it of modern life it also introduces one of the rare unqualified good guys in amis s rogue ridden world jenny bunn a girl from the english north country

[take a girl like you nyrb classics](#)   - Apr 30 2022

web apr 28 2015 take a girl like you may well be kingsley amis s most ambitious reckoning with the serious subject at the heart of his work the sheer squalor emotional material sexual you name it of modern life it also introduces one of the rare unqualified good guys in amis s rogue ridden world jenny bunn a girl from the english north country

take a girl like you nyrb classics by kingsley amis 2015 04 - Jul 02 2022

web take a girl like you nyrb classics by kingsley amis 2015 04 28 kingsley amis on amazon com au free shipping on eligible orders take a girl like you nyrb classics by kingsley amis 2015 04 28

take a girl like you rotten tomatoes - Dec 27 2021

web movie info a womanizer rupert graves in 1950s england determines to break down a virginal schoolteacher s walls of resistance genre romance comedy original language english director nick

take a girl like you nyrb classics abebooks - Nov 06 2022

web take a girl like you nyrb classics by amis kingsley at abebooks co uk isbn 10 1590177606 isbn 13 9781590177600 new york review of books 2015 softcover

9781590177600 take a girl like you nyrb classics by amis - Jan 08 2023

web take a girl like you nyrb classics soft cover amis kingsley published by nyrb classics 2015 isbn 10 1590177606 isbn 13 9781590177600

books similar to take a girl like you nyrb classics goodreads - Jun 01 2022

web find books like take a girl like you nyrb classics from the world s largest community of readers goodreads members who liked take a girl like you nyr

take a girl like you nyrb classics by kingsley amis 2015 04 - Oct 05 2022

web buy take a girl like you nyrb classics by kingsley amis 2015 04 28 by isbn from amazon s book store everyday low prices and free delivery on eligible orders

take a girl like you nyrb classics kindle edition - Jun 13 2023

web apr 28 2015 kindle 10 99 read with our free app hardcover 5 25 6 used from 5 25 1 new from 12 99 take a girl like you may well be kingsley amis s most ambitious reckoning with the serious subject at the heart of his work the sheer squalor emotional material sexual you name it of modern life

take a girl like you 1970 imdb - Jan 28 2022

web dec 31 1970 take a girl like you directed by jonathan miller with hayley mills oliver reed noel harrison john bird young

jenny bunn hayley mills heads to the south of england to start a new career as a school teacher even before she has had a chance to settle in she meets patrick standish oliver reed one of the local lads within a short

take a girl like you nyrb classics mitpressbookstore - May 12 2023

web apr 28 2015 it also introduces one of the rare unqualified good guys in amis s rogue ridden world jenny bunn a girl from the english north country come south to teach school in a small smug town where she hopes to find love and fortune jenny is a beauty and men and women are crazy about her most of all handsome patrick standish who jenny also

take a girl like you new york review books nyrb com - Aug 15 2023

web take a girl like you may well be kingsley amis s most ambitious reckoning with the serious subject at the heart of his work the sheer squalor emotional material sexual you name it of modern life it also introduces one of the rare unqualified good guys in amis s rogue ridden world jenny bunn a girl from the english north country

mercedes benz owners manual c63 487hp liululu net - Nov 15 2022

web may 13th 2018 mercedes benz owners manual c63 487hp mercedes benz owners manual amg c63 487hp sicamade read and download mercedes benz owners manual

c63 amg owners manual mercedes benz forum benzworld org - Apr 20 2023

web aug 14 2008 c63 amg owners manual 10216 views 0 replies 1 participant last post by kip1 aug 14 2008 jump to latest k device manuals download mercedes benz

mercedes benz owners manual c63 487hp - May 09 2022

web mercedes benz owners manual amg c63 487hp 1 5 downloaded from cardiovascularcenter uams edu on august 31 2022 by guest mercedes benz owners

owner s manuals mercedes benz usa - Jun 22 2023

web your mercedes benz owner s manual is your go to resource for operating your vehicle browse and download manuals based on your vehicle class and year

read free mercedes benz owners manual c63 487hp pdf free - Jun 10 2022

web aug 16 2023 read free mercedes benz owners manual c63 487hp pdf free copy owner s manuals mercedes benz usa mercedes owners mercedes benz usa

mercedes benz owners manual amg c63 487hp - Feb 06 2022

web 2020 mercedes benz amg g 63 owners manual carlotta wines mercedes benz owner s manuals for your smartphone and tablet with the mercedes benz guides app

mercedes benz owners manual c63 487hp affiliates mypthub - Aug 12 2022

web mercedes benz owners manual c63 487hp mercedes benz owners manual c63 487hp chipinde read and download

mercedes benz owners manual c63 487hp free ebooks in

mercedes benz owners manual amg c63 487hp - Jan 05 2022

web aug 8 2022 mercedes benz owners manual amg c63 487hp 2 21 downloaded from server12 commonplaces com on august 8 2022 by guest written for graduate students

mercedes benz owner s manuals - Aug 24 2023

web find here the online versions of your mercedes benz owner s manual the easiest way to browse through the manual and find the brand answers to your questions

mercedes benz mercedes amg c63s manuals manualslib - Oct 02 2021

web we have 1 mercedes benz mercedes amg c63s manual available for free pdf download owner s manual mercedes benz mercedes amg c63s owner s manual

mercedes benz owners manual amg c63 487hp pdf - Jan 17 2023

web dec 27 2022 mercedes benz owners manual amg c63 487hp link that we have the funds for here and check out the link you could buy guide mercedes benz owners

mercedes benz owners manual amg c63 487hp klpmaman com - Mar 07 2022

web oct 2 2022 you may not be perplexed to enjoy every book collections mercedes benz owners manual amg c63 487hp that we will totally offer it is not with reference to the

mercedes benz 2007 c 230 operator s manual pdf - Nov 03 2021

web page 1 sommer corporate media ag operator s manual c class sedan order no 6515 0183 13 part no 203 584 34 71 usa edition a 2007 page 2 c 230 c 230 sport c

mercedes benz owners manual c63 487hp pdf free - Feb 18 2023

web mercedes benz owners manual c63 487hp pdf free free book mercedes benz owners manual c63 487hp pdf books this is the book you are looking for from the

mercedes benz owners manual c63 487hp mintxx - Mar 19 2023

web no question easy to get as without difficulty as obtain manual mercedes benz owners manual c63 487hp mercedes benz owners manual c63 487hp is available in our

mercedes benz owners manual c63 487hp mintxx top - Dec 16 2022

web mercedes benz owners manual amg c63 487hp free ebooks mercedes benz owners manual c63 487hp pdf download owners manual a go to source for information on

download ebook mercedes benz owners manual c63 487hp pdf - Apr 08 2022

web sep 3 2023 download ebook mercedes benz owners manual c63 487hp pdf for free mercedes benz owner s manual 2023

mercedes benz c class owner manual

get free mercedes benz owners manual amg c63 487hp read - Dec 04 2021

web dec 27 2022 get free mercedes benz owners manual amg c63 487hp read pdf free mercedes amg wikipedia amg performance vehicles mercedes benz usa mercedes

mercedes benz owners manual c63 487hp 2023 - Oct 14 2022

web mercedes benz owners manual c63 487hp pdf pdf mercedes benz owners manual amg c63 487hp pdf download web mercedes benz owners manual amg c63 487hp pdf

read online mercedes benz owners manual amg c63 487hp - Jul 11 2022

web dec 6 2022 read online mercedes benz owners manual amg c63 487hp pdf for free 1 19 read online arccameras com on december 6 2022 pdf for free read online

mercedes benz mercedes amg c63 manuals manualslib - Jul 23 2023

web manuals and user guides for mercedes benz mercedes amg c63 we have 1mercedes benz mercedes amg c63 manual available for free pdf download owner s manual

pdf mercedes benz owners manual c63 487hp free ebook - Sep 13 2022

web pdf mercedes benz owners manual c63 487hp free ebook mercedes benz owner s manual 2023 mercedes benz c class owner manual compatible with oem owners

mercedes benz owners manual c63 487hp full pdf - May 21 2023

web mercedes benz recalls mercedes benz owners manual c63 487hp downloaded from poczta builduk org by guest jaxson grant mercedes benz owners manual c63