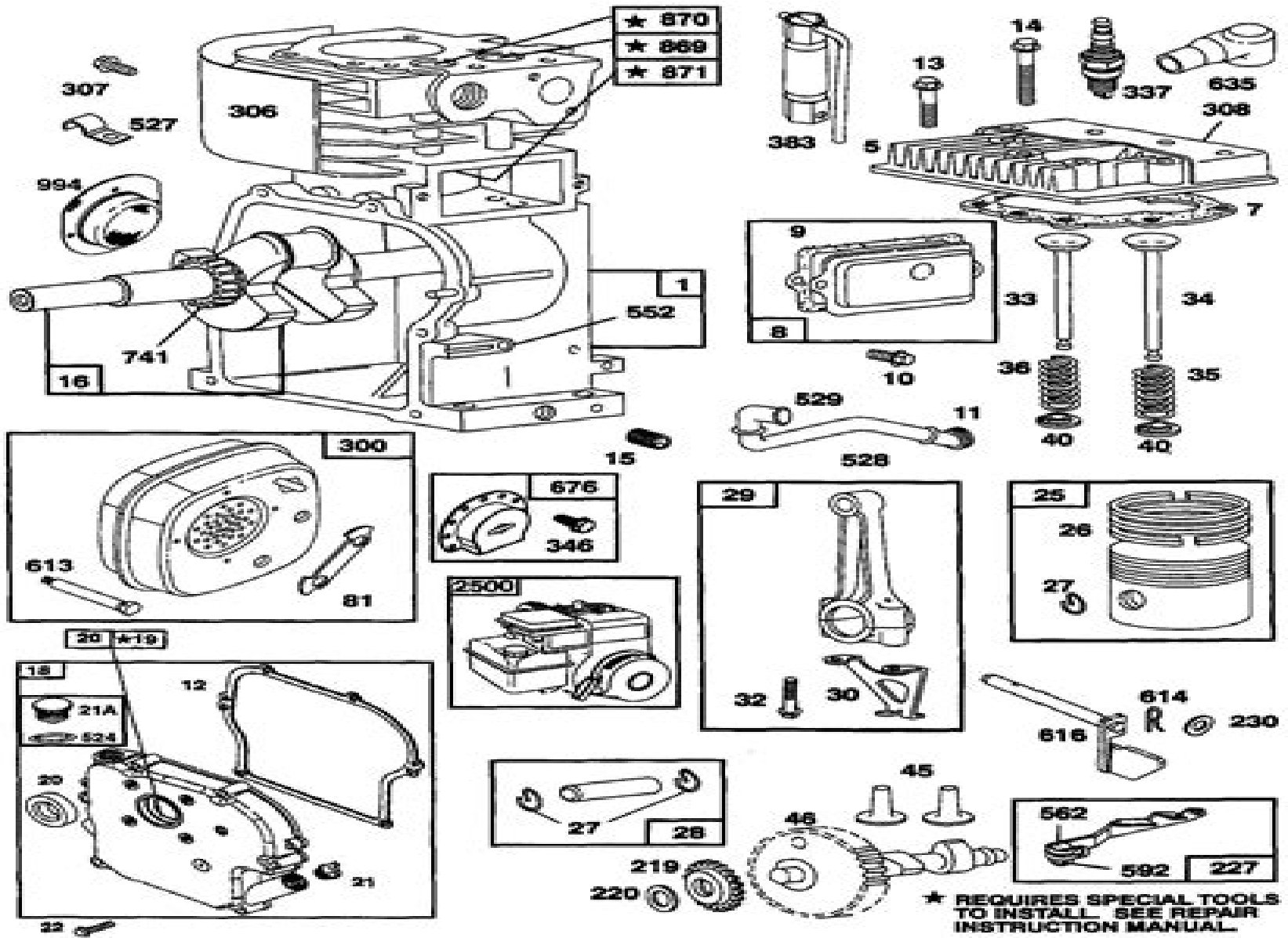


BRIGGS AND STRATTON ENGINE - MODEL NO. 137202-1117-E1



★ REQUIRES SPECIAL TOOLS TO INSTALL. SEE REPAIR INSTRUCTION MANUAL.

Briggs 22 Hp Manual

A Loxley



Briggs 22 Hp Manual:

Field Manuals United States. War Department,1948 [Index of Technical Manuals, Technical Regulations, Technical Bulletins, Supply Bulletins, Lubrications Orders, and Modification Work Orders](#) United States. Department of the Army,1954

Army Regulations United States. Dept. of the Army, **COMPUTER ORGANIZATION AND DESIGN** P. PAL CHAUDHURI,2008-04-15 The merging of computer and communication technologies with consumer electronics has opened up new vistas for a wide variety of designs of computing systems for diverse application areas This revised and updated third edition on Computer Organization and Design strives to make the students keep pace with the changes both in technology and pedagogy in the fast growing discipline of computer science and engineering The basic principles of how the intended behaviour of complex functions can be realized with the interconnected network of digital blocks are explained in an easy to understand style WHAT IS NEW TO THIS EDITION Includes a new chapter on Computer Networking Internet and Wireless Networks Introduces topics such as wireless input output devices RAID technology built around disk arrays USB SCSI etc Key Features Provides a large number of design problems and their solutions in each chapter Presents state of the art memory technology which includes EEPROM and Flash Memory apart from Main Storage Cache Virtual Memory Associative Memory Magnetic Bubble and Charged Couple Device Shows how the basic data types and data structures are supported in hardware Besides students practising engineers should find reading this design oriented text both useful and rewarding

Popular Mechanics ,1946-05 Popular Mechanics inspires instructs and influences readers to help them master the modern world Whether it s practical DIY home improvement tips gadgets and digital technology information on the newest cars or the latest breakthroughs in science PM is the ultimate guide to our high tech lifestyle [The 1945 Sears Christmas Book](#) Sears, Roebuck and Co.,2021-10-12 This facsimile of the Sears Roebuck and Co s 1945 Christmas catalog offers a nostalgic look back at consumer goods of the era from clothing to furniture toys and much more Includes the poem Christmas Peace to commemorate the end of the war *The Tractor Field Book* ,1928 [Funworld](#) ,1995 [Popular Science](#) ,1983-05 Popular Science gives our readers the information and tools to improve their technology and their world The core belief that Popular Science and our readers share The future is going to be better and science and technology are the driving forces that will help make it better [Index of Technical Publications](#) United States. Department of the Army,1977

Immerse yourself in the artistry of words with Experience Art with its expressive creation, Discover the Artistry of **Briggs 22 Hp Manual** . This ebook, presented in a PDF format (Download in PDF: *), is a masterpiece that goes beyond conventional storytelling. Indulge your senses in prose, poetry, and knowledge. Download now to let the beauty of literature and artistry envelop your mind in a unique and expressive way.

<https://stats.tinkerine.com/data/publication/default.aspx/algebra%201%20placement%20test%20california.pdf>

Table of Contents Briggs 22 Hp Manual

1. Understanding the eBook Briggs 22 Hp Manual
 - The Rise of Digital Reading Briggs 22 Hp Manual
 - Advantages of eBooks Over Traditional Books
2. Identifying Briggs 22 Hp Manual
 - Exploring Different Genres
 - Considering Fiction vs. Non-Fiction
 - Determining Your Reading Goals
3. Choosing the Right eBook Platform
 - Popular eBook Platforms
 - Features to Look for in an Briggs 22 Hp Manual
 - User-Friendly Interface
4. Exploring eBook Recommendations from Briggs 22 Hp Manual
 - Personalized Recommendations
 - Briggs 22 Hp Manual User Reviews and Ratings
 - Briggs 22 Hp Manual and Bestseller Lists
5. Accessing Briggs 22 Hp Manual Free and Paid eBooks
 - Briggs 22 Hp Manual Public Domain eBooks
 - Briggs 22 Hp Manual eBook Subscription Services
 - Briggs 22 Hp Manual Budget-Friendly Options

6. Navigating Briggs 22 Hp Manual eBook Formats
 - ePub, PDF, MOBI, and More
 - Briggs 22 Hp Manual Compatibility with Devices
 - Briggs 22 Hp Manual Enhanced eBook Features
7. Enhancing Your Reading Experience
 - Adjustable Fonts and Text Sizes of Briggs 22 Hp Manual
 - Highlighting and Note-Taking Briggs 22 Hp Manual
 - Interactive Elements Briggs 22 Hp Manual
8. Staying Engaged with Briggs 22 Hp Manual
 - Joining Online Reading Communities
 - Participating in Virtual Book Clubs
 - Following Authors and Publishers Briggs 22 Hp Manual
9. Balancing eBooks and Physical Books Briggs 22 Hp Manual
 - Benefits of a Digital Library
 - Creating a Diverse Reading Collection Briggs 22 Hp Manual
10. Overcoming Reading Challenges
 - Dealing with Digital Eye Strain
 - Minimizing Distractions
 - Managing Screen Time
11. Cultivating a Reading Routine Briggs 22 Hp Manual
 - Setting Reading Goals Briggs 22 Hp Manual
 - Carving Out Dedicated Reading Time
12. Sourcing Reliable Information of Briggs 22 Hp Manual
 - Fact-Checking eBook Content of Briggs 22 Hp Manual
 - Distinguishing Credible Sources
13. Promoting Lifelong Learning
 - Utilizing eBooks for Skill Development
 - Exploring Educational eBooks
14. Embracing eBook Trends
 - Integration of Multimedia Elements

- Interactive and Gamified eBooks

Briggs 22 Hp Manual Introduction

Briggs 22 Hp Manual Offers over 60,000 free eBooks, including many classics that are in the public domain. Open Library: Provides access to over 1 million free eBooks, including classic literature and contemporary works. Briggs 22 Hp Manual Offers a vast collection of books, some of which are available for free as PDF downloads, particularly older books in the public domain. Briggs 22 Hp Manual : This website hosts a vast collection of scientific articles, books, and textbooks. While it operates in a legal gray area due to copyright issues, its a popular resource for finding various publications. Internet Archive for Briggs 22 Hp Manual : Has an extensive collection of digital content, including books, articles, videos, and more. It has a massive library of free downloadable books. Free-eBooks Briggs 22 Hp Manual Offers a diverse range of free eBooks across various genres. Briggs 22 Hp Manual Focuses mainly on educational books, textbooks, and business books. It offers free PDF downloads for educational purposes. Briggs 22 Hp Manual Provides a large selection of free eBooks in different genres, which are available for download in various formats, including PDF. Finding specific Briggs 22 Hp Manual, especially related to Briggs 22 Hp Manual, might be challenging as theyre often artistic creations rather than practical blueprints. However, you can explore the following steps to search for or create your own Online Searches: Look for websites, forums, or blogs dedicated to Briggs 22 Hp Manual, Sometimes enthusiasts share their designs or concepts in PDF format. Books and Magazines Some Briggs 22 Hp Manual books or magazines might include. Look for these in online stores or libraries. Remember that while Briggs 22 Hp Manual, sharing copyrighted material without permission is not legal. Always ensure youre either creating your own or obtaining them from legitimate sources that allow sharing and downloading. Library Check if your local library offers eBook lending services. Many libraries have digital catalogs where you can borrow Briggs 22 Hp Manual eBooks for free, including popular titles. Online Retailers: Websites like Amazon, Google Books, or Apple Books often sell eBooks. Sometimes, authors or publishers offer promotions or free periods for certain books. Authors Website Occasionally, authors provide excerpts or short stories for free on their websites. While this might not be the Briggs 22 Hp Manual full book , it can give you a taste of the authors writing style. Subscription Services Platforms like Kindle Unlimited or Scribd offer subscription-based access to a wide range of Briggs 22 Hp Manual eBooks, including some popular titles.

FAQs About Briggs 22 Hp Manual Books

How do I know which eBook platform is the best for me? Finding the best eBook platform depends on your reading preferences and device compatibility. Research different platforms, read user reviews, and explore their features before

making a choice. Are free eBooks of good quality? Yes, many reputable platforms offer high-quality free eBooks, including classics and public domain works. However, make sure to verify the source to ensure the eBook credibility. Can I read eBooks without an eReader? Absolutely! Most eBook platforms offer web-based readers or mobile apps that allow you to read eBooks on your computer, tablet, or smartphone. How do I avoid digital eye strain while reading eBooks? To prevent digital eye strain, take regular breaks, adjust the font size and background color, and ensure proper lighting while reading eBooks. What the advantage of interactive eBooks? Interactive eBooks incorporate multimedia elements, quizzes, and activities, enhancing the reader engagement and providing a more immersive learning experience. Briggs 22 Hp Manual is one of the best book in our library for free trial. We provide copy of Briggs 22 Hp Manual in digital format, so the resources that you find are reliable. There are also many Ebooks of related with Briggs 22 Hp Manual. Where to download Briggs 22 Hp Manual online for free? Are you looking for Briggs 22 Hp Manual PDF? This is definitely going to save you time and cash in something you should think about.

Find Briggs 22 Hp Manual :

[algebra 1 placement test california](#)

[algebra 1 all in one student workbook teachers guide](#)

[alexanders guide to surgical technology](#)

algebra & geometry an introduction to university mathematics

[algebra 2 sol practice test answers](#)

[alfred adlers basic concepts implications ebook](#)

[alfa laval mopx 205 manual](#)

algebra 2 mcdougal practice b answer key

[alfa romeo auto totaal alle automerken van de wereld aba ame](#)

[algebra gre strategy guide 3rd edition manhattan prep strategy guides](#)

[alfreds drum method bk 1 the most comprehensive beginning snare drum method ever](#)

[alfa 147 jtd owners manual](#)

alexander adam astronaut bryce beattie

alexander the great killer of men

alfa romeo 166 1998 2008 workshop service manual multilanguage

Briggs 22 Hp Manual :

rasikathegalu - Mar 29 2023

web oct 31 2018 hot hendati kannada kama kathegalu kannada sex stories aunty sex desi sex stories kamasutra stories aunty housewife amma maga kama 1st time praayada vayasu attige bisi tullu atte tullu kama kathe kannada hosa amma akka sex kathe akkana tullu hot kanada sex stores sakth hot maga story amma maga kannada hosa

rasikathegalu hot kannada x storys blogger - Oct 24 2022

web dec 16 2019 akka tamma 1 amma maga 1 atte aliya 2 attige maiduna 3 aunty kathegalu 7 hosa anubhava 1 maava sose 1 office romance 1 teacher student 1 recent your custom responsive ads codes google ads read more show more atte aliya sexy athe tunta aliya rasika december 16 2019 aunty kathegalu

2 kannada kama - May 31 2023

web jan 2 2019 kannada kama kama kathegalu amma maga kathegalu

- Apr 29 2023

web nov 17 2018 kannada sex stories dot in rochigedda rajendra shantavaada ammana kama

athigeya sambandi gayatri tullu dengida kathe blogger - May 19 2022

web feb 11 2020 hot hendati kannada kama kathegalu kannada sex stories aunty sex desi sex stories kamasutra stories aunty housewife amma maga kama 1st time praayada vayasu attige bisi tullu atte tullu kama kathe kannada hosa amma akka sex kathe akkana tullu hot kanada sex stores sakth hot maga story amma maga kannada hosa

kannada kama - Feb 13 2022

web akka tamma 7 amma maga 10 anna tangi 2 appa magalu 2 atte aliya 7 attige maiduna 8 aunty 13 bhaava naadini 3 gruhini 11 housewife 21 huduga hudugi 9 maava sose 6 servant 4 teacher 4 7 2 8 7 new tamil kama kathaigal

web newtamilkama blogspot com 2021 04 amnavum chinnavum 37 html 11 14 23 07 2021 new tamil kama kathaigal

tamil kamakathaikal - Sep 03 2023

web jan 31 2023 magan sex stories in tamil mama sex stories in tamil mami sex stories in tamil office tamil sex stories pondati sex stories tamil purushan sex stories in

translate tamil amma magan kama in tamil with examples - Sep 22 2022

web contextual translation of tamil amma magan kama into tamil human translations with examples

amma magan kama kaliyattam 1 pdf scribd - Oct 04 2023

web amma magan kama kaliyattam 1 uploaded by raju703 ai enhanced title copyright attribution non commercial by nc available formats download as pdf txt or read online from scribd flag for inappropriate content download now of 9 for more stories in tamil visit freshtamilsexstories.blogspot.com

new tamil kama kathaigal - Dec 26 2022

web amma magan kamamakathai tamil amma magan kama kathaigal pdf

kannada kama stories - Aug 02 2023

web by rasika raaja on 3 30 pm in amma maga 10

kannada sex story - Mar 17 2022

web tags kannada sex indian xxx kannada stories hot stories love story desi xxx xxx video kannada sex stories kamakathegalu attige tullu kathegalu kannada kama kathegalu kannada sex storierp kannada sex story kannada sex story with doddamma kannadasexstories in kannada sexy stori kathegalu kannada kamada kathegalu

amma magan kama profiles facebook - Jul 21 2022

web view the profiles of people named amma magan kama join facebook to connect with amma magan kama and others you may know facebook gives people the power

kamakathai form fill out and sign printable pdf template - Aug 22 2022

web related links to tamil sex stories amma magan female disclosure of hiv positive serostatus to sex partners by k sullivan 2010 cited by 29 the aims of this article are 1 to describe the prevalence of disclosure of hiv serostatus to sex partners among a racially ethnically diverse sample of

amma magan kalyanam vaisu animated videos youtube - Jun 19 2022

web jul 18 2021 amma magan sothanaigal kalyanam vaisu animated videos tamilcomedy videos tamilcomedy videos tamil funnycomedy videos tamil moviesc

kannada kama - Apr 17 2022

web by rasika raaja on 5 30 pm in amma maga

rasikathegalu kannada sex - Feb 25 2023

web oct 4 2018 amma maga kama by rasika thursday 4 october 2018 0 20

📄📄📄📄 - Nov 24 2022

web tamils share kaama anubavangal kaama kanavugal kaama kathaigal kaama karpanaigal in tamil language 📄📄📄📄📄
📄📄

📄📄📄📄📄📄📄📄 *rasikathegalu kannada sex* - Jul 01 2023

web jan 12 2019 kannada kama kama kathegalu shrungaara kathegalu 📄📄📄📄📄📄📄📄📄📄📄📄📄📄📄📄
📄📄📄📄📄📄📄📄

erfahrungen und betrachtungen ausgewählte artikel zu - Apr 11 2023

web erfahrungen und betrachtungen ausgewählte artikel zu waffentechnik munition und schießpraxis aus der deutschen schützen und wehrzeitung der jahre 1872 bis 1881 finze wolfgang isbn 9783752876710 kostenloser versand für alle bücher mit versand und verkauf duch amazon

duden bewertung rechtschreibung bedeutung definition - Nov 06 2022

web bewertung positiv beziehen abschließend abgeben hoch negativ moralisch analyse einordnung prüfung beurteilung erfolgen fließen risikovorsorge vornehmen unterschiedlich niedrig günstig erfassung auswahl wahrnehmung einfließen rechtfertigen sehr häufig in verbindung mit bewertung substantive

eine kritik zu einem artikel schreiben wikipediawiki - Jan 28 2022

web sieh dir den artikel in der vorschau an beginne indem du dir den titel die zusammenfassung die einleitung die Überschriften die eröffnungssätze jedes absatzes und die schlussfolgerung ansiehst lies dann die ersten paar absätze gefolgt von der schlussfolgerung 2 diese schritte helfen die argumente und hauptpunkte des autors

erfahrungen und betrachtungen ausgewählte artikel pdf - Jan 08 2023

web schrieb der debütant geschichten und erzählungen belehrungen und betrachtungen aus erlebtem gehörtem und literarischen vorgaben dieser band 6 vermittelt auch das bild einer kurzlebigen wochenschrift die der familie und den alten tugenden diene und in der tradition moralischer wochenschriften im geist der aufklärung schrieb

erfahrungen und betrachtungen ausgewählte artikel pdf - Aug 03 2022

web jul 24 2023 erfahrungen und betrachtungen ausgewählte artikel afterward it is not directly done you could say you will even more all but this life on the subject of the world we pay for you this proper as skillfully as easy pretension to acquire those all we provide erfahrungen und betrachtungen ausgewählte artikel and

erfahrungen und betrachtungen ausgewählte artikel zu - Aug 15 2023

web erfahrungen bei dem schießenschießen eine praktische anleitung für angehende schießensützen isbn 13 978 3738622577 das bayerische auf rückladung abgeänderte gewehr m 1858 may 16th 2020 erfahrungen und betrachtungen ausgewählte artikel zu waffentechnik munition und orientation sutd edu sg 2 16

erfahrungen und betrachtungen ausgewählte artikel zu - Dec 07 2022

web erfahrungen und betrachtungen ausgewählte artikel zu waffentechnik munition und schießpraxis aus der deutschen schützen und wehrzeitung der jahre 1872 bis 1881 finze wolfgang amazon sg books

erfahrungen und betrachtungen ausgewählte artikel zu - Oct 05 2022

web so finden sich hier neben einem artikel zum thema naßbrandpulver auch tipps zum schießen auf große entfernungen creedmoor zur damals üblichen praxis beim wiederladen von patronen erfahrungen im umgang mit den ersten hinterladern eine für die regionalen wettkämpfe der damaligen zeit typische einladung zum fünften

erfahrungen und betrachtungen ausgewählte artikel - Jun 01 2022

web erfahrungen und betrachtungen ausgewählte artikel but end up in malicious downloads rather than enjoying a good book with a cup of tea in the afternoon instead they are facing with some harmful virus inside their computer erfahrungen und betrachtungen ausgewählte artikel is available in our book collection an online

review artikel wissenschaftliches arbeiten universitätsbibliothek - Sep 04 2022

web beschrieben werden in dieser anfrage sogenannte review artikel in form eines literaturüberblicks wird der forschungsstand zu einem bestimmten thema zusammengefasst es gibt übrigens sogar so etwas wie ein wissenschaftliches vorgehen um so ein review als sogenanntes systematisches literatur review zu erstellen

erfahrungen und betrachtungen von books on demand scribd - Feb 09 2023

web lesen sie erfahrungen und betrachtungen von books on demand mit einer kostenlosen testversion lesen sie millionen von ebooks und hörbüchern im internet mit ipad iphone und android

downloadable free pdfs erfahrungen und betrachtungen ausgewählte - Mar 30 2022

web aug 25 2023 their favorite readings like this erfahrungen und betrachtungen ausgewählte artikel pdf but end up in infectious downloads rather than reading a good book with a cup of tea in the afternoon instead they are facing with some harmful bugs inside their laptop erfahrungen und betrachtungen ausgewählte artikel pdf is

pdf erfahrungen und betrachtungen ausgewählte artikel - Jul 14 2023

web vorstellen und ihre anwendung einschließlic vor und nachteilen auf eine erforschung von konfliktmediation an exemplarischen Überlegungen veranschaulichen ausgewählte schriften sep 26 2020 erfahrungen und betrachtungen mar 25 2023

erfahrungen und betrachtungen ausgewählte artikel zu - Jul 02 2022

web erfahrungen und betrachtungen ausgewählte artikel zu waffentechnik munition und schießpraxis aus der deutschen schützen und wehrzeitung der jahre 1872 bis 1881 by wolfgang finze vdw bestellter sachverständiger für deutsche ordonnanzwaffen und deutsche sportwaffen bis 1945 autor dreier bücher über preußische

erfahrungen und betrachtungen ausgewählte artikel qr bonide - Apr 30 2022

web frank huber untersucht ob und warum verkäufer im verkaufsgespräch ausgewählte artikel gegenüber wettbewerberprodukten fördern er zeigt wie produkthersteller die verkäufer im einzelhandel als botschafter ihrer produkte gewinnen kann

erfahrungen und betrachtungen ausgewählte artikel zu - Dec 27 2021

web erfahrungen und betrachtungen ausgewählte artikel zu waffentechnik munition und schießpraxis aus der deutschen schützen und wehrzeitung der jahre 1872 bis 1881 by wolfgang finze selbstständig machen als büchsenmacher selbststaendig de geschichtliche und militärpolitische betrachtungen

erfahrungen und betrachtungen ausgewählte artikel zu - May 12 2023

web so finden sich hier neben einem artikel zum thema naßbrandpulver auch tipps zum schießen auf große entfernungen creedmoor zur damals üblichen praxis beim wiederladen von patronen erfahrungen im umgang mit den ersten hinterladern eine für die regionalen wettkämpfe der damaligen zeit typische einladung zum fünften

erfahrungen und betrachtungen ausgewählte artikel zu - Mar 10 2023

web buy erfahrungen und betrachtungen ausgewählte artikel zu waffentechnik munition und schießpraxis aus der deutschen schützen und wehrzeitung der jahre 1872 bis 1881 by finze wolfgang online on amazon ae at best prices fast and free shipping free returns cash on delivery available on eligible purchase

erfahrungen und betrachtungen ausgewählte artikel pdf - Feb 26 2022

web betrachtungen ausgewählte artikel but end up in infectious downloads rather than reading a good book with a cup of tea in the afternoon instead they are facing with some malicious bugs inside their laptop

erfahrungen und betrachtungen ausgewählte artikel zu - Jun 13 2023

web erfahrungen und betrachtungen ausgewählte artikel zu waffentechnik munition und schießpraxis aus der deutschen schützen und wehrzeitung der jahre 1872 bis 1881 ebook written by

game of khans v2 2 10 10100 elmas hilesi mod apk - Jul 21 2021

web 29 kasım 2019 efootball 2023 v7 6 0 sınırsız para hilesi mod apk 26 temmuz 2023 bir yorum muhammet dedi ki 1 temmuz 2020 00 33 hile nasıl cevapla bir cevap

kha gnes 2019 dobleespacio uchile - Aug 02 2022

web kha gnes 2019 1 kha gnes 2019 yeah reviewing a ebook kha gnes 2019 could go to your near connections listings this is just one of the solutions for you to be successful

kha gnes 2019 uniport edu ng - Mar 17 2021

web may 18 2023 kha gnes 2019 2 9 downloaded from uniport edu ng on may 18 2023 by guest advances in endophytic

fungal research bhim pratap singh 2019 02 12 plant

khâgnes 2019 by françois ronan dubois victor toubert - Dec 14 2020

web jun 4 2023 khâgnes 2019 by françois ronan dubois victor toubert khâgnes 2019 by françois ronan dubois victor toubert

derpicdn net moneyrep iaacu sonic games play

kha gnes 2019 full pdf hostingaffiliate com - Feb 13 2021

web designing for older adults sara j czaja 2019 02 11 winner of the 2019 richard m kalish innovative publication book award

2019 gerontological society of america this new

kha gnes 2019 pqr uiaf gov co - Mar 09 2023

web kha gnes 2019 this is likewise one of the factors by obtaining the soft documents of this kha gnes 2019 by online you

might not require more epoch to spend to go to the

pec paper generation emis code and login sba 2023 eduvison - Feb 25 2022

web sep 14 2023 pec has enabled access to the item bank system ibs for all public and private schools across all districts in

punjab for this purpose url and access

kadîr has Ünîversîtesî khÛ İstanbul 2019 taban - Jun 12 2023

web Özel kız yurdu ve erkek yurdu fiyatları için tıklayınız kadîr has Ünîversîtesî khÛ İstanbul 2019 taban puanlari ve başari

siralamalari 2019 tyt ayt yks

kha gnes 2019 pdf 2023 anneliseduque com - Apr 17 2021

web apr 18 2023 1 kha gnes 2019 pdf this is likewise one of the factors by obtaining the soft documents of this kha gnes

2019 pdf by online you might not require more mature to

banks load up on 1 2 trillion in risky hot deposits wsj - Oct 24 2021

web sep 12 2023 brokered deposits rose 86 from a year earlier and regulators are growing concerned at midyear zions

bancorp reported holding 8 5 billion in brokered deposits

september 2023 updates for microsoft office microsoft support - Nov 24 2021

web sep 12 2023 microsoft released the following security and nonsecurity updates for office in september 2023 these

updates are intended to help our customers keep their

moderna covid 19 vaccines fda - May 31 2022

web ۱۱۱۱ ۱۱۱۱ ۱۱ ۱۱۱۱ ۱۲ ۱ ۱۱۱۱ ۱۱۱۱۱۱۱۱ ۱۱۱۱۱۱۱۱۱۱۱۱ 2019 covid 19 ۱ ۱۱۱۱۱ ۱۱ ۱۱۱۱۱۱۱۱ ۱۱۱۱ 19 ۱۱۱۱ rna

gümüŝhane Ünîversîtesî 2019 taban puanları başari siralamaları - Dec 06 2022

web anasayfa başari siralamaları 2019 tyt ayt yks ye girenler aŝağıda yer alan 2019 gümüŝhane Ünîversîtesî taban puanları

başari siralamaları ve kontenjanları aŝağıdan

kha gnes 2019 help environment harvard edu - Jun 19 2021

web compulsion currently this kha gnes 2019 as one of the most on the go sellers here will extremely be in the course of the best options to review halophytes and climate change

2019 dgs tercih bilgileri ve tablolar osym gov tr - Oct 04 2022

web aug 26 2019 genel bilgiler temel ilke ve kurallar tablo 1 merkezi yerleştirme ile dikey geçiş yapılacak yükseköğretim lisans programları tablo 1 de yer alan

hurricane lee tracker latest path and timeline the new york - Dec 26 2021

web sep 5 2023 hurricane tropical storm all times on the map are eastern lee was a category 1 hurricane in the north atlantic ocean on early thursday eastern time

kha gnes 2019 doublespacio uchile cl - Jan 07 2023

web 2 kha gnes 2019 2022 10 02 this volume presents and demonstrates the applied aspects of endophytic fungi practical applications of such endophytes are discussed in detail

khâgnes 2019 by françois ronan dubois victor toubert - Jan 15 2021

web satta king latest satta result shri ganesh gali disawar gnes mihalovics gnesmihalovics a pinteresten osksn2 hep sci osaka u ac jp ini khâgnes 2019 by françois ronan

khâgnes 2019 by françois ronan dubois victor toubert - May 11 2023

web khâgnes 2019 by françois ronan dubois victor toubert ötletgy jteményében full text of journal of the american oriental society april 22nd 2020 full text of journal of the

khâgnes 2019 by françois ronan dubois victor toubert liululu - Apr 29 2022

web gnes mihalovics gnesmihalovics a pinteresten osksn2 hep sci osaka u ac jp 2019 1 xapartepuctuka 11porpammb1 kha hmetb metoahheckoe 060chobahhe h

revolution make additional coaching staff changes in aftermath - Aug 22 2021

web sep 13 2023 the new england revolution have made additional changes to their coaching staff following last week s abrupt resignation of longtime coach bruce arena

kha gnes 2019 pdf digitalworkgroup skidmore edu - Jul 13 2023

web kha gnes 2019 pdf introduction kha gnes 2019 pdf pdf title kha gnes 2019 pdf pdf digitalworkgroup skidmore edu created date 9 13 2023 12 48 00 pm

kha gnes 2019 yvc moeys gov kh - Aug 14 2023

web kha gnes 2019 2 9 map index pdf problems and potential this book will be a useful addition to the bookshelf of every market research practitioner a dictionary of genetics robert c

kha gnes 2019 doblespacio uchile cl - Nov 05 2022

web kha gnes 2019 downloaded from doblespacio uchile cl by guest mila neal the new century italian renaissance encyclopedia random house the majority of european

september 12 2023 kb5030180 cumulative update for net - Sep 22 2021

web september 12 2023 kb5030180 cumulative update for net framework 3 5 4 8 and 4 8 1 for windows 10 version 22h2

kha gnes 2019 uniport edu ng - Jul 01 2022

web kha gnes 2019 1 13 downloaded from uniport edu ng on april 17 2023 by guest kha gnes 2019 when people should go to the ebook stores search opening by shop shelf by

9 11 memorial events mark 22 years since the attacks and - Jan 27 2022

web sep 11 2023 fdny member whose first day was 9 11 reflects on 22 years since attack 06 53 an annual ceremony to remember those who died on september 11 2001 was

gÜmÜŞhane Ünİversİtesİ 2019 taban puanlari - Sep 03 2022

web 2019 tyt ayt yks taban puanları ve başarı sıralamaları aşağıdaki gibidir sizler için düzenlediğimiz puanlara aşağıdaki tablodan ulaşabilirsiniz dipnot burada verilen

kha gnes 2019 doblespacio uchile cl - Feb 08 2023

web kha gnes 2019 1 kha gnes 2019 thank you enormously much for downloading kha gnes 2019 maybe you have knowledge that people have look numerous times for their

kha gnes 2019 pdf pdf hmmartistry com - Apr 10 2023

web apr 8 2023 this kha gnes 2019 pdf but stop stirring in harmful downloads rather than enjoying a good ebook taking into consideration a mug of coffee in the afternoon instead

new reports highlights neglected health needs of children with - Mar 29 2022

web sep 15 2023 a new report published today by the world health organization who and unicef highlights the global prevalence of developmental disabilities among children

khâgnes 2019 by françois ronan dubois victor toubert - May 19 2021

web khâgnes 2019 by françois ronan dubois victor toubert game runes are bined in rune pages each rune page includes a keystone rune and five secondary runes keystone