

Owner's Manual

Care and Operation

INSTALLER: Leave this manual with party responsible for use and operation.

OWNER: Retain this manual for future reference.

Contact your dealer with questions regarding installation, operation or service.

NOTICE: DO NOT discard this manual!

heatilator
The first name in fireplace

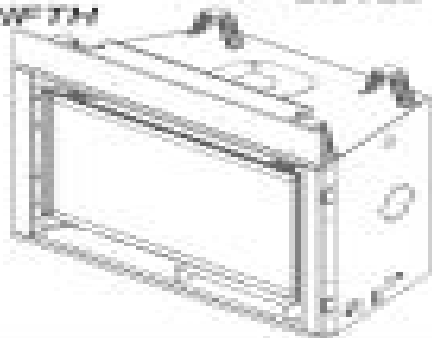
Models:

CNXT4236FTT

CNXT4236FTH

CNXT4842FTT

CNXT4842FTH



This appliance may be installed as an OEM installation in manufactured home (USA only) or mobile home and must be installed in accordance with the manufacturer's instructions and the Manufactured Home Construction and Safety Standard, Title 24 CFR, Part 3280 in the United States, or the Standard for Installation in Mobile Homes, CAN/CSA Z240 MH Series, in Canada.

This appliance is only for use with the type(s) of gas indicated on the rating plate. This appliance is not convertible for use with other gases, unless a certified kit is used.

In the Commonwealth of Massachusetts installation must be performed by a licensed plumber or gas fitter.
See appliance installation manual for additional Commonwealth of Massachusetts requirements.

WARNING:
FIRE OR EXPLOSION HAZARD
Failure to follow safety warnings exactly could result in serious injury, death, or property damage.

- **DO NOT** store or use gasoline or other flammable vapors and liquids in the vicinity of this or any other appliance.
- **What to do if you smell gas**
 - **DO NOT** try to light any appliances.
 - **DO NOT** touch any electrical switch. **DO NOT** use any phone in your building.
 - Leave the building immediately.
 - Immediately call your gas supplier from a neighbor's phone. Follow the gas supplier's instructions.
 - If you cannot reach your gas supplier, call the fire department.
- Installation and service must be performed by a qualified installer, service agency, or the gas supplier.

DANGER



HOT GLASS WILL CAUSE BURNS.

DO NOT TOUCH GLASS UNTIL COOLED.

NEVER ALLOW CHILDREN TO TOUCH GLASS.

A barrier designed to reduce the risk of burns from the hot viewing glass is provided with this appliance and shall be installed for the protection of children and other at-risk individuals.

Appliance Service Manuals

SA Adler



Appliance Service Manuals:

Gas Appliance Service Manual Joint A.G.A.-GAMA Committee on Gas Appliance Service Manuals,1960 **Gas Appliance Merchandising** ,1943 **Gas Appliance Service Manual** American Gas Association. Committee on Gas Appliance Installation and Service Manuals,1949 **Popular Mechanics Home Appliance Repair Manual** Allen D. Bragdon,1981 **Gas Appliance Service Manuals** ,1998 *Popular Mechanics* ,1985-10 Popular Mechanics inspires instructs and influences readers to help them master the modern world Whether it s practical DIY home improvement tips gadgets and digital technology information on the newest cars or the latest breakthroughs in science PM is the ultimate guide to our high tech lifestyle Popular Mechanics ,1973-03 Popular Mechanics inspires instructs and influences readers to help them master the modern world Whether it s practical DIY home improvement tips gadgets and digital technology information on the newest cars or the latest breakthroughs in science PM is the ultimate guide to our high tech lifestyle

Popular Science ,1959-01 Popular Science gives our readers the information and tools to improve their technology and their world The core belief that Popular Science and our readers share The future is going to be better and science and technology are the driving forces that will help make it better Wartime Dealer-aid Programs Charles Henry Sevin,Walter Frederick Crowder,1944 Occupational Outlook Handbook ,1978

Getting the books **Appliance Service Manuals** now is not type of inspiring means. You could not only going with book deposit or library or borrowing from your friends to edit them. This is an certainly simple means to specifically acquire lead by on-line. This online declaration Appliance Service Manuals can be one of the options to accompany you past having extra time.

It will not waste your time. resign yourself to me, the e-book will enormously manner you further business to read. Just invest little mature to log on this on-line broadcast **Appliance Service Manuals** as skillfully as review them wherever you are now.

<https://stats.tinkerine.com/book/scholarship/HomePages/Ableton%20Manual%209.pdf>

Table of Contents Appliance Service Manuals

1. Understanding the eBook Appliance Service Manuals
 - The Rise of Digital Reading Appliance Service Manuals
 - Advantages of eBooks Over Traditional Books
2. Identifying Appliance Service Manuals
 - Exploring Different Genres
 - Considering Fiction vs. Non-Fiction
 - Determining Your Reading Goals
3. Choosing the Right eBook Platform
 - Popular eBook Platforms
 - Features to Look for in an Appliance Service Manuals
 - User-Friendly Interface
4. Exploring eBook Recommendations from Appliance Service Manuals
 - Personalized Recommendations
 - Appliance Service Manuals User Reviews and Ratings
 - Appliance Service Manuals and Bestseller Lists
5. Accessing Appliance Service Manuals Free and Paid eBooks

- Appliance Service Manuals Public Domain eBooks
 - Appliance Service Manuals eBook Subscription Services
 - Appliance Service Manuals Budget-Friendly Options
6. Navigating Appliance Service Manuals eBook Formats
 - ePub, PDF, MOBI, and More
 - Appliance Service Manuals Compatibility with Devices
 - Appliance Service Manuals Enhanced eBook Features
 7. Enhancing Your Reading Experience
 - Adjustable Fonts and Text Sizes of Appliance Service Manuals
 - Highlighting and Note-Taking Appliance Service Manuals
 - Interactive Elements Appliance Service Manuals
 8. Staying Engaged with Appliance Service Manuals
 - Joining Online Reading Communities
 - Participating in Virtual Book Clubs
 - Following Authors and Publishers Appliance Service Manuals
 9. Balancing eBooks and Physical Books Appliance Service Manuals
 - Benefits of a Digital Library
 - Creating a Diverse Reading Collection Appliance Service Manuals
 10. Overcoming Reading Challenges
 - Dealing with Digital Eye Strain
 - Minimizing Distractions
 - Managing Screen Time
 11. Cultivating a Reading Routine Appliance Service Manuals
 - Setting Reading Goals Appliance Service Manuals
 - Carving Out Dedicated Reading Time
 12. Sourcing Reliable Information of Appliance Service Manuals
 - Fact-Checking eBook Content of Appliance Service Manuals
 - Distinguishing Credible Sources
 13. Promoting Lifelong Learning
 - Utilizing eBooks for Skill Development

- Exploring Educational eBooks
- 14. Embracing eBook Trends
 - Integration of Multimedia Elements
 - Interactive and Gamified eBooks

Appliance Service Manuals Introduction

Free PDF Books and Manuals for Download: Unlocking Knowledge at Your Fingertips In today's fast-paced digital age, obtaining valuable knowledge has become easier than ever. Thanks to the internet, a vast array of books and manuals are now available for free download in PDF format. Whether you are a student, professional, or simply an avid reader, this treasure trove of downloadable resources offers a wealth of information, conveniently accessible anytime, anywhere. The advent of online libraries and platforms dedicated to sharing knowledge has revolutionized the way we consume information. No longer confined to physical libraries or bookstores, readers can now access an extensive collection of digital books and manuals with just a few clicks. These resources, available in PDF, Microsoft Word, and PowerPoint formats, cater to a wide range of interests, including literature, technology, science, history, and much more. One notable platform where you can explore and download free Appliance Service Manuals PDF books and manuals is the internet's largest free library. Hosted online, this catalog compiles a vast assortment of documents, making it a veritable goldmine of knowledge. With its easy-to-use website interface and customizable PDF generator, this platform offers a user-friendly experience, allowing individuals to effortlessly navigate and access the information they seek. The availability of free PDF books and manuals on this platform demonstrates its commitment to democratizing education and empowering individuals with the tools needed to succeed in their chosen fields. It allows anyone, regardless of their background or financial limitations, to expand their horizons and gain insights from experts in various disciplines. One of the most significant advantages of downloading PDF books and manuals lies in their portability. Unlike physical copies, digital books can be stored and carried on a single device, such as a tablet or smartphone, saving valuable space and weight. This convenience makes it possible for readers to have their entire library at their fingertips, whether they are commuting, traveling, or simply enjoying a lazy afternoon at home. Additionally, digital files are easily searchable, enabling readers to locate specific information within seconds. With a few keystrokes, users can search for keywords, topics, or phrases, making research and finding relevant information a breeze. This efficiency saves time and effort, streamlining the learning process and allowing individuals to focus on extracting the information they need. Furthermore, the availability of free PDF books and manuals fosters a culture of continuous learning. By removing financial barriers, more people can access educational resources and pursue lifelong learning, contributing to personal growth and professional development. This democratization of knowledge promotes intellectual curiosity and empowers

individuals to become lifelong learners, promoting progress and innovation in various fields. It is worth noting that while accessing free Appliance Service Manuals PDF books and manuals is convenient and cost-effective, it is vital to respect copyright laws and intellectual property rights. Platforms offering free downloads often operate within legal boundaries, ensuring that the materials they provide are either in the public domain or authorized for distribution. By adhering to copyright laws, users can enjoy the benefits of free access to knowledge while supporting the authors and publishers who make these resources available. In conclusion, the availability of Appliance Service Manuals free PDF books and manuals for download has revolutionized the way we access and consume knowledge. With just a few clicks, individuals can explore a vast collection of resources across different disciplines, all free of charge. This accessibility empowers individuals to become lifelong learners, contributing to personal growth, professional development, and the advancement of society as a whole. So why not unlock a world of knowledge today? Start exploring the vast sea of free PDF books and manuals waiting to be discovered right at your fingertips.

FAQs About Appliance Service Manuals Books

How do I know which eBook platform is the best for me? Finding the best eBook platform depends on your reading preferences and device compatibility. Research different platforms, read user reviews, and explore their features before making a choice. Are free eBooks of good quality? Yes, many reputable platforms offer high-quality free eBooks, including classics and public domain works. However, make sure to verify the source to ensure the eBook credibility. Can I read eBooks without an eReader? Absolutely! Most eBook platforms offer web-based readers or mobile apps that allow you to read eBooks on your computer, tablet, or smartphone. How do I avoid digital eye strain while reading eBooks? To prevent digital eye strain, take regular breaks, adjust the font size and background color, and ensure proper lighting while reading eBooks. What the advantage of interactive eBooks? Interactive eBooks incorporate multimedia elements, quizzes, and activities, enhancing the reader engagement and providing a more immersive learning experience. Appliance Service Manuals is one of the best book in our library for free trial. We provide copy of Appliance Service Manuals in digital format, so the resources that you find are reliable. There are also many Ebooks of related with Appliance Service Manuals. Where to download Appliance Service Manuals online for free? Are you looking for Appliance Service Manuals PDF? This is definitely going to save you time and cash in something you should think about.

Find Appliance Service Manuals :

[ableton manual 9](#)

acca manual j forms

acciones para invertir bolsa 2016 ebook

abschlusspr fung hauptschule baden w rtemberg mathematik forster

accidental branding how ordinary people build extraordinary brands hardcover 2008 author david vinjamuri

[ac 7580 service manual](#)

[abnormal psychology an integrative approach with coursemate printed access card](#)

accessing the wan lab manual

absolute beginners harmonica

[abstract jam issue 1](#)

access 2007 2010 user manual

[accidental death a dennis haggarty mystery](#)

abstract adventure viii a kaleidoscopia coloring book geoscopic patterns

~~academic capitalism politics policies and the entrepreneurial university american land classics~~

abu dhabi en quelques jours

Appliance Service Manuals :

herrn lehmanns reisen um die welt abenteuer in neuseeland - Aug 28 2022

web herr lehmann der sprechende gartenzwerg begibt sich wieder auf die reise mit seinem freund dem herrn reisegern lernt er menschen tiere und landschaften in neuseeland kennen eigentlich gehört der zwerg ja in den garten von frau sauertopf aber die ist inzwischen so begeistert von den geschichten die herr lehmann im ersten band der

herrn lehmanns reisen um die welt abenteuer in südafrika - Apr 23 2022

web nun habe ich alle 3 hörbücher von herrn lehmann und warte jetzt schon auf nr 4 wunderbarer erzählstil genau die richtige kapitellänge für die kinder das kopfokino wird bei den zuhörern angeregt allerdings liest henning krautmacher aber auch so brilliant dass es nicht schwerfällt die abenteuer des herrn lehmann mitzu erleben

herrn lehmanns reisen um die welt abenteuer in alaska - Oct 10 2023

web herrn lehmanns reisen um die welt abenteuer in alaska maas jutta amazon com tr kitap Çerez tercihlerinizi seçin Çerez bildirimimizde detaylandırıldığı üzere satın alım yapmanızı sağlamak alışveriş deneyiminizi geliştirmek ve hizmetlerimizi

sunmak için gerekli olan çerezleri ve benzer araçları kullanıyoruz

[herrn lehmanns reisen um die welt abenteuer in alaska](#) - Jun 06 2023

web herrn lehmanns reisen um die welt abenteuer in alaska ebook written by jutta maas saskia gaymann read this book using google play books app on your pc android ios devices download for offline reading highlight bookmark or take notes while you read herrn lehmanns reisen um die welt abenteuer in alaska

herrn lehmanns reisen um die welt abenteuer in alaska zvab - Mar 03 2023

web also fasst herr lehmann den plan sich heimlich im koffer von herrn reisegern zu verstecken um in der weiten welt geschichten zu sammeln die erste reise führt das ungleiche paar nach alaska dort erfährt der zwergenmann viele interessante dinge über die einwohner die tiere und die geschichte des landes herrn lehmanns reisen

[herr lehmanns weltreiselebensgeschichten youtube](#) - Oct 30 2022

web 2017 2018 fuhren wir durch russland die mongolei kasachstan kirgistan und bis in den iran nun zurück in deutschland geht die reise weiter und mr pink bleibt martins ständige wohnung

herrn lehmanns reisen um die welt abenteuer in alaska zvab - May 05 2023

web herrn lehmanns reisen um die welt abenteuer in alaska von jutta maas beim zvab com isbn 10 394417688x isbn 13 9783944176888 nepa verlag hardcover reseña del editor herr lehmann ist ein gartenzwerg doch er ist kein gewöhnlicher zwerg denn er kann sprechen und sein sehnlichster wunsch ist es seine griesgrämige

[herrn lehmanns reisen um die welt abenteuer in alaska](#) - Sep 09 2023

web herrn lehmanns reisen um die welt abenteuer in alaska gebundene ausgabe 2 oktober 2016 von jutta maas autor 6 sternebewertungen buch 1 von 3 herrn lehmanns reisen um die welt alle formate und editionen anzeigen hörbuch 0 00 gratis im audible probemonat gebundenes buch 12 99 3 gebraucht ab 2 32 3 neu ab 12 99

herr lehmanns weltreise facebook - Jun 25 2022

web herr lehmanns weltreise gefällt 7 237 mal 2 personen sprechen darüber liebe lebe reise Über fernweh und fremde länder losfahren wiederankommen bewusstsein

[herrn lehmanns reisen um die welt abenteuer in alaska](#) - Feb 02 2023

web lese herrn lehmanns reisen um die welt abenteuer in alaska gratis von jutta maas verfügbar als hörbuch jetzt 14 tage gratis testen 14 tage gratis jederzeit kündbar lies höre unbegrenzt große auswahl an neuen büchern 9 10 lesen mehr mit nextory

herrn lehmanns reisen um die welt hörbuch reihe audible de - Apr 04 2023

web may 24 2018 also fasst herr lehmann den plan sich heimlich im koffer von herrn reisegern zu verstecken um in der weiten welt geschichten zu sammeln die erste reise führt das ungleiche paar nach alaska dort erfährt der zwergenmann viele

interessante dinge über die einwohner die tiere und die geschichte des landes

herrn lehmanns reisen um die welt abenteuer in neuseeland - May 25 2022

web herrn lehmanns reisen um die welt abenteuer in neuseeland von maas jutta beim zvb com isbn 10 3946814271 isbn 13 9783946814276 nepa verlag 2018 reseña del editor herr lehmann der sprechende gartenzwerg begibt sich wieder auf die reise mit seinem freund dem herrn reisegern lernt er menschen tiere und

jutta maas herrn lehmanns reisen um die welt abenteuer in - Sep 28 2022

web herrn lehmanns reisen um die welt abenteuer in südafrika buch gebunden von jutta maas bei hugendubel de online bestellen oder in der filiale abholen

herrn lehmanns reisen um die welt die webseite des - Nov 30 2022

web unser nachbar der herr reisegern nimmt mich mit auf seinen touren durch die welt und besonders auch durch deutschland und was haben wir nicht alles gemeinsam erlebt auf meiner seite findest du informationen rund um meine reisen und die bücher in denen all unsere abenteuer aufgeschrieben sind da können bestimmt auch deine eltern und

[herrn lehmanns reisen um die welt abenteuer in al 2023](#) - Mar 23 2022

web herrn lehmanns reisen um die welt abenteuer in al as capably as evaluation them wherever you are now vollständiges bücher lexicon enthaltend alle von 1750 bis zu ende des jahres 1832 1910 in deutschland und in den angrenzenden ländern gedruckten bücher christian gottlob kayser 1904 nationalzeitung 1862 allgemeine

[herrn lehmanns reisen um die welt abenteuer in al 2022](#) - Feb 19 2022

web herrn lehmanns reisen um die welt abenteuer in al 1 herrn lehmanns reisen um die welt abenteuer in al berlin blues die aula allgemeine theaterzeitung mährische biene globus schorers familienblatt das war s carl köppen und sein wirken als militäarinstrukteur für das fürstentum kii wakayama 1869 1872

herrn lehmanns reisen um die welt abenteuer in alaska - Jan 01 2023

web oct 7 2016 amazon com herrn lehmanns reisen um die welt abenteuer in alaska 9783944176888 maas jutta books skip to main content us delivering to lebanon 66952 update location books select the department you want to search in search amazon en hello sign in account lists

herr lehmanns weltreise facebook - Jul 27 2022

web herr lehmanns weltreise 7 231 likes 3 talking about this liebe lebe reise Über fernweh und fremde länder losfahren wiederankommen bewusstsein

herrn lehmanns reisen um die welt abenteuer in alaska - Aug 08 2023

web also fasst herr lehmann den plan sich heimlich im koffer von herrn reisegern zu verstecken um in der weiten welt geschichten zu sammeln die erste reise führt das ungleiche paar nach alaska dort erfährt der zwergenmann viele

interessante dinge über die einwohner die tiere und die geschichte des landes

meine bücher herr lehmanns reisen um die welt - Jul 07 2023

web abenteuer in aller welt herr lehmann entdeckt verborgene schätze in thüringen herr lehmann den sprechenden gartenzwerg und seinen freund herrn reisegern zieht es wieder in die ferne doch diesmal geht es nicht hinaus in die weite welt oder in fremde länder in diesem buch reisen die beiden in die mitte deutschland nach thüringen

why john le carré s the spy who came in from the cold is the - Mar 04 2022

web pdf i spy bath i spy bath book review here is the very best book i have study until now it is rally fascinating through looking at period of time it is extremely difficult to leave

испу Википедия - Oct 19 2020

what to watch with your kids spy kids armageddon and more - Aug 29 2021

web 20 hours ago during a showcase of its new and upgraded own brand devices amazon confirmed that the second generation fire tv stick 4k and 4k max are available to pre

[i spy bath part 3 youtube](#) - Sep 17 2020

i spy tv series 2002 imdb - Dec 01 2021

web sep 17 2023 september 18 2023 at 1 52 am pdt listen 6 40 as students flooded back into beijing s top universities in early september a propaganda blitz around campuses

garland defends spy powers but their future remain uncertain - Jun 26 2021

web sep 17 2023 china s spy balloon what we ve learned 04 34 it was surely the most bizarre crisis of the biden administration america s top of the line jet fighters being sent

i spy bath by i spy waterstones - Jul 08 2022

web aug 31 2023 the spy was the last novel he published before he was like many compromised by double agent kim philby s infamous 1963 betrayal of his fellow british

caught in the bath spyfam - Oct 11 2022

web 17 hours ago in a new promotion for their film spy kids armageddon netflix brought back the iconic crying kid meme the meme which featured an adorable kid swiftly going

how to set up a hidden camera in your bathroom - Feb 15 2023

web select the department you want to search in

spy kids has austin roots axios austin - Jan 22 2021

web about press copyright contact us creators advertise developers terms privacy policy safety how youtube works test new features nfl sunday ticket press copyright

[spy kids armageddon review amiable netflix reboot](#) - May 26 2021

web sep 19 2023 the movie was shot in austin in the summer of 2022 catch up quick the original austin made trilogy follows two kids carmen alexa penavega and june daryl

i spy bath michelin i spy guides amazon com tr - Aug 21 2023

web arama yapmak istediğiniz kategoriye seçin

toilet club net best toilet voyeur site - Nov 19 2020

i spy bath michelin i spy guides paperback 1 may 2011 - Nov 12 2022

web may 1 2011 2 50 paperback 64 pages published 01 05 2011 this product is currently unavailable synopsis publisher michelin editions des voyages isbn 9782067159570

i spy 2002 film wikipedia - Sep 29 2021

web 7 hours ago spy kids armageddon netflix s reboot of the franchise with the original writer director robert rodriguez understands the wells of nostalgia it s tapping though it

step daughter shower surprise spyfam - Jan 02 2022

web 4 hours ago age 6 enchanting series about a pegasus lots of product placement barbie a touch of magic is a tv series based on classic mattel characters it follows

c i a discloses identity of second spy involved in argo operation - Dec 21 2020

video shows school employee hitting 3 year old nonverbal - Jun 19 2023

web sep 14 2023 video from an ohio school s hallway camera shows a school employee chasing a 3 year old down the hall and hitting him in the head from behind knocking him

i spy bath i spy 9782067159570 amazon com books - Aug 09 2022

web feb 7 2021 family vacay shower surprise february 7th 2021 views 66863 starring kenzie reeves taboo spying on family members click here for membership to full

xi s security obsession turns ordinary citizens into spy hunters - Jul 28 2021

web ispy indir ispy bilgisayara bağlı olan web kamerası ve mikrofonu kullanarak bu donanımlarla sesli bir güvenlik kamerası aracını ortaya çıkarır ispy web

the bizarre secret behind china s spy balloon cbs news - Feb 20 2021

web ispy программное обеспечение для установки на компьютер под управлением операционных систем семейства windows Позволяет одновременно работать с

amazon launches upgraded fire tv stick 4k and 4k max for - Apr 24 2021

web sep 14 2023 for the first time on thursday the ci a is releasing the identity of that second officer ed johnson in the season finale of its new podcast the langley files

ispy indir güvenli kamerası programı indirbak - Mar 24 2021

web sep 19 2023 site news aug 8 2021 a chinese version site was added feb 19 2020 update will be speed up sep 10 2018 the price increased to us 49 95 to cover

i spy bath resources nche gitlab io - Oct 31 2021

web 1 day ago this upcoming movie featuring nicolas cage looks interesting to quote andy baio finally a movie about the universal experience of having nicolas cage randomly

i spy bath michelin i spy guides paperback amazon co uk - Jul 20 2023

web discover the world around you with i spy bath is the only city in britain to be a designated usesco world heritage site and is full of magnificent historical buildings and sights

i spy bath private investigator in bath 599 cheap st bath - May 18 2023

web i spy bath what we offerwhen you come to i spy bath you get exactly what you are looking for our detective agency houses some of simply the absolute bes

crying kid meme is back to promote spy kids armageddon - Jun 07 2022

web [unclear] air force 1 x tiffany co air force 1 [unclear] [unclear] [unclear] 1982 [unclear] [unclear] [unclear] [unclear] [unclear] [unclear] [unclear] [unclear] [unclear] [unclear] [unclear] [unclear]

i spy bath part 4 youtube - Mar 16 2023

web aug 19 2023 ehomful mini spy camera is the most compact product in this review of the best bathroom spy cameras measuring only 1 x 1 x 1 inches it comes with an integrated

5 best bathroom spy cameras fall 2023 reviews - Jan 14 2023

web jan 31 2017 caught in the bath january 31st 2017 views 62260 starring lilly ford taboo spying on family members click here for membership to full length episode

i spy bath home facebook - Apr 17 2023

web aug 27 2023 about press copyright contact us creators advertise developers terms privacy policy safety how youtube works test new features nfl sunday ticket

i spy bath buy i spy bath by i spy at low price in india flipkart - Sep 10 2022

web jan 6 2021 with i spy cctv we have a wide range of professional cctv solutions and packages to suit your budget and your security needs we are security specialists for

air force 1 x tiffany co nike - Feb 03 2022

web i spy commonly styled i spy is a 2002 american buddy spy comedy film directed by betty thomas and starring eddie murphy and owen wilson the film is based on the television

family vacay shower surprise spyfam - Apr 05 2022

web the most fun adventure ever spyler and cece searched for the missing items what duck told them to spy spyler and cece brought back the items so they can create items

cctv and alarm systems for bath i spy cctv - May 06 2022

web jun 25 2018 step daughter shower surprise june 25th 2018 views 122234 starring athena faris taboo spying on family members click here for membership to full

top 7 best mini spy cameras for bathrooms simple - Dec 13 2022

web i spy bath by i spy from flipkart com only genuine products 30 day replacement guarantee free shipping cash on delivery

experiment 2 amoeba animal and plant tissue pdf - Mar 29 2022

web sep 13 2017 procedures and observation 1 examine the prepared slides of cross sections of dicot and monocot stems and roots using the 4x objective lens 2 identify the

biology a2 empa task 2 pdf pdf pdf stoa org - Feb 08 2023

web biology a2 empa task 2 pdf full pdf harvard university web 2 structures and related topics it treats the underlying concepts of risk and safety and introduces the reader to the main

unit 2 and empa alevel revision notes - Jun 12 2023

web the a2 empa focused around task 1 the experiment task 2 a statistical test which i have provided my notes for below and task 3 a written examination relating to the

apostila pdf de biologia enem volume 2 me salva - Nov 24 2021

web volume ii no segundo volume você encontrará os conteúdos de citologia ii organelas e suas funções metabolismo energético fisiologia humana microbiologia fungos

logaholic com - Oct 04 2022

web logaholic com

a level biology empa task sheet 2 unit 06x empa june 2014 - Aug 14 2023

web 2 task 2 introduction you are going to investigate the movement of maggots in task 2 you will investigate the relationship between the number of times a maggot changes direction

biology a2 empa task 2 pdf pdf help environment harvard edu - Jan 07 2023

web biology a2 empa task 2 pdf passing the principal as instructional leader texes exam nov 30 2022 the premier guide to acing the exam completely revised the toughest

biology 2e clark mary ann author free download borrow - Jan 27 2022

web biology 2e 2nd edition is designed to cover the scope and sequence requirements of a typical two semester biology course for science majors the text provides

biology a2 empa task 2 pdf pdf pdf status restek wwu - Mar 09 2023

web webdownload books biology a2 empa task 2 pdf download books biology a2 empa task 2 pdf online download books biology a2 empa task 2 pdf pdf download

a level biology empa task sheet 2 unit 06x empa june 2014 - Jul 01 2022

web aqa biology a2 why love matters sources in california s environmental history primal leadership the handbook of communication skills a level biology empa task

biology a2 empa task 2 pdf full pdf - Apr 10 2023

web biology a2 empa task 2 pdf aqa biology a2 empa mar 13 2023 nail your a2 empa i have taught marked and moderated a level isas and empas for aqa and from this

biology form 2 term 2 past and revision papers - Oct 24 2021

web biology form 2 term 2 past and revision papers with marking schemes 20 7 2021 1 comment bio f2 t2 21 001 docx download file bio f2 t2 21 002 pdf

biology a2 empa task 2 pdf app oaklandlibrary - May 11 2023

web 2 2 biology a2 empa task 2 pdf 2020 05 21 biology a2 empa task 2 pdf downloaded from app oaklandlibrary org by guest karlee wang a2 biology empa 2014 help

a level biology empa task sheet 2 unit 06x empa june 2014 - Feb 25 2022

web a level biology task sheet unit 03x empa task 2 june 2012 a level biology empa task sheet 2 unit 03x empa june 2014 aqa as biology empa 2014 questions

biology empa aqa 2015 task 2 pdf alumni bethnalgreenventures - Apr 29 2022

web task 2we provide biology empa aqa 2015 task 2 and numerous book collections from fictions to scientific research in any way in the midst of them is this biology empa aqa

a level biology empa task sheet 2 unit 06x empa june 2014 - May 31 2022

web thank you very much for reading a level biology empa task sheet 2 unit 06x empa june 2014 maybe you have knowledge that people have look numerous times for their

form 2 biology exams and past papers in kenya tutorke com - Dec 26 2021

web geography history and government home science ire kiswahili mathematics physics 18 exams and past papers form 2 biology end of term 2 examination 2023

biology a2 empa task 2 seaweedsplash dof gov my - Dec 06 2022

web biology a2 empa task 2 that you are looking for it will unconditionally squander the time however below like you visit this web page it will be suitably unconditionally easy to get

biology a2 empa task 2 pdf pdf uniport edu - Sep 03 2022

web jun 16 2023 biology a2 empa task 2 pdf is available in our digital library an online access to it is set as public so you can get it instantly our book servers saves in multiple

textgenomics com - Jul 13 2023

web textgenomics com

biology a2 empa task 2 pdf emails sydneybuddhistcentre org - Nov 05 2022

web decoding biology a2 empa task 2 revealing the captivating potential of verbal expression in a time characterized by interconnectedness and an insatiable thirst for

biology a2 empa task 2 pdf legacy amplifierringiving - Sep 22 2021

web biology a2 empa task 2 pdf is available in our digital library an online access to it is set as public so you can get it instantly our books collection hosts in multiple countries

[download ebook biology a2 empa task 2 pdf file free calc rosta](#) - Aug 02 2022

web biology a2 empa task 2 is available in our book collection an online access to it is set as public so you can download it instantly our digital library spans in multiple locations