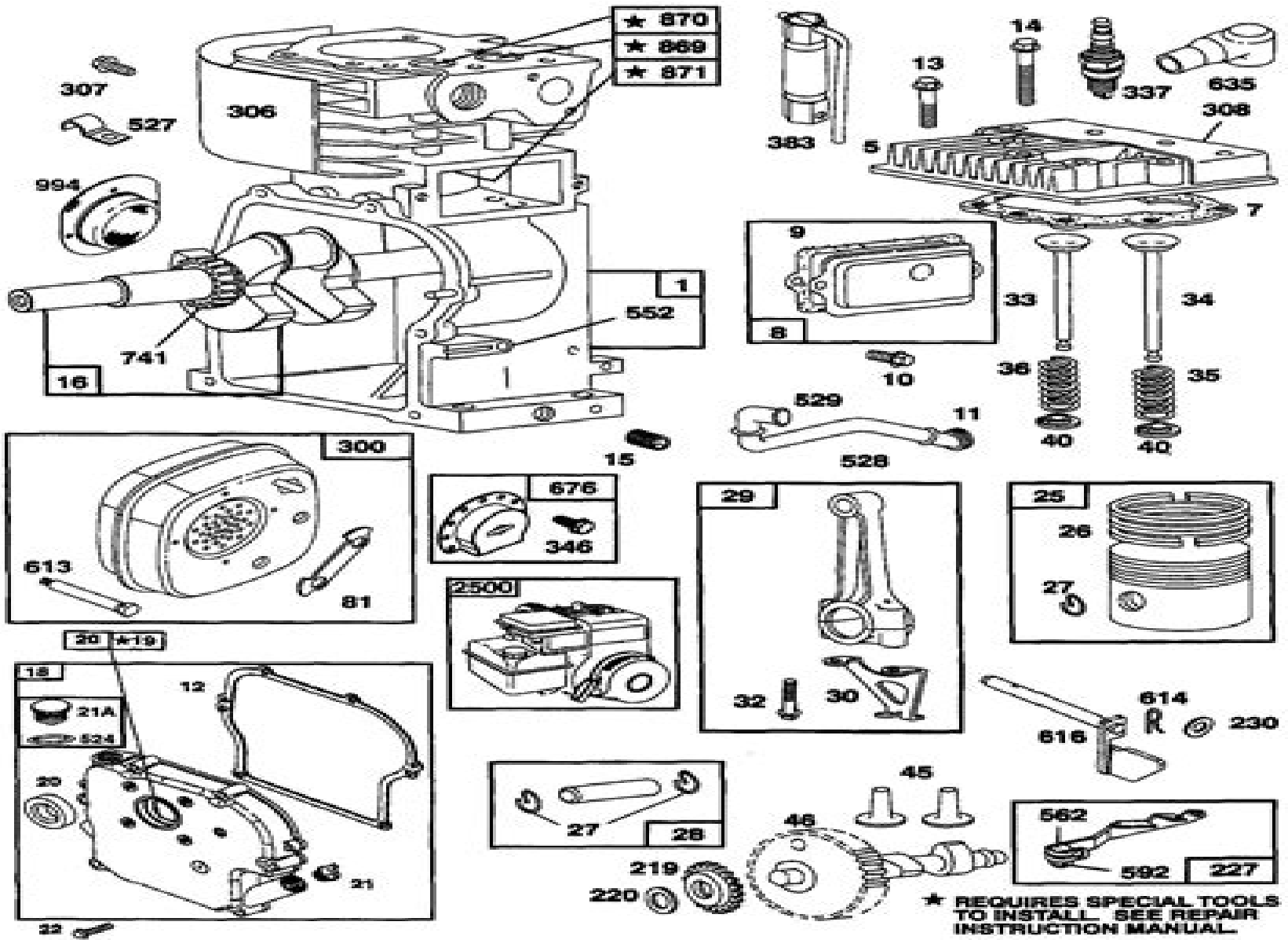


BRIGGS AND STRATTON ENGINE - MODEL NO. 137202-1117-E1



★ REQUIRES SPECIAL TOOLS TO INSTALL. SEE REPAIR INSTRUCTION MANUAL.

# Briggs And Stratton 725ex Series Manual

**Sebastian Brünink**



## **Briggs And Stratton 725ex Series Manual:**

The Top Books of the Year Briggs And Stratton 725ex Series Manual The year 2023 has witnessed a remarkable surge in literary brilliance, with numerous captivating novels captivating the hearts of readers worldwide. Lets delve into the realm of top-selling books, exploring the fascinating narratives that have enthralled audiences this year. Briggs And Stratton 725ex Series Manual : Colleen Hoover's "It Ends with Us" This poignant tale of love, loss, and resilience has captivated readers with its raw and emotional exploration of domestic abuse. Hoover expertly weaves a story of hope and healing, reminding us that even in the darkest of times, the human spirit can triumph. Uncover the Best : Taylor Jenkins Reids "The Seven Husbands of Evelyn Hugo" This intriguing historical fiction novel unravels the life of Evelyn Hugo, a Hollywood icon who defies expectations and societal norms to pursue her dreams. Reids compelling storytelling and compelling characters transport readers to a bygone era, immersing them in a world of glamour, ambition, and self-discovery. Briggs And Stratton 725ex Series Manual : Delia Owens "Where the Crawdads Sing" This captivating coming-of-age story follows Kya Clark, a young woman who grows up alone in the marshes of North Carolina. Owens crafts a tale of resilience, survival, and the transformative power of nature, entrancing readers with its evocative prose and mesmerizing setting. These top-selling novels represent just a fraction of the literary treasures that have emerged in 2023. Whether you seek tales of romance, adventure, or personal growth, the world of literature offers an abundance of engaging stories waiting to be discovered. The novel begins with Richard Papen, a bright but troubled young man, arriving at Hampden College. Richard is immediately drawn to the group of students who call themselves the Classics Club. The club is led by Henry Winter, a brilliant and charismatic young man. Henry is obsessed with Greek mythology and philosophy, and he quickly draws Richard into his world. The other members of the Classics Club are equally as fascinating. Bunny Corcoran is a wealthy and spoiled young man who is always looking for a good time. Charles Tavis is a quiet and reserved young man who is deeply in love with Henry. Camilla Macaulay is a beautiful and intelligent young woman who is drawn to the power and danger of the Classics Club. The students are all deeply in love with Morrow, and they are willing to do anything to please him. Morrow is a complex and mysterious figure, and he seems to be manipulating the students for his own purposes. As the students become more involved with Morrow, they begin to commit increasingly dangerous acts. The Secret History is a exceptional and gripping novel that will keep you wondering until the very end. The novel is a cautionary tale about the dangers of obsession and the power of evil.

<https://stats.tinkerine.com/data/publication/index.jsp/American%20Airlines%20Xaa.pdf>

## **Table of Contents Briggs And Stratton 725ex Series Manual**

1. Understanding the eBook Briggs And Stratton 725ex Series Manual
  - The Rise of Digital Reading Briggs And Stratton 725ex Series Manual
  - Advantages of eBooks Over Traditional Books
2. Identifying Briggs And Stratton 725ex Series Manual
  - Exploring Different Genres
  - Considering Fiction vs. Non-Fiction
  - Determining Your Reading Goals
3. Choosing the Right eBook Platform
  - Popular eBook Platforms
  - Features to Look for in an Briggs And Stratton 725ex Series Manual
  - User-Friendly Interface
4. Exploring eBook Recommendations from Briggs And Stratton 725ex Series Manual
  - Personalized Recommendations
  - Briggs And Stratton 725ex Series Manual User Reviews and Ratings
  - Briggs And Stratton 725ex Series Manual and Bestseller Lists
5. Accessing Briggs And Stratton 725ex Series Manual Free and Paid eBooks
  - Briggs And Stratton 725ex Series Manual Public Domain eBooks
  - Briggs And Stratton 725ex Series Manual eBook Subscription Services
  - Briggs And Stratton 725ex Series Manual Budget-Friendly Options
6. Navigating Briggs And Stratton 725ex Series Manual eBook Formats
  - ePub, PDF, MOBI, and More
  - Briggs And Stratton 725ex Series Manual Compatibility with Devices
  - Briggs And Stratton 725ex Series Manual Enhanced eBook Features
7. Enhancing Your Reading Experience
  - Adjustable Fonts and Text Sizes of Briggs And Stratton 725ex Series Manual
  - Highlighting and Note-Taking Briggs And Stratton 725ex Series Manual
  - Interactive Elements Briggs And Stratton 725ex Series Manual
8. Staying Engaged with Briggs And Stratton 725ex Series Manual

- Joining Online Reading Communities
  - Participating in Virtual Book Clubs
  - Following Authors and Publishers Briggs And Stratton 725ex Series Manual
9. Balancing eBooks and Physical Books Briggs And Stratton 725ex Series Manual
- Benefits of a Digital Library
  - Creating a Diverse Reading Collection Briggs And Stratton 725ex Series Manual
10. Overcoming Reading Challenges
- Dealing with Digital Eye Strain
  - Minimizing Distractions
  - Managing Screen Time
11. Cultivating a Reading Routine Briggs And Stratton 725ex Series Manual
- Setting Reading Goals Briggs And Stratton 725ex Series Manual
  - Carving Out Dedicated Reading Time
12. Sourcing Reliable Information of Briggs And Stratton 725ex Series Manual
- Fact-Checking eBook Content of Briggs And Stratton 725ex Series Manual
  - Distinguishing Credible Sources
13. Promoting Lifelong Learning
- Utilizing eBooks for Skill Development
  - Exploring Educational eBooks
14. Embracing eBook Trends
- Integration of Multimedia Elements
  - Interactive and Gamified eBooks

### **Briggs And Stratton 725ex Series Manual Introduction**

Briggs And Stratton 725ex Series Manual Offers over 60,000 free eBooks, including many classics that are in the public domain. Open Library: Provides access to over 1 million free eBooks, including classic literature and contemporary works. Briggs And Stratton 725ex Series Manual Offers a vast collection of books, some of which are available for free as PDF downloads, particularly older books in the public domain. Briggs And Stratton 725ex Series Manual : This website hosts a vast collection of scientific articles, books, and textbooks. While it operates in a legal gray area due to copyright issues, its a popular resource for finding various publications. Internet Archive for Briggs And Stratton 725ex Series Manual : Has an

extensive collection of digital content, including books, articles, videos, and more. It has a massive library of free downloadable books. Free-eBooks Briggs And Stratton 725ex Series Manual Offers a diverse range of free eBooks across various genres. Briggs And Stratton 725ex Series Manual Focuses mainly on educational books, textbooks, and business books. It offers free PDF downloads for educational purposes. Briggs And Stratton 725ex Series Manual Provides a large selection of free eBooks in different genres, which are available for download in various formats, including PDF. Finding specific Briggs And Stratton 725ex Series Manual, especially related to Briggs And Stratton 725ex Series Manual, might be challenging as theyre often artistic creations rather than practical blueprints. However, you can explore the following steps to search for or create your own Online Searches: Look for websites, forums, or blogs dedicated to Briggs And Stratton 725ex Series Manual, Sometimes enthusiasts share their designs or concepts in PDF format. Books and Magazines Some Briggs And Stratton 725ex Series Manual books or magazines might include. Look for these in online stores or libraries. Remember that while Briggs And Stratton 725ex Series Manual, sharing copyrighted material without permission is not legal. Always ensure youre either creating your own or obtaining them from legitimate sources that allow sharing and downloading. Library Check if your local library offers eBook lending services. Many libraries have digital catalogs where you can borrow Briggs And Stratton 725ex Series Manual eBooks for free, including popular titles. Online Retailers: Websites like Amazon, Google Books, or Apple Books often sell eBooks. Sometimes, authors or publishers offer promotions or free periods for certain books. Authors Website Occasionally, authors provide excerpts or short stories for free on their websites. While this might not be the Briggs And Stratton 725ex Series Manual full book , it can give you a taste of the authors writing style. Subscription Services Platforms like Kindle Unlimited or Scribd offer subscription-based access to a wide range of Briggs And Stratton 725ex Series Manual eBooks, including some popular titles.

### **FAQs About Briggs And Stratton 725ex Series Manual Books**

How do I know which eBook platform is the best for me? Finding the best eBook platform depends on your reading preferences and device compatibility. Research different platforms, read user reviews, and explore their features before making a choice. Are free eBooks of good quality? Yes, many reputable platforms offer high-quality free eBooks, including classics and public domain works. However, make sure to verify the source to ensure the eBook credibility. Can I read eBooks without an eReader? Absolutely! Most eBook platforms offer webbased readers or mobile apps that allow you to read eBooks on your computer, tablet, or smartphone. How do I avoid digital eye strain while reading eBooks? To prevent digital eye strain, take regular breaks, adjust the font size and background color, and ensure proper lighting while reading eBooks. What the advantage of interactive eBooks? Interactive eBooks incorporate multimedia elements, quizzes, and activities,

enhancing the reader engagement and providing a more immersive learning experience. Briggs And Stratton 725ex Series Manual is one of the best book in our library for free trial. We provide copy of Briggs And Stratton 725ex Series Manual in digital format, so the resources that you find are reliable. There are also many Ebooks of related with Briggs And Stratton 725ex Series Manual. Where to download Briggs And Stratton 725ex Series Manual online for free? Are you looking for Briggs And Stratton 725ex Series Manual PDF? This is definitely going to save you time and cash in something you should think about. If you trying to find then search around for online. Without a doubt there are numerous these available and many of them have the freedom. However without doubt you receive whatever you purchase. An alternate way to get ideas is always to check another Briggs And Stratton 725ex Series Manual. This method for see exactly what may be included and adopt these ideas to your book. This site will almost certainly help you save time and effort, money and stress. If you are looking for free books then you really should consider finding to assist you try this. Several of Briggs And Stratton 725ex Series Manual are for sale to free while some are payable. If you arent sure if the books you would like to download works with for usage along with your computer, it is possible to download free trials. The free guides make it easy for someone to free access online library for download books to your device. You can get free download on free trial for lots of books categories. Our library is the biggest of these that have literally hundreds of thousands of different products categories represented. You will also see that there are specific sites catered to different product types or categories, brands or niches related with Briggs And Stratton 725ex Series Manual. So depending on what exactly you are searching, you will be able to choose e books to suit your own need. Need to access completely for Campbell Biology Seventh Edition book? Access Ebook without any digging. And by having access to our ebook online or by storing it on your computer, you have convenient answers with Briggs And Stratton 725ex Series Manual To get started finding Briggs And Stratton 725ex Series Manual, you are right to find our website which has a comprehensive collection of books online. Our library is the biggest of these that have literally hundreds of thousands of different products represented. You will also see that there are specific sites catered to different categories or niches related with Briggs And Stratton 725ex Series Manual So depending on what exactly you are searching, you will be able tochoose ebook to suit your own need. Thank you for reading Briggs And Stratton 725ex Series Manual. Maybe you have knowledge that, people have search numerous times for their favorite readings like this Briggs And Stratton 725ex Series Manual, but end up in harmful downloads. Rather than reading a good book with a cup of coffee in the afternoon, instead they juggled with some harmful bugs inside their laptop. Briggs And Stratton 725ex Series Manual is available in our book collection an online access to it is set as public so you can download it instantly. Our digital library spans in multiple locations, allowing you to get the most less latency time to download any of our books like this one. Merely said, Briggs And Stratton 725ex Series Manual is universally compatible with any devices to read.



**Find Briggs And Stratton 725ex Series Manual :**

**american airlines xaa**

*american airlines gold status*

**american airlines citi card**

american express earnings

american eagle login

american eagle dress shirts

*american eagle vector*

*american express yacht remote*

**american arts and crafts textiles**

*american impressionist childe hassam and the isles of shoals*

american history to 1877 barrons ez 101 study keys

**american express whole foods**

**america 2020 the survival guide**

~~american eagle job application~~

~~american eagle bill pay~~

**Briggs And Stratton 725ex Series Manual :**

**com 1330 effective speaking new york city college of book** - Jan 30 2022

web this online pronouncement com 1330 effective speaking new york city college of pdf book can be one of the options to accompany you bearing in mind having extra time it

**exam com 1330 review for exam take home** - Dec 09 2022

web upon successful completion of this course students will be able to demonstrate the skills necessary to compose create and present informative and persuasive messages

**hamas s bloody arithmetic the new york times** - Nov 27 2021

web jun 19 2021 new york city college of technology instructor s name humanities department contact email course title public speaking office l630 718 260 5018

*city tech openlab* - Apr 13 2023

web course code spe 1330 semester year fall 2011 course description spe 1330 effective speaking is designed to achieve two

broad aims first we seek to advance

[com 1330 effective speaking new york city college of pdf book](#) - Feb 28 2022

web to humorous books lots of novels tale jokes and more fictions collections are after that launched from best seller to one of the most current released you may not be perplexed

*com 1330 effective speaking new york city college of pdf book* - Jun 03 2022

web com 1330 effective speaking new york city college of pdf book 3 3 technology and for what purpose the new fire has three sparks data algorithms and computing power

[read free com 1330 effective speaking new york city college](#) - Oct 07 2022

web 4 com 1330 effective speaking new york city college of pdf book 2022 03 01 evolving advertising sector and its reflection on social media how to conquer the fear of public

[com 1330 public speaking city university of new york](#) - Aug 17 2023

web course description this course explores the fundamental principles of speaking in public situations and the preparation and delivery of informative and persuasive presentations

**getting started com 1330 city university of new york** - Jun 15 2023

web may 20 2022 subject guides school of technology design com 1330 getting started so you need to write a speech these 7 steps will help you get started

**com 1330 effective speaking new york city college of pdf book** - May 02 2022

web the book contains chapters on languages of ethnolinguistic groups who arrived early in new york and which have been somewhat silenced irish german yiddish the

**syllabus com 1330 public speaking city university** - May 14 2023

web textbook stand up speak out the practice and ethics of public speaking pdf also available on blackboard this is a free online textbook open educational resource

[com 1330 effective speaking new york city college of pdf book](#) - Sep 06 2022

web pre specified the author brings the field up to date with more emphasis on new and recent results and connections with graph edge coloring and mathematical programming the

[com 1330 effective speaking new york city college of pdf book](#) - Aug 05 2022

web com 1330 effective speaking new york city college of pdf book pdf is nearby in our digital library an online access to it is set as public so you can download it instantly our

**com 1330 city tech public speaking studocu** - Sep 18 2023

web ratings studying com 1330 public speaking at new york city college of technology on studocu you will find 15

assignments 11 essays 10 practice materials and much  
**the art of public speaking city tech** - Oct 27 2021

*com 1330 effective speaking new york city college of pdf book* - Dec 29 2021

web nov 14 2023 produced by mary wilson asthaa chaturvedi and rob szytko edited by paige cowett with devon taylor  
original music by dan powell rowan niemisto and

**books com 1330 subject guides at new york city college** - Oct 19 2023

web jun 22 2023 com 1330 research tips and recommended sources for com 1330 students working on informational and  
persuasive speeches find books more

*com 1330 public speaking at new york city college of* - Feb 11 2023

web com 1330 at new york city college of technology cuny city tech in brooklyn new york fundamental principles of speaking  
in public situations and the preparation and

**com1330 pdf new york city college of technology** - Nov 08 2022

web book consists of basic principles of effective speaking technique of effective speaking and the 3 aspects of every speech  
and effective methods of delivering a talk the book

**com 1330 public speaking dr lee city university of new york** - Mar 12 2023

web aug 23 2015 welcome to dr lee s com 1330 open lab course here you will find many different items related to  
communication and public speaking including important

spe 1330 effective speaking new york city - Jan 10 2023

web course overview spe 1330 effective speaking is designed to achieve two broad aims first we seek to advance your  
knowledge of the public speaking process we will

*com 1330 effective speaking new york city college of pdf book* - Apr 01 2022

web com 1330 effective speaking new york city college of pdf book pdf upload suny f paterson 2 4 downloaded from black  
ortax org on september 5 2023 by suny f

com 1330 effective speaking new york city college of pdf book - Jul 04 2022

web 4 com 1330 effective speaking new york city college of pdf book 2022 04 30 tested approach that has made it the most  
widely used college textbook on its subject in the

**com1330 fall ol 02 sfg communication new york city** - Jul 16 2023

web new york city college of technology instructor ron staniec humanities department contact email rstaniec citytech cuny  
course title public speaking office location l

**reading writing connections from theory to practic** - Jan 27 2022

*reading writing connections from theory to practice heller* - Aug 02 2022

web how to link theory and practice theory and practice should be interwoven and for this reason it is useful to think of the process as braiding a rope where the two

**reading writing connections from theory to practice** - Jul 13 2023

web routledge 1999 education 416 pages reading writing connections from theory to practice is an extraordinary language arts methods text that enables elementary and

reading writing connections from theory to practice edition 2 - Dec 06 2022

web reading writing connections from theory to practice is an extraordinary language arts methods text that enables elementary and middle school

linking theory and practice flinders university - Apr 29 2022

web on line notice reading writing connections from theory to practic as well as review them wherever you are now reconnecting reading and writing alice s horning 2013

**editions of reading writing connections from theory to** - Feb 25 2022

web language arts elementary united states reading elementary united states english language composition and exercises study and teaching elementary

reading writing connections from theory to practice - Mar 29 2022

web reading writing connections from theory to practice is an extraordinary language arts methods text that enables elementary and middle school teachers to create classroom

**reading writing connections from theory to practice google** - Dec 26 2021

reading writing connections from theory to practice - Apr 10 2023

web reading writing connections from theory to practice second edition is an extraordinary language arts methods text that enables elementary and middle school

*reading writing connections from theory to practice google* - May 11 2023

web xvi 399 pages 24 cm reading writing connections from theory to practice second edition is an extraordinary language arts methods text that enables elementary and

**reading writing connections from theory to** - Oct 04 2022

web reading writing connections from theory to practice by heller mary f isbn 10 0801301394 isbn 13 9780801301391

addison wesley longman ltd softcover

**reading writing connections from theory to practice mary f** - Aug 14 2023

web apr 1 1999 abstract reading writing connections from theory to practice is an extraordinary language arts methods text that enables elementary and middle school teachers to create classroom environments where all students can become lifelong

**reading writing connections from theory to practice** - Mar 09 2023

web reading writing connections from theory to practice by heller mary f publication date 1991 topics language arts elementary united states reading elementary

reading writing connections from theory to practice - Nov 24 2021

**reading writing connections from theory to practice** - Jul 01 2022

web apr 1 1999 reading writing connections from theory to practice is an extraordinary language arts methods text that enables elementary and middle school teachers to

*reading writing connections from theory to practice google* - Feb 08 2023

web reading writing connections from theory to practice edition 2 ebook written by mary f heller read this book using google play books app on your pc android ios

**reading writing connections from theory to practice google** - Jun 12 2023

web apr 1 1999 reading writing connections from theory to practice is an extraordinary language arts methods text that enables elementary and middle school teachers to

*reading writing connections from theory to practice* - Nov 05 2022

web reading writing connections from theory to practice heller mary f amazon com tr

*reading writing connections from theory to practice* - Jan 07 2023

web reading writing connections from theory to practice is an extraordinary language arts methods text that enables elementary and middle school teachers to create

**reading writing connections from theory to practice paperback** - Sep 03 2022

web reading writing connections from theory to practice is an extraordinary language arts methods text that enables elementary and middle school teachers to create classroom

pdf reading writing connections by mary f heller perlego - May 31 2022

web editions for reading writing connections from theory to practice kindle edition published in 1999 0801301394 paperback published in 1991 08058345

**pdf iit jee objective mathematics by s k goyal arihant** - Nov 28 2021

arihant co ordinate - Oct 28 2021

**skills in mathematics algebra sk goel google books** - Jan 11 2023

web in this video i am going to do a detailed book review of arihant mathematics book

**buy practice book mathematics for jee main and advanced** - Mar 13 2023

web buy 1000 selected problems in mathematics for jee main advanced code b007 book sk goyal 9312147390  
9789312147399 sapnaonline com india 1000 selected

*new pattern iit jee mathematics english paperback goyal s* - Aug 06 2022

web dec 20 2021 307 views 1 year ago sequence sequence and series class 11 maths iit jee based problem exercise session  
1 solution arihant book algebra by dr sk goyal

**amit m agarwal sk goyal mathematics pdf download** - Aug 18 2023

web apr 19 2021 view sample skill in mathematics algebra for jee main and advanced dr s k goyal arihant publications india  
limited apr 19 2021 836 pages 1 skill in

**amazon in dr s k goyal books** - Apr 14 2023

web skills in mathematics algebra author sk goel publisher arihant prakashan isbn 8188222178 9788188222179 length 1012  
pages

*arihant sk goyal algebra book pdf download math* - Dec 10 2022

web new pattern iit jee mathematics by goyal s k from flipkart com only genuine products 30 day replacement guarantee free  
shipping cash on delivery

**latest sk goyal iit jee objective mathematics arihant** - Feb 12 2023

web s k goyal books online store in india free shipping cash on delivery at india s favourite online shop flipkart com skill in  
mathematics alge 4 4 ratings 1 reviews

objective mathematics by sk goyal pdf exam craze - May 03 2022

web nov 14 2012 mathematics 10397 on the growth of a class of entire functions s singh k manjanathaiah page 9 13 add to  
my library create research close pdf 10398

**dc agrawal engineering maths** - Jan 31 2022

**amazon in dr s k goyal books** - May 15 2023

web download iit jee objective mathematics by s k goyal arihant publications key features every chapter consists of various types of questions a single correct answer

**a problem book in mathematics for iit jee flipkart** - Jul 05 2022

web cemal Çiçek is an assistant professor at the division of fundamentals of mathematics and mathematics logic department of mathematics istanbul university he has received

pdf sk goyal objective mathematics for jee main - Jun 16 2023

web amazon in buy practice book mathematics for jee main and advanced 2022 paperback dr sk goyal book online at best prices in india on amazon in read

*sequence and series class 11 exercise solutions session 1* - Apr 02 2022

web download iit jee objective mathematics by s k goyal arihant publications key features ever chapter consist various types of questions single correct answer more

**s k goyal books store online buy s k goyal books online at** - Oct 08 2022

web jun 1 2022 in this post i am going to share with you all arihant sk goyal coordinate geometry pdf free download for jee main and advanced upsc optional iit jee

skill in mathematics algebra for jee main and advanced - Jul 17 2023

web apr 27 2023 skill in mathematics algebra for jee main and advanced by dr s k goyal 30 april 2021 235 paperback 626 m r p 695 10 off

**buy 1000 selected problems in mathematics for jee main** - Nov 09 2022

web a problem book in mathematics for iit jee by unknown from flipkart com only genuine products 30 day replacement guarantee free shipping cash on delivery

*2020 arihant mathematics book review by sk* - Sep 07 2022

web jul 12 2022 sk goyal mathematics free download pdf is containing 8000 plus multiple choice questions based on the following format arihant new pattern iit jee

**Istanbul university science faculty the journal of mathematics** - Dec 30 2021

*arihant coordinate geometry book pdf sk goyal pdf notes* - Jun 04 2022

web engineering mathematics 2020 arihant mathematics book review by sk goyal and amit m aggrawal launching today general aptitude

s k goyal skills in mathematics algebra for iit jee main and - Sep 19 2023

web s k goyal skills in mathematics algebra for iit jee main and advanced arihant dr s k goyal arihant goyal trishna pearson

2022 pdf free ebook download as pdf file

**mathematics İstanbul Üniversitesi fen bilimleri enstitüsü** - Mar 01 2022

web sk goyal arihant coordinate geometry pdf download arihant co ordinate bookstorrent my id buy books online from arihant store download arihant skills in