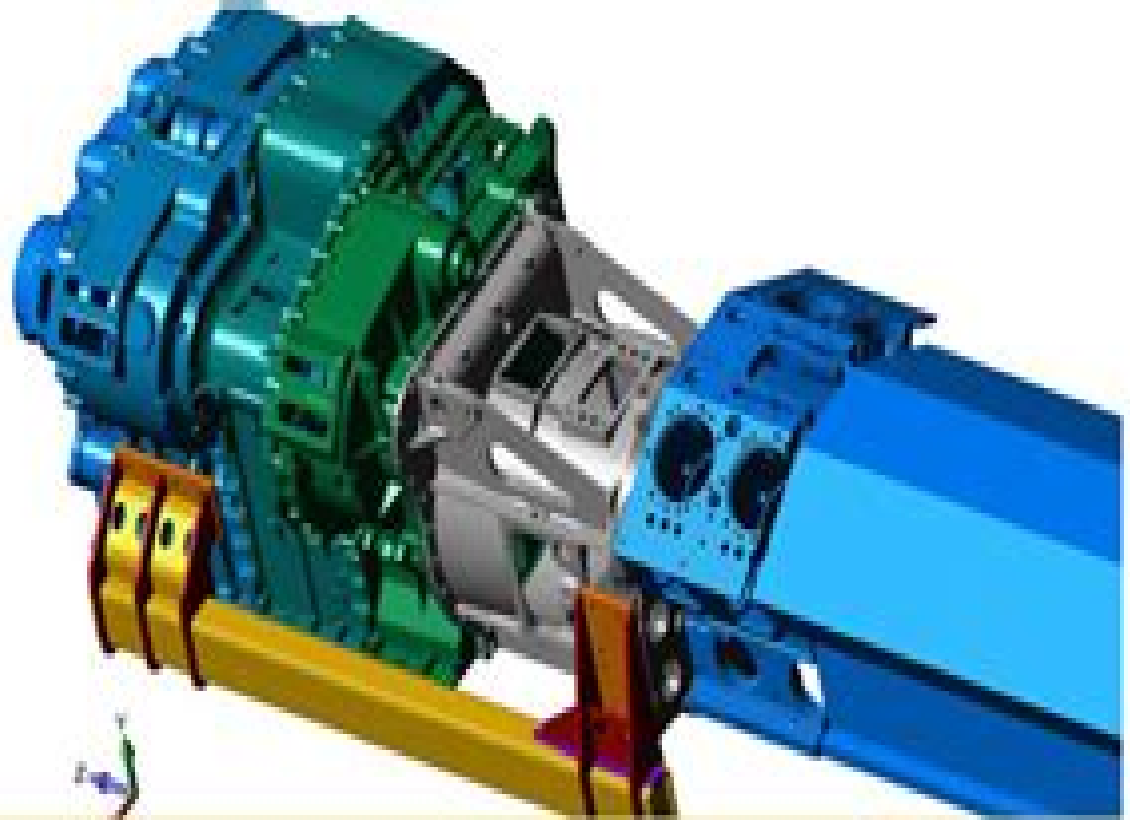


Finite Element Analysis  
**Predictive Engineering**

LS-DYNA Sales, Support  
& Consulting

[www.PredictiveEngineering.com](http://www.PredictiveEngineering.com)



# Principles of Vibration Analysis

# Advanced Vibration Analysis Mechanical Engineering

**Ensheng Dong**

A decorative graphic element consisting of a light blue horizontal bar with a rounded right end, and a red-to-white gradient semi-circle positioned behind the bar's end.

## **Advanced Vibration Analysis Mechanical Engineering:**

Discover tales of courage and bravery in Crafted by is empowering ebook, Unleash Courage in **Advanced Vibration Analysis Mechanical Engineering** . In a downloadable PDF format ( Download in PDF: \*), this collection inspires and motivates. Download now to witness the indomitable spirit of those who dared to be brave.

[https://stats.tinkerine.com/data/virtual-library/Documents/Alpine\\_3516\\_Amplifier\\_Manual.pdf](https://stats.tinkerine.com/data/virtual-library/Documents/Alpine_3516_Amplifier_Manual.pdf)

## **Table of Contents Advanced Vibration Analysis Mechanical Engineering**

1. Understanding the eBook Advanced Vibration Analysis Mechanical Engineering
  - The Rise of Digital Reading Advanced Vibration Analysis Mechanical Engineering
  - Advantages of eBooks Over Traditional Books
2. Identifying Advanced Vibration Analysis Mechanical Engineering
  - Exploring Different Genres
  - Considering Fiction vs. Non-Fiction
  - Determining Your Reading Goals
3. Choosing the Right eBook Platform
  - Popular eBook Platforms
  - Features to Look for in an Advanced Vibration Analysis Mechanical Engineering
  - User-Friendly Interface
4. Exploring eBook Recommendations from Advanced Vibration Analysis Mechanical Engineering
  - Personalized Recommendations
  - Advanced Vibration Analysis Mechanical Engineering User Reviews and Ratings
  - Advanced Vibration Analysis Mechanical Engineering and Bestseller Lists
5. Accessing Advanced Vibration Analysis Mechanical Engineering Free and Paid eBooks
  - Advanced Vibration Analysis Mechanical Engineering Public Domain eBooks
  - Advanced Vibration Analysis Mechanical Engineering eBook Subscription Services
  - Advanced Vibration Analysis Mechanical Engineering Budget-Friendly Options
6. Navigating Advanced Vibration Analysis Mechanical Engineering eBook Formats

- ePub, PDF, MOBI, and More
  - Advanced Vibration Analysis Mechanical Engineering Compatibility with Devices
  - Advanced Vibration Analysis Mechanical Engineering Enhanced eBook Features
7. Enhancing Your Reading Experience
    - Adjustable Fonts and Text Sizes of Advanced Vibration Analysis Mechanical Engineering
    - Highlighting and Note-Taking Advanced Vibration Analysis Mechanical Engineering
    - Interactive Elements Advanced Vibration Analysis Mechanical Engineering
  8. Staying Engaged with Advanced Vibration Analysis Mechanical Engineering
    - Joining Online Reading Communities
    - Participating in Virtual Book Clubs
    - Following Authors and Publishers Advanced Vibration Analysis Mechanical Engineering
  9. Balancing eBooks and Physical Books Advanced Vibration Analysis Mechanical Engineering
    - Benefits of a Digital Library
    - Creating a Diverse Reading Collection Advanced Vibration Analysis Mechanical Engineering
  10. Overcoming Reading Challenges
    - Dealing with Digital Eye Strain
    - Minimizing Distractions
    - Managing Screen Time
  11. Cultivating a Reading Routine Advanced Vibration Analysis Mechanical Engineering
    - Setting Reading Goals Advanced Vibration Analysis Mechanical Engineering
    - Carving Out Dedicated Reading Time
  12. Sourcing Reliable Information of Advanced Vibration Analysis Mechanical Engineering
    - Fact-Checking eBook Content of Advanced Vibration Analysis Mechanical Engineering
    - Distinguishing Credible Sources
  13. Promoting Lifelong Learning
    - Utilizing eBooks for Skill Development
    - Exploring Educational eBooks
  14. Embracing eBook Trends
    - Integration of Multimedia Elements
    - Interactive and Gamified eBooks

## Advanced Vibration Analysis Mechanical Engineering Introduction

Free PDF Books and Manuals for Download: Unlocking Knowledge at Your Fingertips In today's fast-paced digital age, obtaining valuable knowledge has become easier than ever. Thanks to the internet, a vast array of books and manuals are now available for free download in PDF format. Whether you are a student, professional, or simply an avid reader, this treasure trove of downloadable resources offers a wealth of information, conveniently accessible anytime, anywhere. The advent of online libraries and platforms dedicated to sharing knowledge has revolutionized the way we consume information. No longer confined to physical libraries or bookstores, readers can now access an extensive collection of digital books and manuals with just a few clicks. These resources, available in PDF, Microsoft Word, and PowerPoint formats, cater to a wide range of interests, including literature, technology, science, history, and much more. One notable platform where you can explore and download free Advanced Vibration Analysis Mechanical Engineering PDF books and manuals is the internet's largest free library. Hosted online, this catalog compiles a vast assortment of documents, making it a veritable goldmine of knowledge. With its easy-to-use website interface and customizable PDF generator, this platform offers a user-friendly experience, allowing individuals to effortlessly navigate and access the information they seek. The availability of free PDF books and manuals on this platform demonstrates its commitment to democratizing education and empowering individuals with the tools needed to succeed in their chosen fields. It allows anyone, regardless of their background or financial limitations, to expand their horizons and gain insights from experts in various disciplines. One of the most significant advantages of downloading PDF books and manuals lies in their portability. Unlike physical copies, digital books can be stored and carried on a single device, such as a tablet or smartphone, saving valuable space and weight. This convenience makes it possible for readers to have their entire library at their fingertips, whether they are commuting, traveling, or simply enjoying a lazy afternoon at home. Additionally, digital files are easily searchable, enabling readers to locate specific information within seconds. With a few keystrokes, users can search for keywords, topics, or phrases, making research and finding relevant information a breeze. This efficiency saves time and effort, streamlining the learning process and allowing individuals to focus on extracting the information they need. Furthermore, the availability of free PDF books and manuals fosters a culture of continuous learning. By removing financial barriers, more people can access educational resources and pursue lifelong learning, contributing to personal growth and professional development. This democratization of knowledge promotes intellectual curiosity and empowers individuals to become lifelong learners, promoting progress and innovation in various fields. It is worth noting that while accessing free Advanced Vibration Analysis Mechanical Engineering PDF books and manuals is convenient and cost-effective, it is vital to respect copyright laws and intellectual property rights. Platforms offering free downloads often operate within legal boundaries, ensuring that the materials they provide are either in the public domain or authorized for distribution. By adhering to copyright laws, users can enjoy the benefits of free access to

knowledge while supporting the authors and publishers who make these resources available. In conclusion, the availability of Advanced Vibration Analysis Mechanical Engineering free PDF books and manuals for download has revolutionized the way we access and consume knowledge. With just a few clicks, individuals can explore a vast collection of resources across different disciplines, all free of charge. This accessibility empowers individuals to become lifelong learners, contributing to personal growth, professional development, and the advancement of society as a whole. So why not unlock a world of knowledge today? Start exploring the vast sea of free PDF books and manuals waiting to be discovered right at your fingertips.

### **FAQs About Advanced Vibration Analysis Mechanical Engineering Books**

How do I know which eBook platform is the best for me? Finding the best eBook platform depends on your reading preferences and device compatibility. Research different platforms, read user reviews, and explore their features before making a choice. Are free eBooks of good quality? Yes, many reputable platforms offer high-quality free eBooks, including classics and public domain works. However, make sure to verify the source to ensure the eBook credibility. Can I read eBooks without an eReader? Absolutely! Most eBook platforms offer web-based readers or mobile apps that allow you to read eBooks on your computer, tablet, or smartphone. How do I avoid digital eye strain while reading eBooks? To prevent digital eye strain, take regular breaks, adjust the font size and background color, and ensure proper lighting while reading eBooks. What the advantage of interactive eBooks? Interactive eBooks incorporate multimedia elements, quizzes, and activities, enhancing the reader engagement and providing a more immersive learning experience. Advanced Vibration Analysis Mechanical Engineering is one of the best book in our library for free trial. We provide copy of Advanced Vibration Analysis Mechanical Engineering in digital format, so the resources that you find are reliable. There are also many Ebooks of related with Advanced Vibration Analysis Mechanical Engineering. Where to download Advanced Vibration Analysis Mechanical Engineering online for free? Are you looking for Advanced Vibration Analysis Mechanical Engineering PDF? This is definitely going to save you time and cash in something you should think about.

### **Find Advanced Vibration Analysis Mechanical Engineering :**

*alpine 3516 amplifier manual*  
*allez viens french 2 study guide*  
**allstar challenger gl manual**

[allersanft gedichte doris hafellner](#)  
[alles uit behalve de radio gesprekken met rosse alie](#)  
[als sternenstaub vom himmel fiel](#)  
[alligent veronica roth](#)  
[altered genes twisted truth systematically](#)  
[allis chalmers 500 series forklift manuals](#)  
[allianz power bank manual](#)  
**altec lansing bxr1221 review**  
[alltag tet geschichten liebe german ebook](#)  
**alspa manual**  
**allerliebste baby spielzeug stricken val pierce**  
[allis chalmers 160 manual](#)

### **Advanced Vibration Analysis Mechanical Engineering :**

**malleus maleficarum el martillo de las brujas semantic scholar** - Oct 05 2022

web la ilustracion y el iluminismo del siglo de las luces fueron un verdadero icono de las ideas libertarias pero mucho antes el hombre desde que ha querido librarse de opresiones ha respondido al sometimiento rechazando el yugo

*malleus maleficarum el martillo de las brujas fder* - Feb 09 2023

web oct 14 2016 la ilustración y el iluminismo del siglo de las luces fueron un verdadero icono de las ideas libertarias pero mucho antes el hombre desde que ha querido librarse de opresiones ha respondido al sometimiento rechazando el yugo

[el malleus maleficarum destino y tarot](#) - Feb 26 2022

web el malleus maleficarum que en del latín se traduce martillo de las brujas es el tratado más importante sobre brujas y demonios el cual se publicó en plena época de persecución de brujas en el renacimiento siglos xv y xvi es considerado un tratado de ciencias ocultas y utilizado con mucho rigor en la caza de brujas en aquella época el malleus

[el martillo de las brujas completo m e t academia edu](#) - Aug 15 2023

web el más famoso de todas los libros sobre brujería malleus maleficarum el martillo de los brujas fue escrito en 1486 por dos monjes dominicos inquisidores a los que el papa inocencio viii concedió la bula summis desiderantes affectibus a través de

*malleus maleficarum el martillo de las brujas pensamiento penal* - Jun 01 2022

web malleus maleficarum el martillo de las brujas por heinrich kramer por jacobus sprenger malleus descargar archivo



comentar Último momento twitter tweets by pensapenal la revista pensamiento penal es una publicación online periódica de la asociación pensamiento penal issn 1853 4554

**malleus maleficarum el martillo de los brujos librerías gandhi** - Sep 04 2022

web inquisidores de pura cepa al nivel del mismísimo torquemada estos dos monjes dominicos legaron para la posteridad el reflejo de una larga época oscura que dejó un tendal de miedo y sangre de dolor e injusticia tanto en europa como en los territorios pendientes y dependientes de ella

heinrich kramer jacobus sprenger malleus maleficarum - Aug 03 2022

web malleus maleficarum el martillo de los brujos traducción floreal maza 2 3 prologo el más famoso de todas los libros sobre brujería malleus maleficarum el martillo de los brujos fue escrito en 1486 por dos monjes dominicos

**malleus maleficarum el martillo de los brujos spa download only** - Apr 11 2023

web malleus maleficarum el martillo de los brujos spa book 4 mar 31 2021 2011 reprint of 1913 edition illustrated edition aleister crowley 1875 1947 born edward alexander crowley and also known as both frater perdurabo and the great beast was an influential english occultist mystic and ceremonial magician responsible for founding the

*malleus maleficarum el martillo de los brujos goodreads* - Mar 10 2023

web malleus maleficarum el martillo de los brujos heinrich kramer jacobs sprenger osvaldo tangir estudio preliminar 3 20 2 350 ratings 319 reviews el más famoso de todos los libros sobre brujería fue escrito en 1486 por dos monjes dominicos

*malleus maleficarum la biblia de los cazadores de brujas* - Jul 14 2023

web jul 31 2023 manual para cazar brujas en realidad el malleus maleficarum contenía una gran cantidad de material reciclado de libros de demonología tratados inquisitoriales e incluso supersticiones orales como la capacidad de las brujas para volar siendo esta una de las razones principales por las que muchos teólogos lo criticaron por ser poco

*el martillo de los brujos malleus maleficarum sobre leyendas* - Jan 28 2022

web oct 5 2008 javier gomez pocos libros pueden ser considerados más infames dañinos y mezquinos que éste del que hoy os hablamos el malleus maleficarum el conocido como el martillo de los brujos su lectura produce en primer lugar

incredulidad luego espanto indignación y pena

**malleus maleficarum wikipedi** - Dec 07 2022

web malleus maleficarum ing hexenhammer ya da hammer of witches türkçedeki ismiyle cadı Çekici 1486 yılında dominikan tarikati rahibi heinrich kramer institoris tarafından yazılmış demonoloji literatürünün en ünlü kitabı 1519 tarihli nürnberg baskısında kitabın yazarları heinrich kramer ve jacob sprenger olarak verilmesine rağmen yapılan son

*malleus maleficarum el martillo de los brujos spa pdf* - Jul 02 2022

web malleus maleficarum el martillo de los brujos spa cloacas de la historia las fifteenth century studies vol 32 malleus

malleus maleficarum o el martillo de los brujos exorcismos no exorcismo si martillo de las brujas para golpear a las brujas con poderosa maza mitología

**pdf malleus maleficarum el martillo de los brujos spa** - Dec 27 2021

web malleus maleficarum o el martillo de los brujos aug 04 2022 martillo de las brujas para golpear a las brujas con poderosa maza mar 11 2023 feneis nomenclatura anatómica ilustrada feb 27 2022 memoria mar 19 2021 terapia acupuntural con el martillo de siete puntas jun 02 2022 se describe la terapia con el

malleus maleficarum türk teşvik dergisi - Nov 06 2022

web engizisyonun incili ve avrupa da dini yozlaşmışlığın rehberi malleus maleficarum namıdiğer fenalık edenler Çekici cadılar Çekici veya Şeytan Çekici heinrich kramer ve james sprenger adlı iki rahip tarafından yazılan bu korkunç eser uzun yıllar neredeyse 300 yıl avrupa da kelimenin tam anlamıyla terör estirmiş ve

*malleus maleficarum el martillo de las brujas youtube* - Mar 30 2022

web el malleus maleficarum o martillo de las brujas es probablemente el libro más importante que se haya publicado en el contexto de la caza de brujas en santa i

**malleus maleficarum wikipedia la enciclopedia libre** - May 12 2023

web el malleus maleficarum del latín martillo de las brujas es probablemente el tratado más importante que se haya publicado en el contexto de la persecución de brujas en el renacimiento cita requerida fue escrito y compilado por dos monjes dominicos alemanes heinrich kramer y jacob sprenger

*malleus maleficarum el martillo de los brujos más literatura* - Apr 30 2022

web malleus maleficarum el libro contra la brujería más literatura brujería hechicería

**malleus maleficarum el martillo de los brujos google books** - Jun 13 2023

web sep 6 2020 malleus maleficarum el martillo de los brujos malleus maleficarum heinrich kramer jacobus sprenger editorial verbum sep 6 2020 literary collections 132 pages

malleus maleficarum martillo de las brujas academia edu - Jan 08 2023

web el presente trabajo versa acerca de la magnífica novela de luis de castresana retrato de una bruja editada en 1970 pero que centra su atención en un caso de brujería del siglo xvii poco después del auto de fe de logroño de 1610

**download the philosophy book dorling kindersley dorling** - Sep 04 2022

web download the philosophy book dorling kindersley dorling pdf decoding download the philosophy book dorling kindersley dorling pdf revealing the captivating

*the philosophy book dorling kindersley resources and* - Mar 30 2022

web sep 26 2011 das philosophie buch großen ideen und ihre denker von dorling kindersley gebundene ausgabe bei

medimops de bestellen gebraucht günstig kaufen

**the business book by dorling kindersley pdf free pdf books** - Oct 05 2022

web download the philosophy book dorling kindersley dorling a history of philosophy introduction to philosophy the

economics book derek parfit s reasons and persons

**the dorling kindersley big book of knowledge free** - Apr 11 2023

web list of publications of dorling kindersley this is a list of the books published by dorling kindersley 1 part of penguin

random house this list is incomplete

**the dorling kindersley science encyclopedia free download** - Oct 25 2021

*the philosophy book by kindersley dorling dymocks* - Nov 06 2022

web we allow you this proper as with ease as easy pretentiousness to acquire those all we manage to pay for download the

philosophy book dorling kindersley dorling and

*children s book of philosophy dk uk* - Dec 07 2022

web the dorling kindersley visual encyclopedia dk ebook pdf free ebook download as pdf file pdf text file txt or read book

online for free

**the dorling kindersley visual encyclopedia dk ebook pdf** - Aug 03 2022

web the philosophy book untangles knotty theories and sheds light on abstract concepts and is perfect for anyone with a

general interest in how our social political and ethical ideas

the psychology book hardcover 1 september 2020 amazon in - Dec 27 2021

**the philosophy book dorling kindersley amazon com au** - Jan 28 2022

web jun 16 2023 philosophy book dorling kindersley dorling by online you might not require more get older to spend to go

to the book commencement as competently as

**download the philosophy book dorling kindersley dorling pdf** - Feb 26 2022

web english 448 pages 29 cm an illustrated guide to all the major branches of science includes index how to use this book

time charts how scientists work safety code

the philosophy book by dk waterstones - Mar 10 2023

web jul 27 2021 internet archive language english 351 pages 26 cm a collection of myths from many cultures dorling

kindersley myths and fairy tales collection myths fairy

download the philosophy book dorling kindersley dorling pdf - Apr 30 2022

web amazon in buy the psychology book book online at best prices in india on amazon in read the psychology book book reviews author details and more at amazon in free

*the philosophy book dk uk* - May 12 2023

web feb 1 2011 about the philosophy book get to grips with the concepts that shaped the way we think about ethics politics and our place in the universe explaining the big

list of publications of dorling kindersley wikipedia - Feb 09 2023

web mar 20 2022 download the business book by dorling kindersley pdf book free online from the business book by dorling kindersley pdf book packed with innovative

das philosophie buch großen ideen und ihre denker medimops - Nov 25 2021

**the philosophy book anna s archive** - Jul 14 2023

web the philosophy book dorling kindersley 1st american ed 2011 the ancient world the medieval world renaissance and the age of reason the age of revolution the

**dorling kindersley myths fairy tales collection** - Jan 08 2023

web philosophy book dorling kindersley dorling download sat 21 apr 2018 14 28 00 gmt the philosophy pdf general and introductory texts history of muslim the

download the philosophy book dorling kindersley dorling copy - Jul 02 2022

web may 21 2023 download and install download the philosophy book dorling kindersley dorling appropriately simple the sports book dk 2013 10 17 the ultimate armchair

*simply philosophy dorling kindersley limited download on z* - Jun 13 2023

web organised by major philosophical themes each pared back single page entry demystifies the groundbreaking theories of famous philosophers the essential ideas of the major

**download the philosophy book dorling kindersley dorling pdf** - Sep 23 2021

**download the philosophy book dorling kindersley dorling ftp** - Jun 01 2022

web the philosophy book dorling kindersley on amazon com au free shipping on eligible orders the philosophy book

**download top 860 dorling kindersley books pdf pdfdrive** - Aug 15 2023

web armstrong v 261 pages 2016 6 42 mb 46 downloads dorling kindersley ultimate visual dictionary of science 456 pages 2012 92 03 mb 143 downloads the

**les carnets de voyage au maroc de delacroix google arts** - Mar 27 2023

web le 10 janvier 1832 le peintre eugène delacroix embarque pour un voyage de six mois qui bouleversera à jamais sa vie et sa peinture il accompagne le comte charles de mornay jeune

[delacroix un voyage initiatique maroc andalousie algérie](#) - Nov 22 2022

web nov 20 2006 un voyage initiatique présente pour la première fois l'ensemble des volets du périple effectué en 1832 par eugène delacroix avec la mission française conduite par le comte charles de mornay venu négocier au maroc des problèmes de frontières avec moulay abd er rahman

*eugène delacroix un voyage initiatique maroc andalousie* - Jul 19 2022

web un voyage initiatique présente pour la première fois l'ensemble des volets du périple effectué en 1832 par eugène delacroix avec la mission française conduite par le comte charles de mornay venu négocier au maroc des problèmes de frontières avec moulay abd er rahman

*voyage en afrique du nord d eugène delacroix wikipedia* - Jun 29 2023

web voyage en afrique du nord d eugène delacroix eugène delacroix femme marocaine 1832 eugène delacroix Étude d arabe assis le voyage de sept mois effectué entre janvier et juin 1832 au maghreb et en andalousie 1 est un événement majeur de la vie du peintre eugène delacroix

**delacroix un voyage initiatique maroc andalousie download** - Mar 15 2022

web delacroix un voyage initiatique maroc andalousie downloaded from old vulkk com by guest armstrong hood noa noa eddif une chronologie de l'histoire de l'art signée bescherelle un ouvrage complet fiable et attractif qui s'adresse à tous les curieux d'histoire de l'art un panorama vivant de l'histoire de l'art l'ouvrage

*delacroix au maroc un voyage de rêve beaux arts* - Apr 27 2023

web jul 20 2021 i scène intime à tanger une femme en costume de mariée est assise pensive une servante maure à terre lui tient compagnie le regard tourné vers elle avec un pinceau je ferai sentir à tout le monde ce que j'ai vu rapporte eugène delacroix dans son journal 1822 1863

[eugène delacroix au maroc le voyage de toute une vie](#) - Oct 02 2023

web jul 11 2021 le célèbre peintre français a entrepris en 1832 un voyage initiatique de six mois au maroc retracé par une exposition hommage à rabat la capitale du royaume

*eugène delacroix 1798 1863 le voyage au maroc* - Dec 24 2022

web ce qui peut apparaître comme un retour à l'ordre se concrétisa assez paradoxalement dans le voyage que delacroix fit au maroc au cours des six premiers mois de 1832 il y accompagnait un diplomate le comte de mornay venu négocier avec le sultan des arrangements rendus nécessaires par

[delacroix un voyage initiatique maroc andalousie algérie](#) - Oct 22 2022

web un voyage initiatique présente pour la première fois l ensemble des volets du périple effectué en 1832 par eugène delacroix avec la mission française conduite par le comte charles de mornay venu négocier au maroc des problèmes de frontières avec moulay abd er

**eugène delacroix un voyage initiatique maroc andalousie** - Aug 20 2022

web dec 30 1999 un voyage initiatique présente pour la première fois l ensemble des volets du périple effectué en 1832 par eugène delacroix avec la mission française conduite par le comte charles de mornay venu négocier au maroc des [delacroix un voyage initiatique maroc andalousie pdf 2013](#) - Jun 17 2022

web 2 delacroix un voyage initiatique maroc andalousie 2022 05 31 constantes de la représentation picturale matière et lumière à celles de la musique voix et percussion il verra pointer les figures mythiques circé ulyse ou les marques arabes derrière les récits contemporains s étonnera de certains échos il

*delacroix un voyage initiatique maroc andalousie algérie* - Sep 01 2023

web eddif 2006 algeria 319 pages un voyage initiatique présente pour la première fois l ensemble des volets du périple effectué en 1832 par eugène delacroix avec la mission

**delacroix un voyage initiatique maroc andalousie algarie copy** - Feb 11 2022

web delacroix un voyage initiatique maroc andalousie algarie delacroix un voyage initiatique maroc andalousie algarie book review unveiling the power of words in some sort of driven by information and connectivity the power of words has are more evident than ever they have the capacity to inspire provoke and ignite change

*delacroix un voyage initiatique maroc andalousie algérie* - May 29 2023

web un voyage initiatique présente pour la première fois l ensemble des volets du périple effectué en 1832 par eugène delacroix avec la mission française conduite par le comte charles de mornay venu négocier au maroc des problèmes de frontières avec moulay abd er

[delacroix un voyage initiatique maroc andalousie](#) - May 17 2022

web delacroix un voyage initiatique maroc andalousie le retour aux indes jan 27 2021 les anciens appelaient indes toute terre lointaine et inconnue sur l île de chios en mer Égée vasco laisse sa fille à ses amours elle reste il part j irai vers toutes mes indes je mettrai mon pas dans ceux de ma jeunesse

**delacroix un voyage initiatique maroc andalousie algérie** - Feb 23 2023

web physical description 319 pages illustrations chiefly color 33 cm isbn 9782352700128 2352700124

**eugène delacroix un voyage initiatique maroc andalousie** - Sep 20 2022

web un voyage initiatique présente pour la première fois l ensemble des volets du périple effectué en 1832 par eugène delacroix avec la mission française conduite par le comte charles de mornay venu négocier au maroc des problèmes de

frontières avec moulay abd er rahman

*delacroix un voyage initiatique maroc andalousie* - Jan 25 2023

web delacroix un voyage initiatique maroc andalousie le voyage initiatique mar 21 2023 porteur de rencontres et de découvertes tout voyage est initiatique il révèle des dimensions nouvelles insoupçonnées parfois inespérées qu'elles se lisent dans les méandres de la géographie ou sur le

**eugène delacroix exposé au maroc le rêve de l'orient** - Jul 31 2023

web jul 13 2021 le célèbre peintre français a entrepris en 1832 un voyage initiatique de six mois au maroc retracé par une exposition hommage à rabat la capitale du royaume À lire aussi un pastel

**delacroix un voyage initiatique maroc andalousie** - Apr 15 2022

web delacroix un voyage initiatique maurice arama 2006 un voyage initiatique présente pour la première fois l'ensemble des volets du périple effectué en 1832 par eugène delacroix avec la mission française conduite par le comte charles de mornay venu négocier au maroc des problèmes de frontières avec moulay abd er rahman le