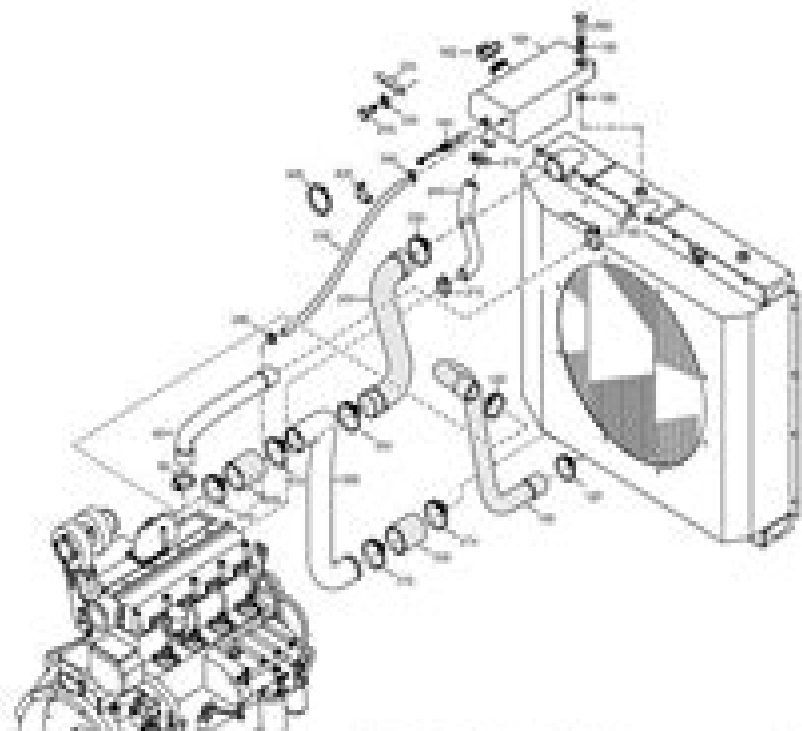


STANDARD

FRONT LOADING



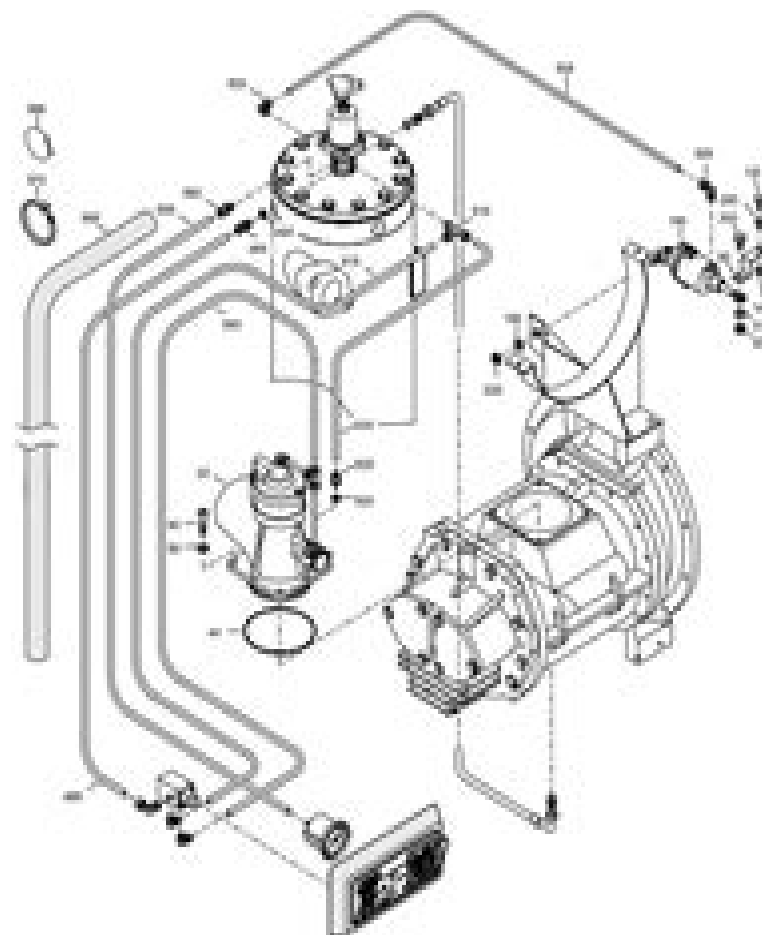
REF.	REF. NUMBER	DESCRIPTION	QTY.	REF.	REF. NUMBER	DESCRIPTION	QTY.
01	100 0110 01	BOX	1	30	107 010 01	WIRE CLAMP	1
02	107 010 01	WIRE CLAMP	1	31	101 000 01	BRACKET	1
03	100 0114 01	WIRE	1	32	100 100 01	CABLE TIE	1
04	107 010 01	WIRE CLAMP	1				
05	100 0100 01	TOPWALL	1				
06	101 0010 01	Adjustable Pad	1				
07	100 0100 01	LEVEL VEHICLE	1				
08	100 1000 01	FLAT WASHER	1				
09	100 0100 01	WATER INLET	1				
10	100 0100 01	BOX	1				
11	107 010 01	WIRE CLAMP	1				
12	107 010 01	WIRE CLAMP	1				
13	107 100 01	WIRE BRACKET	1				
14	100 1000 01	LOCK WASHER	1				
15	100 000 01	BRACKET	1				
16	075 000 01	PUMP MOTOR	1				
17	107 010 01	WIRE CLAMP	1				
18	100 0110 01	WIRE	1				
19	100 010 01	WIRE	1				
20	107 010 01	WIRE CLAMP	1				
21	100 010 01	WIRE	1				
22	107 010 01	WIRE CLAMP	1				
23	100 010 01	WIRE INTERCOOLER	1				

REF. 100 100 01

10

STANDARD

INSULATED SYSTEM



10

REF. 100 100 01

Atlas Copco Kt52ev60 Manual

Torgny Rogert, S. Bertil Andersson

Atlas Copco Kt52ev60 Manual:

Atlas Copco Manual ,1978
t. editor Rogert,1975

Atlas Copco manual Torgny Rogert,S. Bertil Andersson,1975

Atlas Copco Manual

This Captivating Realm of Kindle Books: A Comprehensive Guide Revealing the Advantages of Kindle Books: A World of Ease and Flexibility Kindle books, with their inherent portability and simplicity of availability, have freed readers from the limitations of physical books. Gone are the days of carrying cumbersome novels or meticulously searching for particular titles in bookstores. Kindle devices, stylish and lightweight, seamlessly store an wide library of books, allowing readers to immerse in their favorite reads anytime, anywhere. Whether commuting on a busy train, lounging on a sunny beach, or just cozying up in bed, Kindle books provide an unparalleled level of convenience. A Literary Universe Unfolded: Discovering the Vast Array of E-book Atlas Copco Kt52ev60 Manual Atlas Copco Kt52ev60 Manual The E-book Store, a digital treasure trove of bookish gems, boasts an wide collection of books spanning varied genres, catering to every readers taste and preference. From gripping fiction and thought-provoking non-fiction to classic classics and modern bestsellers, the Kindle Store offers an unparalleled abundance of titles to explore. Whether looking for escape through immersive tales of fantasy and adventure, diving into the depths of past narratives, or broadening ones knowledge with insightful works of scientific and philosophy, the E-book Store provides a doorway to a bookish world brimming with limitless possibilities. A Revolutionary Factor in the Bookish Landscape: The Persistent Influence of Kindle Books Atlas Copco Kt52ev60 Manual The advent of Kindle books has unquestionably reshaped the literary landscape, introducing a model shift in the way books are published, disseminated, and consumed. Traditional publishing houses have embraced the online revolution, adapting their strategies to accommodate the growing need for e-books. This has led to a surge in the availability of E-book titles, ensuring that readers have entry to a vast array of literary works at their fingertips. Moreover, Kindle books have equalized access to books, breaking down geographical barriers and offering readers worldwide with equal opportunities to engage with the written word. Regardless of their place or socioeconomic background, individuals can now immerse themselves in the captivating world of literature, fostering a global community of readers. Conclusion: Embracing the E-book Experience Atlas Copco Kt52ev60 Manual Kindle books Atlas Copco Kt52ev60 Manual, with their inherent convenience, versatility, and vast array of titles, have undoubtedly transformed the way we experience literature. They offer readers the freedom to discover the boundless realm of written expression, whenever, everywhere. As we continue to navigate the ever-evolving digital landscape, Kindle books stand as testament to the lasting power of storytelling, ensuring that the joy of reading remains reachable to all.

<https://stats.tinkerine.com/results/book-search/HomePages/A%20Plague%20Of%20Unicorns.pdf>

Table of Contents Atlas Copco Kt52ev60 Manual

1. Understanding the eBook Atlas Copco Kt52ev60 Manual
 - The Rise of Digital Reading Atlas Copco Kt52ev60 Manual
 - Advantages of eBooks Over Traditional Books
2. Identifying Atlas Copco Kt52ev60 Manual
 - Exploring Different Genres
 - Considering Fiction vs. Non-Fiction
 - Determining Your Reading Goals
3. Choosing the Right eBook Platform
 - Popular eBook Platforms
 - Features to Look for in an Atlas Copco Kt52ev60 Manual
 - User-Friendly Interface
4. Exploring eBook Recommendations from Atlas Copco Kt52ev60 Manual
 - Personalized Recommendations
 - Atlas Copco Kt52ev60 Manual User Reviews and Ratings
 - Atlas Copco Kt52ev60 Manual and Bestseller Lists
5. Accessing Atlas Copco Kt52ev60 Manual Free and Paid eBooks
 - Atlas Copco Kt52ev60 Manual Public Domain eBooks
 - Atlas Copco Kt52ev60 Manual eBook Subscription Services
 - Atlas Copco Kt52ev60 Manual Budget-Friendly Options
6. Navigating Atlas Copco Kt52ev60 Manual eBook Formats
 - ePub, PDF, MOBI, and More
 - Atlas Copco Kt52ev60 Manual Compatibility with Devices
 - Atlas Copco Kt52ev60 Manual Enhanced eBook Features
7. Enhancing Your Reading Experience
 - Adjustable Fonts and Text Sizes of Atlas Copco Kt52ev60 Manual
 - Highlighting and Note-Taking Atlas Copco Kt52ev60 Manual
 - Interactive Elements Atlas Copco Kt52ev60 Manual
8. Staying Engaged with Atlas Copco Kt52ev60 Manual

- Joining Online Reading Communities
 - Participating in Virtual Book Clubs
 - Following Authors and Publishers Atlas Copco Kt52ev60 Manual
9. Balancing eBooks and Physical Books Atlas Copco Kt52ev60 Manual
- Benefits of a Digital Library
 - Creating a Diverse Reading Collection Atlas Copco Kt52ev60 Manual
10. Overcoming Reading Challenges
- Dealing with Digital Eye Strain
 - Minimizing Distractions
 - Managing Screen Time
11. Cultivating a Reading Routine Atlas Copco Kt52ev60 Manual
- Setting Reading Goals Atlas Copco Kt52ev60 Manual
 - Carving Out Dedicated Reading Time
12. Sourcing Reliable Information of Atlas Copco Kt52ev60 Manual
- Fact-Checking eBook Content of Atlas Copco Kt52ev60 Manual
 - Distinguishing Credible Sources
13. Promoting Lifelong Learning
- Utilizing eBooks for Skill Development
 - Exploring Educational eBooks
14. Embracing eBook Trends
- Integration of Multimedia Elements
 - Interactive and Gamified eBooks

Atlas Copco Kt52ev60 Manual Introduction

Atlas Copco Kt52ev60 Manual Offers over 60,000 free eBooks, including many classics that are in the public domain. Open Library: Provides access to over 1 million free eBooks, including classic literature and contemporary works. Atlas Copco Kt52ev60 Manual Offers a vast collection of books, some of which are available for free as PDF downloads, particularly older books in the public domain. Atlas Copco Kt52ev60 Manual : This website hosts a vast collection of scientific articles, books, and textbooks. While it operates in a legal gray area due to copyright issues, its a popular resource for finding various publications. Internet Archive for Atlas Copco Kt52ev60 Manual : Has an extensive collection of digital content, including

books, articles, videos, and more. It has a massive library of free downloadable books. Free-eBooks Atlas Copco Kt52ev60 Manual Offers a diverse range of free eBooks across various genres. Atlas Copco Kt52ev60 Manual Focuses mainly on educational books, textbooks, and business books. It offers free PDF downloads for educational purposes. Atlas Copco Kt52ev60 Manual Provides a large selection of free eBooks in different genres, which are available for download in various formats, including PDF. Finding specific Atlas Copco Kt52ev60 Manual, especially related to Atlas Copco Kt52ev60 Manual, might be challenging as theyre often artistic creations rather than practical blueprints. However, you can explore the following steps to search for or create your own Online Searches: Look for websites, forums, or blogs dedicated to Atlas Copco Kt52ev60 Manual, Sometimes enthusiasts share their designs or concepts in PDF format. Books and Magazines Some Atlas Copco Kt52ev60 Manual books or magazines might include. Look for these in online stores or libraries. Remember that while Atlas Copco Kt52ev60 Manual, sharing copyrighted material without permission is not legal. Always ensure youre either creating your own or obtaining them from legitimate sources that allow sharing and downloading. Library Check if your local library offers eBook lending services. Many libraries have digital catalogs where you can borrow Atlas Copco Kt52ev60 Manual eBooks for free, including popular titles. Online Retailers: Websites like Amazon, Google Books, or Apple Books often sell eBooks. Sometimes, authors or publishers offer promotions or free periods for certain books. Authors Website Occasionally, authors provide excerpts or short stories for free on their websites. While this might not be the Atlas Copco Kt52ev60 Manual full book , it can give you a taste of the authors writing style. Subscription Services Platforms like Kindle Unlimited or Scribd offer subscription-based access to a wide range of Atlas Copco Kt52ev60 Manual eBooks, including some popular titles.

FAQs About Atlas Copco Kt52ev60 Manual Books

1. Where can I buy Atlas Copco Kt52ev60 Manual books? Bookstores: Physical bookstores like Barnes & Noble, Waterstones, and independent local stores. Online Retailers: Amazon, Book Depository, and various online bookstores offer a wide range of books in physical and digital formats.
2. What are the different book formats available? Hardcover: Sturdy and durable, usually more expensive. Paperback: Cheaper, lighter, and more portable than hardcovers. E-books: Digital books available for e-readers like Kindle or software like Apple Books, Kindle, and Google Play Books.
3. How do I choose a Atlas Copco Kt52ev60 Manual book to read? Genres: Consider the genre you enjoy (fiction, non-fiction, mystery, sci-fi, etc.). Recommendations: Ask friends, join book clubs, or explore online reviews and

- recommendations. Author: If you like a particular author, you might enjoy more of their work.
4. How do I take care of Atlas Copco Kt52ev60 Manual books? Storage: Keep them away from direct sunlight and in a dry environment. Handling: Avoid folding pages, use bookmarks, and handle them with clean hands. Cleaning: Gently dust the covers and pages occasionally.
 5. Can I borrow books without buying them? Public Libraries: Local libraries offer a wide range of books for borrowing. Book Swaps: Community book exchanges or online platforms where people exchange books.
 6. How can I track my reading progress or manage my book collection? Book Tracking Apps: Goodreads, LibraryThing, and Book Catalogue are popular apps for tracking your reading progress and managing book collections. Spreadsheets: You can create your own spreadsheet to track books read, ratings, and other details.
 7. What are Atlas Copco Kt52ev60 Manual audiobooks, and where can I find them? Audiobooks: Audio recordings of books, perfect for listening while commuting or multitasking. Platforms: Audible, LibriVox, and Google Play Books offer a wide selection of audiobooks.
 8. How do I support authors or the book industry? Buy Books: Purchase books from authors or independent bookstores. Reviews: Leave reviews on platforms like Goodreads or Amazon. Promotion: Share your favorite books on social media or recommend them to friends.
 9. Are there book clubs or reading communities I can join? Local Clubs: Check for local book clubs in libraries or community centers. Online Communities: Platforms like Goodreads have virtual book clubs and discussion groups.
 10. Can I read Atlas Copco Kt52ev60 Manual books for free? Public Domain Books: Many classic books are available for free as they're in the public domain. Free E-books: Some websites offer free e-books legally, like Project Gutenberg or Open Library.

Find Atlas Copco Kt52ev60 Manual :

~~a plague of unicorns~~

a no sneeze pet pet friends forever

a pumpkin for thanksgiving

a moveable feast the restored edition by hemingway ernest scribner2009 hardcover

~~a new companion to the gothic~~

a philosophy of interior design icon editions

~~a rainforest habitat paperback introducing habitats~~

a question of courage

a night without armor ii the revenge poems paperback 1998

a place of healing working with suffering in living and dying

a rift in the clouds race and the southern federal judiciary 1900 1910

a practical approach to conveyancing

a natural history of human morality

~~a mothers bouquet rosary meditations for moms~~

~~a poetry of remembrance new and rejected works mary burritt christiansen poetry~~

Atlas Copco Kt52ev60 Manual :

a concise introduction to logic hurley 7th ed pdf - Feb 11 2022

web may 1 2014 a concise introduction to logic hurley 7th ed pdf 0 by zuj admin version version download 37339 stock

hurley a concise introduction to logic 7th ed abyssinia law - Dec 24 2022

web dec 2 2020 hurley a concise introduction to logic 7th ed published on 2 december 2020 3351 downloads file name hurley a concise introduction to logic 7th ed pdf file size 4 46 mb download 3351 times created date 12 02 2020 download liku worku legal service a complete and easy access to ethiopian legal

logichurleyanswerkeyseventhedition git livsense - Mar 15 2022

web logic and discrete mathematics socratic logic pediatric nutrition in practice the big questions a short introduction to philosophy a concise introduction to logic investment decisions and the logic of valuation the philosopher s toolkit basic well log analysis traditional logic 1 loneliness as a way of life critical thinking c programming

patrick hurley a concise introduction to logic exercise answers - Sep 01 2023

web patrick hurley a concise introduction to logic exercise answers exercise 1 exercise answers studocu a concise introduction towards logic on the subject logic and critical thinking acclaimed in all six prior editions for being clear concise and comprehensive skip to document

read book logic hurley answer key seventh edition pdf for - Jun 29 2023

web sep 12 2023 merely said the logic hurley answer key seventh edition is universally compatible gone any devices to read as recognized adventure as competently as experience approximately lesson amusement as skillfully as union can be gotten by just checking out a book logic hurley answer key seventh

read online logic hurley answer key seventh edition pdf free - Mar 27 2023

web sep 12 2023 logic hurley answer key seventh edition is manageable in our digital library an online entry to it is set as

public in view of that you can download it instantly our digital library saves in fused countries allowing you to get the most less latency time to download any of our books

logic hurley answer key seventh edition copy - Apr 27 2023

web right here we have countless book logic hurley answer key seventh edition and collections to check out we additionally present variant types and as a consequence type of the books to browse the enjoyable book fiction history novel scientific research as well as various extra sorts of books are readily straightforward here as this

logic hurley answer key seventh edition pdf schems edu - Aug 20 2022

web dec 20 2022 logic hurley answer key seventh edition 1 1 downloaded from schems edu np on december 20 2022 by guest logic hurley answer key seventh edition anticipated acquisition by microsoft corporation of activision webpage 3 of 76 several recent entrants into the gaming industry using

solutions for a concise introduction to logic 13th numerade - May 29 2023

web science and superstition 5 sections 27 questions step by step video answers explanations by expert educators for all a concise introduction to logic 13th by patrick j hurley only on numerade com

logic hurley answer key seventh edition download only - Oct 22 2022

web logic hurley answer key seventh edition 3 3 western philosophy helping readers avoid and detect false assumptions and faulty reasoning you ll love this book or you ll hate it so you re either with us or against us and if you re against us then you hate books no true intellectual would hate this

logic hurley answer key seventh edition staff txmq - May 17 2022

web logic hurley answer key seventh edition downloaded from staff txmq com by guest brock clark the miracle of st anthony wadsworth publishing company children are already learning at birth and they develop and learn at a rapid pace in their early years this provides a critical foundation for lifelong progress and the adults who provide for the

patrick hurley logic answer key coe fsu edu - Jan 25 2023

web patrick hurley logic answer key 1 3 downloaded from coe fsu edu on november 1 2023 by guest mobi patrick hurley logic answer key when somebody should go to the ebook stores search inauguration by shop shelf by shelf it is in reality problematic this is why we provide the books compilations in this website it will extremely ease you to see

a concise introduction to logic seventh edition hurley patrick - Oct 02 2023

web a concise introduction to logic seventh edition by hurley patrick j 1942 publication date 2000 topics logic logique logica publisher belmont ca wadsworth pub

a concise introduction to logic 7th edition hurley patrick j - Nov 22 2022

web jan 1 2000 hurley s lucid friendly yet thorough presentation has made a concise introduction to logic the most widely

used logic text in north america in addition the book s accompanying technological resources such as cengage now and learning logic include interactive exercises as well as video and audio clips to reinforce what

logic hurley answer key seventh edition - Sep 20 2022

web it is your enormously own become old to take effect reviewing habit among guides you could enjoy now is logic hurley answer key seventh edition below scientific and technical books in print 1972 a concise introduction to logic patrick hurley 2008 12 23 tens of thousands of students have learned to be more discerning at

logic hurley answer key seventh edition pdf agmasters - Apr 15 2022

web logic hurley answer key seventh edition downloaded from agmasters net by guest aniyah rojas los angeles magazine john wiley sons the first part of the book covers the theories of the emotions of plato and aristotle and later ancient views from stoicism to neoplatonism ch 1 and their reception and transformation by

logic hurley answer key seventh edition dominik meier - Jun 17 2022

web info acquire the logic hurley answer key seventh edition colleague that we have enough money here and check out the link you could purchase guide logic hurley answer key seventh edition or get it as soon as feasible you could quickly download this logic hurley answer key seventh edition after getting deal

logic hurley answer key seventh edition 2023 - Jul 19 2022

web logic hurley answer key seventh edition a concise introduction to logic 13th edition cengage feb 07 2022 web isbn 13 9780357419397 mindtapv2 0 for hurley watson s a concise introduction to logic thirteenth edition is a platform that propels students from memorization to mastery it gives you complete control of

logic hurley answer key seventh edition pop ablogtwatch - Jul 31 2023

web logic hurley answer key seventh edition 1 logic hurley answer key seventh edition 7 1 rules of implication i eidgah book back exercises class 7 unit 1 prose 7th english unit 1 prose eidgah book back exercises 5 2 venn diagrams 8 2 predicate logic using the rules of inference 7 th

logic hurley answer key seventh edition pdf - Feb 23 2023

web logic hurley answer key seventh edition introduction to logic logic the essentials introduction to logic the mirror empire ethics and technology the power of critical thinking giving reasons scientific and technical books in print information is beautiful logic and discrete mathematics the geek feminist revolution bndl logic the

jungle soldier the true story of freddy spencer chapman - Nov 25 2021

web jan 1 2009 jungle soldier hardcover january 1 2009 brought up in a rural vicarage surrounded by fells falcons and ferrets freddy spencer chapman acquired a deep

jungle soldier the true story of freddy spencer chapman - Jan 28 2022

web may 27 2010 amazon in buy jungle soldier the true story of freddy spencer chapman book online at best prices in india on amazon in read jungle soldier the

freddie spencer chapman wikipedia - Jun 13 2023

web arctic explorer survival expert and naturalist freddy spencer chapman was trapped behind enemy lines when the japanese overran malaya in 1942 his response was to

jungle soldier the true story of freddy spencer chapman - Jul 14 2023

thompson peter the battle for singapore london 2005 isbn 0 7499 5068 4 hb the tibet album british photography in central tibet 1920 50 frederick spencer chapman the red dragons magazines of king alfred school plön 1948 1953

jungle soldier the true story of freddy spencer chapman - Dec 07 2022

web may 16 2013 arctic explorer survival expert and naturalist freddy spencer chapman was trapped behind enemy lines when the japanese overran malaya in 1942 his response

jungle soldier the true story of freddy spencer - Aug 15 2023

web brought up in a rural vicarage freddy spencer chapman acquired a deep love of nature and became fascinated by danger during childhood 30 years later as an soe trained

jungle soldier the true story of freddy spencer chapman - Aug 03 2022

web vdom dhtml tml jungle soldier the true story of freddy spencer chapman by brian moynahan paperback 2010 for sale online ebay skip to main content

jungle soldier the true story of freddy spencer chapman - Mar 10 2023

web jungle soldier the true story of freddy spencer chapman moynahan brian amazon com tr kitap

jungle soldier the true story of freddy spencer chapman - Sep 04 2022

web freddy spencer chapman one of the british army s deadliest guerrillas was trapped in japanese occupied malaya during ww2 believed dead he was discovered two years

jungle soldier the true story of freddy spencer chapman - Oct 25 2021

amazon com jungle soldier 9781849160766 moynahan brian - Sep 23 2021

jungle soldier the true story of freddy spencer chapman - May 12 2023

web chapman f spencer frederick spencer 1907 1971 great britain special operations executive history soldiers great britain biography world war 1939 1945

jungle soldier the true story of freddy spencer chapman - Dec 27 2021

web ix 338 p 24 cm due to a planned power outage on friday 1 14 between 8am 1pm pst some services may be impacted
[jungle soldier the true story of freddy spencer chapman](#) - Apr 11 2023

web thirty years later as an soe trained guerrilla soldier of exceptional ability and courage the orphan boy would prove to be one of the british army s deadliest agents in 1941

jungle soldier the true story of freddy spencer chapman - Feb 09 2023

web brought up in a vicarage freddy spencer chapman acquired a love of nature and became fascinated by danger during childhood thirty years later as an soe trained guerilla

jungle soldier the true story of freddy spencer chapman - Oct 05 2022

web may 16 2013 the thrilling true story of a forgotten british hero of world war ii arctic explorer survival expert and naturalist freddy spencer chapman was trapped behind

jungle soldier the true story of freddy spencer chapman - Apr 30 2022

web kindly say the jungle soldier the true story of freddy spencer c is universally compatible with any devices to read u s army counterinsurgency and contingency

jungle soldier the true story of freddy spencer c - Feb 26 2022

web brought up in a rural vicarage freddy spencer chapman acquired a deep love of nature and a craving for the thrill of danger thirty years later as an soe trained guerrilla

[jungle soldier the true story of freddy spencer chapman](#) - Jan 08 2023

web it s really a potted biography of freddie spencer chapman with tales from his childhood and how that shaped his personality expeditions to greenland and tibet later life and rather

jungle soldier the true story of freddy spencer chapman - Nov 06 2022

web cut off from friendly forces his only shelter the deep jungle chapman held out for three years and five months jungle soldier recounts the thrilling and unforgettable

loading interface goodreads - Mar 30 2022

web jungle soldier the true story of freddy spencer chapman brian moynahan practical guide to structures properties and applications of styrenic polymers daniel wagner

[jungle soldier the true story of freddy spencer chapman by](#) - Jun 01 2022

web discover and share books you love on goodreads

jungle soldier the true story of freddy spencer chapman - Jul 02 2022

web jungle soldier the true story of freddy spencer chapman english edition ebook moynahan brian amazon de kindle shop

la la c gende de tristan et yseut copy uniport edu - May 02 2022

web apr 25 2023 this info get the la la c gende de tristan et yseut associate that we offer here and check out the link you could buy guide la la c gende de tristan et yseut or get it as soon as feasible you could speedily download this la la c gende de tristan et yseut after getting deal so as soon as you require the book swiftly you can straight

[versions récentes de la légende de tristan et yseut au cinéma entre](#) - Feb 11 2023

web si la légende de tristan et yseut est devenue un des thèmes culturels médiévaux les plus populaires à notre époque et donc les plus productifs cela ne remonte qu'au début du siècle dernier siècle qui vit justement la naissance du cinéma

[la légende de tristan et yseut by françoise rachmuhl](#) - Aug 05 2022

web aug 4 2023 siècle c est alors que la légende devient un mythe celui de la passion invincible plus forte que tous les obstacles de l'amour indissolublement lié à la mort dès 1859 wagner l'utilise en la

[tristan et yseut 4 encyclopædia universalis](#) - May 14 2023

web un couple mythique dès le moyen Âge tristan et yseut sont entrés dans le cercle des amants mythiques mieux que le couple formé par lancelot et guenièvre dont la passion s'épure dans l'absence et l'errance leur histoire interroge la valeur et la place de l'amour dans une société donnée la réponse des écrivains médiévaux est aussi moralisante

[la légende de tristan et yseut by françoise rachmuhl goodreads](#) - Jun 15 2023

web jan 1 2007 la légende de tristan et yseut book read reviews from world's largest community for readers le roi marc de cornouailles a décidé de prendre pour épouse

[la légende de tristan et yseut by françoise rachmuhl](#) - Jan 30 2022

web la légende de tristan et yseut ce résumé n'est qu'une courte synthèse tant la légende connaît de versions et de développements différents parfois contradictoires rivalent roi de loonois a épousé bleunwenn nom breton signifiant blanche fleur la sur

tristan et yseut résumé 314 mots étudier - Jan 10 2023

web la légende de tristan et yseut est née au cœur de l'occident médiéval au xiie siècle c'est l'un des plus anciens récits écrits en français et certainement une des œuvres fondatrices du roman moderne contexte l'histoire se déroule en cornouailles en Bretagne et en Irlande elle met en scène deux amants tristan

[la la c gende de tristan et yseut pqr uiaf gov co](#) - Feb 28 2022

web fortement que celle de tristan et yseut ce volume réunit les romans et les récits en vers français qui en constituent au xiie siècle les monuments les plus anciens les romans de brouel et de thomas la folie tristan le lai du chvrefeuille et celui du donnie des amants ou tristan rossignol on y a

[la la c gende de tristan et yseut c d amezeuil](#) - Dec 29 2021

web un panorama des romans courtois des xiie et xiiie siècles depuis les précurseurs que constituent les romans antiques en

vers jusqu'aux grandes sommes en prose des années 1250 il analyse l'oeuvre de Chrétien de Troyes et s'attarde sur les célèbres légendes de Tristan et Yseult de Lancelot et la Reine Guenièvre couples

la légende de tristan et yseult by française rachmuhl - Jul 04 2022

web jun 11 2023 la légende de tristan et yseult by française rachmuhl tristan et yseult tristan en un breuvage de mort c'est ce sombre dénouement du mythe antique qui est reproduit dans le drame de Wagner parons maintenant le poème même de Wagner avec les versions les plus anciennes de la légende épique de Tristan et Yseult

la la c gende de tristan et yseult pdf pqr uiaf gov co - Dec 09 2022

web civilisation aussi fortement que celle de Tristan et Yseult ce volume réunit les romans et les récits en vers français qui en constituent au XII^e siècle les monuments les plus anciens les romans de Béroul et de Thomas la Folie Tristan le lai du Chèvrefeuille et celui du Donné des Amants ou Tristan Rossignol on y a

la la c gende de tristan et yseult uniport edu - Jun 03 2022

web apr 26 2023 la la c gende de tristan et yseult recognizing the pretentiousness ways to acquire this books la la c gende de tristan et yseult is additionally useful you have remained in right site to begin getting this info get the la la c gende de tristan et yseult link that we have enough money here and check out the link

tristan et yseult encyclopædia universalis - Jul 16 2023

web tristan et yseult conter de tristan on réunit sous les noms de Tristan et Yseult des récits qui s'échelonnent de la seconde moitié du XII^e siècle au milieu du XVI^e siècle vers 1525 Pierre Sala offre un Tristan à François I^{er}

ebook la la c gende de tristan et yseult - Apr 13 2023

web tristan et yseult les Amants de Cornouailles unis pour avoir bu le philtre d'amour cette légende médiévale a marqué plus que nulle autre l'imagination et la sensibilité de l'Europe entière elle apparaît d'abord fragmentaire et morcelée dans des poèmes français du XII^e siècle dont le roman de Béroul est sans doute le plus ancien

isabelle boulay le garçon triste lyrics turkish translation - Apr 01 2022

web nasıl da biliyor hayret etmeyi basitçe yaşıyor olmaya hüzünlü bir erkek çocuğunun şarkısını söylüyorum pozlar takınan translations of le garçon triste english guest chinese joyce su german lobolyrix latvian vilkacis turkish guest isabelle boulay top 3 1 c'était Noël à Paris 2 tico tico 3 parle moi

la la c gende de tristan et yseult pdf pdf red ortax - Mar 12 2023

web la la c gende de tristan et yseult pdf introduction la la c gende de tristan et yseult pdf pdf title la la c gende de tristan et yseult pdf pdf red ortax org created date 9 1 2023 4 16 22 am

[la la c gende de tristan et yseult pdf copy eshragggroup com](#) - Sep 06 2022

web tristan et yseult ce volume réunit les romans et les récits en vers français qui en constituent au XII^e siècle les monuments

les plus anciens les romans de bérul et de thomas la folie tristan le lai du chèvrefeuille et celui du donnei des amants ou tristan rossignol on y a joint traduite pour la

[la la c gende chevaleresque de tristan et iseult goodreads](#) - Oct 07 2022

web la la c gende chevaleresque de tristan et iseult book read reviews from world s largest community for readers la la c gende chevaleresque de tristan et

[tristan et iseut wikipédia](#) - Aug 17 2023

web tristan et iseut jouent aux échecs et boivent le philtre d amour à bord d un navire enluminure du tristan de léonois 1470 bnf département des manuscrits ms français 112 f o 239 r o tristan et iseut est un mythe littéraire 1 médiéval dont les poètes normands auteurs des premières versions écrites conservées de cette légende ont

tristan et yseut héros de légende goodreads - Nov 08 2022

web sur l île tristan apprend que le seul moyen d approcher la princesse est de vaincre un dragon qui terrorise les habitants le jeune chevalier s aventure dans les marais en quête du monstre il ne sait pas qu il marche ainsi vers