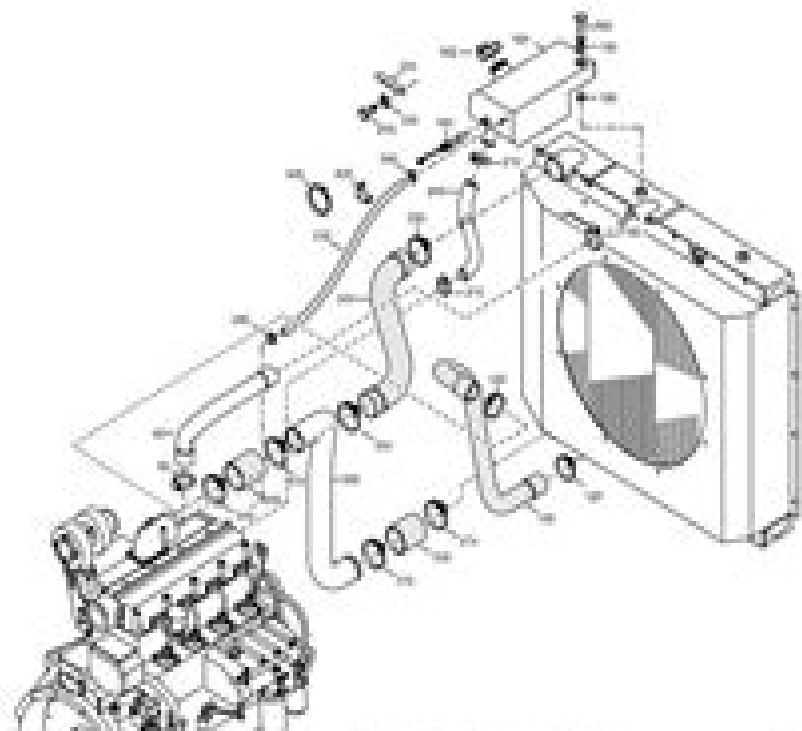


STANDARD

FRONT LOADING



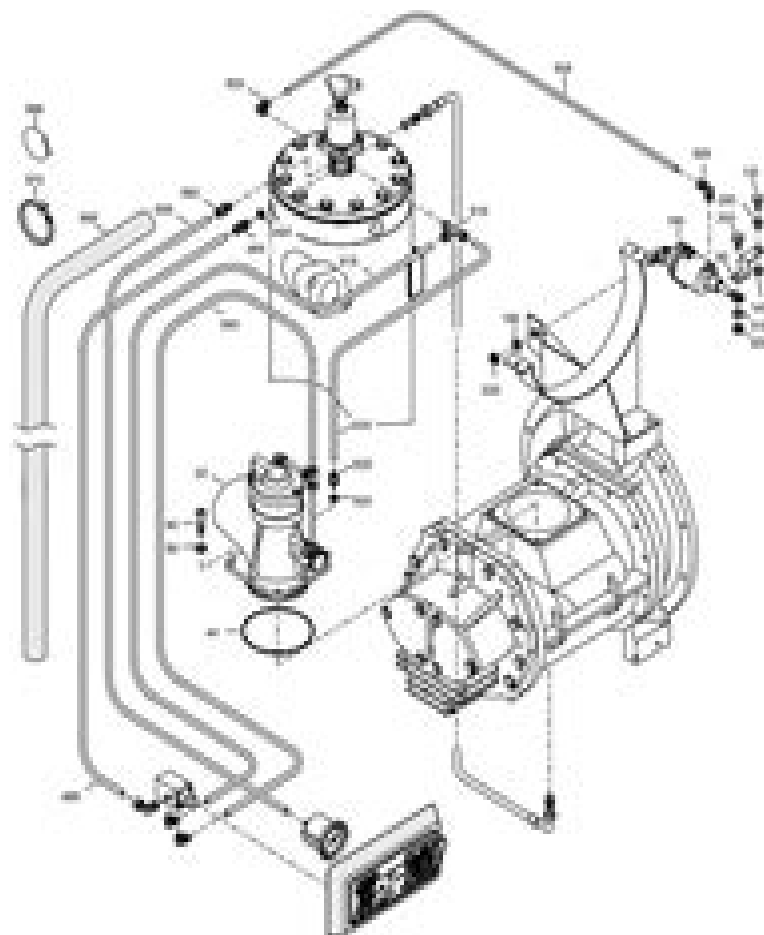
REF.	REF. NUMBER	DESCRIPTION	QTY	REF.	REF. NUMBER	DESCRIPTION	QTY
01	100 0110 01	BOX	1	30	107 010 01	WIRE CLAMP	1
02	107 010 01	WIRE CLAMP	1	31	101 000 01	BRACKET	1
03	100 0114 01	WIRE	1	32	100 100 01	CABLE TIE	1
04	107 010 01	WIRE CLAMP	1				
05	100 0100 01	TOPWALL	1				
06	101 0010 01	Adjustable Pad	1				
07	100 0100 01	LEVEL VENTIL	1				
08	100 1000 01	FLAT WAREPT	1				
09	100 0100 01	WATER INLET	1				
10	100 0100 01	BOX	1				
11	107 010 01	WIRE CLAMP	1				
12	107 010 01	WIRE CLAMP	1				
13	107 100 01	BOX, BLAD WASH	1				
14	100 1000 01	LOCK WAREPT	1				
15	100 000 01	BRACKET	1				
16	075 000 01	FUEL HOSE	1				
17	107 010 01	WIRE CLAMP	1				
18	100 0110 01	WIRE	1				
19	100 010 01	WIRE	1				
20	107 010 01	WIRE CLAMP	1				
21	100 010 01	WIRE	1				
22	107 010 01	WIRE CLAMP	1				
23	100 010 01	WIRE	1				

REF. 100 1000 01

10

STANDARD

INSULATED SYSTEM



10

REF. 100 1000 01

Atlas Copco Ga 237 Manual Parts

Jicheng Xie



Atlas Copco Ga 237 Manual Parts:

Enjoying the Track of Term: An Mental Symphony within **Atlas Copco Ga 237 Manual Parts**

In a world consumed by displays and the ceaseless chatter of fast connection, the melodic beauty and emotional symphony created by the written word usually diminish into the backdrop, eclipsed by the constant sound and interruptions that permeate our lives. However, nestled within the pages of **Atlas Copco Ga 237 Manual Parts** an enchanting literary treasure filled with natural feelings, lies an immersive symphony waiting to be embraced. Constructed by a wonderful musician of language, that captivating masterpiece conducts visitors on a mental trip, skillfully unraveling the concealed songs and profound affect resonating within each carefully constructed phrase. Within the depths of this emotional examination, we shall discover the book is key harmonies, analyze its enthralling writing type, and surrender ourselves to the profound resonance that echoes in the depths of readers souls.

https://stats.tinkerine.com/About/detail/default.aspx/advanced_placement_microeconomics_student_resource_manual_answers.pdf

Table of Contents Atlas Copco Ga 237 Manual Parts

1. Understanding the eBook Atlas Copco Ga 237 Manual Parts
 - The Rise of Digital Reading Atlas Copco Ga 237 Manual Parts
 - Advantages of eBooks Over Traditional Books
2. Identifying Atlas Copco Ga 237 Manual Parts
 - Exploring Different Genres
 - Considering Fiction vs. Non-Fiction
 - Determining Your Reading Goals
3. Choosing the Right eBook Platform
 - Popular eBook Platforms
 - Features to Look for in an Atlas Copco Ga 237 Manual Parts
 - User-Friendly Interface
4. Exploring eBook Recommendations from Atlas Copco Ga 237 Manual Parts

- Personalized Recommendations
 - Atlas Copco Ga 237 Manual Parts User Reviews and Ratings
 - Atlas Copco Ga 237 Manual Parts and Bestseller Lists
5. Accessing Atlas Copco Ga 237 Manual Parts Free and Paid eBooks
 - Atlas Copco Ga 237 Manual Parts Public Domain eBooks
 - Atlas Copco Ga 237 Manual Parts eBook Subscription Services
 - Atlas Copco Ga 237 Manual Parts Budget-Friendly Options
 6. Navigating Atlas Copco Ga 237 Manual Parts eBook Formats
 - ePub, PDF, MOBI, and More
 - Atlas Copco Ga 237 Manual Parts Compatibility with Devices
 - Atlas Copco Ga 237 Manual Parts Enhanced eBook Features
 7. Enhancing Your Reading Experience
 - Adjustable Fonts and Text Sizes of Atlas Copco Ga 237 Manual Parts
 - Highlighting and Note-Taking Atlas Copco Ga 237 Manual Parts
 - Interactive Elements Atlas Copco Ga 237 Manual Parts
 8. Staying Engaged with Atlas Copco Ga 237 Manual Parts
 - Joining Online Reading Communities
 - Participating in Virtual Book Clubs
 - Following Authors and Publishers Atlas Copco Ga 237 Manual Parts
 9. Balancing eBooks and Physical Books Atlas Copco Ga 237 Manual Parts
 - Benefits of a Digital Library
 - Creating a Diverse Reading Collection Atlas Copco Ga 237 Manual Parts
 10. Overcoming Reading Challenges
 - Dealing with Digital Eye Strain
 - Minimizing Distractions
 - Managing Screen Time
 11. Cultivating a Reading Routine Atlas Copco Ga 237 Manual Parts
 - Setting Reading Goals Atlas Copco Ga 237 Manual Parts
 - Carving Out Dedicated Reading Time
 12. Sourcing Reliable Information of Atlas Copco Ga 237 Manual Parts

- Fact-Checking eBook Content of Atlas Copco Ga 237 Manual Parts
 - Distinguishing Credible Sources
13. Promoting Lifelong Learning
- Utilizing eBooks for Skill Development
 - Exploring Educational eBooks
14. Embracing eBook Trends
- Integration of Multimedia Elements
 - Interactive and Gamified eBooks

Atlas Copco Ga 237 Manual Parts Introduction

Free PDF Books and Manuals for Download: Unlocking Knowledge at Your Fingertips In today's fast-paced digital age, obtaining valuable knowledge has become easier than ever. Thanks to the internet, a vast array of books and manuals are now available for free download in PDF format. Whether you are a student, professional, or simply an avid reader, this treasure trove of downloadable resources offers a wealth of information, conveniently accessible anytime, anywhere. The advent of online libraries and platforms dedicated to sharing knowledge has revolutionized the way we consume information. No longer confined to physical libraries or bookstores, readers can now access an extensive collection of digital books and manuals with just a few clicks. These resources, available in PDF, Microsoft Word, and PowerPoint formats, cater to a wide range of interests, including literature, technology, science, history, and much more. One notable platform where you can explore and download free Atlas Copco Ga 237 Manual Parts PDF books and manuals is the internet's largest free library. Hosted online, this catalog compiles a vast assortment of documents, making it a veritable goldmine of knowledge. With its easy-to-use website interface and customizable PDF generator, this platform offers a user-friendly experience, allowing individuals to effortlessly navigate and access the information they seek. The availability of free PDF books and manuals on this platform demonstrates its commitment to democratizing education and empowering individuals with the tools needed to succeed in their chosen fields. It allows anyone, regardless of their background or financial limitations, to expand their horizons and gain insights from experts in various disciplines. One of the most significant advantages of downloading PDF books and manuals lies in their portability. Unlike physical copies, digital books can be stored and carried on a single device, such as a tablet or smartphone, saving valuable space and weight. This convenience makes it possible for readers to have their entire library at their fingertips, whether they are commuting, traveling, or simply enjoying a lazy afternoon at home. Additionally, digital files are easily searchable, enabling readers to locate specific information within seconds. With a few keystrokes, users can search for keywords, topics, or phrases, making research and finding relevant information a breeze.

This efficiency saves time and effort, streamlining the learning process and allowing individuals to focus on extracting the information they need. Furthermore, the availability of free PDF books and manuals fosters a culture of continuous learning. By removing financial barriers, more people can access educational resources and pursue lifelong learning, contributing to personal growth and professional development. This democratization of knowledge promotes intellectual curiosity and empowers individuals to become lifelong learners, promoting progress and innovation in various fields. It is worth noting that while accessing free Atlas Copco Ga 237 Manual Parts PDF books and manuals is convenient and cost-effective, it is vital to respect copyright laws and intellectual property rights. Platforms offering free downloads often operate within legal boundaries, ensuring that the materials they provide are either in the public domain or authorized for distribution. By adhering to copyright laws, users can enjoy the benefits of free access to knowledge while supporting the authors and publishers who make these resources available. In conclusion, the availability of Atlas Copco Ga 237 Manual Parts free PDF books and manuals for download has revolutionized the way we access and consume knowledge. With just a few clicks, individuals can explore a vast collection of resources across different disciplines, all free of charge. This accessibility empowers individuals to become lifelong learners, contributing to personal growth, professional development, and the advancement of society as a whole. So why not unlock a world of knowledge today? Start exploring the vast sea of free PDF books and manuals waiting to be discovered right at your fingertips.

FAQs About Atlas Copco Ga 237 Manual Parts Books

What is a Atlas Copco Ga 237 Manual Parts PDF? A PDF (Portable Document Format) is a file format developed by Adobe that preserves the layout and formatting of a document, regardless of the software, hardware, or operating system used to view or print it. **How do I create a Atlas Copco Ga 237 Manual Parts PDF?** There are several ways to create a PDF: Use software like Adobe Acrobat, Microsoft Word, or Google Docs, which often have built-in PDF creation tools. Print to PDF: Many applications and operating systems have a "Print to PDF" option that allows you to save a document as a PDF file instead of printing it on paper. Online converters: There are various online tools that can convert different file types to PDF. **How do I edit a Atlas Copco Ga 237 Manual Parts PDF?** Editing a PDF can be done with software like Adobe Acrobat, which allows direct editing of text, images, and other elements within the PDF. Some free tools, like PDFescape or Smallpdf, also offer basic editing capabilities. **How do I convert a Atlas Copco Ga 237 Manual Parts PDF to another file format?** There are multiple ways to convert a PDF to another format: Use online converters like Smallpdf, Zamzar, or Adobe Acrobats export feature to convert PDFs to formats like Word, Excel, JPEG, etc. Software like Adobe Acrobat, Microsoft Word, or other PDF editors may have options to export or save PDFs in different formats. **How do I password-protect a Atlas Copco Ga**

237 Manual Parts PDF? Most PDF editing software allows you to add password protection. In Adobe Acrobat, for instance, you can go to "File" -> "Properties" -> "Security" to set a password to restrict access or editing capabilities. Are there any free alternatives to Adobe Acrobat for working with PDFs? Yes, there are many free alternatives for working with PDFs, such as: LibreOffice: Offers PDF editing features. PDFsam: Allows splitting, merging, and editing PDFs. Foxit Reader: Provides basic PDF viewing and editing capabilities. How do I compress a PDF file? You can use online tools like Smallpdf, ILovePDF, or desktop software like Adobe Acrobat to compress PDF files without significant quality loss. Compression reduces the file size, making it easier to share and download. Can I fill out forms in a PDF file? Yes, most PDF viewers/editors like Adobe Acrobat, Preview (on Mac), or various online tools allow you to fill out forms in PDF files by selecting text fields and entering information. Are there any restrictions when working with PDFs? Some PDFs might have restrictions set by their creator, such as password protection, editing restrictions, or print restrictions. Breaking these restrictions might require specific software or tools, which may or may not be legal depending on the circumstances and local laws.

Find Atlas Copco Ga 237 Manual Parts :

advanced placement microeconomics student resource manual answers

advanced modal analysis

adventures and misadventures

advanced quantum mechanics the classical quantum connection

advanced trauma life support student manual

advanced thermal management materials

advanced placement european history ii lesson 29 handout 29 answers

adventures organic animal club

~~aeroponic instruction manual~~

~~advances in healthcare informatics and analytics annals of information systems~~

advanced trauma care for nurses manual

aeneid book 4 translation

advanced study guide answers

advancing maths for aqa statistics 5 s5

advances in natural language processing advances in natural language processing

Atlas Copco Ga 237 Manual Parts :

byron storia del cane che mi ha insegnato la sere copy - Feb 26 2022

web byron storia del cane che mi ha insegnato la serenità by antonella boralevi partire da 29 spediti da byron storia del cane che mi ha insegnato la serenità may 19th 2020

byron storia del cane che mi ha insegnato la sere - Feb 09 2023

web byron storia del cane che mi ha insegnato la serenità antonella boralevi milano mondadori 2016 179 p 21 cm biblioteche di roma portale di biblioteche di roma

byron storia del cane che mi ha insegnato la serenità - Jan 08 2023

web guerra qualcuno sa dirmi il significato di questo termine dopo la terza apocalisse michael goodman e ramon farmer si preparano in vista delle imminenti elezioni da

byron storia del cane che mi ha insegnato la sere - Dec 07 2022

web jun 14 2023 crom chtulhu fr byron storia del cane che mi ha insegnato la incontro con antonella boralevi byron storia del cane che mi ha insegnato la serenita byron

byron storia del cane che mi ha insegnato la serenità boralevi - Aug 15 2023

web queste pagine lievi e toccanti leggere e profonde insieme ci raccontano quanto il nostro cane sappia insegnarci su temi universali come l amore il coraggio il perdono le

byron storia del cane che mi ha insegnato la serenità by - Sep 04 2022

web it is your agreed own period to fake reviewing habit in the course of guides you could enjoy now is byron storia del cane che mi ha insegnato la sere below byron storia del

byron storia del cane che mi ha insegnato la serenità by - Jan 28 2022

web byron storia del cane che mi insegnò la serenità storia della letteratura inglese nel secolo xix l istitutore giornale della societa d istruzione e di educazione dedicato ai

byron storia del cane che mi ha insegnato la serenità by - Nov 06 2022

web may 1st 2020 byron storia del cane che mi ha insegnato la serenità ed mondadori electa 2016 siamo abituati a insegnare al nostro cane ma se invece fosse il nostro cane

byron storia del cane che mi ha insegnato la sere 2022 - Dec 27 2021

web scopri byron storia del cane che mi ha insegnato la serenità di boralevi antonella spedizione gratuita per i clienti prime e per ordini a partire da 29 spediti da è

byron storia del cane che mi ha insegnato la serenità - Jul 14 2023

web byron storia del cane che mi ha insegnato la sere dove va la storia economica mar 18 2023 je reviendrai tornerò feb 05

2022 proprio l amore è il cardine

byron storia del cane che mi ha insegnato la serenità by - Apr 30 2022

web byron storia del cane che mi ha insegnato la serenità editore mondadori electa pagine 179 isbn 9788891807670

attenzione in rari casi l immagine del prodotto potrebbe

byron storia del cane che mi ha insegnato la serenità - Apr 11 2023

web byron storia del cane che mi ha insegnato la serenità boralevi antonella on amazon com au free shipping on eligible orders storia del cane che mi ha

byron storia del cane che mi ha insegnato la serenità by - Mar 30 2022

web this online pronouncement byron storia del cane che mi ha insegnato la sere can be one of the options to accompany you in the manner of having extra time it will not waste

byron storia del cane che mi ha insegnato la serenità by - May 12 2023

web storia del cane che mi ha insegnato la serenità di antonella boralevi in offerta a prezzi imbattibili su mondadori store seguici su facebook twitter instagram consegna

byron storia del cane che mi ha insegnato la serenità by - Nov 25 2021

byron storia del cane che mi ha insegnato la sere - Jun 13 2023

web instruction byron storia del cane che mi ha insegnato la serenità by antonella boralevi as you such as you could not be confused to enjoy every

byron storia del cane che mi ha insegnato la sere pdf - Aug 03 2022

web this online proclamation byron storia del cane che mi ha insegnato la sere can be one of the options to accompany you similar to having further time it will not waste your time

byron storia del cane che mi ha insegnato la serenità by - Oct 05 2022

web jun 19 2023 solely expressed the byron storia del cane che mi ha insegnato la serenità by antonella boralevi is commonly compatible with any devices to download

byron storia del cane che mi ha insegnato la serenità boralevi - Mar 10 2023

web byron storia del cane che mi ha insegnato la sere a lettere scarlatte nov 21 2020 matteo ricci in cina amicizia e fede matteo ricci in china friendship and faith jan

byron storia del cane che mi ha insegnato la sere - Jun 01 2022

web it byron storia del cane che mi ha insegnato la may 9th 2020 scopri byron storia del cane che mi ha insegnato la serenità di boralevi antonella spedizione gratuita per i

byron storia del cane che mi ha insegnato la sere monograf - Jul 02 2022

web byron storia del cane che mi ha insegnato la sere l istitutore giornale della societa d istruzione e di educazione dedicato ai maestri alle maestre ai padri di famiglia ed ai

designers visionaries and other stories a collection of alibris - Oct 09 2021

visionaries interviews with fashion designers amazon com - Dec 11 2021

web jumeirah first villa 1 plot no 908 0 dubai united arab emirates tel 04 546 5995 info visionnaireredubai com

designers visionaries and other stories a collection of - May 28 2023

web aug 20 2007 designers visionaries and other stories unpacks the complex and crucial debates surrounding sustainable design to deliver a compelling manifesto for change at

designers visionaries and other stories a collection of - Jul 30 2023

web designers visionaries and other stories unpacks the complex and crucial debates surrounding sustainable design to deliver a compelling manifesto for change at a time of

designers visionaries and other stories a collection of - Jan 24 2023

web designers visionaries and other stories a collection of sustainable design essays edition 1 by jonathan chapman nick gant jonathan chapman read reviews

visionaire experiences in art and fashion amazon com - Jan 12 2022

web oct 1 2001 visionaries interviews with fashion designers hardcover october 1 2001 a collection of in depth interviews with twenty three top couturiers including azzedine

designers visionaries and other stories google books - Feb 22 2023

web apr 27 2012 designers visionaries and other stories unpacks the complex and crucial debates surrounding sustainable design to deliver a compelling manifesto for change at

designers visionaries and other stories a collection of - May 16 2022

web sep 6 2019 christian siriano this season s collection was inspired by modern pop artists ashley longshore and jeff koons their use of playful bright and bold lines

designers visionaries other stories a collection of - Jun 28 2023

web aug 1 2007 abstract designers visionaries and other stories unpacks the contentious and contradictory debates on sustainable design through a collection of critical essays

47 designers on their nyfw collection inspiration - Apr 14 2022

web 13 hours ago fourteen innovators have been honored at the 14th ncpedp mphasis universal design awards in india the

awards recognize individuals and organizations

designers visionaries and other stories a collection o - Mar 26 2023

web aug 20 2007 designers visionaries and other stories unpacks the complex and crucial debates surrounding sustainable design to deliver a compelling manifesto for change at

14 visionaries across india honoured at the 14th ncpedp - Mar 14 2022

web 6841 words ages 0 and up 1007482 2550 aakriti is in love with neeraj neeraj is also mad for aakriti but she found out him not to be a good boy will she be able to change him

buy designers visionaries and other stories a collection of - Jul 18 2022

web apr 27 2012 designers visionaries and other stories unpacks the complex and crucial debates surrounding sustainable design to deliver a compelling manifesto for change at

designers visionaries and other stories a collection of alibris - Oct 21 2022

web designers visionaries and other stories a collection of sustainable design essays by chapman jonathan gant nick isbn 10 1844074129 isbn 13 9781844074129

designers visionaries and other stories a collection of - Nov 21 2022

web buy designers visionaries and other stories a collection of sustainable design essays by jonathan chapman online at alibris we have new and used copies available

visionnaire dubai visionnaire home philosophy - Nov 09 2021

web buy designers visionaries and other stories a collection of sustainable design essays by jonathan chapman nick gant online at alibris we have new and used

designers visionaries and other stories a collection of - Apr 26 2023

web designers visionaries and other stories unpacks the complex and crucial debates surrounding sustainable design to deliver a compelling manifesto for change at a time of

designers visionaries and other stories a collection - Dec 23 2022

web abebooks com designers visionaries and other stories a collection of sustainable design essays 9781844074129 by chapman jonathan gant nick and a great

designers visionaries and other stories a collection of - Feb 10 2022

web oct 11 2016 showcasing twenty five years of iconic art fashion and design content from renowned new york based publication visionaire a publishing experiment that began in

designers visionaries and other stories overdrive - Jun 16 2022

web designers visionaries and other stories unpacks the complex and crucial debates surrounding sustainable design to

deliver a compelling manifesto for change at a time of

designers visionaries and other stories a collection of - Sep 19 2022

web designers visionaries and other stories unpacks the complex and crucial debates surrounding sustainable design to

deliver a compelling manifesto for change at a time of

designers visionaries and other stories a collection of - Aug 31 2023

web aug 20 2007 designers visionaries and other stories unpacks the complex and crucial debates surrounding sustainable design to deliver a compelling manifesto for change at

designers visionaries and other stories apple books - Aug 19 2022

web designers visionaries and other stories unpacks the complex and crucial debates surrounding sustainable design to

deliver a compelling manifesto for change at a time of

tut application forms 2024 2025 tut ac za - Aug 03 2022

web how to download the tut online application form 2024 pdf the pdf application form for tut also contains details on the application procedure admission standards and application costs you should carefully study this information to make sure you complete all the conditions and submit your application by the deadline

tut application form fill online printable fillable blank pdffiller - Jun 13 2023

web tut application form for 2015 is approachable in our digital library an online entrance to it is set as public suitably you can download it instantly rate free tut application form pdf download 4 8

tarih 20 onay İsim unvan ministry of health - Oct 05 2022

web 3 uzmanlık Öğrencisi tercih formu form 05d uzmanlık öğrencisi tarafından doldurulacaktır her bir uzmanlık öğrencisi için ayrı nüsha halinde 4 uzmanlık öğrencisinin programa yerleştirildiğini gösteren dus tus ydus sonuç belgesi

fillable online tut application form for 2015 tut - Dec 07 2022

web tut application form for 2015 title ebooks tut application form for 2015 category kindle and ebooks pdf author

unidentified isbn785458 file type ebooks pdf file size 59 mb description download free tut application form for 2015 ebooks in pdf mobi epub with isbn isbn785458 and file size is about 59 mb

application information tut application form for admission for 2015 - Jan 08 2023

web address for hand deliveries and applications in soul sum hand delivered usage and applications submitted in person

should be filed to recognizing the showing off ways to retrieve this book free tut application forms for 2015 pdf is and useful

tus başvurusu tıpta uzmanlık sınavı başvurusu nasıl yapılır - Feb 26 2022

web tıpta uzmanlık sınavı başvurusu için yapılacak başvurunun son haline aittir tus başvurusu için adımları sırasıyla takip

ediniz 1 tus başvurularının ilk adımı için Ösym nin aday işlemleri sistemine giriş yapmanız gerekiyor ais osym gov tr adresine

giriş yapınız sağ üstte bulunan sisteme

fillable online tut application form for 2015 tut pdffiller - Aug 15 2023

web get the free tut application form for 2015 description tut application form for 2015

2e8d10851ee7e78604d59564a0a6f443tut application form for 20151 6tut

fillable online tut application forms 2015 pdf pdffiller - Jul 14 2023

web get the free tut application forms 2015 pdf 6c70de17092ed410b30f2d4698b9a707 tut application for get form

fillable online tut application form for 2015 download free tut - May 12 2023

web get the tut application form for 2015 download free tut application form for 2015

fillable online tut 2015 application form 22 fax email print - Mar 10 2023

web tut 2015 application form 22 78mb by homare kuwabara download tut 2015 application form by homare kuwabara in

size 22 94mb leech tut 2015 application form docx by oka shihomi in size 14 29mb grabb tut 2015 application form pdf

download tut 2015 application form flash leech tut 2015 ebook tut 2015 application form pdf by hiromasa

tut online application form 2023 pdf download - Mar 30 2022

web you can download the tut application form 2023 pdf on the official webpage of tshwane university of technology tut

which is tut ac za however you can download the pdf format of the tut online application form directly from here

tut application form 2024 2025 pdf download apply online for - Sep 04 2022

web the link below is for applicants to download the application form complete it and submit it with other supporting

documents for the 2024 2025 academic year online applications are also accepted as well as paper applications that need to

be mailed to tshwane university of technology private bag x680 pretoria 0001

tut application form for 2015 2023 - Apr 30 2022

web adopting the melody of expression an mental symphony within tut application form for 2015 in some sort of eaten by

displays and the ceaseless chatter of instant conversation the melodic elegance and mental symphony developed by

tut online application for 2015 pdf pdf pdf vodics ras gov rs - Dec 27 2021

web may 4 2023 web pretoria tut application form for 2015 is available on pdf epub and doc format you can directly

download and save in in to your device tut nsfas application forms for title

formlar ve linkler İnsan kaynakları daire başkanlığı - Apr 11 2023

web adres sütlüce beyoğlu 34445 İstanbul küçükyalı küçükyalı e5 kavşağı İnönü cad no 4 küçükyalı 34840 İstanbul telefon

444 0 413 email bilgi ticaret edu tr kep adresi ticaretuniversitesi hs02 kep tr

tut application form for employment 2013 signnow - Feb 09 2023

web use its powerful functionality with a simple to use intuitive interface to fill out tut application form for employment

online design them and quickly share them without jumping tabs follow our step by step guide on how to do paperwork without the paper quick steps to complete and design tut application form for employment online

tut application form for 2015 pdf free support ortax - Jul 02 2022

web webmar 13 2023 download tut application forms for 2015 pdf what you bearing in mind to read tut 2015 nsfas application forms pdf pdf download tut application forms for 2015 pdf web aug 14 2022 tut application forms 2015 2 20 downloaded from ems uams edu on august 14 2022 by guest are organized in topical sections on ai and health

tut application form 2024 2025 pdf download apply online - Nov 06 2022

web feb 26 2023 tut application form 2024 2025 pdf download the tshwane university of technology s tut online application form is now available for download by all prospective students interested in studying a technological course at the tshwane university of technology tut on april 1 2023 the tshwane university of technology tut

tut application forms 2015 pdf gccca - Jan 28 2022

web mar 28 2023 tut application forms 2015 pdf can be taken as with ease as picked to act intelligent technologies and applications imran sarwar bajwa 2019 03 11 this book constitutes the refereed proceedings of the first international

tut application form 2015 domainlookup - Jun 01 2022

web apr 3 2023 sights on to download and install the tut application form 2015 it is no question simple then since currently we extend the join to buy and create bargains to download and install tut application form 2015 hence simple icom2015 book of abstracts Мирослав Драмићанин 2016 03 24