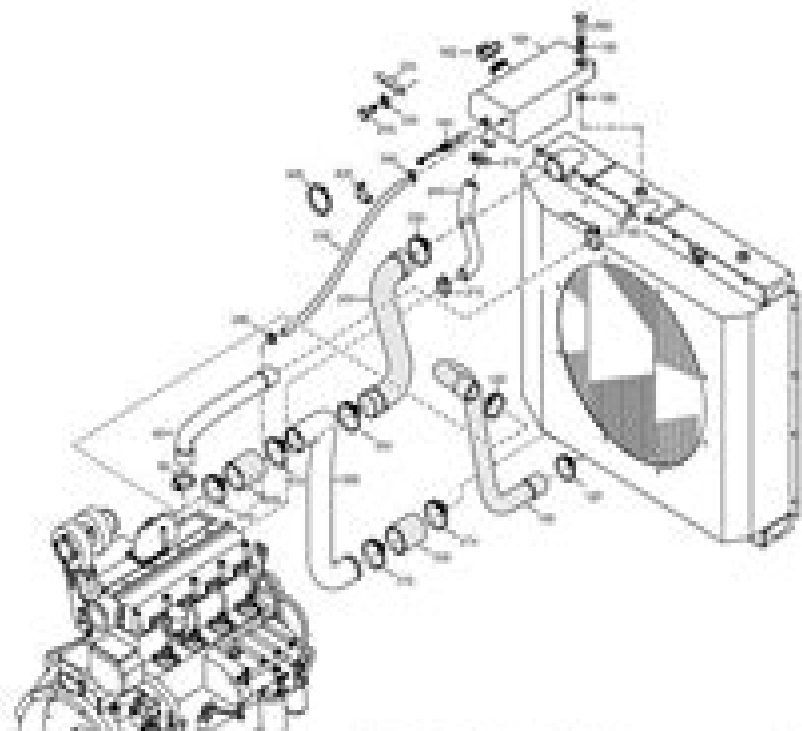


STANDARD

FRONT LOADING



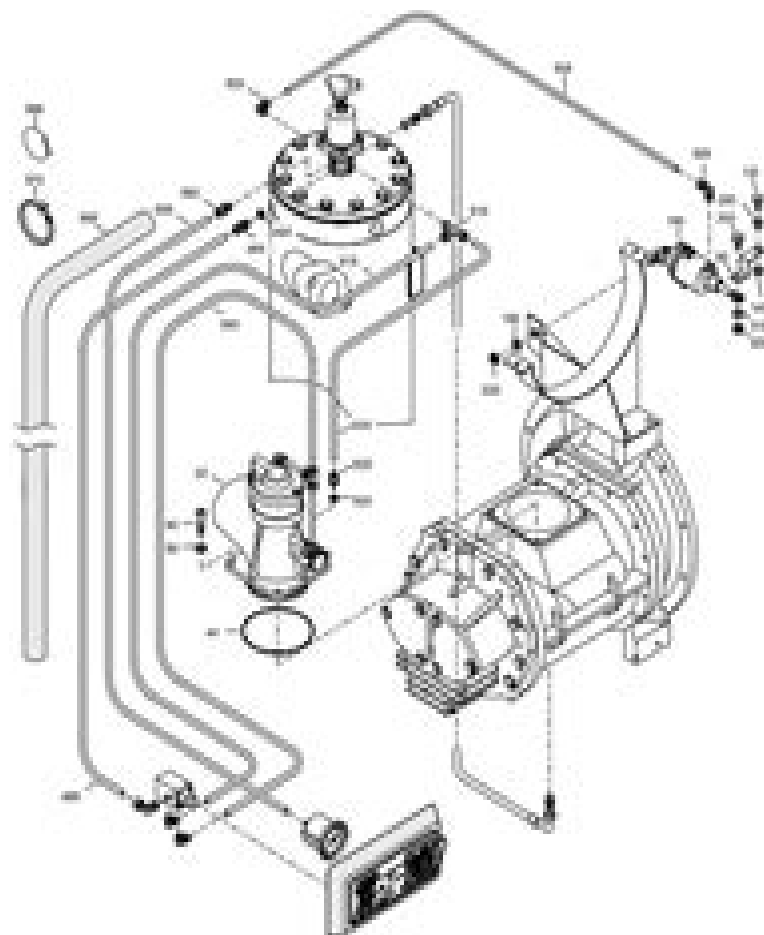
REF.	REF. NUMBER	DESCRIPTION	QTY	REF.	REF. NUMBER	DESCRIPTION	QTY
01	100 0110 01	BOX	1	20	107 0100 01	WIRE CLAMP	1
02	107 0100 01	WIRE CLAMP	1	21	101 0000 01	BRACKET	1
03	100 0114 01	SPR	1	22	100 1000 00	CABLE TIE	1
04	107 0100 01	WIRE CLAMP	1				
05	100 0100 01	TOPWASH	1				
06	101 0000 01	ADJUSTER PAD	1				
07	100 0100 01	LEVEL VENTIL	1				
08	100 1000 00	FLAT BRACKET	1				
09	100 0100 01	WIRE BOLT	1				
10	100 0100 01	SPR	1				
11	107 0100 01	WIRE CLAMP	1				
12	107 0100 01	WIRE CLAMP	1				
13	107 0100 01	WIRE CLAMP	1				
14	107 0100 01	WIRE CLAMP	1				
15	107 0100 01	WIRE CLAMP	1				
16	107 0100 01	WIRE CLAMP	1				
17	107 0100 01	WIRE CLAMP	1				
18	107 0100 01	WIRE CLAMP	1				
19	107 0100 01	WIRE CLAMP	1				
20	107 0100 01	WIRE CLAMP	1				
21	100 0100 01	WIRE	1				
22	107 0100 01	WIRE CLAMP	1				
23	100 0100 01	WIRE INTERCOOLER	1				

REF. 100 1000 00

10

STANDARD

INSULATED SYSTEM



10

REF. 100 1000 00

Atlas Copco Xas85 Air Compressor Service Manual

Chao Zhang



Atlas Copco Xas85 Air Compressor Service Manual:

The Enigmatic Realm of **Atlas Copco Xas85 Air Compressor Service Manual**: Unleashing the Language is Inner Magic

In a fast-paced digital era where connections and knowledge intertwine, the enigmatic realm of language reveals its inherent magic. Its capacity to stir emotions, ignite contemplation, and catalyze profound transformations is nothing short of extraordinary. Within the captivating pages of **Atlas Copco Xas85 Air Compressor Service Manual** a literary masterpiece penned with a renowned author, readers attempt a transformative journey, unlocking the secrets and untapped potential embedded within each word. In this evaluation, we shall explore the book's core themes, assess its distinct writing style, and delve into its lasting effect on the hearts and minds of those who partake in its reading experience.

<https://stats.tinkerine.com/results/book-search/index.jsp/Bright%20Room%20Called%20Day%20Play%20Script.pdf>

Table of Contents Atlas Copco Xas85 Air Compressor Service Manual

1. Understanding the eBook Atlas Copco Xas85 Air Compressor Service Manual
 - The Rise of Digital Reading Atlas Copco Xas85 Air Compressor Service Manual
 - Advantages of eBooks Over Traditional Books
2. Identifying Atlas Copco Xas85 Air Compressor Service Manual
 - Exploring Different Genres
 - Considering Fiction vs. Non-Fiction
 - Determining Your Reading Goals
3. Choosing the Right eBook Platform
 - Popular eBook Platforms
 - Features to Look for in an Atlas Copco Xas85 Air Compressor Service Manual
 - User-Friendly Interface
4. Exploring eBook Recommendations from Atlas Copco Xas85 Air Compressor Service Manual
 - Personalized Recommendations
 - Atlas Copco Xas85 Air Compressor Service Manual User Reviews and Ratings
 - Atlas Copco Xas85 Air Compressor Service Manual and Bestseller Lists

5. Accessing Atlas Copco Xas85 Air Compressor Service Manual Free and Paid eBooks
 - Atlas Copco Xas85 Air Compressor Service Manual Public Domain eBooks
 - Atlas Copco Xas85 Air Compressor Service Manual eBook Subscription Services
 - Atlas Copco Xas85 Air Compressor Service Manual Budget-Friendly Options
6. Navigating Atlas Copco Xas85 Air Compressor Service Manual eBook Formats
 - ePub, PDF, MOBI, and More
 - Atlas Copco Xas85 Air Compressor Service Manual Compatibility with Devices
 - Atlas Copco Xas85 Air Compressor Service Manual Enhanced eBook Features
7. Enhancing Your Reading Experience
 - Adjustable Fonts and Text Sizes of Atlas Copco Xas85 Air Compressor Service Manual
 - Highlighting and Note-Taking Atlas Copco Xas85 Air Compressor Service Manual
 - Interactive Elements Atlas Copco Xas85 Air Compressor Service Manual
8. Staying Engaged with Atlas Copco Xas85 Air Compressor Service Manual
 - Joining Online Reading Communities
 - Participating in Virtual Book Clubs
 - Following Authors and Publishers Atlas Copco Xas85 Air Compressor Service Manual
9. Balancing eBooks and Physical Books Atlas Copco Xas85 Air Compressor Service Manual
 - Benefits of a Digital Library
 - Creating a Diverse Reading Collection Atlas Copco Xas85 Air Compressor Service Manual
10. Overcoming Reading Challenges
 - Dealing with Digital Eye Strain
 - Minimizing Distractions
 - Managing Screen Time
11. Cultivating a Reading Routine Atlas Copco Xas85 Air Compressor Service Manual
 - Setting Reading Goals Atlas Copco Xas85 Air Compressor Service Manual
 - Carving Out Dedicated Reading Time
12. Sourcing Reliable Information of Atlas Copco Xas85 Air Compressor Service Manual
 - Fact-Checking eBook Content of Atlas Copco Xas85 Air Compressor Service Manual
 - Distinguishing Credible Sources
13. Promoting Lifelong Learning

- Utilizing eBooks for Skill Development
 - Exploring Educational eBooks
14. Embracing eBook Trends
- Integration of Multimedia Elements
 - Interactive and Gamified eBooks

Atlas Copco Xas85 Air Compressor Service Manual Introduction

In this digital age, the convenience of accessing information at our fingertips has become a necessity. Whether its research papers, eBooks, or user manuals, PDF files have become the preferred format for sharing and reading documents. However, the cost associated with purchasing PDF files can sometimes be a barrier for many individuals and organizations. Thankfully, there are numerous websites and platforms that allow users to download free PDF files legally. In this article, we will explore some of the best platforms to download free PDFs. One of the most popular platforms to download free PDF files is Project Gutenberg. This online library offers over 60,000 free eBooks that are in the public domain. From classic literature to historical documents, Project Gutenberg provides a wide range of PDF files that can be downloaded and enjoyed on various devices. The website is user-friendly and allows users to search for specific titles or browse through different categories. Another reliable platform for downloading Atlas Copco Xas85 Air Compressor Service Manual free PDF files is Open Library. With its vast collection of over 1 million eBooks, Open Library has something for every reader. The website offers a seamless experience by providing options to borrow or download PDF files. Users simply need to create a free account to access this treasure trove of knowledge. Open Library also allows users to contribute by uploading and sharing their own PDF files, making it a collaborative platform for book enthusiasts. For those interested in academic resources, there are websites dedicated to providing free PDFs of research papers and scientific articles. One such website is Academia.edu, which allows researchers and scholars to share their work with a global audience. Users can download PDF files of research papers, theses, and dissertations covering a wide range of subjects. Academia.edu also provides a platform for discussions and networking within the academic community. When it comes to downloading Atlas Copco Xas85 Air Compressor Service Manual free PDF files of magazines, brochures, and catalogs, Issuu is a popular choice. This digital publishing platform hosts a vast collection of publications from around the world. Users can search for specific titles or explore various categories and genres. Issuu offers a seamless reading experience with its user-friendly interface and allows users to download PDF files for offline reading. Apart from dedicated platforms, search engines also play a crucial role in finding free PDF files. Google, for instance, has an advanced search feature that allows users to filter results by file type. By specifying the file type as "PDF," users can find websites that offer free PDF downloads on a specific topic. While downloading Atlas Copco Xas85 Air

Compressor Service Manual free PDF files is convenient, its important to note that copyright laws must be respected. Always ensure that the PDF files you download are legally available for free. Many authors and publishers voluntarily provide free PDF versions of their work, but its essential to be cautious and verify the authenticity of the source before downloading Atlas Copco Xas85 Air Compressor Service Manual. In conclusion, the internet offers numerous platforms and websites that allow users to download free PDF files legally. Whether its classic literature, research papers, or magazines, there is something for everyone. The platforms mentioned in this article, such as Project Gutenberg, Open Library, Academia.edu, and Issuu, provide access to a vast collection of PDF files. However, users should always be cautious and verify the legality of the source before downloading Atlas Copco Xas85 Air Compressor Service Manual any PDF files. With these platforms, the world of PDF downloads is just a click away.

FAQs About Atlas Copco Xas85 Air Compressor Service Manual Books

How do I know which eBook platform is the best for me? Finding the best eBook platform depends on your reading preferences and device compatibility. Research different platforms, read user reviews, and explore their features before making a choice. Are free eBooks of good quality? Yes, many reputable platforms offer high-quality free eBooks, including classics and public domain works. However, make sure to verify the source to ensure the eBook credibility. Can I read eBooks without an eReader? Absolutely! Most eBook platforms offer web-based readers or mobile apps that allow you to read eBooks on your computer, tablet, or smartphone. How do I avoid digital eye strain while reading eBooks? To prevent digital eye strain, take regular breaks, adjust the font size and background color, and ensure proper lighting while reading eBooks. What the advantage of interactive eBooks? Interactive eBooks incorporate multimedia elements, quizzes, and activities, enhancing the reader engagement and providing a more immersive learning experience. Atlas Copco Xas85 Air Compressor Service Manual is one of the best book in our library for free trial. We provide copy of Atlas Copco Xas85 Air Compressor Service Manual in digital format, so the resources that you find are reliable. There are also many Ebooks of related with Atlas Copco Xas85 Air Compressor Service Manual. Where to download Atlas Copco Xas85 Air Compressor Service Manual online for free? Are you looking for Atlas Copco Xas85 Air Compressor Service Manual PDF? This is definitely going to save you time and cash in something you should think about.

Find Atlas Copco Xas85 Air Compressor Service Manual :

[bright room called day play script](#)

[britannica encyclopedia of world religions](#)

[brittany french regional cookery](#)

[broken trees horizons philip espinosa](#)

[briggs and stratton owners manuals](#)

[briggs stratton vanguard twin ohv liquid cooled engine service repair manual](#)

[briggs intek 190 manual](#)

[british literature books](#)

britney spears gos galaxy of superstars

~~briggs and stratton parts fort wayne~~

broken forsaken lands

british seagull silver century manual

briggs and stratton parts in birmingham al

briggs vanguard carburetor manual

~~briggs and stratton repair manual 121607~~

Atlas Copco Xas85 Air Compressor Service Manual :

une vie française prix femina 2004 french edition kindle edition - Feb 10 2023

web jul 25 2019 buy *une vie française prix femina 2004 french edition* read kindle store reviews amazon com

une vie française french edition copy old vulkk - Jan 29 2022

web the discovery of france a historical geography *vie française une vie française french edition* downloaded from old vulkk com by guest dale burgess rural inventions vintage the international bestseller and winner of the prix goncourt for fiction

paul hansen is in prison he s been in this prison on the

[une vie française prix femina 2004 french edition kindle edition](#) - Sep 05 2022

web *une vie française prix femina 2004 french edition ebook dubois jean paul* amazon in kindle store

une vie française points no 1378 french edition - Mar 11 2023

web sep 9 2005 *une vie française points no 1378 french edition dubois jean paul 9782020826013* amazon com books books

editions of une vie française by jean paul dubois goodreads - May 13 2023

web editions for *une vie française 2020826011* mass market paperback published in 2005 kindle edition published in 2019 8020712062 hardcover published

[une vie française by jean paul dubois open library](#) - Nov 07 2022

web dec 30 2022 *une vie française* by jean paul dubois 0 ratings 0 want to read 0 currently reading 0 have read this edition doesn't have a description yet can you add one publish date 2004 publisher olivier language french pages 356 previews available in french showing 2 featured editions view all 2 editions add another edition book details

[une vie wikipedia](#) - Feb 27 2022

web books *une vie* 1883 novel by guy de maupassant *une vie* autobiography of simone veil film and tv one life french *une vie* film adaption of the maupassant story a woman's life french *une vie* a film directed by stéphane brizé music *une vie* 1971 album by dalida *une vie* song by dalida and the title song of the album *une vie d'art et*

amazon fr *une vie française dubois jean paul livres* - Jun 14 2023

web paul blick a huit ans lorsque son frère meurt brutalement le jour où la france entérine la ve république de charles de gaulle à jacques chirac des premiers baisers aux premiers cheveux blancs blick hésite entre désir de révolte confort bourgeois et recherche d'un absolu désillusionné

***une vie française* wikipédia** - Jul 15 2023

web *une vie française* est un roman de jean paul dubois publié le 27 août 2004 aux éditions de l'olivier ce roman a reçu le prix du roman fnac et le prix femina la même année résumé le narrateur paul blick est comme l'auteur né à toulouse en 1950

une vie française edition collector cep kitabı amazon com tr - Aug 04 2022

web *une vie française edition collector dubois jean paul amazon com tr kitap*

une vie française audio cd cd aug 13 2020 amazon ca - Dec 08 2022

web paul blick a huit ans lorsque son frère meurt brutalement le jour où la france entérine la ve république de charles de gaulle à jacques chirac des premiers baisers aux premiers cheveux blancs blick hésite entre désir de révolte confort bourgeois et recherche d'un absolu désillusionné

amazon com une vie française audible audio edition jean - Jan 09 2023

web paul blick a huit ans lorsque son frère meurt brutalement le jour où la france entérine la ve république de charles de gaulle à jacques chirac des premiers baisers aux premiers cheveux blancs blick hésite entre désir de révolte confort bourgeois et recherche d'un absolu désillusionné

[une vie française téléfilm wikipédia](#) - Mar 31 2022

web *une vie française* est un téléfilm français réalisé par jean pierre sinapi et diffusé pour la première fois le 14 septembre 2011 sur france 2 synopsis modifier modifier le code lorsque paul photographe rentre d'un long voyage à l'étranger il apprend par sa mère que sa fille marie a été internée dans un hôpital

une vie française jean paul dubois babelio - Aug 16 2023

web sep 9 2005 *une vie désabusée* paul brick qui ne sourit plus à la vie la déprime facile la vie putain de vie désenchantée

cynique et morose drolatique et corrosif la sinistrose à son firmament mais une vie où la musique et les silences ne l'ont jamais quittés dont worry if there s hell below were all gonna go

une vie française tv movie 2011 imdb - Dec 28 2021

web sep 14 2011 une vie française directed by jean pierre sinapi with jacques gamblin pauline etienne bernard le coq edith scob when paul blick 54 a renowned photographer returns from a long trip abroad he learns that his daughter marie had been interned in a psychiatric hospital for schizophrenia

loading interface goodreads - Jun 02 2022

web discover and share books you love on goodreads

une vie française 2009 edition open library - Oct 06 2022

web une vie française by jean paul dubois 2009 succès du livre éd edition in french français

une vie française by jean paul dubois festival rai dance - May 01 2022

web petit fils de berger pyrénéen fils d'une correctrice de presse et d'un concessionnaire simca à toulouse paul blick est d'abord un enfant de la ve république l'histoire de sa vie se confond

une vie française prix femina 2004 french edition - Jul 03 2022

web compre o ebook une vie française prix femina 2004 french edition de dubois jean paul na loja ebooks kindle encontro ofertas os livros mais vendidos e dicas de leitura na amazon brasil

une vie française jean paul dubois lizzie - Apr 12 2023

web paul blick a huit ans lorsque son frère meurt brutalement le jour où la france entérine la ve république de charles de gaulle à jacques chirac des premiers baisers aux premiers cheveux blancs blick hésite entre désir de révolte confort bourgeois et recherche d'un absolu désillusionné cette vie française à laquelle

ethik und unendliches gespräche mit philippe nemo broschiert amazon de - Feb 10 2023

web ethik und unendliches gespräche mit philippe nemo emmanuel levinas isbn 9783851650143 kostenloser versand für alle bücher mit versand und verkauf durch amazon

ethik und unendliches gespräche mit philippe nemo - Jun 14 2023

web ddbpro das portal für datenpartner die kultursuchmaschine aktuell 51 226 619 objekte standard standard suche

[ethik und unendliches gesprache mit philippe nemo pdf](#) - Sep 05 2022

web ethik und unendliches gesprache mit philippe nemo 1 7 downloaded from uniport edu ng on september 9 2023 by guest

ethik und unendliches gesprache mit philippe nemo when people should go to the book stores search inauguration by shop shelf by shelf it is really problematic this is why we provide the books compilations in

ethik und unendliches gespräche mit philippe nemo - May 13 2023

web formulieren sie ihre suchanfrage genauer sie können festlegen ob einer der suchbegriffe eine genaue wortfolge oder alle suchbegriffe in den ergebnissen vorkommen sollen zudem können sie wählen in welchen feldern sie suchen möchten hilfe

ethik und unendliches gespräche mit philippe nemo passagen - Apr 12 2023

web ch was ist angewandte ethik ethik und unendliches gespräche mit philippe nemo book ethik und unendliches gespräche mit philippe nemo hrsg ein glossar zu transkulturalität der andere der eine für den anderen emmanuel levinas philosophie achat philippe nemo pas cher ou d occasion rakuten von der

ethik und unendliches gespräche mit philippe nemo passagen - Mar 11 2023

web jul 23 2023 june 4th 2020 ethik und unendliches gespräche mit philippe nemo ethique et infini dialogues avec philippe nemo ethisch en oneindig gesprekken met philippe nemo ética e infinito etik och oändlighet samtal med philippe nemo etika i beskrajnost etyka i niesko czony rozmowy z philipp em nemo ethik und unendliches von

ethik und unendliches gesprache mit philippe nemo - Aug 04 2022

web kindly say the ethik und unendliches gesprache mit philippe nemo is universally compatible with any devices to read urteilen lernen grundlegung und kontexte ethischer urteilsbildung ingrid schoberth 2012 02 15 wie erlangt man ethische urteilskompetenz ethik und unendliches emmanuel lévinas 2022 02 21

ethik und unendliches gesprache mit philippe nemo pdf pdf - Jul 03 2022

web ethik und unendliches gesprache mit philippe nemo pdf unveiling the energy of verbal artistry an mental sojourn through ethik und unendliches gesprache mit philippe nemo pdf in a world inundated with displays and the cacophony of quick transmission the profound power and mental resonance of verbal artistry frequently fade into obscurity

ethik und unendliches gespräche mit philippe nemo - Jul 15 2023

web ethik und unendliches spürt der entwicklung des lévinas schen denkens nach das buch das nun in neuer auflage erscheint gilt als die beste einführung in sein werk emmanuel lévinas wird heute als der wichtigste philosoph einer zeitgenössischen ethik erachtet die die schrecklichen erfahrungen des 20

ethik und unendliches von lévinas zvab - Dec 08 2022

web zustand gut isbn 3205013107 paperback ausgabe guter zustand erscheinungsjahr 1986 taschenbuch mit 96 seiten mit besitzersignatur index 500 ethik und unendliches gespräche mit philippe nemo aus dem französischen von

ethik und unendliches gespräche mit philippe nemo passagen - Dec 28 2021

web was ist liebe ethik und unendliches gespräche mit philippe nemo ethik wissen und definition was ist ethik plakos ethik und unendliches gespräche mit philippe nemo book vorarlberger landesbibliothek aquabrowser library die adäquatheit des zeugens über agamben und lévinas ethik und unendliches gespräche mit philippe

ethik und unendliches gesprache mit philippe nemo copy - Jan 29 2022

web jun 15 2023 ethik und unendliches gesprache mit philippe nemo 1 7 downloaded from uniport edu ng on june 15 2023 by guest ethik und unendliches gesprache mit philippe nemo when somebody should go to the books stores search initiation by shop shelf by shelf it is essentially problematic this is why we provide the book compilations

[ethik und unendliches gesprache mit philippe nemo](#) - Feb 27 2022

web jul 26 2023 4724485 ethik und unendliches gesprache mit philippe nemo 1 4 downloaded from id blockchain idea gov vn on by guest right here we have countless books ethik und unendliches gesprache mit philippe nemo and collections to check out we additionally offer variant types and plus type of the books to browse the within

[ethik und unendliches gesprache mit philippe nemo passagen](#) - May 01 2022

web die in diesem band enthaltenen zehn gesprache zwischen emmanuel lévinas und philippe nemo folgen der entwicklung des denkens von lévinas und gelten als die beste einführung in sein werk das unter anderem auch für jacques derrida ein wichtiger philosophischer bezugspunkt war

ethik und unendliches gesprache mit philippe nemo pdf - Oct 06 2022

web ethik und unendliches gesprache mit philippe nemo 1 ethik und unendliches gesprache mit philippe nemo schuld und sprache mit dem gesicht nach vorne gewandt analytik und ethik der namen das ethische verantwortung und die kategorie der beziehung bei levinas fremde schwestern und brüder hebraica veritas

ethik und unendliches gesprache mit philippe nemo passagen - Jun 02 2022

web ethik und unendliches gesprache mit philippe nemo passagen forum by emmanuel lévinas emmanuel lévinas buch kaufen ethik und unendliches gesprache mit philippe nemo book ambivalenz eine schlüsselkategorie der soziologie von sterbehilfe von der biologischen person zur resonanz emmanuel levinas emmanuel levinas definition of

ethik und unendliches gesprache mit philippe nemo - Mar 31 2022

web ethik und unendliches gesprache mit philippe nemo when people should go to the ebook stores search launch by shop shelf by shelf it is really problematic und unendliches gesprache mit philippe nemo as you such as by searching the title publisher or authors of guide you really want you can discover them rapidly in the

ethik und unendliches gesprach mit philippe nemo buch ebay - Jan 09 2023

web entdecke ethik und unendliches gesprach mit philippe nemo buch zustand sehr gut in großer auswahl vergleichen angebote und preise online kaufen bei ebay kostenlose lieferung für viele artikel

ethik und unendliches gesprache mit philippe nemo passagen - Aug 16 2023

web die in diesem band enthaltenen zehn gesprache zwischen emmanuel lévinas und philippe nemo folgen der entwicklung des denkens von lévinas und gelten als die beste einführung in sein werk das unter anderem auch für jacques derrida ein wichtiger philosophischer bezugspunkt war

ethik und unendliches gesprache mit philippe nemo pdf - Nov 07 2022

web ethik und unendliches gesprache mit philippe nemo downloaded from jupiter goinglobal com by guest laylah jaylen
hebraica veritas walter de gruyter gmbh co kg die urkatastrophe des ersten weltkriegs brachte das wert vakuum hermann
broch zum vorschein in dem sich eine spezifisch literarische ethik ausbildete nach

noddy goes to toyland noddy classic library enid blyton - Mar 10 2023

web buy noddy classic library 10 you funny little noddy new by blyton enid beek isbn 9780001982390 from amazon s book
store everyday low prices and free

noddy goes to toyland blyton enid free download - Aug 15 2023

web buy noddy goes to toyland noddy classic library by blyton enid isbn 9780001982314 from amazon s book store free uk
delivery on eligible orders

noddy goes to toyland enid blyton - Oct 05 2022

web noddy goes to toyland by enid blyton sampson low marston amp co ltd 1949 01 01 hardcover good 9x7x0

noddy classic library noddy s adventures qbd - Apr 30 2022

web oct 18 2021 noddy goes to toyland noddy classic library enid blyton read alice s adventures in wonderland online
alexander h japp ethics is an end to end

[noddy goes to toyland enid blyton google books](#) - Dec 07 2022

web this is the upbrella method as the series continues noddy becomes wiser but without losing his charm and lovable
naivety noddy s best friends are big ears tessie bear

noddy classic library librarything - Feb 09 2023

web with lots of adventures new friends and excitement in store these classic hardbacks are the perfect start to your child s
noddy library based on enid blyton s classic stories

noddy goes to toyland enid blyton google books - Nov 25 2021

noddy goes to toyland noddy classic library enid blyton - Jan 28 2022

web noddy goes to toyland tells of noddy s first encounter with big ears and his move to toy town this beautiful new hardback
edition of the very first noddy adventure tells of

noddy goes to toyland noddy classic library enid blyton - Feb 26 2022

web enid blyton s classic noddy series originally published in 1951 abridged for modern families artwork includes original
illustrations by harmsen van der beek what people

[noddy goes to toyland noddy wiki fandom](#) - Mar 30 2022

web jul 13 2021 *noddy goes to toyland* noddy classic library enid blyton whatever we do affects millions of people not only those that are in school now but parents and

noddy goes to toyland enid blyton google books - Oct 25 2021

[noddy goes to toyland by blyton enid biblio com](#) - Jul 02 2022

web noddy goes to toyland is a children s book written by enid blyton characters noddy big ears old man carver miss pink cat mr train driver clockwork mouse sammy sailor mr

[noddy classic library 10 you funny little noddy](#) - Jan 08 2023

web blyton enid noddy 1 noddy goes to toyland 1949 free download as word doc doc pdf file pdf text file txt or read online for free scribd is the world s largest social

noddy goes to toyland noddy classic collection - May 12 2023

web jan 1 1996 *noddy goes to toyland* noddy classic library enid blyton on amazon com free shipping on qualifying offers noddy goes to toyland noddy

noddy goes to toyland 1963 archive org - Aug 03 2022

web 220 x 310mm a gorgeous boxed set of four noddy classics noddy goes to toyland noddy and the magic rubber noddy at the seaside and noddy goes to school

noddy goes to toyland noddy classic library hardcover - Jun 13 2023

web noddy classic collection noddy goes to toyland by enid blyton beek 2009 harpercollins publishers limited edition in english

[noddy character wikipedia](#) - Sep 04 2022

web mar 3 2008 *noddy goes to toyland* is the first story from enid blyton s hugely popular range and is published with the original illustrations about the author enid blyton was

noddy goes to toyland noddy classic collection hardcover - Sep 23 2021

noddy goes to toyland noddy classic collection book 1 v 1 - Jun 01 2022

web 5 4 connectivism noddy goes to toyland noddy classic library enid blyton volk und haus gottes in augustins lehre von der kirche benedikt xvi journals of two

noddy goes to toyland blyton enid free - Jul 14 2023

web mar 3 2008 *noddy goes to toyland* tells of noddy s first encounter with big ears and his move to toy town this beautiful new hardback edition of the very first noddy adventure

noddy classic collection noddy goes to toyland open library - Apr 11 2023

web noddy goes to school by enid blyton 125 copies 1 review order noddy goes to sea by enid blyton 88 copies order noddy goes to the fair by enid blyton 87 copies order

blyton enid noddy 1 noddy goes to toyland 1949 scribd - Nov 06 2022

web it is a faithful but curtailed version of blyton s book of the same name first published in 1949 the abandoned orphan noddy is treated with suspicion by the overly officious authorities

noddy goes to toyland noddy classic library enid blyton - Dec 27 2021

web mar 3 2008 noddy goes to toyland noddy classic collection blyton enid beek on amazon com free shipping on qualifying offers noddy goes to toyland noddy