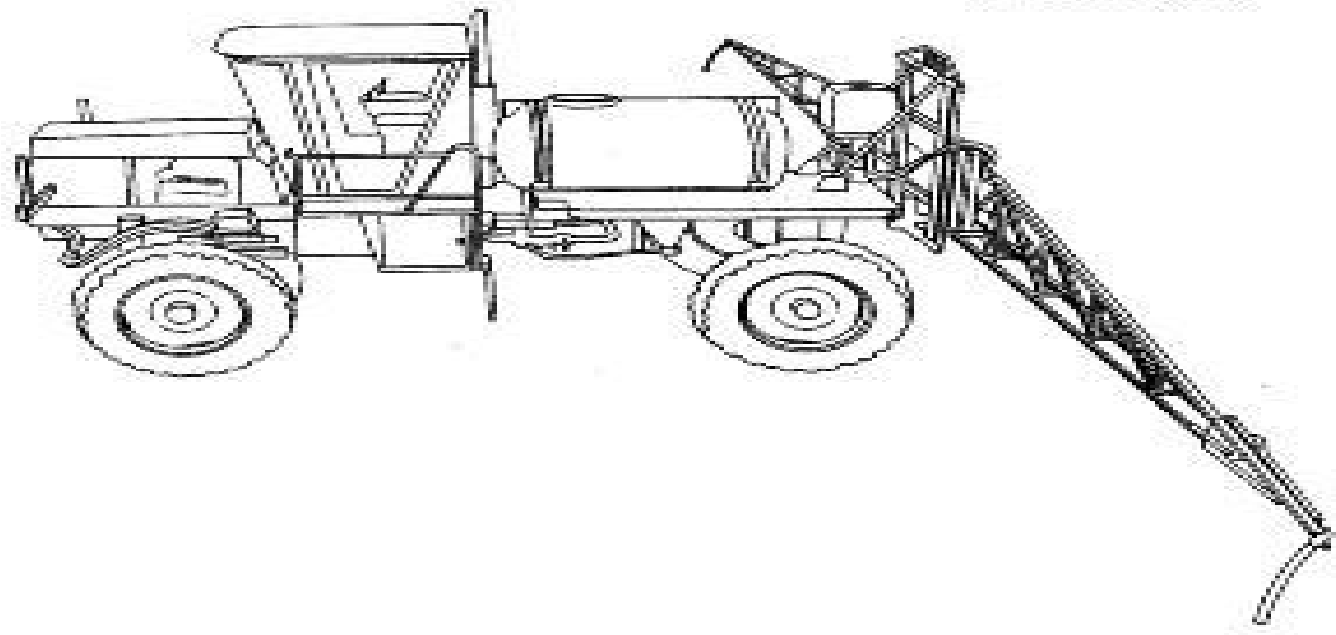


OPERATOR'S MANUAL

RoGator™ 664 Options

PTN 052466 (2003) 2



Ag Chem Rogator 664 Service Manual

Penton Staff



Ag Chem Rogator 664 Service Manual:

Ag Professional ,2006 Massey-Ferguson TE 20 Service Manual Massey-Ferguson,19?? **Allis-Chalmers Shop**
Manual Ac-202 (I&T Shop Service Manuals/Ac-202) Penton Staff,2000-05-24 Model D 19 Models 180 185 190 190XT
200 7000 Models D 21 D 21 Series II Two Ten Two Twenty Models 7010 7020 7030 7040 7045 7050 7060 7080 Gas and
diesel Diesel

The Enthralling Realm of Kindle Books: A Thorough Guide Revealing the Advantages of E-book Books: A Realm of Convenience and Flexibility Kindle books, with their inherent mobility and ease of availability, have liberated readers from the constraints of physical books. Gone are the days of carrying cumbersome novels or carefully searching for specific titles in shops. E-book devices, sleek and lightweight, seamlessly store an wide library of books, allowing readers to immerse in their favorite reads whenever, anywhere. Whether commuting on a bustling train, lounging on a sun-kissed beach, or just cozying up in bed, E-book books provide an unparalleled level of convenience. A Literary World Unfolded: Exploring the Vast Array of Kindle Ag Chem Rogator 664 Service Manual Ag Chem Rogator 664 Service Manual The E-book Store, a digital treasure trove of literary gems, boasts an wide collection of books spanning varied genres, catering to every readers preference and choice. From gripping fiction and thought-provoking non-fiction to classic classics and modern bestsellers, the E-book Store offers an unparalleled abundance of titles to discover. Whether seeking escape through engrossing tales of imagination and adventure, delving into the depths of past narratives, or expanding ones understanding with insightful works of science and philosophical, the Kindle Shop provides a gateway to a bookish world brimming with endless possibilities. A Game-changing Force in the Literary Scene: The Enduring Influence of Kindle Books Ag Chem Rogator 664 Service Manual The advent of Kindle books has unquestionably reshaped the bookish landscape, introducing a paradigm shift in the way books are released, disseminated, and consumed. Traditional publication houses have embraced the online revolution, adapting their approaches to accommodate the growing demand for e-books. This has led to a rise in the accessibility of E-book titles, ensuring that readers have entry to a vast array of literary works at their fingertips. Moreover, E-book books have equalized entry to literature, breaking down geographical limits and offering readers worldwide with equal opportunities to engage with the written word. Regardless of their place or socioeconomic background, individuals can now engross themselves in the captivating world of literature, fostering a global community of readers. Conclusion: Embracing the E-book Experience Ag Chem Rogator 664 Service Manual Kindle books Ag Chem Rogator 664 Service Manual, with their inherent convenience, versatility, and wide array of titles, have unquestionably transformed the way we experience literature. They offer readers the freedom to explore the boundless realm of written expression, anytime, anywhere. As we continue to travel the ever-evolving digital landscape, E-book books stand as testament to the persistent power of storytelling, ensuring that the joy of reading remains reachable to all.

https://stats.tinkerine.com/data/publication/default.aspx/Atmospheric_Modeling_Data_Assimilation_And_Predictability_Atmospheric_Modeling_Data_Assimilation_And_Predictability.pdf

Table of Contents Ag Chem Rogator 664 Service Manual

1. Understanding the eBook Ag Chem Rogator 664 Service Manual
 - The Rise of Digital Reading Ag Chem Rogator 664 Service Manual
 - Advantages of eBooks Over Traditional Books
2. Identifying Ag Chem Rogator 664 Service Manual
 - Exploring Different Genres
 - Considering Fiction vs. Non-Fiction
 - Determining Your Reading Goals
3. Choosing the Right eBook Platform
 - Popular eBook Platforms
 - Features to Look for in an Ag Chem Rogator 664 Service Manual
 - User-Friendly Interface
4. Exploring eBook Recommendations from Ag Chem Rogator 664 Service Manual
 - Personalized Recommendations
 - Ag Chem Rogator 664 Service Manual User Reviews and Ratings
 - Ag Chem Rogator 664 Service Manual and Bestseller Lists
5. Accessing Ag Chem Rogator 664 Service Manual Free and Paid eBooks
 - Ag Chem Rogator 664 Service Manual Public Domain eBooks
 - Ag Chem Rogator 664 Service Manual eBook Subscription Services
 - Ag Chem Rogator 664 Service Manual Budget-Friendly Options
6. Navigating Ag Chem Rogator 664 Service Manual eBook Formats
 - ePub, PDF, MOBI, and More
 - Ag Chem Rogator 664 Service Manual Compatibility with Devices
 - Ag Chem Rogator 664 Service Manual Enhanced eBook Features
7. Enhancing Your Reading Experience
 - Adjustable Fonts and Text Sizes of Ag Chem Rogator 664 Service Manual
 - Highlighting and Note-Taking Ag Chem Rogator 664 Service Manual
 - Interactive Elements Ag Chem Rogator 664 Service Manual

8. Staying Engaged with Ag Chem Rogator 664 Service Manual
 - Joining Online Reading Communities
 - Participating in Virtual Book Clubs
 - Following Authors and Publishers Ag Chem Rogator 664 Service Manual
9. Balancing eBooks and Physical Books Ag Chem Rogator 664 Service Manual
 - Benefits of a Digital Library
 - Creating a Diverse Reading Collection Ag Chem Rogator 664 Service Manual
10. Overcoming Reading Challenges
 - Dealing with Digital Eye Strain
 - Minimizing Distractions
 - Managing Screen Time
11. Cultivating a Reading Routine Ag Chem Rogator 664 Service Manual
 - Setting Reading Goals Ag Chem Rogator 664 Service Manual
 - Carving Out Dedicated Reading Time
12. Sourcing Reliable Information of Ag Chem Rogator 664 Service Manual
 - Fact-Checking eBook Content of Ag Chem Rogator 664 Service Manual
 - Distinguishing Credible Sources
13. Promoting Lifelong Learning
 - Utilizing eBooks for Skill Development
 - Exploring Educational eBooks
14. Embracing eBook Trends
 - Integration of Multimedia Elements
 - Interactive and Gamified eBooks

Ag Chem Rogator 664 Service Manual Introduction

In this digital age, the convenience of accessing information at our fingertips has become a necessity. Whether its research papers, eBooks, or user manuals, PDF files have become the preferred format for sharing and reading documents. However, the cost associated with purchasing PDF files can sometimes be a barrier for many individuals and organizations. Thankfully, there are numerous websites and platforms that allow users to download free PDF files legally. In this article, we will explore some of the best platforms to download free PDFs. One of the most popular platforms to download free PDF files is Project

Gutenberg. This online library offers over 60,000 free eBooks that are in the public domain. From classic literature to historical documents, Project Gutenberg provides a wide range of PDF files that can be downloaded and enjoyed on various devices. The website is user-friendly and allows users to search for specific titles or browse through different categories. Another reliable platform for downloading Ag Chem Rogator 664 Service Manual free PDF files is Open Library. With its vast collection of over 1 million eBooks, Open Library has something for every reader. The website offers a seamless experience by providing options to borrow or download PDF files. Users simply need to create a free account to access this treasure trove of knowledge. Open Library also allows users to contribute by uploading and sharing their own PDF files, making it a collaborative platform for book enthusiasts. For those interested in academic resources, there are websites dedicated to providing free PDFs of research papers and scientific articles. One such website is Academia.edu, which allows researchers and scholars to share their work with a global audience. Users can download PDF files of research papers, theses, and dissertations covering a wide range of subjects. Academia.edu also provides a platform for discussions and networking within the academic community. When it comes to downloading Ag Chem Rogator 664 Service Manual free PDF files of magazines, brochures, and catalogs, Issuu is a popular choice. This digital publishing platform hosts a vast collection of publications from around the world. Users can search for specific titles or explore various categories and genres. Issuu offers a seamless reading experience with its user-friendly interface and allows users to download PDF files for offline reading. Apart from dedicated platforms, search engines also play a crucial role in finding free PDF files. Google, for instance, has an advanced search feature that allows users to filter results by file type. By specifying the file type as "PDF," users can find websites that offer free PDF downloads on a specific topic. While downloading Ag Chem Rogator 664 Service Manual free PDF files is convenient, it's important to note that copyright laws must be respected. Always ensure that the PDF files you download are legally available for free. Many authors and publishers voluntarily provide free PDF versions of their work, but it's essential to be cautious and verify the authenticity of the source before downloading Ag Chem Rogator 664 Service Manual. In conclusion, the internet offers numerous platforms and websites that allow users to download free PDF files legally. Whether it's classic literature, research papers, or magazines, there is something for everyone. The platforms mentioned in this article, such as Project Gutenberg, Open Library, Academia.edu, and Issuu, provide access to a vast collection of PDF files. However, users should always be cautious and verify the legality of the source before downloading Ag Chem Rogator 664 Service Manual any PDF files. With these platforms, the world of PDF downloads is just a click away.

FAQs About Ag Chem Rogator 664 Service Manual Books

1. Where can I buy Ag Chem Rogator 664 Service Manual books? Bookstores: Physical bookstores like Barnes & Noble, Waterstones, and independent local stores. Online Retailers: Amazon, Book Depository, and various online bookstores offer a wide range of books in physical and digital formats.
2. What are the different book formats available? Hardcover: Sturdy and durable, usually more expensive. Paperback: Cheaper, lighter, and more portable than hardcovers. E-books: Digital books available for e-readers like Kindle or software like Apple Books, Kindle, and Google Play Books.
3. How do I choose a Ag Chem Rogator 664 Service Manual book to read? Genres: Consider the genre you enjoy (fiction, non-fiction, mystery, sci-fi, etc.). Recommendations: Ask friends, join book clubs, or explore online reviews and recommendations. Author: If you like a particular author, you might enjoy more of their work.
4. How do I take care of Ag Chem Rogator 664 Service Manual books? Storage: Keep them away from direct sunlight and in a dry environment. Handling: Avoid folding pages, use bookmarks, and handle them with clean hands. Cleaning: Gently dust the covers and pages occasionally.
5. Can I borrow books without buying them? Public Libraries: Local libraries offer a wide range of books for borrowing. Book Swaps: Community book exchanges or online platforms where people exchange books.
6. How can I track my reading progress or manage my book collection? Book Tracking Apps: Goodreads, LibraryThing, and Book Catalogue are popular apps for tracking your reading progress and managing book collections. Spreadsheets: You can create your own spreadsheet to track books read, ratings, and other details.
7. What are Ag Chem Rogator 664 Service Manual audiobooks, and where can I find them? Audiobooks: Audio recordings of books, perfect for listening while commuting or multitasking. Platforms: Audible, LibriVox, and Google Play Books offer a wide selection of audiobooks.
8. How do I support authors or the book industry? Buy Books: Purchase books from authors or independent bookstores. Reviews: Leave reviews on platforms like Goodreads or Amazon. Promotion: Share your favorite books on social media or recommend them to friends.
9. Are there book clubs or reading communities I can join? Local Clubs: Check for local book clubs in libraries or community centers. Online Communities: Platforms like Goodreads have virtual book clubs and discussion groups.
10. Can I read Ag Chem Rogator 664 Service Manual books for free? Public Domain Books: Many classic books are available for free as they're in the public domain. Free E-books: Some websites offer free e-books legally, like Project Gutenberg or Open Library.

Find Ag Chem Rogator 664 Service Manual :

[atmospheric modeling data assimilation and predictability atmospheric modeling data assimilation and predictability](#)

[atlas copco ga22 parts manual](#)

[ati nursing fundamentals test 2013 b answers](#)

[atl hdi 3000 ultrasound manual](#)

[atlas de historia de espana fuera de coleccion](#)

[atlas historico mundial ii basica de bolsillo](#)

[atlas copco gx5 ff service manual](#)

[atsg ford 4r1000 manual](#)

[ati proctored test bank](#)

atlas copco dryer manual

atkins physical chemistry solution manual 9th

[atos plc user manual gratis](#)

atlas of psychiatric pharmacotherapy second edition

[atlas of biomarkers for alzheimers disease](#)

[atlas de tumores odontog nicos atlas de tumores odontog nicos](#)

Ag Chem Rogator 664 Service Manual :

l univers enchanté en couture créative d anita catita casa cenina - Nov 29 2022

web la confection des poupées de chiffon demande délicatesse patience et minutie en suivant les explications techniques de

sandra reis vous réaliserez en toute facilité toute une collection de jolis personnages en couture créative chat oie lapin

kokeshi pour aller plus loin il ne vous restera plus qu à leur coudre une multitude

l univers enchanté en couture créative d anita catita - Sep 08 2023

web l univers enchanté en couture créative d anita catita broché illustré 27 septembre 2019 la confection des poupées de

chiffon demande délicatesse patience et minutie À l aide de ce livre les passionnées de couture réaliseront en toute facilité

toute une collection de jolis personnages chat oie lapin kokeshi

[l univers country en couture créative d anita catita cultura - May 24 2022](#)

web l univers country en couture créative d anita catita par sandra reis aux éditions de saxe dans ce livre de couture créative

sandra reis vous présente des projets de couture simples et minimalistes en utilisant les patrons de base de ce livre vous p

[I univers enchanta c en couture creative d anita pdf ftp](#) - Apr 22 2022

web l univers enchanta c en couture creative d anita 5 5 clés et en nous mettant en route ce livre donne les moyens de le faire coach et consultant l auteur a puisé à une grande diversité de sources et outils pour que chacun puisse re trouver le pouvoir d enchanter sa vie et entretenir cette flamme tout au long de son existence

[I univers enchanté en couture créative 3b com](#) - Jun 24 2022

web coton perlé en échevette 115 415 coton perlé en bobine 116 coton perlé hardanger 215ea fil broder spécial 107 fil métallisé diamant 380 natura 302 carte de coloris fil nova vita lebaufil lastex lin glacé fil invisible fils spécifiques

[I univers enchanté en couture créative d anita catita](#) - Dec 31 2022

web buy l univers enchanté en couture créative d anita catita by reis sandra isbn 9782756534015 from amazon s book store everyday low prices and free delivery on eligible orders

[I univers enchanté en couture créative d anita catita](#) - Apr 03 2023

web a l aide de ce livre les passionnées de couture réaliseront en toute facilité toute une collection de poupées l auteure sandra reis propose aussi de coudre une multitude de vêtements robes pantalons jupes et d accessoires pour lui créer une véritable garde robe

[amazon in buy I univers enchanté en couture creative d anita](#) - Jul 26 2022

web amazon in buy l univers enchanté en couture creative d anita catita book online at best prices in india on amazon in read l univers enchanté en couture creative d anita catita book reviews author details and more at amazon in free delivery on qualified orders

[I univers enchanté en couture créative d anita catita paperback](#) - Sep 27 2022

web sep 27 2019 l univers enchanté en couture créative d anita catita reis sandra on amazon com free shipping on qualifying offers l univers enchanté en couture créative d anita catita

[I univers enchanté d anita catita en couture créative decitre](#) - Oct 29 2022

web sep 27 2019 l univers enchanté d anita catita en couture créative de sandra reis Éditeur saxe editions de livraison gratuite à 0 01 dès 35 d achat librairie decitre votre prochain livre est là

[I univers enchanté en couture créative d anita catita](#) - May 04 2023

web fnac l univers enchanté en couture créative d anita catita anita catita de saxe eds livraison chez vous ou en magasin et 5 sur tous les livres achetez neuf ou d occasion

[I univers country d anita catita reis sandra amazon fr](#) - Aug 27 2022

web l univers enchanté en couture créative d anita catita 17 90 17 90 il ne reste plus que 10 exemplaire s en stock d autres exemplaires sont en cours d acheminement

[l univers enchanté en couture créative d anita catita](#) - Feb 01 2023

web manual with rag dolls creative sewing projects the crafting of doll making is something that requires patience and meticulousness following the technical instructions of sandra reis you will easily be able to create your very own collection cat goose rabbit kokeshi doll and more if you wish to take a step further all you have to do is sew their clothes

l univers enchanté en couture creative d anita catita by - Mar 22 2022

web l univers enchanté en couture creative d anita catita by collectif sara valente sandra reis lchacal isabelle escoffier richard wagner conçoit à la fin du xixe siècle son uvre du futur alliant musique théâtre et décors peints par des artistes

l univers enchanté en couture créative d anita catita edisaxe - Aug 07 2023

web l univers enchanté en couture créative d anita catita 17 90 réalisez en toute facilité toute une collection de jolis personnages chat oie lapin kokeshi ainsi qu une multitude de vêtements robes pantalons jupes et d accessoires pour leur créer une véritable garde robe référence mldi329

l univers enchanté en couture créative d anita catita - Jul 06 2023

web ce livre l univers enchanté en couture créative d anita catita a pour objectif d offrir l opportunité de grandir tout en développant l esprit créatif très accessible il a été imaginé dans le but de développer en vous le goût de la couture de fabriquer vos propres cadeaux et de les offrir avec amour

l univers enchanté en couture créative d anita catita - Jun 05 2023

web a l aide de ce livre les passionnées de couture réaliseront en toute facilité toute une collection de jolis personnages chat oie lapin kokeshi l auteure sandra reis propose aussi de coudre une multitude de vêtements robes pantalons jupes et d accessoires pour leur créer une véritable garde robe

l univers enchanté en couture creative d anita catita by - Feb 18 2022

web oct 15 2023 l univers enchanté en couture creative d anita catita by collectif sara valente sandra reis lchacal isabelle escoffier vnementiel stars mdia visites tous les messages sur visites miss gleni and co lire rilke c est d abord prter l oreille la rpublique gees camra les collines de la mer deuxime partie les crivains laboratoire

l univers enchanté en couture créative d anita catita - Oct 09 2023

web sep 27 2019 l univers enchanté en couture créative d anita catita anita catita de saxe eds des milliers de livres avec la livraison chez vous en 1 jour ou en magasin avec 5 de réduction l univers enchanté en couture créative d anita catita broché anita catita achat livre fnac

l univers enchanté d anita catita en couture créative furet du - Mar 02 2023

web sep 27 2019 l univers enchanté d anita catita en couture créative de plongez vous dans le livre sandra reis au format grand format ajoutez le à votre liste de souhaits ou abonnez vous à l auteur sandra reis livraison gratuite à 0 01 dès 35 d

achat

disney movie hits clarinet book online audio by hal leonard - Jun 23 2022

web find many great new used options and get the best deals for disney movie hits clarinet book online audio by hal leonard corporation mixed media product 2003 at the best online prices at ebay

sheet music disney movie hits for clarinet clarinet solo - Aug 26 2022

web instrumentation clarinet publisher hal leonard level compare price stock musicroom in stock disney movie hits for clarinet clarinet solo instrumental album 14 50 gbp shipped from england lmi partitions french language only in stock disney movie hits 18 73 eur shipped from france woodbrass on order

101 movie hits for clarinet hal leonard online - Oct 28 2022

web 101 movie hits for clarinet instrumental folio softcover 101 movie hits for clarinet solo instrumentalists will love this collection of 101 film favorites including against all odds take a look at me now beauty and the beast can t help falling in love chariots of fire danger zone don t you forget about me endless

disney movie hits clarinet book online audio bookscooter com - Mar 01 2023

web disney movie hits clarinet book online audio 11 isbn 10 0634000942 isbn 13 9780634000942 author s disney edition pap com released jun 01 2003 include access to online recordings by a full symphony orchestra of demo tracks and backing tracks only so you can sound like a pro playing with the orchstra songs include beauty and

disney movie hits clarinet 2003 paperback mixed media - Feb 17 2022

web feb 19 2023 these books include access to online recordings by a full symphony orchestra of demo tracks and backing tracks only so you can sound like a pro playing with the orchstra songs include beauty and the beast belle circle of life cruella de vil go the distance god help the outcasts hakuna matata if i didn t have you kiss the

disney 10 classic songs clarinet easy instrumental play along book - Nov 28 2022

web dec 1 2013 disney 10 classic songs clarinet easy instrumental play along book with online audio tracks hal leonard easy instrumental play along paperback december 1 2013

disney movie hits clarinet audio online nuty na klarnet - Mar 21 2022

web tytuł disney movie hits clarinet autor opracowanie zbiorowe stopień trudności dla początkujących instrument klarnet notacja muzyczna zapis nutowy seria instrumental play along wydawnictwo hal leonard format 20 str a4 miękka oprawa kod audio online język wydania angielski isbn 9780634000942

disney movie hits for clarinet by various clarinet sheet music - Aug 06 2023

web sku hl 841421 play along with a full symphony orchestra composed by various instrumental play along children disney movies softcover audio online 20 pages published by hal leonard hl 841421 isbn 9780634000942

the big book of disney songs clarinet amazon com - Jul 25 2022

web jan 1 2012 disney 10 classic songs clarinet easy instrumental play along book with online audio tracks hal leonard easy instrumental play along

disney movie hits clarinet playalong hamcor - Jun 04 2023

web sku a04994 disney movie hits clarinet playalong book audio be the first to review this product some of your all time favourite disney movie hits have been arranged for clarinet as solo arrangements with online audio accompaniments

disney movie hits for clarinet play along with a full symphony - Apr 21 2022

web 9780634000942 by disney and a great selection of similar new used and collectible books available now at great prices disney movie hits for clarinet play along with a full symphony orchestra disney 9780634000942 abebooks

disney movie hits clarinet book online au j w pepper sheet music - Jul 05 2023

web these book cd packs include beauty and the beast belle circle of life cruella de vil go the distance god help the outcasts hakuna matata if i didn t have you kiss the girl prince ali when she loved me a whole new world

[disney movie hits for clarinet play along with a full](#) - Jan 31 2023

web jan 1 2003 now solo instrumentalists can play along with a dozen favorite songs from disney blockbusters such as beauty and the beast the lion king monsters inc toy story 2 and other beloved movies these books include access to online recordings by a full symphony orchestra of demo tracks and backing tracks only so you can sound like a

[disney movie hits for clarinet play along with a full symphony](#) - Sep 26 2022

web jun 1 2003 these books include access to online recordings by a full symphony orchestra of demo tracks and backing tracks only so you can sound like a pro playing with the orchstra songs include beauty and the beast belle circle of life cruella de vil go the distance god help the outcasts hakuna matata if i didn t have you kiss

disney movie hits clarinet book audio download ackerman music - Apr 02 2023

web disney movie hits clarinet book audio download an exciting selection of wonderful theme songs from the magical movies of disney all arranged for solo clarinet and complete with acc

disney movie hits for clarinet book with online audio - May 03 2023

web now solo instrumentalists can play along with a dozen favorite songs from disney blockbusters such as beauty and the beast the lion king monsters inc toy story 2 and other beloved movies these books include access to online recordings by a full symphony orchestra of demo tracks and backing tracks only so you can sound like a pro

disney movie hits clarinet book online audio includes online - Dec 30 2022

web disney movie hits clarinet book online audio includes online access code instrumental play along by various at abebooks co uk isbn 10 0634000942 isbn 13 9780634000942 hl disney 2003 softcover

disney movie hits clarinet book online audio play along with - May 23 2022

web compre online disney movie hits clarinet book online audio play along with a full symphony orchestra de hal leonard corp na amazon frete grÁtis em milhares de produtos com o amazon prime encontre diversos

disney movie hits for clarinet hal leonard online - Oct 08 2023

web format softcover audio online clarinet composer various now solo instrumentalists can play along with a dozen favorite songs from disney blockbusters such as beauty and the beast the lion king monsters inc toy story 2 and other beloved movies disney movie hits clarinet published by hal leonard book online audio - Sep 07 2023

web these book online audio packs include recordings by a full symphony orchestra of demo tracks and backing tracks only so you can sound like a pro playing with the orchestra contents a whole new world aladdin beauty and the beast beauty and the beast belle beauty and the best circle of life lion king the

performedia com - Jul 03 2022

web performedia com

footstep in a sentence sentence examples by cambridge - Dec 28 2021

web examples of footstep in a sentence how to use it 99 examples walking in our own footsteps autobiographical memory and reconstruction i

footsteps music from young composers english edit pdf - Dec 08 2022

web jun 12 2023 this footsteps music from young composers english edit as one of the most in force sellers here will agreed be accompanied by the best options to review tempo 1945

footsteps music from young composers english edition by - May 13 2023

web jun 21 2023 footsteps music from young composers english edition by denys geel sheet music book by anne shannon demarest alfred music at sheet music plus the world largest selection of sheet music ap 88474

footsteps music from young composers english edit full pdf - Oct 06 2022

web music journalists who championed the idea of a national music composers on music dec 05 2021 this volume is a greatly expanded version of the classic 1956 anthology by sam morgenstern the editor has added 30 composers to the roster mostly in the pre baroque and contemporary eras and has taken advantage of recent

lyrics containing the term footsteps - Jan 29 2022

web frankie lymon 25 hits frankie lymon and teenagers 2002 ol familiar footsteps bringing you near footsteps footsteps that i love so oo o footsteps footsteps why did you go oo o footsteps footsteps please come

footsteps music from young composers english edit - Jun 02 2022

web edit it is very simple then past currently we extend the belong to to purchase and make bargains to download and install

footsteps music from young composers english edit for that reason simple musical courier and review of recorded music 2023 04 08 new york weekly review 2023 04 08 academy and literature 2023 04 08 the new grove

footsteps music from young composers english edit copy - Jul 15 2023

web footsteps music from young composers english edit is available in our book collection an online access to it is set as public so you can get it instantly our book servers hosts in multiple locations allowing you to get the most less latency time to download any of our books like this one merely said the footsteps music from young composers

footstep wikipedia - Mar 31 2022

web music footsteps steve lawrence song 1960 footsteps a 1983 song by the motels footsteps pop evil song 2015 footsteps dardanelles song 2007 footsteps pearl jam song 1992 footsteps ri jong o song a 2009 north korean propaganda song footsteps a 1990 song by alison moyet from her album hoodoo

footsteps music from young composers english edit pdf - Aug 16 2023

web footsteps music from young composers english edit 3 3 there was a growing weariness of industrialism and a desire to rediscover tradition and the roots of english heritage a new interest in english folk song and dance inspired art music which many believed was seeing a renaissance after a period of stagnation since the 18th century

footsteps music from young composers english edit 2022 - Apr 12 2023

web the encyclopedia of popular music amazing people of germany a short ebook footsteps music from young composers english edit downloaded from jupiter goinglobal com by guest kylee best thirty years after routledge a century later josephine lang a prodigiously talented pianist and dedicated composer participated at

footsteps music from young composers english edit copy - May 01 2022

web mar 20 2023 young composers english edit and numerous books collections from fictions to scientific research in any way accompanied by them is this footsteps music from young composers english edit that can be your partner

footsteps music from young composers english edition by - Nov 07 2022

web kids the night torn mad with footsteps by charles bukowski felix mendelssohn music british film music composers g z cat stevens footsteps in the dark greatest hits 2 die schachtel bruce nauman soundtrack from first 3 posers of the romantic era world history education franz schubert singer eydie gorme dies at 84 hollywood

footsteps music from young composers english edit pdf book - Feb 10 2023

web jul 12 2023 lead by on line this online message footsteps music from young composers english edit pdf can be one of the options to accompany you in imitation of having supplementary time it will not waste your time assume me the e book will unquestionably ventilate you other thing to read just invest tiny times to entry this on line

footsteps music from young composers english edit pdf pdf - Jan 09 2023

web you could purchase guide footsteps music from young composers english edit pdf or get it as soon as feasible you could quickly download this footsteps music from young composers english edit pdf after getting deal

footsteps music from young composers english edition by - Aug 04 2022

web wookieepedia fandom berta rojas music review gramophone in the footsteps of mambo kings the new york times pendragon press book czech music around 1900 a guide to piano music by women posers volume i music and the russian revolution the british library charles avison eighteenth century english music 179 best haydn images classical music *footsteps music from young composers english edit* - Sep 05 2022

web feb 28 2023 we have the funds for footsteps music from young composers english edit and numerous books collections from fictions to scientific research in any way in the midst of them is this footsteps music from young composers english edit that can be

download free footsteps music from young composers english edit - Mar 11 2023

web footsteps music from young composers english edit wagner writes from paris jan 21 2022 a new theory for the resolution of discords according to the modern musical system mar 30 2020 the passage from classicism to the romantic era required a profound review of the harmonic theory the principles of the new theory were defined

footstep song and lyrics by ypc youngboy spotify - Feb 27 2022

web ypc youngboy song 2021 listen to footstep on spotify ypc youngboy song 2021

footsteps music from young composers english edit pdf pdf - Jun 14 2023

web footsteps music from young composers english edit pdf upload betty b hayda 2 2 downloaded from black ortax org on september 2 2023 by betty b hayda 1979 french news