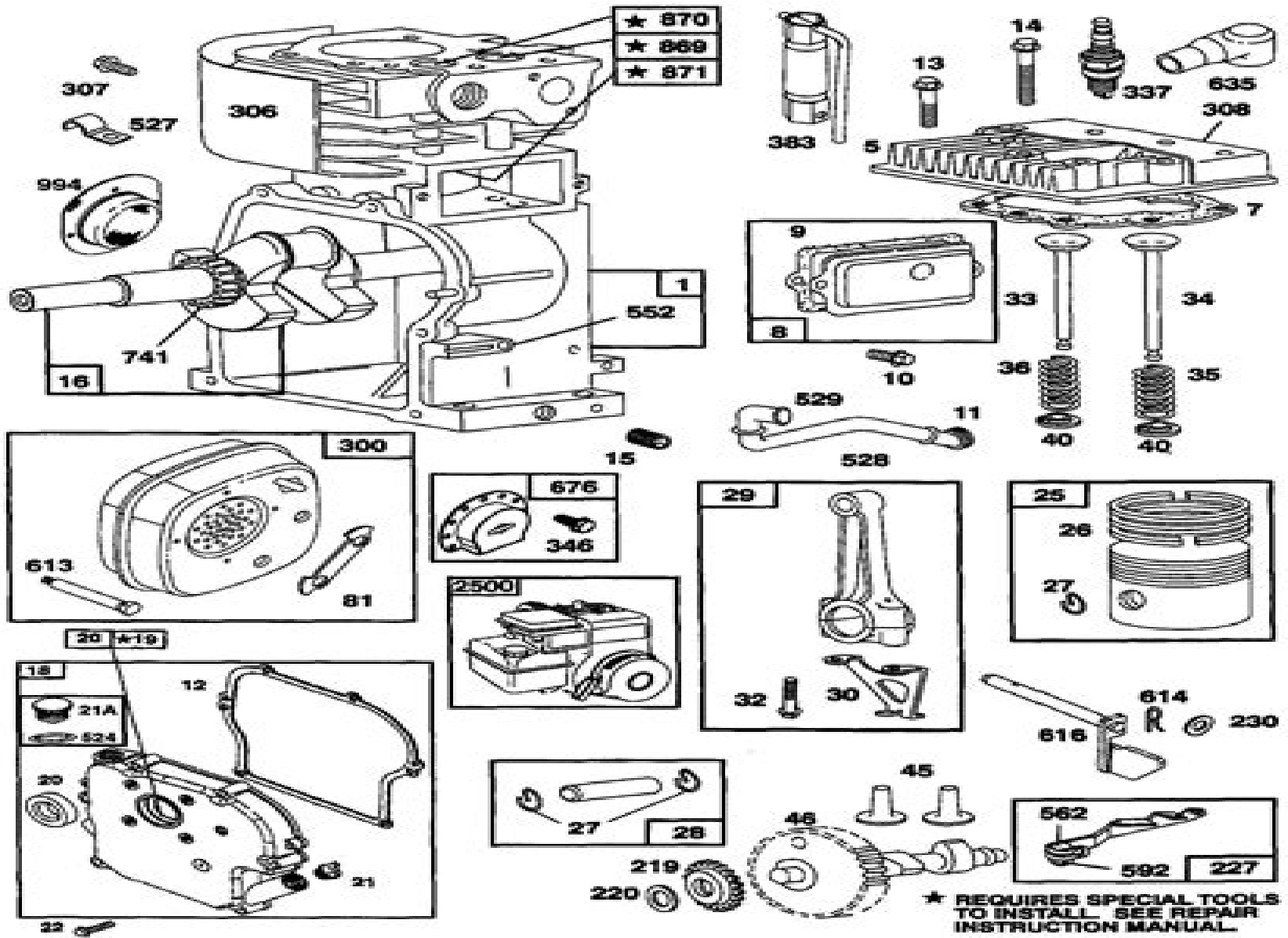


BRIGGS AND STRATTON ENGINE - MODEL NO. 137202-1117-E1



Bs 35 Engine Manual

Tao Wei



Bs 35 Engine Manual:

Immerse yourself in heartwarming tales of love and emotion with Explore Love with its touching creation, Experience Love's Journey in **Bs 35 Engine Manual** . This emotionally charged ebook, available for download in a PDF format (*), is a celebration of love in all its forms. Download now and let the warmth of these stories envelop your heart.

https://stats.tinkerine.com/About/detail/Documents/Biochemistry_Voet_4th_Edition_Solutions_Manual.pdf

Table of Contents Bs 35 Engine Manual

1. Understanding the eBook Bs 35 Engine Manual
 - The Rise of Digital Reading Bs 35 Engine Manual
 - Advantages of eBooks Over Traditional Books
2. Identifying Bs 35 Engine Manual
 - Exploring Different Genres
 - Considering Fiction vs. Non-Fiction
 - Determining Your Reading Goals
3. Choosing the Right eBook Platform
 - Popular eBook Platforms
 - Features to Look for in an Bs 35 Engine Manual
 - User-Friendly Interface
4. Exploring eBook Recommendations from Bs 35 Engine Manual
 - Personalized Recommendations
 - Bs 35 Engine Manual User Reviews and Ratings
 - Bs 35 Engine Manual and Bestseller Lists
5. Accessing Bs 35 Engine Manual Free and Paid eBooks
 - Bs 35 Engine Manual Public Domain eBooks
 - Bs 35 Engine Manual eBook Subscription Services
 - Bs 35 Engine Manual Budget-Friendly Options
6. Navigating Bs 35 Engine Manual eBook Formats

- ePub, PDF, MOBI, and More
 - Bs 35 Engine Manual Compatibility with Devices
 - Bs 35 Engine Manual Enhanced eBook Features
7. Enhancing Your Reading Experience
 - Adjustable Fonts and Text Sizes of Bs 35 Engine Manual
 - Highlighting and Note-Taking Bs 35 Engine Manual
 - Interactive Elements Bs 35 Engine Manual
 8. Staying Engaged with Bs 35 Engine Manual
 - Joining Online Reading Communities
 - Participating in Virtual Book Clubs
 - Following Authors and Publishers Bs 35 Engine Manual
 9. Balancing eBooks and Physical Books Bs 35 Engine Manual
 - Benefits of a Digital Library
 - Creating a Diverse Reading Collection Bs 35 Engine Manual
 10. Overcoming Reading Challenges
 - Dealing with Digital Eye Strain
 - Minimizing Distractions
 - Managing Screen Time
 11. Cultivating a Reading Routine Bs 35 Engine Manual
 - Setting Reading Goals Bs 35 Engine Manual
 - Carving Out Dedicated Reading Time
 12. Sourcing Reliable Information of Bs 35 Engine Manual
 - Fact-Checking eBook Content of Bs 35 Engine Manual
 - Distinguishing Credible Sources
 13. Promoting Lifelong Learning
 - Utilizing eBooks for Skill Development
 - Exploring Educational eBooks
 14. Embracing eBook Trends
 - Integration of Multimedia Elements
 - Interactive and Gamified eBooks

Bs 35 Engine Manual Introduction

In the digital age, access to information has become easier than ever before. The ability to download Bs 35 Engine Manual has revolutionized the way we consume written content. Whether you are a student looking for course material, an avid reader searching for your next favorite book, or a professional seeking research papers, the option to download Bs 35 Engine Manual has opened up a world of possibilities. Downloading Bs 35 Engine Manual provides numerous advantages over physical copies of books and documents. Firstly, it is incredibly convenient. Gone are the days of carrying around heavy textbooks or bulky folders filled with papers. With the click of a button, you can gain immediate access to valuable resources on any device. This convenience allows for efficient studying, researching, and reading on the go. Moreover, the cost-effective nature of downloading Bs 35 Engine Manual has democratized knowledge. Traditional books and academic journals can be expensive, making it difficult for individuals with limited financial resources to access information. By offering free PDF downloads, publishers and authors are enabling a wider audience to benefit from their work. This inclusivity promotes equal opportunities for learning and personal growth. There are numerous websites and platforms where individuals can download Bs 35 Engine Manual. These websites range from academic databases offering research papers and journals to online libraries with an expansive collection of books from various genres. Many authors and publishers also upload their work to specific websites, granting readers access to their content without any charge. These platforms not only provide access to existing literature but also serve as an excellent platform for undiscovered authors to share their work with the world. However, it is essential to be cautious while downloading Bs 35 Engine Manual. Some websites may offer pirated or illegally obtained copies of copyrighted material. Engaging in such activities not only violates copyright laws but also undermines the efforts of authors, publishers, and researchers. To ensure ethical downloading, it is advisable to utilize reputable websites that prioritize the legal distribution of content. When downloading Bs 35 Engine Manual, users should also consider the potential security risks associated with online platforms. Malicious actors may exploit vulnerabilities in unprotected websites to distribute malware or steal personal information. To protect themselves, individuals should ensure their devices have reliable antivirus software installed and validate the legitimacy of the websites they are downloading from. In conclusion, the ability to download Bs 35 Engine Manual has transformed the way we access information. With the convenience, cost-effectiveness, and accessibility it offers, free PDF downloads have become a popular choice for students, researchers, and book lovers worldwide. However, it is crucial to engage in ethical downloading practices and prioritize personal security when utilizing online platforms. By doing so, individuals can make the most of the vast array of free PDF resources available and embark on a journey of continuous learning and intellectual growth.

FAQs About Bs 35 Engine Manual Books

How do I know which eBook platform is the best for me? Finding the best eBook platform depends on your reading preferences and device compatibility. Research different platforms, read user reviews, and explore their features before making a choice. Are free eBooks of good quality? Yes, many reputable platforms offer high-quality free eBooks, including classics and public domain works. However, make sure to verify the source to ensure the eBook credibility. Can I read eBooks without an eReader? Absolutely! Most eBook platforms offer web-based readers or mobile apps that allow you to read eBooks on your computer, tablet, or smartphone. How do I avoid digital eye strain while reading eBooks? To prevent digital eye strain, take regular breaks, adjust the font size and background color, and ensure proper lighting while reading eBooks. What the advantage of interactive eBooks? Interactive eBooks incorporate multimedia elements, quizzes, and activities, enhancing the reader engagement and providing a more immersive learning experience. Bs 35 Engine Manual is one of the best book in our library for free trial. We provide copy of Bs 35 Engine Manual in digital format, so the resources that you find are reliable. There are also many Ebooks of related with Bs 35 Engine Manual. Where to download Bs 35 Engine Manual online for free? Are you looking for Bs 35 Engine Manual PDF? This is definitely going to save you time and cash in something you should think about.

Find Bs 35 Engine Manual :

biochemistry voet 4th edition solutions manual

[bioinformatics and functional genomics by pevsner jonathan wiley blackwell2009 paperback 2nd edition](#)

[billy de nieuwe kameraad](#)

biochemistry seventh edition berg test bank

[bilgmon 488 instruction manual](#)

[biology 1408 lab manual answers inet](#)

[bimbo maker 10 bimbo maker series](#)

[bing carburetor tuning manual](#)

[billionaire romance the royals romance series an alpha billionaire romance collection](#)

[biofunktionalitt der lebensmittelinhaltsstoffe springer lehrbuch german edition](#)

[biology 1020 lab manual biodiversity the evolution and diversity of life](#)

bioethics and the law 2e

biobanks governance in comparative perspective

biochemistry applied brewing processes mashing
biological imaging and sensing 2004 05 27

Bs 35 Engine Manual :

Heroes by Cormier, Robert This a post-war story about Frenchtown in Canada, and about how all of the towns' inhabitants, especially the veterans, have been shaped by the war. Cormier ... Heroes (novel) Heroes is a 1998 novel written by Robert Cormier. The novel is centred on the character Francis Cassavant, who has just returned to his childhood home of ... Heroes by Robert Cormier A serious well written YA novel exploring the nature of heroism, set in post WW2 USA but managing to retain a timeless quality. Francis Cassavant returns to ... Heroes by Robert Cormier: 9780440227694 Francis Joseph Cassavant is eighteen. He has just returned home from the Second World War, and he has no face. He does have a gun and a mission: to murder. Book Review: Heroes by Robert Cormier - Sarah's Corner May 20, 2023 — The sense of complete loneliness and isolation Francis goes through are painful, and I felt for him and Nicole even though character development ... Heroes by Robert Cormier Plot Summary Aug 28, 2017 — After recovering in a veterans hospital in England, Francis returns home with one goal: to murder the man who had sent him to war, his childhood ... Heroes Heroes. Heroes. Robert Cormier. According to PW's starred review, this dark story of a WWII veteran who seeks revenge on an old mentor ""will hold fans from ... Heroes - Author Robert Cormier Francis Joseph Cassavant is eighteen. He has just returned home from the Second World War, and he has no face. He does have a gun and a mission: to murder ... Heroes by Robert Cormier Sep 30, 1999 — Tells a provocative story about the return home of teenage war hero and war victim, Francis Joseph Cassavant. This book gets to the heart of ... Heroes by Robert Cormier, Paperback Cormier's gripping stories explore some of the darker corners of the human psyche, but always with a moral focus and a probing intelligence that compel readers ... Maria de' Medici (1573-1642): una principessa fiorentina ... Title, Maria de' Medici (1573-1642): una principessa fiorentina sul trono di Francia Firenze musei ; Author, Museo degli argenti (Florence, Italy) ; Editors ... Maria de' Medici (1573-1642) : una principessa fiorentina ... by C Caneva · 2005 · Cited by 14 — Maria de' Medici (1573-1642) : una principessa fiorentina sul trono di Francia ... 383 p. : col. ill. Includes bibliographical references (p. 374-383). Catalogue ... Maria de' Medici (1573-1642) : una principessa fiorentina sul ... Maria de' Medici (1573-1642) : una principessa fiorentina sul trono di Francia · Genre: Biography · Physical Description: 1 online resource (383 pages) : color ... Maria De' Medici una principessa Fiorentina sul trono di ... Maria De' Medici (1573-1642) una principessa fiorentina sul trono di Francia ; Autore/i, Caterina Caneva, Francesco Solinas ; Editore, Sillabe, Luogo ; Anno, 2005 ... Maria de' Medici (1573-1642) : una principessa fiorentina ... Maria de' Medici (1573-1642) : una principessa fiorentina sul trono di Francia ; [Firenze, Palazzo Pitti, Museo degli Argenti 18 marzo - 4 settembre 2005] ... Maria de' Medici. 1573-1642. Una principessa fiorentina ... 1573-1642. Una principessa fiorentina sul

trono di Francia. Sillabe. A cura di Caneva C. e Solinas F. Firenze, Palazzo Pitti, Museo degli ... Medici. 1573-1642. Una principessa fiorentina sul trono di ... Maria de' Medici. 1573-1642. Una principessa fiorentina sul trono di Francia ; Numero oggetto. 385871035012 ; Brand. Sillabe ; Colore. Multicolore ; Descrizione. MARIA DE' MEDICI (1573-1642) MARIA DE' MEDICI (1573-1642). €30,00. Una principessa fiorentina sul trono di Francia. a cura di Caterina Caneva e Francesco Solinas. Sillabe, 2005. Catalogo ... Maria de' Medici (1573-1642): una principessa fiorentina ... *Maria de' Medici (1573-1642): una principessa fiorentina sul trono di Francia / a cura di Caterina Caneva e Francesco Solinas. - Livorno : Sillabe, [2005]. Prinz Max von Baden. Erinnerungen und Dokumente ... Prinz Max von Baden. Erinnerungen und Dokumente: Nachdruck der Originalausgabe. In Fraktur | von Baden, Prinz Max | ISBN: 9783863471101 | Kostenloser ... Prinz Max von Baden. Erinnerungen und Dokumente I ... Mit dem vorliegenden Werk liefert von Baden einen dramatischen wie präzisen Zeitzeugenbericht des 1. Weltkriegs. Dabei entwickelt seine minutiöse Aufzeichnung ... Prinz Max Von Baden. Erinnerungen Und Dokumente Mit dem vorliegenden Werk liefert von Baden einen dramatischen wie pr zisen Zeitzeugenbericht des 1. Weltkriegs. Dabei entwickelt seine minuti se Aufzeichnung ... prinz max baden - erinnerungen dokumente Erinnerungen und Dokumente. by Max Baden Prinz und Golo (Mitwirkender), Mann: and a great selection of related books, art and collectibles available now at ... Prinz Max von Baden. Erinnerungen und Dokumente [hrsg. ... Vermittlungshistoriographie, im guten Sinne. Frankfurt am Main. Hellmut Seier. Prinz Max von Baden. Erinnerungen und Dokumente. Hg. von Golo Mann und Andreas ... Prinz Max von Baden. Erinnerungen und Dokumente ... Vorliegende Abhandlung, die von Baden 1921 verfasste, bietet einen spannenden Einblick in zeitgenössische Ansichten von Badens über die politischen Verhältnisse ... Schreiben von Hermann Oncken an Prinz Max von Baden Mar 31, 2023 — Dokument. Schreiben von Hermann Oncken an Prinz Max von Baden; Einschätzung zur Publikation "Erinnerung und Dokumente". Mehr anzeigen Prinz Max von Baden. Erinnerungen und Dokumente Prinz Max von Baden. Erinnerungen und Dokumente: Reihe Deutsches Reich VIII/I-II. Aus Fraktur übertragen (Hardback) ; Publisher: Severus ; ISBN: 9783863471231 Max von Baden Erinnerungen und Dokumente. Band I. Deutsche Verlags-Anstalt, Stuttgart 1927 ... Prinz Max von Baden und seine Welt. Kohlhammer, Stuttgart 2016. ISBN 978-3 ... Prinz Max von Baden. Erinnerungen und Dokumente Baden, Max von Prinz Max von Baden. Erinnerungen und Dokumente - Teil 1 und 2 (Ebook - pdf) ; ISBN · 9783863471361 ; Anzahl der Seiten · 796 ; Verlag · Severus Verlag.