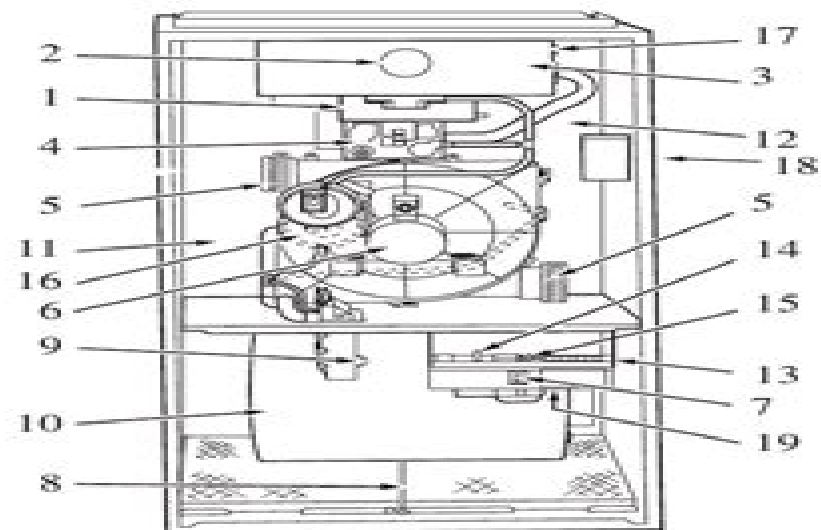


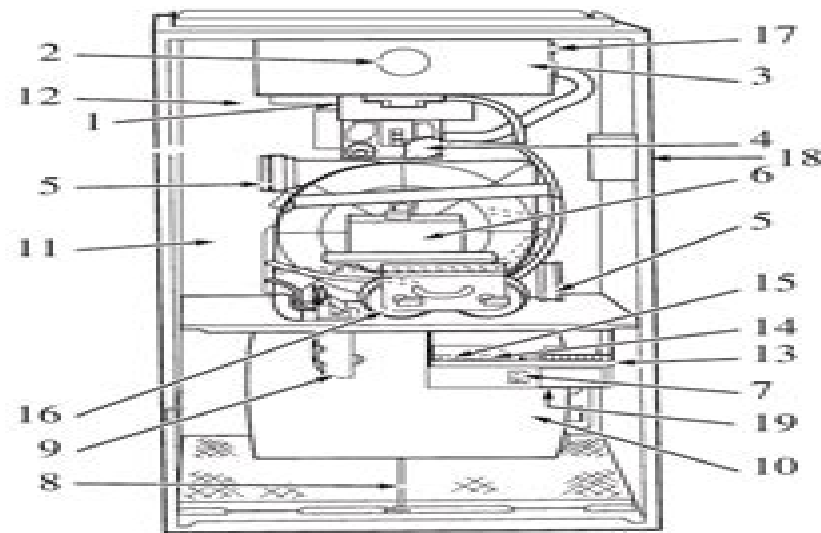
FURNACE COMPONENTS

- 1 Combustion-air intake connection to ensure contaminant-free air (right or left side).
- 2 Burner sight glass for viewing burner flame.
- 3 Burner assembly (inside). Operates with energy-saving inshot burners and hot surface igniter for safe, dependable heating.
- 4 Redundant gas valve. Safe and efficient. Features 1 gas control with 2 internal shutoff valves. Valve appearance varies with furnace model.
- 5 Vent outlet. Uses PVC pipe to carry flue gas from the furnace's combustion system (right or left side).
- 6 Inducer motor. Pulls hot flue gases through the heat exchangers, maintaining negative pressure for added safety.
- 7 Blower access panel safety interlock switch.
- 8 Air filter and retainer.
- 9 Condensate drain connection. Collects moisture condensed from burned gases for disposal into home drain system. (Location in furnace varies.)
- 10 Heavy-duty blower. Circulates air across the heat exchangers to transfer heat into the home.
- 11 Secondary condensing heat exchanger (inside). Wrings out more heat through condensation. Constructed with polypropylene-laminated steel to ensure durability.
- 12 Primary serpentine heat exchanger (inside). Stretches fuel dollars with the S-shaped heat-flow design. Solid construction of corrosion-resistant aluminized steel means reliability.
- 13 Furnace control board.
- 14 3-amp fuse provides electrical and component protection.
- 15 Light emitting diode (LED) on furnace control board. Code light is for diagnosing furnace operation and service requirements.
- 16 Pressure switch(es) ensure adequate flow of flue gas through furnace and out vent system.
- 17 Rollover switch (manual reset) to prevent overtemperature.
- 18 Junction box for 115-v electrical power supply. (May be located on right or left side)
- 19 Transformer (24v) behind furnace control board provides low-voltage power to furnace control board and thermostat.



**MODELS 340MAV, 350MAV,
AND 352MAV FURNACES
(UPFLOW POSITION)**

3



**MODEL 355MAV
FURNACE (UPFLOW POSITION)**

4

Bryant Model 350mav Parts Manual

Engine Service Association



Bryant Model 350mav Parts Manual:

Boughton Instruction & Parts Manual for Model C. 125 , Parts Manual for All "K" Models, 1952 to 1956
Harley-Davidson Motor Company,1956* **Maintenance Manual and Parts Catalog, Power Control Unit, Model HN.**
,1943 **Quick Reference Parts Manual** Engine Service Association,1976 **Service Parts Manual for 1948-1965**
Panheads ,2019-02 Service and parts manual is for 1948 1965 Panhead models Shop book includes service parts and dealer
tips for the models and years that are listed **Parts Manual** Caterpillar Inc. Peoria, Ill.,1992 **300 DME (Type**
CC-308A and CC-308 B) Cessna Aircraft Company,1971 *Aerojet Engine Service Manual* Aerojet-General
Corporation,195? *Briggs & Stratton Service and Parts Manual* Briggs & Stratton Corporation,19??

Uncover the mysteries within Explore with is enigmatic creation, **Bryant Model 350mav Parts Manual** . This downloadable ebook, shrouded in suspense, is available in a PDF format (PDF Size: *). Dive into a world of uncertainty and anticipation. Download now to unravel the secrets hidden within the pages.

https://stats.tinkerine.com/results/scholarship/index.jsp/A_Practical_Guide_To_Leadership_And_Management_In_Academic_Radiology.pdf

Table of Contents Bryant Model 350mav Parts Manual

1. Understanding the eBook Bryant Model 350mav Parts Manual
 - The Rise of Digital Reading Bryant Model 350mav Parts Manual
 - Advantages of eBooks Over Traditional Books
2. Identifying Bryant Model 350mav Parts Manual
 - Exploring Different Genres
 - Considering Fiction vs. Non-Fiction
 - Determining Your Reading Goals
3. Choosing the Right eBook Platform
 - Popular eBook Platforms
 - Features to Look for in an Bryant Model 350mav Parts Manual
 - User-Friendly Interface
4. Exploring eBook Recommendations from Bryant Model 350mav Parts Manual
 - Personalized Recommendations
 - Bryant Model 350mav Parts Manual User Reviews and Ratings
 - Bryant Model 350mav Parts Manual and Bestseller Lists
5. Accessing Bryant Model 350mav Parts Manual Free and Paid eBooks
 - Bryant Model 350mav Parts Manual Public Domain eBooks
 - Bryant Model 350mav Parts Manual eBook Subscription Services
 - Bryant Model 350mav Parts Manual Budget-Friendly Options

6. Navigating Bryant Model 350mav Parts Manual eBook Formats
 - ePub, PDF, MOBI, and More
 - Bryant Model 350mav Parts Manual Compatibility with Devices
 - Bryant Model 350mav Parts Manual Enhanced eBook Features
7. Enhancing Your Reading Experience
 - Adjustable Fonts and Text Sizes of Bryant Model 350mav Parts Manual
 - Highlighting and Note-Taking Bryant Model 350mav Parts Manual
 - Interactive Elements Bryant Model 350mav Parts Manual
8. Staying Engaged with Bryant Model 350mav Parts Manual
 - Joining Online Reading Communities
 - Participating in Virtual Book Clubs
 - Following Authors and Publishers Bryant Model 350mav Parts Manual
9. Balancing eBooks and Physical Books Bryant Model 350mav Parts Manual
 - Benefits of a Digital Library
 - Creating a Diverse Reading Collection Bryant Model 350mav Parts Manual
10. Overcoming Reading Challenges
 - Dealing with Digital Eye Strain
 - Minimizing Distractions
 - Managing Screen Time
11. Cultivating a Reading Routine Bryant Model 350mav Parts Manual
 - Setting Reading Goals Bryant Model 350mav Parts Manual
 - Carving Out Dedicated Reading Time
12. Sourcing Reliable Information of Bryant Model 350mav Parts Manual
 - Fact-Checking eBook Content of Bryant Model 350mav Parts Manual
 - Distinguishing Credible Sources
13. Promoting Lifelong Learning
 - Utilizing eBooks for Skill Development
 - Exploring Educational eBooks
14. Embracing eBook Trends
 - Integration of Multimedia Elements

-
- Interactive and Gamified eBooks

Bryant Model 350mav Parts Manual Introduction

Free PDF Books and Manuals for Download: Unlocking Knowledge at Your Fingertips In today's fast-paced digital age, obtaining valuable knowledge has become easier than ever. Thanks to the internet, a vast array of books and manuals are now available for free download in PDF format. Whether you are a student, professional, or simply an avid reader, this treasure trove of downloadable resources offers a wealth of information, conveniently accessible anytime, anywhere. The advent of online libraries and platforms dedicated to sharing knowledge has revolutionized the way we consume information. No longer confined to physical libraries or bookstores, readers can now access an extensive collection of digital books and manuals with just a few clicks. These resources, available in PDF, Microsoft Word, and PowerPoint formats, cater to a wide range of interests, including literature, technology, science, history, and much more. One notable platform where you can explore and download free Bryant Model 350mav Parts Manual PDF books and manuals is the internet's largest free library. Hosted online, this catalog compiles a vast assortment of documents, making it a veritable goldmine of knowledge. With its easy-to-use website interface and customizable PDF generator, this platform offers a user-friendly experience, allowing individuals to effortlessly navigate and access the information they seek. The availability of free PDF books and manuals on this platform demonstrates its commitment to democratizing education and empowering individuals with the tools needed to succeed in their chosen fields. It allows anyone, regardless of their background or financial limitations, to expand their horizons and gain insights from experts in various disciplines. One of the most significant advantages of downloading PDF books and manuals lies in their portability. Unlike physical copies, digital books can be stored and carried on a single device, such as a tablet or smartphone, saving valuable space and weight. This convenience makes it possible for readers to have their entire library at their fingertips, whether they are commuting, traveling, or simply enjoying a lazy afternoon at home. Additionally, digital files are easily searchable, enabling readers to locate specific information within seconds. With a few keystrokes, users can search for keywords, topics, or phrases, making research and finding relevant information a breeze. This efficiency saves time and effort, streamlining the learning process and allowing individuals to focus on extracting the information they need. Furthermore, the availability of free PDF books and manuals fosters a culture of continuous learning. By removing financial barriers, more people can access educational resources and pursue lifelong learning, contributing to personal growth and professional development. This democratization of knowledge promotes intellectual curiosity and empowers individuals to become lifelong learners, promoting progress and innovation in various fields. It is worth noting that while accessing free Bryant Model 350mav Parts Manual PDF books and manuals is convenient and cost-effective, it is vital to respect copyright laws and intellectual property rights. Platforms offering free downloads often operate within legal

boundaries, ensuring that the materials they provide are either in the public domain or authorized for distribution. By adhering to copyright laws, users can enjoy the benefits of free access to knowledge while supporting the authors and publishers who make these resources available. In conclusion, the availability of Bryant Model 350mav Parts Manual free PDF books and manuals for download has revolutionized the way we access and consume knowledge. With just a few clicks, individuals can explore a vast collection of resources across different disciplines, all free of charge. This accessibility empowers individuals to become lifelong learners, contributing to personal growth, professional development, and the advancement of society as a whole. So why not unlock a world of knowledge today? Start exploring the vast sea of free PDF books and manuals waiting to be discovered right at your fingertips.

FAQs About Bryant Model 350mav Parts Manual Books

How do I know which eBook platform is the best for me? Finding the best eBook platform depends on your reading preferences and device compatibility. Research different platforms, read user reviews, and explore their features before making a choice. Are free eBooks of good quality? Yes, many reputable platforms offer high-quality free eBooks, including classics and public domain works. However, make sure to verify the source to ensure the eBook credibility. Can I read eBooks without an eReader? Absolutely! Most eBook platforms offer webbased readers or mobile apps that allow you to read eBooks on your computer, tablet, or smartphone. How do I avoid digital eye strain while reading eBooks? To prevent digital eye strain, take regular breaks, adjust the font size and background color, and ensure proper lighting while reading eBooks. What the advantage of interactive eBooks? Interactive eBooks incorporate multimedia elements, quizzes, and activities, enhancing the reader engagement and providing a more immersive learning experience. Bryant Model 350mav Parts Manual is one of the best book in our library for free trial. We provide copy of Bryant Model 350mav Parts Manual in digital format, so the resources that you find are reliable. There are also many Ebooks of related with Bryant Model 350mav Parts Manual. Where to download Bryant Model 350mav Parts Manual online for free? Are you looking for Bryant Model 350mav Parts Manual PDF? This is definitely going to save you time and cash in something you should think about. If you trying to find then search around for online. Without a doubt there are numerous these available and many of them have the freedom. However without doubt you receive whatever you purchase. An alternate way to get ideas is always to check another Bryant Model 350mav Parts Manual. This method for see exactly what may be included and adopt these ideas to your book. This site will almost certainly help you save time and effort, money and stress. If you are looking for free books then you really should consider finding to assist you try this. Several of Bryant Model 350mav Parts Manual are for sale to free while some are payable. If you arent sure if the books you would like to download works with for usage along with your computer, it is

possible to download free trials. The free guides make it easy for someone to free access online library for download books to your device. You can get free download on free trial for lots of books categories. Our library is the biggest of these that have literally hundreds of thousands of different products categories represented. You will also see that there are specific sites catered to different product types or categories, brands or niches related with Bryant Model 350mav Parts Manual. So depending on what exactly you are searching, you will be able to choose e books to suit your own need. Need to access completely for Campbell Biology Seventh Edition book? Access Ebook without any digging. And by having access to our ebook online or by storing it on your computer, you have convenient answers with Bryant Model 350mav Parts Manual To get started finding Bryant Model 350mav Parts Manual, you are right to find our website which has a comprehensive collection of books online. Our library is the biggest of these that have literally hundreds of thousands of different products represented. You will also see that there are specific sites catered to different categories or niches related with Bryant Model 350mav Parts Manual So depending on what exactly you are searching, you will be able to choose ebook to suit your own need. Thank you for reading Bryant Model 350mav Parts Manual. Maybe you have knowledge that, people have search numerous times for their favorite readings like this Bryant Model 350mav Parts Manual, but end up in harmful downloads. Rather than reading a good book with a cup of coffee in the afternoon, instead they juggled with some harmful bugs inside their laptop. Bryant Model 350mav Parts Manual is available in our book collection an online access to it is set as public so you can download it instantly. Our digital library spans in multiple locations, allowing you to get the most less latency time to download any of our books like this one. Merely said, Bryant Model 350mav Parts Manual is universally compatible with any devices to read.

Find Bryant Model 350mav Parts Manual :

a practical guide to leadership and management in academic radiology

a mountainous journey a poet autobiography hardcover

~~a native new yorkers guide to the empire city~~

a primer on postmodernism a primer on postmodernism

~~a place to hide true stories of holocaust rescues scholastic biography~~

a rough ride to the future

a practical handbook of tree stump bonsai 2nd edition chinese edition

a memoir of no one in particular

a novel idea story structure tips for the break out novelist

a primer on mapping class groups a primer on mapping class groups

~~a roman villa inside story~~

~~a practical approach to trauma empowering interventions~~

a permanent vacation the plight of the urban refugee

~~a primer of conservation biology fifth edition~~

a midsummers nightmarebased on a true nightmare based on a true nightmare

Bryant Model 350mav Parts Manual :

jereh enviro lance un équipement complet lors du forum sur - Feb 28 2022

web nov 20 2023 alors que la demande en batteries lithium ion ne cesse de croître il est essentiel d'établir une utilisation secondaire de matériaux métalliques recyclés à partir de batteries en fin de vie pour la fabrication de nouvelles batteries selon le rapport global forecast pour 2031 le marché du recyclage des batteries lithium ion devrait

lyondellbasell construira une usine de recyclage avancé à - Jul 04 2022

web 9 hours ago d'autres facteurs qui pourraient faire en sorte que les résultats diffèrent considérablement de ceux décrits dans les énoncés prospectifs figurent dans la section facteurs de risques

rÉutiliser et recycler les ressources limitées et - Nov 08 2022

web statistiques sur le recyclage avant de réfléchir à la direction à prendre pour l'avenir en matière de recyclage nous devons évaluer la situation actuelle malheureusement à de rares exceptions près celle-ci n'est guère encourageante il y a près de dix ans un comité du groupe international des ressources des nations unies a

rapport sur les nouvelles techniques de recyclage - Jun 03 2022

web rapport sur les nouvelles techniques de recyclage internationales symposium verkehrstechnologien aug 29 2022

annuaire europeen 1999 european yearbook 1999 apr 12 2021 the european yearbook promotes the scientific study of nineteen european supranational organisations and the organisation for economic co operation and

rapport sur les nouvelles techniques de recyclage et de - Aug 05 2022

web february 21st 2020 rapport sur les nouvelles techniques de recyclage et de valorisation des déchets ménagers et des déchets industriels banals de france office parlementaire d'évaluation des choix scientifiques et technologiques avec serge poignant gérard miquel assemblée nationale

recycling latest news coverage cna - Mar 12 2023

web may 10 2023 about 6 more waste generated in singapore in 2022 recycling rate increased slightly 7 months ago 3 mins

de nouvelles techniques pour le recyclage des déchets - Dec 09 2022

web mar 18 2016 de nouvelles techniques pour le recyclage des déchets d'emballage alimentaire en plastique une initiative

de l'ue a développé un nouveau processus pour recycler les déchets plastique pour les emballages alimentaires

le salut du recyclage passera par la performance de son système - Feb 11 2023

web nov 13 2023 le recyclage se doit d'être une industrie comme les autres en quête de performance c'est le message clé du rapport recyclage vers des systèmes industriels performants pour une

rapport sur les nouvelles techniques de recyclage full pdf - Jun 15 2023

web rapport sur les nouvelles techniques de recyclage principes et recommandations concernant les recensements de la population et des logements troisième révision apr 16 2022 depuis ses débuts l'organisation des nations unies a publié une série de principes et recommandations

rapport sur les nouvelles techniques de recyclage pdf - Sep 18 2023

web comment organiser la gestion des déchets dans les prochaines années quels sont les conflits entre la population et les décideurs comment les anticiper quels sont les leviers économiques comment intégrer les progrès sanitaires et environnementaux une historienne de l'environnement un urbaniste un toxicologue et un ingénieur

overall waste generation and recycling rates increased in - May 14 2023

web 18 apr 2022 singapore s overall recycling rate improved from 52 per cent in 2020 to 55 per cent in 2021 singapore 18 april 2022 the national environment agency s nea latest waste and recycling statistics revealed that in 2021 about 6 94 million tonnes of solid waste was generated which was about 18 per cent more than the 5 88

les déchets d'adidas walmart et d'autres marques alimentent des - Apr 01 2022

web nov 20 2023 selon un autre rapport publié en 2018 par des universitaires britanniques de royal holloway de l'université de londres les déchets de l'industrie textile contiennent souvent des produits chimiques toxiques notamment de l'eau de javel du formaldéhyde et de l'ammoniac ainsi que des métaux lourds du pvc et des résines utilisées dans les

de nouvelles technologies pour recycler les déchets électroniques - Jul 16 2023

web mar 5 2020 nouvelle stratégie démonter trier broyer dissoudre le tri vise à réduire au maximum la complexité chimique du mélange à traiter ainsi que sa variabilité

france 2030 un tout nouveau programme pour accélérer le recyclage - Aug 17 2023

web jun 1 2023 enfin un projet ciblé mobilisera les acteurs des sciences humaines et sociales dans leur ensemble le projet société du réemploi et du recyclage s'intéressera à l'écologie politique et territoriale du recyclage au comportement des consommateurs au regard des nouvelles réglementations pour les partenaires publics

recyclage et réemploi ces leviers d'accélération de l'les - Apr 13 2023

web nov 13 2023 les boucles de réemploi et de recyclage sont de plus en plus souvent le fruit d'une coopération à l'échelle locale ces solutions d'économie circulaire ne cessent de progresser

les nouvelles techniques de recyclage et de valorisation des - Oct 07 2022

web les nouvelles techniques de recyclage et de valorisation des déchets ménagers et des déchets industriels banals rapports d office parlementaire rapport n 415 1998 1999 déposé le 10 juin 1999

les innovations en matière de technologie de recyclage dévoilées - Oct 19 2023

web l ensemble de mesures sur l économie circulaire de l ue repose sur des objectifs de recyclage très clairs pour ses États membres y compris un taux de recyclage de 65 pour les emballages d ici 2025 et pas plus de 10

about 6 more waste generated in singapore in 2022 recycling - Jan 10 2023

web may 3 2023 of the 7 39 million tonnes of waste generated 4 19 million tonnes were recycled this amounts to a 57 per cent recycling rate in 2022 up from 55 per cent in the previous year and 52 per cent in

rapport sur les nouvelles techniques de recyclage et de - May 02 2022

web empreinte environnementale des produits de haute technologie est accentuée par leur faible taux de collecte et de recyclage rapport sur les nouvelles techniques de recyclage et de april 30th 2020 rapport sur les nouvelles techniques de recyclage et de valorisation des déchets

rapport sur les nouvelles techniques de recyclage pdf - Sep 06 2022

web fondement de la vie des sociétés et des économies l eau comporte de multiples valeurs et avantages mais contrairement à la plupart des autres ressources naturelles il s est avéré extrêmement difficile de déterminer sa véritable valeur l édition 2021 du rapport mondial sur la mise en valeur de l eau des nations unies

activity 1 1 2 simple machines practice problems answer key - Mar 18 2022

web apr 24 2016 answer the following questions regarding simple machine systems each question requires proper illustration and annotation including labeling of forces distances direction and unknown values illustrations should consist of basic simple machine functional sketches rather than realistic pictorials

1 1 2 answer key n b engr 2230 tenn state studocu - Jun 20 2022

web age class and crime n b activity simple machines practice procedure answer the following questions regarding simple machine systems each question requires proper illustration and

simple machines worksheet packet simple machines packet answers - Mar 30 2023

web simple machines packet answers focus on pages with a for test tomorrow simple machines page 61 lever or wedge inclined plane wedge wheel and axle screw pulley lever lever wheel and axle functions of simple machines page 62 work screw pulley gear distance wheel and axle force lever wedge inclined plane

1 1 2 a simple machines practice problems studocu - Jul 02 2023

web answer the following questions regarding simple machine systems each question requires proper illustration and

annotation including labeling of forces distances direction and unknown values illustrations should consist of basic simple machine functional sketches rather than realistic pictorials

simple machines super teacher worksheets - Feb 26 2023

web word problems daily more math worksheets reading comprehension reading comprehension gr 1 printable worksheets and activities to teach students about the six types of simple machines inclined plane wedge wheel and axle screw lever and pulley pdf with answer key

activity 1 1 2 simple machines practice problems dominik - Jun 01 2023

web aug 26 2014 answer the following questions regarding simple machine systems each question requires proper illustration and annotation including labeling of forces distances direction and unknown

activity 1 1 2 simple machine practice problems key - Aug 03 2023

web activity 1 1 2 simple machines practice problems procedure answer the following questions regarding simple machine systems each question requires proper illustration and annotation including labeling of forces distances direction and unknown values

1 1 2 a simple machines practice problems studocu - Oct 05 2023

web answer the following questions regarding simple machine systems each question requires proper illustration and annotation including labeling of forces distances direction and unknown values illustrations should consist of basic simple machine functional sketches rather than realistic pictorials

1 1 2 ak simple machines practice problems 1 17 docx - Oct 25 2022

web activity 1 1 2 simple machines practice problems answer key procedure answer the following questions regarding simple machine systems each question requires proper illustration and annotation including labeling of forces

1 1 2 simple machine practice problems - Dec 27 2022

web introduction in the last activity building and using simple machines and making measurements of forces and distances gave you concrete examples using mechanisms just from a good sketch however an engineer can deduce how a mechanism will transform forces and distances from input to output from effort to resistance

activity 1 1 2 simple machines practice problems answer key - Feb 14 2022

web apr 24 2016 answer the following questions regarding simple machine systems each question requires proper illustration and annotation including labeling of forces distances direction and unknown values illustrations should consist of basic simple machine functional sketches rather than realistic pictorials

activity 1 1 2 simple machines practice problems answer key - Nov 25 2022

web 1 sketch and annotate the lever system described above 2 what is the actual mechanical advantage of the system

formula substitute solve final answer ama 3 33 3 using static equilibrium calculations calculate the length from the fulcrum to the resistance force formula substitute solve final answer

[17 simple machine quizzes questions answers trivia proprofs](#) - May 20 2022

web mar 21 2023 pulley and lever lever inclined plane wedge force with this wonderful collection of simple machine quizzes go ahead and put your knowledge to the test discover interesting trivia about simple machines and their ro

[a1 1 2 simple machines practice problems answer key pdf lever machines](#) - Sep 04 2023

web 2 simple machines practice problems answer key procedure answer the following questions regarding simple machine systems each question requires proper illustration and annotation including labeling of forces distances direction and unknown values

[activity 1 1 2 simple machines practice problems pltw](#) - Apr 30 2023

web answer the following questions regarding simple machine systems each question requires proper illustration and annotation including labeling of forces distances direction and unknown values illustrations should consist of basic simple machine functional sketches rather than realistic pictorials

[mastering simple machines get the answer key to your 1 1 2 practice](#) - Sep 23 2022

web the 1 1 2 simple machines practice answer key provides the solutions to common problems and exercises related to simple machines this answer key serves as a valuable resource for students and educators alike allowing them to check their work and ensure they are on the right track

1 1 2 a simple machines practice problems 5 studylib net - Aug 23 2022

web activity 1 1 2 simple machines practice problems procedure answer the following questions regarding simple machine systems each question requires proper illustration and annotation including labeling of forces distances direction and unknown values

[9 3 simple machines physics openstax](#) - Jan 28 2023

web c describe simple and complex machines and solve problems involving simple machines d define input work output work mechanical advantage and efficiency of machines in addition the high school physics laboratory manual addresses content in this section in the lab titled work and energy as well as the following standards

activity 1 1 2 simple machines practice problems answer key - Apr 18 2022

web problem statement the perimeter approximate surface area and the approximate volume of an in ground pool is given by the following formula perimeter 2 length width volume $\text{length width average depth}$ underground surface area $2 \text{ length width average depth length width}$ using these formula as basis write a program that

1 1 2 a simple machines practice problems docx activity 1 1 2 simple - Jul 22 2022

web activity 1 1 2 simple machines practice procedure answer the following questions regarding simple machine systems each question requires proper illustration and annotation including labeling of forces distances direction and unknown values illustrations should consist of basic simple machine functional sketches rather than

business studies grade 10 term 4 november past papers memos - Feb 17 2022

web we have a list of grade 10 study guides past papers memos as well as assignments and practical projects questions and answers for your revision download free latest business studies grade 10 past papers memos and study guides pdf essays topics are also available for some subjects

business studies previous question papers grade 10 pdf prof - Jun 23 2022

web june exemplar question papers grade 5 2014 7 sept 2020 find business studies grade 12 past exam papers grade 12 11 10 2016 pdf download february march may june september and business studies question paper for class pdf business studies question papers grade 11 str tnorg business studies grade 10 exam

gr10 bs business studies year end exam memo 1 pdf scribd - Aug 06 2023

web 3 business studies grade 10 year end exam memorandum section b answer only three of the following questions make sure you indicate clearly as to which question you have answered question 1 business environments 1 1 read the following case study and answer the questions that follow

business studies grade 10 past papers sa papers - Jun 04 2023

web business studies government grade 10 past papers access the largest collection of past exam papers for grade 10 caps the memos and exam papers are available in afrikaans and english prepare for your grade 10 exams with our collection of past papers and study resources

grade 10 nsc past papers memos business studies - Mar 01 2023

web dec 14 2021 are you in need of grade 10 nsc past papers memos business studies after a number of requests

physics101 has decided to not only put up past papers but all respective subjects to assist students as well as study guides enjoy the past papers for economic management services

business studies grade 10 june memos 2014 - May 23 2022

web business studies grade 10 june memos 2014 shuters top class religion studies sep 01 2021 x kit fet g10 business studies jun 17 2020 business studies sep 20 2020 social studies grade 10 mar 07 2022 bccm horizons the new conservatory series grade 10 studies for piano oct 14 2022 agricultural sciences grade 10 oct 02 2021

grade 10 business studies past exam papers - Sep 07 2023

web past exam papers for grade 10 business studies 2023 2015 past march june september and november exam papers memos available in both afrikaans and english caps exam papers

business studies grade 10 june memos 2014 uniport edu - Sep 26 2022

web sep 2 2023 this business studies grade 10 june memos 2014 but stop happening in harmful downloads rather than enjoying a fine ebook next a cup of coffee in the afternoon then again they juggled like some harmful virus inside their computer business studies grade 10 june memos 2014 is straightforward in our

grade 10 business studies sa exams - Mar 21 2022

web nov 27 2022 grade 10 business studies by saamanjaichand november 27 2022 grade 10 business studies exam papers our examination papers include gauteng kwa zulu natal eastern cape nsc mock papers year question paper june memorandum november memorandum post navigation

business studies grade 10 june memos 2014 download only - Apr 02 2023

web pages grade 10 business studies june examination sdbec0s fet download grade 10 business studies june exam document on this page you can read or download grade 10 business studies june exam in pdf format if you don t see any interesting for you use our search form on bottom grade 12 business studies memorandum june

grade 10 business studies june examination sdbec0s stuvia - Jan 31 2023

web jun 22 2019 institution university of south africa unisa grade 10 business studies practice examination paper can be used by grade 10 learners to prepare for exams and also by pgce sdbec0s students for assignments memorandum available seperately

business studies grade 10 exam papers and memos my courses - May 03 2023

web may 16 2020 business studies grade 10 controlled tests and exam question papers notes and study guides 2023 2022 2021 2020 business studies grade 11 controlled tests exam question papers notes and study guides 2023 2022 2021 2020 business studies grade 12 papers and memos with notes pdf download caps

grade 10 business studies june exam and memo paper 2 2023 - Dec 30 2022

web grade 10 business studies june exam and memo paper 2 2023 this product contains a downloadable grade 10 business studies exam and memo paper 2 for the june exams paper 2 section a compulsory short questions section b answer two of the three questions direct indirect type questions

business studies grade 10 past exam papers and memos pdf - Oct 08 2023

web sep 9 2022 the grade 10 business studies papers and memorandum pdf can be downloaded below past exam paper memos alexander road high school june 2021 control test gr 10 control test memo june 2019 exam paper 1 june 2019 p1 memo june 2019 exam paper 2 june 2019 p2 memo june 2018 exam paper 1 paper

grade 10 november 2020 business studies p1 exemplar - Apr 21 2022

web nov 10 2020 4 2 briefly explain why the macro environment can be a challenge to a business 4 4 3 evaluate the

negative impact of hiv aids on a business 4 4 4 explain the relationship between the micro market and macro environments 6
business operations 4 5 list two remedies of the national credit act 2

business studies gr 10 memo pdf course hero - Oct 28 2022

web business studies grade 10 nw june memo 2017 14 conclusion the business should always consider the impact they have
on their community and the environment 2 breakdown of mark allocation details introduction 2 3 advantages csr businesses
10 27 max 32 advantages csr communities 10 ways business can involved in csr 8

grade 10 november 2020 business studies p1 - Aug 26 2022

web national senior certificate grade 10 november 2020 business studies p1 marking guideline exemplar marks 150 this
marking guideline consists of 25 pages notes to markers a comprehensive memorandum has been provided but this is by no
means exhaustive due consideration should be given to an answer that is

grade 10 business studies june exam and memo paper 1 - Jul 25 2022

web summaries sa grade 10 business studies exam and memo paper 1 economics for the june exams paper 1 this paper
consists of 3 sections taking up 7 pages section a compulsory section b answer one of the two questions section c answer any
one of the two questions grand total 100

business studiesgrade 10 june exam 2014 memo pdf cie - Jul 05 2023

web business studiesgrade 10 june exam 2014 memo business studiesgrade 10 june exam 2014 memo 4 downloaded from cie
advances asme org on 2021 03 24 by guest growth and prosperity and to our ability to compete in the global economy it is
the path to higher earning power for americans and is necessary for our democracy to work it fosters

business studies grade 10 june exam paper 1 and paper 2 pdf - Nov 28 2022

web may 30 2023 advertisement dont miss business studies grade 10 term 1 march control test 2022 common test question
papers and memorandums 2017 business studies gr 10 paper 1 download business studies gr 10 paper download business
studies gr 10 memo download business studies gr 10 memo