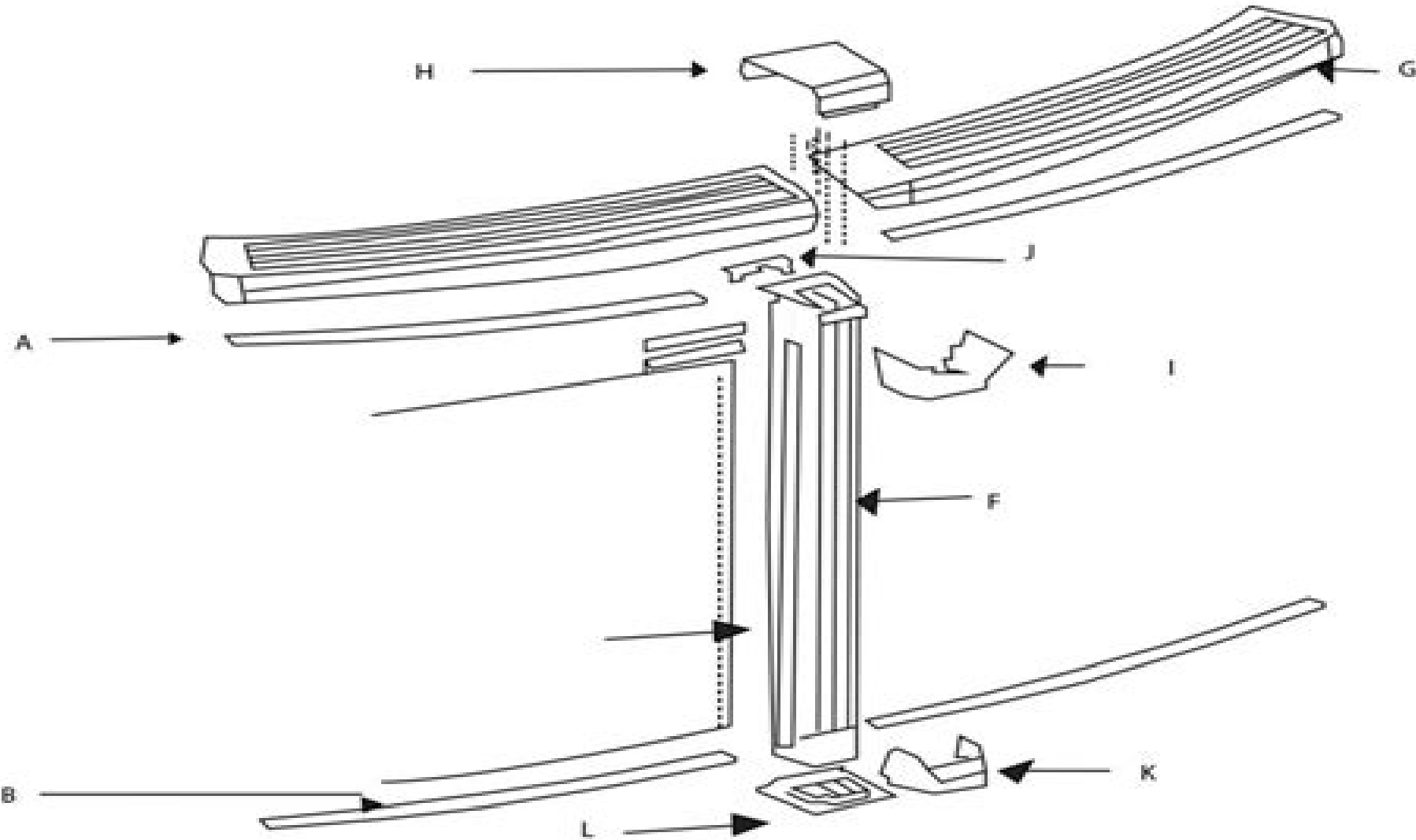


AQUA LEADER 54"
SENTINELLE ROUND
2005 - 2013



Aqua Leader Installation Manual

Wenbin Ji



Aqua Leader Installation Manual:

Aquatic Fitness Professional Manual Aquatic Exercise Association,2025-03-27 Aquatic Fitness Professional Manual is the primary preparation resource for the certification exam of the Aquatic Exercise Association AEA and is the most comprehensive guide available for designing and leading exercise sessions in the pool **Aquatic Fitness Professional Manual-7th Edition** Aquatic Exercise Association (AEA),2017-10-12 This is the definitive resource for individuals preparing for the AEA Aquatic Fitness Professional Certification exam and for anyone leading water exercise classes **Army Physical Readiness Training Manual** Barry Leonard,2011-05 Guides leaders through a systematic approach to training consisting of an ordered comprehensive assemblage of facts principles and methods for training soldiers and units Provides a balanced training program that prepares soldiers for successful task performance and provides linkage to other training Injury control is woven into the training s fabric by recommended exercise intensity volume specificity and recovery within its progressive training schedules Sample schedules provide the commander a doctrinal template that can be applied to the unit s training needs Append Physical Fitness Test Climbing Bars Posture and Body Mechanics Environ Considerations Obstacle Negotiations Numerous photos This is a print on demand pub *Tropical Fish Hobbyist* ,2001 **A Popular Handbook of the Ornithology of the United States and Canada** Thomas Nuttall,1891 *Catalogue of Title-entries of Books and Other Articles Entered in the Office of the Librarian of Congress, at Washington, Under the Copyright Law ... Wherein the Copyright Has Been Completed by the Deposit of Two Copies in the Office* Library of Congress. Copyright Office,1920 **The Mines Handbook** ,1918 *The Mines Handbook* Walter Garfield Neale,Lenox Hawes Rand,Edward Barney Sturgis,1918 Publications Combined: Army Combat Fitness Test (ACFT) Training Guide, Handbook, Equipment List, Field Testing Manual & More ,2019-03-05 Over 600 total pages CONTENTS Army Combat Fitness Test Training Guide Version 1 2 FIELD TESTING MANUAL Army Combat Fitness Test Version 1 4 Army Combat Fitness Test CALL NO 18 37 September 2018 FM 7 22 ARMY PHYSICAL READINESS TRAINING October 2012 IOC TESTING ACFT EQUIPMENT LIST 1 X LANE REQUIREMENT Version 1 1 4 September 2018 ACFT Field Test Highlight Poster Final OVERVIEW The Army will replace the Army Physical Fitness Test APFT with the Army Combat Fitness Test ACFT as the physical fitness test of record beginning in FY21 To accomplish this the ACFT will be implemented in three phases Phase 1 Initial Operating Capability IOC includes a limited user Field Test with approximately 60 battalion sized units from across all components of the Army While the ACFT is backed by thorough scientific research and has undergone several revisions there are still details that have not been finalized The ACFT requires a testing site with a two mile run course and a flat field space approximately 40 x 40 meters The field space should be grass well maintained and cut or artificial turf that is generally flat and free of debris While maintaining testing standards and requirements commanders will make adjustments for local conditions when necessary The start and finish point for the two mile run course must be in close proximity to the Leg Tuck station When test events are

conducted indoors the surface must be artificial turf only Wood and rubberized surfaces are not authorized as they impact the speed of the Sprint Drag Carry When environmental conditions prohibit outdoor testing an indoor track may be used for the 2 Mile Run The Test OIC or NCOIC are responsible to inspect and certify the site and determine the number of testing lanes There should not be more than 4 Soldiers per testing group for the SPT HRP and SDC The OIC or NCOIC must add additional lanes or move Soldiers to a later testing session to ensure no more than 4 Soldiers per testing group Concerns related to Soldiers graders or commanders will be addressed prior to test day The number of lanes varies by number of Soldiers testing A 16 lane ACFT site will have the following ACFT specific test equipment requirements 16 hexagon trap bars 60 pounds each with a set of locking collars While all NSN approved hexagon bars must weigh 60 pounds there is always a small manufacturer s production tolerance The approved weight tolerance for the hexagon bar is 2 pounds 58 62 pounds Weight tolerance for the hexagon bar and therefore the 3 Repetition Maximum Deadlift does not include the collars On average hexagon bar collars weigh 2 0 pounds per pair and are considered incidental to the totalweight of the MDL weight Approximately 3 000 lbs of bumper plates 16 x 10 lb medicine ball 16 x nylon sled with pull straps 32 x 40 lb kettle bells Permanent or mobile pull up bars 16 x pull up bars at approximately 7 5 feet off the ground with step ups for shorter Soldiers Common unit equipment for set up and grading 16 stop watches 8 x 25m tape measures 8 x wooden or PVC marking sticks for the SPT One stick for every two lanes 70 x 18 traffic cones 50 field dome cones A soft flat dry test area approximately 40m x 40m on grass or artificial turf half of a soccer or football field A site that is free of any significant hazards A preparation area can be same as briefing area to conduct Preparation Drill A generally flat measured running course with a solid improved surface that is not more than 3 percent uphill grade and has no overall decline start and finish must be at the same altitude

From Space to Earth John Perlin,2002 *From Space to Earth* tracks the evolution of the technology of photovoltaics the use of solar cells to convert the sun s energy into electricity John Perlin s painstaking research results in a fascinating account of the development of this technology from its shaky nineteenth century beginnings mired in scientific controversy to its high visibility success in the space program to its current position as a versatile and promising power source

Adopting the Tune of Expression: An Mental Symphony within **Aqua Leader Installation Manual**

In a global eaten by screens and the ceaseless chatter of fast conversation, the melodic splendor and psychological symphony produced by the prepared word usually diminish in to the background, eclipsed by the constant sound and disturbances that permeate our lives. Nevertheless, located within the pages of **Aqua Leader Installation Manual** a marvelous literary treasure filled with natural feelings, lies an immersive symphony waiting to be embraced. Constructed by an outstanding composer of language, this fascinating masterpiece conducts viewers on a psychological journey, skillfully unraveling the concealed songs and profound affect resonating within each cautiously crafted phrase. Within the depths with this moving examination, we will explore the book is key harmonies, analyze their enthralling publishing type, and submit ourselves to the profound resonance that echoes in the depths of readers souls.

<https://stats.tinkerine.com/results/uploaded-files/fetch.php/Building%20And%20Grounds%20Study%20Guide.pdf>

Table of Contents Aqua Leader Installation Manual

1. Understanding the eBook Aqua Leader Installation Manual
 - The Rise of Digital Reading Aqua Leader Installation Manual
 - Advantages of eBooks Over Traditional Books
2. Identifying Aqua Leader Installation Manual
 - Exploring Different Genres
 - Considering Fiction vs. Non-Fiction
 - Determining Your Reading Goals
3. Choosing the Right eBook Platform
 - Popular eBook Platforms
 - Features to Look for in an Aqua Leader Installation Manual
 - User-Friendly Interface
4. Exploring eBook Recommendations from Aqua Leader Installation Manual
 - Personalized Recommendations

- Aqua Leader Installation Manual User Reviews and Ratings
- Aqua Leader Installation Manual and Bestseller Lists
- 5. Accessing Aqua Leader Installation Manual Free and Paid eBooks
 - Aqua Leader Installation Manual Public Domain eBooks
 - Aqua Leader Installation Manual eBook Subscription Services
 - Aqua Leader Installation Manual Budget-Friendly Options
- 6. Navigating Aqua Leader Installation Manual eBook Formats
 - ePub, PDF, MOBI, and More
 - Aqua Leader Installation Manual Compatibility with Devices
 - Aqua Leader Installation Manual Enhanced eBook Features
- 7. Enhancing Your Reading Experience
 - Adjustable Fonts and Text Sizes of Aqua Leader Installation Manual
 - Highlighting and Note-Taking Aqua Leader Installation Manual
 - Interactive Elements Aqua Leader Installation Manual
- 8. Staying Engaged with Aqua Leader Installation Manual
 - Joining Online Reading Communities
 - Participating in Virtual Book Clubs
 - Following Authors and Publishers Aqua Leader Installation Manual
- 9. Balancing eBooks and Physical Books Aqua Leader Installation Manual
 - Benefits of a Digital Library
 - Creating a Diverse Reading Collection Aqua Leader Installation Manual
- 10. Overcoming Reading Challenges
 - Dealing with Digital Eye Strain
 - Minimizing Distractions
 - Managing Screen Time
- 11. Cultivating a Reading Routine Aqua Leader Installation Manual
 - Setting Reading Goals Aqua Leader Installation Manual
 - Carving Out Dedicated Reading Time
- 12. Sourcing Reliable Information of Aqua Leader Installation Manual
 - Fact-Checking eBook Content of Aqua Leader Installation Manual

- Distinguishing Credible Sources
- 13. Promoting Lifelong Learning
 - Utilizing eBooks for Skill Development
 - Exploring Educational eBooks
- 14. Embracing eBook Trends
 - Integration of Multimedia Elements
 - Interactive and Gamified eBooks

Aqua Leader Installation Manual Introduction

In the digital age, access to information has become easier than ever before. The ability to download Aqua Leader Installation Manual has revolutionized the way we consume written content. Whether you are a student looking for course material, an avid reader searching for your next favorite book, or a professional seeking research papers, the option to download Aqua Leader Installation Manual has opened up a world of possibilities. Downloading Aqua Leader Installation Manual provides numerous advantages over physical copies of books and documents. Firstly, it is incredibly convenient. Gone are the days of carrying around heavy textbooks or bulky folders filled with papers. With the click of a button, you can gain immediate access to valuable resources on any device. This convenience allows for efficient studying, researching, and reading on the go. Moreover, the cost-effective nature of downloading Aqua Leader Installation Manual has democratized knowledge. Traditional books and academic journals can be expensive, making it difficult for individuals with limited financial resources to access information. By offering free PDF downloads, publishers and authors are enabling a wider audience to benefit from their work. This inclusivity promotes equal opportunities for learning and personal growth. There are numerous websites and platforms where individuals can download Aqua Leader Installation Manual. These websites range from academic databases offering research papers and journals to online libraries with an expansive collection of books from various genres. Many authors and publishers also upload their work to specific websites, granting readers access to their content without any charge. These platforms not only provide access to existing literature but also serve as an excellent platform for undiscovered authors to share their work with the world. However, it is essential to be cautious while downloading Aqua Leader Installation Manual. Some websites may offer pirated or illegally obtained copies of copyrighted material. Engaging in such activities not only violates copyright laws but also undermines the efforts of authors, publishers, and researchers. To ensure ethical downloading, it is advisable to utilize reputable websites that prioritize the legal distribution of content. When downloading Aqua Leader Installation Manual, users should also consider the potential security risks associated with online platforms. Malicious actors may exploit vulnerabilities in unprotected websites to distribute malware or steal personal

information. To protect themselves, individuals should ensure their devices have reliable antivirus software installed and validate the legitimacy of the websites they are downloading from. In conclusion, the ability to download Aqua Leader Installation Manual has transformed the way we access information. With the convenience, cost-effectiveness, and accessibility it offers, free PDF downloads have become a popular choice for students, researchers, and book lovers worldwide. However, it is crucial to engage in ethical downloading practices and prioritize personal security when utilizing online platforms. By doing so, individuals can make the most of the vast array of free PDF resources available and embark on a journey of continuous learning and intellectual growth.

FAQs About Aqua Leader Installation Manual Books

What is a Aqua Leader Installation Manual PDF? A PDF (Portable Document Format) is a file format developed by Adobe that preserves the layout and formatting of a document, regardless of the software, hardware, or operating system used to view or print it. **How do I create a Aqua Leader Installation Manual PDF?** There are several ways to create a PDF: Use software like Adobe Acrobat, Microsoft Word, or Google Docs, which often have built-in PDF creation tools. Print to PDF: Many applications and operating systems have a "Print to PDF" option that allows you to save a document as a PDF file instead of printing it on paper. Online converters: There are various online tools that can convert different file types to PDF. **How do I edit a Aqua Leader Installation Manual PDF?** Editing a PDF can be done with software like Adobe Acrobat, which allows direct editing of text, images, and other elements within the PDF. Some free tools, like PDFescape or Smallpdf, also offer basic editing capabilities. **How do I convert a Aqua Leader Installation Manual PDF to another file format?** There are multiple ways to convert a PDF to another format: Use online converters like Smallpdf, Zamzar, or Adobe Acrobats export feature to convert PDFs to formats like Word, Excel, JPEG, etc. Software like Adobe Acrobat, Microsoft Word, or other PDF editors may have options to export or save PDFs in different formats. **How do I password-protect a Aqua Leader Installation Manual PDF?** Most PDF editing software allows you to add password protection. In Adobe Acrobat, for instance, you can go to "File" -> "Properties" -> "Security" to set a password to restrict access or editing capabilities. Are there any free alternatives to Adobe Acrobat for working with PDFs? Yes, there are many free alternatives for working with PDFs, such as: LibreOffice: Offers PDF editing features. PDFsam: Allows splitting, merging, and editing PDFs. Foxit Reader: Provides basic PDF viewing and editing capabilities. How do I compress a PDF file? You can use online tools like Smallpdf, ILovePDF, or desktop software like Adobe Acrobat to compress PDF files without significant quality loss. Compression reduces the file size, making it easier to share and download. Can I fill out forms in a PDF file? Yes, most PDF viewers/editors like Adobe Acrobat, Preview (on Mac), or various online tools allow you to fill out forms in PDF files by selecting text fields

and entering information. Are there any restrictions when working with PDFs? Some PDFs might have restrictions set by their creator, such as password protection, editing restrictions, or print restrictions. Breaking these restrictions might require specific software or tools, which may or may not be legal depending on the circumstances and local laws.

Find Aqua Leader Installation Manual :

[building and grounds study guide](#)

buhler versatile 2425 2375 2335 2360 2290 tractor operation maintenance service manual 1

[buick manual transmission](#)

building confidence in peace public opinion and the cyprus peace process

building thoreaus cabin a modern guide

[bug off exterminators comprehensive problem](#)

[buenos dias bebe good morning baby soft to touch books](#)

[buckeye kitchen suppression systems manual](#)

building type basics for healthcare facilities by richard l kobus 2008 04 25

building a reality based relationship the six stages of modern marriage paperback

[buet admission test question 2013](#)

build your own cnc machine

building a data warehouse

building decks completely revised and updated for pros by pros

[build truck stop business special](#)

Aqua Leader Installation Manual :

[writing that works communicating effectively on the job](#) - Mar 13 2023

xxxii 911 pages 24 cm includes bibliographical references and index pt 1 the writing process getting started organizing your information writing the draft revising for essentials revising for coherence emphasis and ethics collaborative writing pt 2

successful writing at work pdf 4h0cshu627f0 e book library - Sep 07 2022

successful writing at work 11th edition is a comprehensive introduction to workplace writing with real world examples and problems an easy to read style and thorough guidelines for planning drafting revising editing formatting and producing professional documents in the global workplace

writing that works communicating effectively on the job - Jul 17 2023

mar 4 2016 writing that works communicating effectively on the job countless real world model documents contextualized by clear rhetorical instruction and a focus on professional ethics make writing

pdf epub writing that works communicating effectively - Sep 19 2023

sep 18 2020 download book writing that works communicating effectively on the job by author walter e oliu in pdf epub original title isbn 9781319019488 published on 1988 1 1 in edition language english get full ebook file name writing that works communicating effectiv gerald j alred pdf epub format

writing that works communicating effectively on the job with - Jan 11 2023

sep 1 2021 this ebook has been updated to provide you with the latest guidance on documenting sources in mla style and follows the guidelines set forth in the mla handbook 9th edition april 2021 more

writing that works how to communicate effectively in pdf - Jun 04 2022

1 writing that works 2 don t mumble and other principles of effective writing 3 i love my computer 4 e mail the great mailbox in the sky 5 memos and letters that get things done 6 writing for an audience presentations and speeches 7

free download writing that works communicating - Feb 12 2023

pdf download writing that works communicating effectively on the job 11th edition ebook read online link read download and more info bbookstored com 1457611139

ncert ebook pdf for class 11 english writing skills free pdf - Apr 02 2022

saralstudy com providing you chapter wise free ebook pdf download for class 11 english writing skills the solutions are provided by the expert teacher following ncert cbse guidelines read and prepare for your upcoming exams to get high score *best pdf writing that works communicating effectively on the job 11th* - Dec 10 2022

pdf download writing that works communicating effectively on the job 11th edition ebook read online link read download and more info pdfupdates com 1457611139

download pdf writing that works communicating effectively - Apr 14 2023

pdf download writing that works communicating effectively on the job 11th edition ebook read online link read download and more info bbookstored com 1457611139

writing that works communicating effectively on the job with - May 03 2022

english writing that works communicating effectively on the job with 2020 apa update request a sample or learn about ordering options for writing that works communicating effectively on the job with 2020 apa update 13th edition by walter e oliu from the macmillan learning instructor catalog

writing that works communicating effectively on the job 11th edition - May 15 2023

oct 12 2012 amazon com writing that works communicating effectively on the job 11th edition 9781457611131 oliu walter e brusaw charles t alred gerald j books

11th grade writing worksheets learny kids - Jan 31 2022

11th grade writing displaying top 8 worksheets found for 11th grade writing some of the worksheets for this concept are grade 11 reading practice test unit plan grade 11 english by rebecca holloway introduction grade 11 english language arts practice test elpac practice test grades 11 12 grammar practice workbook end of course writing

pdf writing that works communicating effectively on the job 11th - Jun 16 2023

may 21 2021 pdf download writing that works communicating effectively on the job 11th edition ebook read online link read download and more info marketpdf com 1457611139

writing that works communicating effectively on the job 13th edition - Aug 06 2022

sep 10 2021 writing that works communicating effectively on the job 13th edition 2020 by walter e oliu charles t brusaw and gerald j alred isbn 978 1 319 36152 5 anybody have a pdf of this for free thanks

download pdf successful writing at work pdf 4h0cshu627f0 - Nov 09 2022

download pdf successful writing at work pdf 4h0cshu627f0 successful writing at work 11th edition is a comprehensive introduction to workplace writing with real world examples vdoc pub

writing that works kenneth roman free download borrow - Aug 18 2023

11 isbn 9780060956431 0060956437 lccn 00702901 ocr converted abbyy to hocr 1 1 20 ocr module version 0 0 17

openlibrary ol6898511m openlibrary edition ol6898511m openlibrary work ol2683652w page number confidence 90 19 pages 214 pdf module version 0 0 20 ppi 350 related external id urn isbn 0064637107

cbse class 11 english article writing worksheet studiestoday - Mar 01 2022

worksheets play an important role in developing an understanding of article writing in cbse class 11 students can download and save or print all the worksheets printable assignments and practice sheets of the above chapter in class 11 english in pdf format from studiestoday you can print or read them online on your computer or mobile or any

writing that works 11th edition pdf free minedit com - Jul 05 2022

apr 3 2023 writing that works 11th edition pdf free the eleventh edition of writing that works is a free pdf guide to help you communicate and write more effectively in business and other professional contexts thank you for reading minedit if you have any questions don t hesitate to ask a question in the comment section down below

writing that works communicating effectively on the job - Oct 08 2022

mar 4 2016 writing that works communicating effectively on the job twelfth edition by walter e oliu author charles t brusaw author gerald j alred author 0 more 4 3 4 3 out of 5 stars 338 ratings

office 2010 download office 2010 microsoft office - Oct 04 2023

web what s the difference between office 2010 and microsoft 365 office 2010 include applications such as word excel powerpoint and outlook they re available as a one time purchase for use on a single pc

install office 2010 microsoft support - Sep 03 2023

web learn how to install office 2010 or install and remove individual office programs or components for both 32 bit and 64 bit versions of office

microsoft word 2010 download word 2010 microsoft office - Mar 29 2023

web do your best work upgrade your word 2010 download with microsoft 365 for work or home and get the power to take word anywhere collaborate with anyone and more

end of support for office 2010 microsoft support - Apr 29 2023

web oct 13 2020 support for office 2010 ended on october 13 2020 all of your office 2010 apps will continue to function however you could expose yourself to serious and potentially harmful security risks upgrade to a newer version of office

[install office 2010 microsoft support](#) - Aug 02 2023

web upgrade from office 2010 to office 365 64 bit install insert the office 2010 disc into the drive

download getting started with office 2010 from official microsoft - Jul 01 2023

web feb 25 2011 a full package of materials to help people new to microsoft office 2010 get up to speed more quickly articles and guidance cover all the applications in office 2010 including interactive guides to help transition from menus to the ribbon interface

[february 2 2021 update for office 2010 kb4493180](#) - Jan 27 2023

web jan 15 2021 this article describes update 4493180 for microsoft office 2010 that was released on february 2 2021 be aware that the update in the microsoft download center applies to the microsoft installer msi based edition of office 2010

microsoft office 2010 download - Dec 26 2022

web this is the final version of the microsoft office 2010 productivity suite one of the most historically popular and useful tools in the entire personal computing industry microsoft office 2010 business and home includes five of the most valuable productivity apps on the market which are powerpoint excel word onenote and outlook

[office 2010 end of support microsoft 365](#) - Feb 25 2023

web office 2010 will reach end of support on october 13th 2020 if you are you still using office 2010 look at microsoft 365 to increase your productivity

[microsoft office 2010 wikipedia](#) - May 31 2023

web microsoft office 2010 codenamed office 14 is a version of microsoft office for microsoft windows unveiled by microsoft on

may 15 2009 and released to manufacturing on april 15 2010 with general availability on june 15 2010 as the successor to office 2007 and the predecessor to office 2013

ciencias naturales 6º secundaria proyecto saber hacer - Nov 06 2022

web 2020 santillana com do

ciencias de la naturaleza santillana - Jul 02 2022

web el libro ciencias de la naturaleza para sexto curso de primaria es una obra colectiva concebida diseñada y creada en el departamento de ediciones educativas de santillana educación s l dirigido por teresa greñe ruiz en su elaboración ha

participado el siguiente equipo texto susana lobo fernández

ciencias de la naturaleza 6 primaria serie observa santillana - May 12 2023

web libro de texto de ciencias de la naturaleza para alumnado de 6º primaria ver muestra isbn 9788468031378

ciencias naturales sexto grado libro de primaria grado 6º - Mar 30 2022

web libro de primaria grado 6º ciclo escolar 2021 2022 comisión nacional de libros de texto gratuitos ir a página

libro ciencias naturales 6 grado de primaria santillana - Jul 14 2023

web sep 4 2021 el libro de ciencias naturales 6 grado de primaria de la editorial santillana es el material didáctico oficial para que tanto los estudiantes como los docentes puedan utilizarlo como recurso educativo en el aula

ciencias naturaleza 6 primaria serie investiga santillana - Aug 15 2023

web libro de ciencias de la naturaleza para 6 de primaria serie investiga entrena la creatividad y el pensamiento gracias al trabajo cooperativo descúbrelo

ciencias de la naturaleza santillana - Oct 05 2022

web el libro ciencias de la naturaleza para el 6 curso de primaria es una obra colectiva concebida diseñada y creada en el departamento de ediciones educativas de santillana educación s l dirigido por teresa greñe ruiz en su elaboración ha

participado el siguiente equipo texto

libro ciencias naturales 6 básico santillana cuaderno de - Apr 30 2022

web descargar libro curso 6 básico asignatura ciencias naturales tipo textos escolares elaborados por mineduc editorial santillana asignatura ciencias naturales curso 6 básico unidad priorización unidad 1 unidad 2 unidad 3 unidad 4 tipo textos escolares elaborados por mineduc

los caminos del saber ciencias 6 santillana - Sep 04 2022

web 6 los caminos del saber ciencias 6 método los caminos del saber es un programa de educación que te ofrece múltiples recursos impresos y digitales para que adquieras conocimientos ver índice isbn 7709991118772

santillana - Jun 01 2022

web en la última etapa de primaria ciencias de la naturaleza prepara a los niños para el salto al instituto la reproducción y los cambios del cuerpo en la pubertad cobran importancia en este volumen aula virtual santillana compra tus libros digitales sobre nosotros actualidad contacto sobre nosotros actualidad contacto qué estás

ciencias de la naturaleza 6 santillana - Dec 07 2022

web ciencias de la naturaleza 6 método saber hacer la serie extiende su propuesta al área de conocimiento de la naturaleza en 5 disciplinas presentes en el programa de primaria

libro de ciencias naturales santillana descargar gratis - Feb 26 2022

web sep 4 2021 guía santillana 3 grado pdf contestada guía santillana 4 grado pdf contestada guía santillana 5 grado pdf contestada guía santillana 6 pdf contestada guía santillana 7 grado pdf contestada colombia descubre alternar menú libros contestados como iniciar sesión e stela santillana como iniciar sesión en eva

[ciencias naturales 6 santillana](#) - Apr 11 2023

web ciencias naturales 6 método el hogar que queremos propone la biodiversidad como eje transversal en la sección especial el hogar que queremos descargar demo ver índice ver catálogo isbn 9789962017493

ciencias naturales 6 - Mar 10 2023

web ciencias naturales 6 recursos para el docente ana maría deprati et al 1a ed buenos aires santillana 2013 32 p 28x22 cm conocer isbn 978 950 46 3202 3 1 ciencias naturales 2 enseñanza primaria i deprati ana maría cdd 372 357 6 ciencias naturales

[libro ciencias naturales 6 primaria santillana pdf gratis](#) - Feb 09 2023

web libro ciencias naturales 6 primaria santillana pdf gratis esta a disposición para consultar online o descargar libro ciencias naturales 6 primaria santillana pdf gratis para imprimir o ver online para profesores y alumnos al completo

descargar pdf ciencias naturales 6 básico santillana - Aug 03 2022

web descargar aquí te damos la bienvenida a textodelestudiante en esta entrada tendrás acceso a la descarga en pdf de ciencias naturales 6 básico santillana texto del estudiante para este año 2023 creado por el ministerio de educacion de chile o mineduc

ciencias naturales 6 santillana - Jan 08 2023

web ciencias naturales 6 serie santillana va con vos autores maría gabriela barderi ana maría deprati fabián g d'az ricardo franco celia iudica milena rosenzvit ana c e sargorodschi y paula galdeano precio 7260 comprar comprá la versión digital en tienda santillana ingresá ver índice isbn 9789504654704

libro de ciencias naturales 6 basico 2023 pdf textos - Dec 27 2021

web texto del estudiante de ciencias naturales 6 basico 2023 en pdf asignatura ciencias naturales curso 6to sexto basico

editorial santillana edicion ministerio de educacion gobierno de chile mineduc valido 2023 abrir descargar mas textos del estudiante de ciencias naturales

gestionescolar cl - Jan 28 2022

web gestionescolar cl viene informando a los visitantes acerca de temas como gestion educativa liderazgo y rrhh Únase a miles de visitantes satisfechos que descubrieron curso liderazgo sistema escolar y materiales escolares este

ciencias naturales guías santillana - Jun 13 2023

web clac naturales 6 bon doc pdf documento adobe acrobat 10 4 mb descarga contiene recursos para la planificación orientaciones para abordar el desarrollo de capacidades recomendaciones para el trabajo en ciencias naturales y evaluaciones fotocopiables