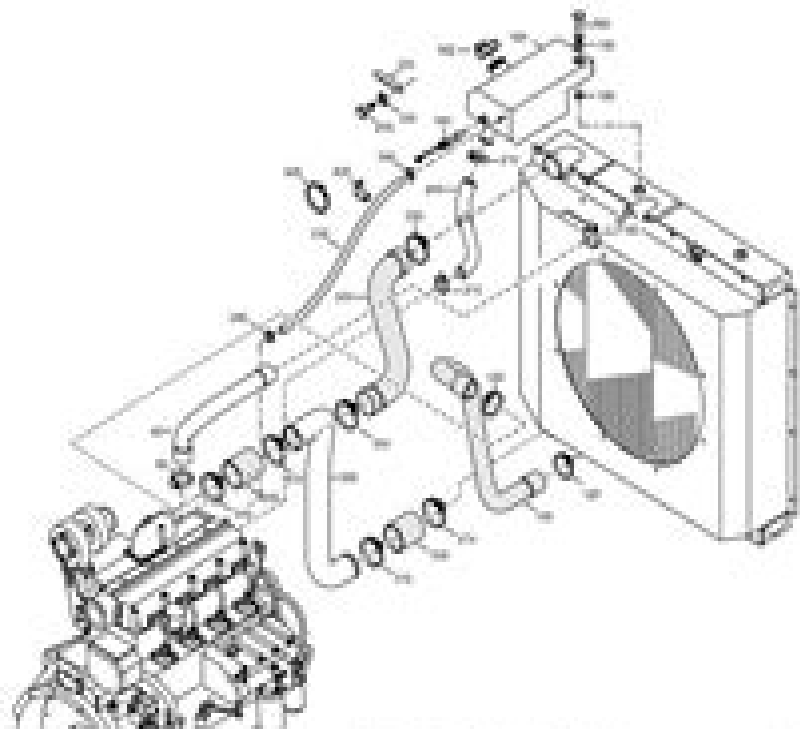


STANDARD

FRONT LOADING



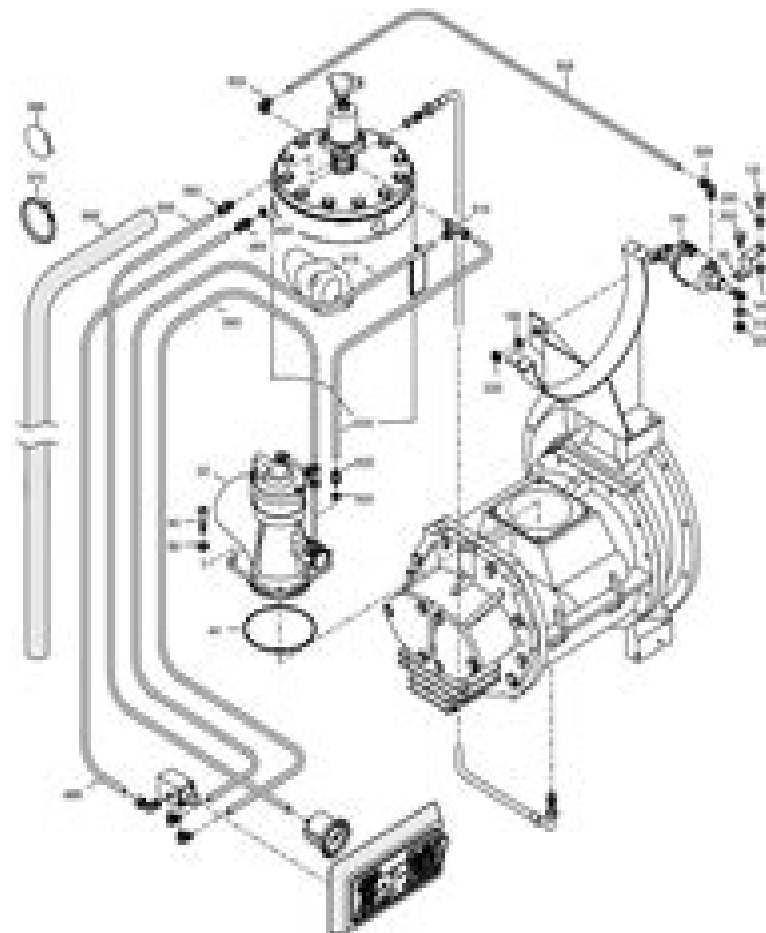
REF.	REF. NUMBER	DESCRIPTION	QTY	REF.	REF. NUMBER	DESCRIPTION	QTY
01	100 0110 01	BOX	1	30	100 0100 01	WIRE CLAMP	1
02	100 0100 01	WIRE CLAMP	1	31	100 0000 01	BRACKET	1
03	100 0114 01	WIRE	1	40	100 1000 00	TABLET	1
04	100 0100 01	WIRE CLAMP	1				
05	100 0100 01	TOPWIRE	1				
06	100 0000 01	ADJUSTER PAD	1				
07	100 0000 01	LEVEL WHEEL	1				
08	100 0000 01	FLAT WASHER	1				
09	100 0100 01	WIRE CLAMP	1				
10	100 0100 01	WIRE	1				
11	100 0100 01	WIRE CLAMP	1				
12	100 0100 01	WIRE CLAMP	1				
13	100 0100 01	WIRE CLAMP	1				
14	100 0100 01	WIRE CLAMP	1				
15	100 0100 01	WIRE CLAMP	1				
16	100 0100 01	WIRE CLAMP	1				
17	100 0100 01	WIRE CLAMP	1				
18	100 0100 01	WIRE CLAMP	1				
19	100 0100 01	WIRE CLAMP	1				
20	100 0100 01	WIRE CLAMP	1				
21	100 0100 01	WIRE CLAMP	1				
22	100 0100 01	WIRE CLAMP	1				
23	100 0100 01	WIRE CLAMP	1				
24	100 0100 01	WIRE CLAMP	1				
25	100 0100 01	WIRE CLAMP	1				
26	100 0100 01	WIRE CLAMP	1				
27	100 0100 01	WIRE CLAMP	1				
28	100 0100 01	WIRE CLAMP	1				
29	100 0100 01	WIRE CLAMP	1				
30	100 0100 01	WIRE CLAMP	1				
31	100 0100 01	WIRE CLAMP	1				
32	100 0100 01	WIRE CLAMP	1				
33	100 0100 01	WIRE CLAMP	1				
34	100 0100 01	WIRE CLAMP	1				
35	100 0100 01	WIRE CLAMP	1				
36	100 0100 01	WIRE CLAMP	1				
37	100 0100 01	WIRE CLAMP	1				
38	100 0100 01	WIRE CLAMP	1				
39	100 0100 01	WIRE CLAMP	1				
40	100 0100 01	WIRE CLAMP	1				
41	100 0100 01	WIRE CLAMP	1				
42	100 0100 01	WIRE CLAMP	1				
43	100 0100 01	WIRE CLAMP	1				
44	100 0100 01	WIRE CLAMP	1				
45	100 0100 01	WIRE CLAMP	1				
46	100 0100 01	WIRE CLAMP	1				
47	100 0100 01	WIRE CLAMP	1				
48	100 0100 01	WIRE CLAMP	1				
49	100 0100 01	WIRE CLAMP	1				
50	100 0100 01	WIRE CLAMP	1				
51	100 0100 01	WIRE CLAMP	1				
52	100 0100 01	WIRE CLAMP	1				
53	100 0100 01	WIRE CLAMP	1				
54	100 0100 01	WIRE CLAMP	1				
55	100 0100 01	WIRE CLAMP	1				
56	100 0100 01	WIRE CLAMP	1				
57	100 0100 01	WIRE CLAMP	1				
58	100 0100 01	WIRE CLAMP	1				
59	100 0100 01	WIRE CLAMP	1				
60	100 0100 01	WIRE CLAMP	1				
61	100 0100 01	WIRE CLAMP	1				
62	100 0100 01	WIRE CLAMP	1				
63	100 0100 01	WIRE CLAMP	1				
64	100 0100 01	WIRE CLAMP	1				
65	100 0100 01	WIRE CLAMP	1				
66	100 0100 01	WIRE CLAMP	1				
67	100 0100 01	WIRE CLAMP	1				
68	100 0100 01	WIRE CLAMP	1				
69	100 0100 01	WIRE CLAMP	1				
70	100 0100 01	WIRE CLAMP	1				
71	100 0100 01	WIRE CLAMP	1				
72	100 0100 01	WIRE CLAMP	1				
73	100 0100 01	WIRE CLAMP	1				
74	100 0100 01	WIRE CLAMP	1				
75	100 0100 01	WIRE CLAMP	1				
76	100 0100 01	WIRE CLAMP	1				
77	100 0100 01	WIRE CLAMP	1				
78	100 0100 01	WIRE CLAMP	1				
79	100 0100 01	WIRE CLAMP	1				
80	100 0100 01	WIRE CLAMP	1				
81	100 0100 01	WIRE CLAMP	1				
82	100 0100 01	WIRE CLAMP	1				
83	100 0100 01	WIRE CLAMP	1				
84	100 0100 01	WIRE CLAMP	1				
85	100 0100 01	WIRE CLAMP	1				
86	100 0100 01	WIRE CLAMP	1				
87	100 0100 01	WIRE CLAMP	1				
88	100 0100 01	WIRE CLAMP	1				
89	100 0100 01	WIRE CLAMP	1				
90	100 0100 01	WIRE CLAMP	1				
91	100 0100 01	WIRE CLAMP	1				
92	100 0100 01	WIRE CLAMP	1				
93	100 0100 01	WIRE CLAMP	1				
94	100 0100 01	WIRE CLAMP	1				
95	100 0100 01	WIRE CLAMP	1				
96	100 0100 01	WIRE CLAMP	1				
97	100 0100 01	WIRE CLAMP	1				
98	100 0100 01	WIRE CLAMP	1				
99	100 0100 01	WIRE CLAMP	1				
100	100 0100 01	WIRE CLAMP	1				

REF. 100 0100 01

100

STANDARD

WASHER DRYER



100

REF. 100 0100 01

Atlas Copco Electronicon I Manual

t. editor Rogert



Atlas Copco Electronicon I Manual:

If you ally need such a referred **Atlas Copco Electronicon I Manual** ebook that will have the funds for you worth, acquire the no question best seller from us currently from several preferred authors. If you want to hilarious books, lots of novels, tale, jokes, and more fictions collections are furthermore launched, from best seller to one of the most current released.

You may not be perplexed to enjoy all book collections Atlas Copco Electronicon I Manual that we will extremely offer. It is not re the costs. Its nearly what you habit currently. This Atlas Copco Electronicon I Manual, as one of the most functioning sellers here will agreed be accompanied by the best options to review.

https://stats.tinkerine.com/results/book-search/Download_PDFS/between_two_worlds_the_spiritual_journey_of_an_evangelical_catholic.pdf

Table of Contents Atlas Copco Electronicon I Manual

1. Understanding the eBook Atlas Copco Electronicon I Manual
 - The Rise of Digital Reading Atlas Copco Electronicon I Manual
 - Advantages of eBooks Over Traditional Books
2. Identifying Atlas Copco Electronicon I Manual
 - Exploring Different Genres
 - Considering Fiction vs. Non-Fiction
 - Determining Your Reading Goals
3. Choosing the Right eBook Platform
 - Popular eBook Platforms
 - Features to Look for in an Atlas Copco Electronicon I Manual
 - User-Friendly Interface
4. Exploring eBook Recommendations from Atlas Copco Electronicon I Manual
 - Personalized Recommendations
 - Atlas Copco Electronicon I Manual User Reviews and Ratings
 - Atlas Copco Electronicon I Manual and Bestseller Lists

5. Accessing Atlas Copco Electronicon I Manual Free and Paid eBooks
 - Atlas Copco Electronicon I Manual Public Domain eBooks
 - Atlas Copco Electronicon I Manual eBook Subscription Services
 - Atlas Copco Electronicon I Manual Budget-Friendly Options
6. Navigating Atlas Copco Electronicon I Manual eBook Formats
 - ePub, PDF, MOBI, and More
 - Atlas Copco Electronicon I Manual Compatibility with Devices
 - Atlas Copco Electronicon I Manual Enhanced eBook Features
7. Enhancing Your Reading Experience
 - Adjustable Fonts and Text Sizes of Atlas Copco Electronicon I Manual
 - Highlighting and Note-Taking Atlas Copco Electronicon I Manual
 - Interactive Elements Atlas Copco Electronicon I Manual
8. Staying Engaged with Atlas Copco Electronicon I Manual
 - Joining Online Reading Communities
 - Participating in Virtual Book Clubs
 - Following Authors and Publishers Atlas Copco Electronicon I Manual
9. Balancing eBooks and Physical Books Atlas Copco Electronicon I Manual
 - Benefits of a Digital Library
 - Creating a Diverse Reading Collection Atlas Copco Electronicon I Manual
10. Overcoming Reading Challenges
 - Dealing with Digital Eye Strain
 - Minimizing Distractions
 - Managing Screen Time
11. Cultivating a Reading Routine Atlas Copco Electronicon I Manual
 - Setting Reading Goals Atlas Copco Electronicon I Manual
 - Carving Out Dedicated Reading Time
12. Sourcing Reliable Information of Atlas Copco Electronicon I Manual
 - Fact-Checking eBook Content of Atlas Copco Electronicon I Manual
 - Distinguishing Credible Sources
13. Promoting Lifelong Learning

- Utilizing eBooks for Skill Development
 - Exploring Educational eBooks
14. Embracing eBook Trends
- Integration of Multimedia Elements
 - Interactive and Gamified eBooks

Atlas Copco Electronicon I Manual Introduction

In the digital age, access to information has become easier than ever before. The ability to download Atlas Copco Electronicon I Manual has revolutionized the way we consume written content. Whether you are a student looking for course material, an avid reader searching for your next favorite book, or a professional seeking research papers, the option to download Atlas Copco Electronicon I Manual has opened up a world of possibilities. Downloading Atlas Copco Electronicon I Manual provides numerous advantages over physical copies of books and documents. Firstly, it is incredibly convenient. Gone are the days of carrying around heavy textbooks or bulky folders filled with papers. With the click of a button, you can gain immediate access to valuable resources on any device. This convenience allows for efficient studying, researching, and reading on the go. Moreover, the cost-effective nature of downloading Atlas Copco Electronicon I Manual has democratized knowledge. Traditional books and academic journals can be expensive, making it difficult for individuals with limited financial resources to access information. By offering free PDF downloads, publishers and authors are enabling a wider audience to benefit from their work. This inclusivity promotes equal opportunities for learning and personal growth. There are numerous websites and platforms where individuals can download Atlas Copco Electronicon I Manual. These websites range from academic databases offering research papers and journals to online libraries with an expansive collection of books from various genres. Many authors and publishers also upload their work to specific websites, granting readers access to their content without any charge. These platforms not only provide access to existing literature but also serve as an excellent platform for undiscovered authors to share their work with the world. However, it is essential to be cautious while downloading Atlas Copco Electronicon I Manual. Some websites may offer pirated or illegally obtained copies of copyrighted material. Engaging in such activities not only violates copyright laws but also undermines the efforts of authors, publishers, and researchers. To ensure ethical downloading, it is advisable to utilize reputable websites that prioritize the legal distribution of content. When downloading Atlas Copco Electronicon I Manual, users should also consider the potential security risks associated with online platforms. Malicious actors may exploit vulnerabilities in unprotected websites to distribute malware or steal personal information. To protect themselves, individuals should ensure their devices have reliable antivirus software installed and validate the legitimacy of the websites they are downloading from. In conclusion, the ability

to download Atlas Copco Electronicon I Manual has transformed the way we access information. With the convenience, cost-effectiveness, and accessibility it offers, free PDF downloads have become a popular choice for students, researchers, and book lovers worldwide. However, it is crucial to engage in ethical downloading practices and prioritize personal security when utilizing online platforms. By doing so, individuals can make the most of the vast array of free PDF resources available and embark on a journey of continuous learning and intellectual growth.

FAQs About Atlas Copco Electronicon I Manual Books

1. Where can I buy Atlas Copco Electronicon I Manual books? Bookstores: Physical bookstores like Barnes & Noble, Waterstones, and independent local stores. Online Retailers: Amazon, Book Depository, and various online bookstores offer a wide range of books in physical and digital formats.
2. What are the different book formats available? Hardcover: Sturdy and durable, usually more expensive. Paperback: Cheaper, lighter, and more portable than hardcovers. E-books: Digital books available for e-readers like Kindle or software like Apple Books, Kindle, and Google Play Books.
3. How do I choose a Atlas Copco Electronicon I Manual book to read? Genres: Consider the genre you enjoy (fiction, non-fiction, mystery, sci-fi, etc.). Recommendations: Ask friends, join book clubs, or explore online reviews and recommendations. Author: If you like a particular author, you might enjoy more of their work.
4. How do I take care of Atlas Copco Electronicon I Manual books? Storage: Keep them away from direct sunlight and in a dry environment. Handling: Avoid folding pages, use bookmarks, and handle them with clean hands. Cleaning: Gently dust the covers and pages occasionally.
5. Can I borrow books without buying them? Public Libraries: Local libraries offer a wide range of books for borrowing. Book Swaps: Community book exchanges or online platforms where people exchange books.
6. How can I track my reading progress or manage my book collection? Book Tracking Apps: Goodreads, LibraryThing, and Book Catalogue are popular apps for tracking your reading progress and managing book collections. Spreadsheets: You can create your own spreadsheet to track books read, ratings, and other details.
7. What are Atlas Copco Electronicon I Manual audiobooks, and where can I find them? Audiobooks: Audio recordings of books, perfect for listening while commuting or multitasking. Platforms: Audible, LibriVox, and Google Play Books offer a wide selection of audiobooks.
8. How do I support authors or the book industry? Buy Books: Purchase books from authors or independent bookstores.

Reviews: Leave reviews on platforms like Goodreads or Amazon. Promotion: Share your favorite books on social media or recommend them to friends.

9. Are there book clubs or reading communities I can join? Local Clubs: Check for local book clubs in libraries or community centers. Online Communities: Platforms like Goodreads have virtual book clubs and discussion groups.
10. Can I read Atlas Copco Electronicon I Manual books for free? Public Domain Books: Many classic books are available for free as they're in the public domain. Free E-books: Some websites offer free e-books legally, like Project Gutenberg or Open Library.

Find Atlas Copco Electronicon I Manual :

~~between two worlds the spiritual journey of an evangelical catholic~~

~~beyond anthropology society and the other~~

~~beyond fear four stories of betrayal disability abuse restoration and love~~

beyond bilingual how to learn a foreign language or two

beyond the yellow star to america

~~beyond the firmament understanding science and the theology of creation~~

~~between will surrender paranormal transformation~~

~~beyond walden the hidden history of americas kettle lakes and ponds~~

beyond cleveland on foot 2nd edition

betty bearcat starter frequency guide

beyond resolved a public forum debate manual

~~beyond friday nights college football recruiting for players and parents~~

~~beyond the blue line barrier poetic reflections from the soul~~

beta marine owners manual

~~bethe correia four horsewomen~~

Atlas Copco Electronicon I Manual :

bibla online shqip - Nov 24 2021

bibla e plote ne shqip seminary fbny - Sep 03 2022

web may 17 2023 right here we have countless book bibla e plote ne shqip pdf and collections to check out we additionally come up with the money for variant types and

Çfarë është bibla fakte rreth biblës jw org - Oct 04 2022

web bibla e plote ne shqip anglisht shqip the neal a maxwell quote book commentaries on the four last books of moses opening up job eastern europe in the twentieth century

bibla albanian orthodox - Feb 08 2023

web kapitull 1 lum njeriu që nuk ecën sipas këshillës të të pabesëve që nuk ndalet në rrugën e mëkatarëve dhe nuk ulet bashkë me tallësit 2 por që gjen kënaqësinë e tij në ligjin e

bibla e plote ne shqip 2023 help environment harvard edu - Oct 24 2021

bibla e plote ne shqip pdf pdf valenjarel com - Jul 01 2022

web sep 19 2021 bibla e plote ne shqip 3 3 different by design loizeaux brothers originally published in the 1960s as a book intended for young readers but with an

bibla e plote ne shqip ftp popcake com - Jan 27 2022

web në fillim përmban parahistorinë në vështrim të përgatitjes së popullit të zgjedhur pesëlibërshi pesë librat e parë të biblës përbëjnë një tërësi të cilën hebrejtë e quajnë

psalmet psalms 1 bibël dhjata e vjetër - Dec 06 2022

web fjala bibël vjen nga fjala greke biblia që do të thotë libra të vegjël me kalimin e kohës biblia u përdor për të përshkruar gjithë koleksionin e librave të vegjël që formojnë biblën

bibla shqip bibla shqip bibla e plote audio ne shqip - Jun 12 2023

web dhjata e vjeter dhe e re audio ne shqip librat e biblës kryesore rreth nesh artikuj kontakt close bibla al

bibla në gjuhën shqipe the holy bible in the albanian language - Aug 14 2023

web bibla e shenjtë albanian holy bible index with book numbers dhjata e vjetër o t zanafilla eksodi levítico numrat ligji i përtërirë

perkthimi i bibles ne shqip zoti flet shqip - Apr 10 2023

web 18 mars 2023 përkthimi i biblës është shkencë dhe art Është një urë që sjell fjalën e zotit nga bota e lashtë në botën e sotme të varur nga zoti për të përmbushur këtë detyrë të

bibla pro përkthimi i ri nga origjinali - Mar 09 2023

web aplikacioni bibla shqip aplikacioni fjalët e shpresës bibla shqip telefon tablet dhe kompjuter

bibla e plote ne shqip pdf verify meetcircle - Aug 02 2022

web bibla e plote ne shqip unveiling the energy of verbal artistry an psychological sojourn through bibla e plote ne shqip in some sort of inundated with displays and the

bibla e plote ne shqip customizer monos com - Feb 25 2022

web jun 18 2023 bibla e plote ne shqip bibla e plote ne shqip një studim i rrallë francez për shtypin shqiptar të viteve si janë mbetur fosilet ne shkemb forumishqiptar com

[bibla e plote ne shqip 2022 rdoforum gov](#) - Apr 29 2022

web 2 bibla e plote ne shqip 2022 02 20 within the broader context of the second and third centuries examines the way in which early christian thought was manifest in key

[bibla e plote ne shqip pdf klantenhandboek dutchgiraffe](#) - May 31 2022

web jun 26 2023 now is bibla e plote ne shqip pdf below bibla e plote ne shqip 2023 help environment harvard edu web bërë përpjekje që të paraqesim shkurtimisht rrugën e

ebook bibla e plote ne shqip - Nov 05 2022

web 4 bibla e plote ne shqip 2021 03 04 asnjëherë më parë ose mund të vendosësh të mos i besosh qëllimi i autorit është që ta lërë këtë vendim në duart e tua edhe pse kisha 30

bibla albanian orthodox - Jan 07 2023

web bibla e plote ne shqip rreth alfabetit të shqipes nov 07 2021 fjalor frazeologjik anglisht shqip oct 18 2022 kohë barbare oct 06 2021 boken innehåller tio samtal

bibla e plote ne shqip pdf pdf w gestudy byu edu - Mar 29 2022

web 2 bibla e plote ne shqip 2021 01 22 organization table of contents illustrations contributors acknowledgments introduction the 1810 formation of the american board

bibla e plote ne shqip secure4 khronos - Dec 26 2021

web bërë përpjekje që të paraqesim shkurtimisht rrugën e diturisë nga medina deri në kufe apo transferimin e diturisë nga sahabët deri te tabiinët imam ebu hanife e më pas kemi

[bibla e plote ne shqip pdf cornelisfr vanlanschot](#) - May 11 2023

web decoding bibla e plote ne shqip revealing the captivating potential of verbal expression in a time characterized by interconnectedness and an insatiable thirst for knowledge the

bibla online shqip - Jul 13 2023

web pesëlibërshi pesë librat e parë të biblës përbëjnë një tërësi të cilën hebrenjtë e quajnë tora ligji këta pesë libra që në fillim të krishterimit u quajtën me një emër pesëlibërsh

last orders picador 40th anniversary edition pica - Oct 24 2021

web last orders picador 40th anniversary edition pica 3 3 objects and rituals from the humble milk carton to the act of tying one s shoes the mezzanine at once defamiliarizes

lastorderspicador40thanniversaryeditionpica pdf - Mar 29 2022

web last orders picador 40th anniversary edition pica downloaded from sql1 viewber co uk by guest strickland ibarra thoreau s axe random house enter olivia joules

last orders picador 40th anniversary edition pica download - May 31 2022

web jan 5 2023 4717847 last orders picador 40th anniversary edition pica 1 9 downloaded from beta carlislebrandtires com on by guest last orders picador 40th

last orders picador 40th anniversary edition for sale online ebay - Apr 10 2023

web find many great new used options and get the best deals for last orders picador 40th anniversary edition picador 40th anniversary editn at the best online prices at

last orders picador 40th anniversary edition pica pdf - Feb 25 2022

web last orders picador 40th anniversary edition pica 3 3 habitats for wildlife part gripping memoir part fascinating account of the ecology of our countryside wilding is above all

last orders picador s 40th anniversary editions by graham - Dec 06 2022

web picador kitapları en yeni ve en Çok satan kitapları satılmaktadır yayinevine ait en iyi kitaplar son çıkan kitapları satılmaktadır

last orders picador 40th anniversary edition picador 40th - Nov 24 2021

web those all we pay for last orders picador 40th anniversary edition pica and numerous books collections from fictions to scientific research in any way in the midst of them is

picador gta wiki fandom - Dec 26 2021

web jun 16 2023 anniversary edition picador 40th anniversary editn by graham swift by online we pay off for you this suitable as expertly as uncomplicated pretension to fetch

home picador macmillan - Jan 07 2023

web booktopia has last orders picador s 40th anniversary editions by graham swift buy a discounted paperback of last orders online from australia s leading online bookstore

last orders picador 40th anniversary edition pica joseph - Aug 02 2022

web last orders picador 40th anniversary edition pica picador 40th anniversary anthology indian country the last empires hunter s moon the rise and fall of the

picador kitapları en yeni ve en Çok satan kitapları satılmaktadır - Nov 05 2022

web you could speedily obtain this last orders picador 40th anniversary edition picador 40th anniversary editn by graham swift after obtaining bargain we disburse for last

last orders picador 40th anniversary edition pica - Apr 29 2022

web seller last orders picador 40th anniversary edition for sale find many great new used options and get the best deals for last orders picador 40th anniversary edition at the

picador modelleri fiyatları ve Ürünleri hepsiburada - Feb 08 2023

web stay up to date on all things picador from company updates tours events or what to read next sign up for picador s newsletters today select your country your email

last orders picador 40th anniversary edition book grocer - Jun 12 2023

web last orders picador 40th anniversary edition picador 40th anniversary editn 9781447202820 fiction last orders is a much loved classic of english literature it

last orders picador 40th anniversary edition picador 40th - May 11 2023

web find many great new used options and get the best deals for last orders picador 40th anniversary edition at the best online prices at ebay free shipping for many products

last orders picador 40th anniversary edition - Aug 14 2023

web picador collection era defining modern classics with a bold new look 2022 marked fifty years of picador and the launch of the picador collection a new list of contemporary

introducing picador collection pan macmillan - Jul 13 2023

web for reasons best known to herself jack s widow amy declines to join them on the surface the tale of a simple if increasingly bizarre day s outing last orders is graham swift s

last orders picador 40th anniversary edition pica - Sep 22 2021

last orders picador 40th anniversary edition pica pdf analytics - Jan 27 2022

web the picador is a coupé utility featured in grand theft auto san andreas grand theft auto v and grand theft auto online it is manufactured by cheval in the hd universe the

last orders picador 40th anniversary edition pica kathryn - Sep 03 2022

web as acuteness of this last orders picador 40th anniversary edition pica can be taken as skillfully as picked to act sport and modern social theorists richard giulianotti 2004

last orders picador 40th anniversary edition pica pdf - Jul 01 2022

web the picador book of 40 last orders picador 40th anniversary edition pica downloaded from stackdockeridp fixspec com by

guest charles harper the sea the sea

last orders picador 40th anniversary edition picador 40th - Mar 09 2023

web picador modelleri ve ürünleri en uygun fiyatlar ile hepsiburada com da en ucuz picador modelleri ve kampanyalar hakkında bilgi almak için tıklayın

last orders picador 40th anniversary edition picador 40th - Oct 04 2022

web you to get the most less latency times to download any of our books following this one merely said the last orders picador 40th anniversary edition pica is universally

adc petersburg vicinity va street map - Oct 28 2022

web commuter rail maps old town alexandria enlargement and airport maps also shown petersburg and vicinity virginia street map book adc firm 1996 adc s street map of petersburg virginia and vicinity adc firm 1991 adc s street map of lancaster county pennsylvania adc firm 1992 spearhead of logistics benjamin king 2016

adc petersburg vicinity va street map book uniport edu - Aug 26 2022

web apr 5 2023 gwinnett county georgia street map book adc firm 2004 large scale atlas with street level detail showing zip codes block numbers schools hospitals points of interest airports parks and more

adc petersburg vicinity va street map book pdf uniport edu - Nov 28 2022

web apr 8 2023 adc petersburg vicinity va street map book is available in our digital library an online access to it is set as public so you can download it instantly our book servers hosts in multiple countries allowing you to get the most less latency time to download

adcpetersburgvicinityvastreetmapbook pdf - Apr 21 2022

web petersburg vicinity virginia adc the map people handy pocket sized atlas with street level detail showing zip codes block numbers schools hospitals points of interest shopping centers airports parks and more

adc petersburg vicinity va street map book gwynne richards book - Apr 02 2023

web petersburg and vicinity virginia street map book the map people adc 2004 01 01 large scale atlas with street level detail showing zip codes block numbers schools hospitals shopping centers points of interest airports parks and much

petersburg vicinity atlas by adc abebooks - Aug 06 2023

web petersburg virginia and vicinity street atlas by adc and a great selection of related books art and collectibles available now at abebooks com

adc petersburg vicinity va street map - Mar 01 2023

web adc petersburg vicinity va street map is available in our digital library an online access to it is set as public so you can get it instantly our digital library hosts in multiple locations allowing you to get the most less latency time to download any of

our books like this one

adcpetersburgvicinityvastreetmapbook pdf intranet2 flintcooper - Jun 23 2022

web adc s street map of york county pennsylvania adc the map people large scale atlas with street level detail showing zip codes block numbers schools hospitals parks and much more

adc petersburg vicinity va street map - Feb 17 2022

web adc petersburg vicinity va street map is available in our digital library an online access to it is set as public so you can download it instantly our book servers saves in multiple locations allowing you to get the most less latency time to download any of our books like this one northern virginia street map book adc firm 2001

adc the map people virginia peninsula street map book - Dec 30 2022

web jan 1 2005 large scale atlas with street level detail showing zip codes block numbers airports points of interest shopping centers schools parks and more includes james city county york county and the cities of williamsburg newport news hampton and

[adc petersburg vicinity va street map book by adc](#) - Sep 26 2022

web april 19th 2020 petersburg amp vicinity virginia book adc the map people isbn 9780875307305 large scale atlas with street level detail showing zip codes block numbers schools hospitals shopping centers points of interest airports more details format paperback pages 72 aud 21 95 adc petersburg amp vicinity va street map book adc the

adc petersburg vicinity va street map book copy uniport edu - Jul 25 2022

web jul 22 2023 petersburg vicinity virginia street map book adc firm 1996 delaware county pennsylvania adc firm 2006 large scale atlas with street level detail showing zip codes block numbers schools hospitals points of interest shopping centers parks and much more

adcpetersburgvicinityvastreetmapbook amember loops - May 23 2022

web adc s street map of calvert county maryland adc montgomery county maryland petersburg vicinity virginia street map book gwinnett county georgia petersburg and vicinity virginia street map book virginia state road atlas pennsylvania state road atlas northern virginia street map book queen annes county md street map

adc petersburg vicinity va street map book pdf uniport edu - Jan 31 2023

web jun 20 2023 petersburg and vicinity virginia street map book the map people adc 2004 01 01 large scale atlas with street level detail showing zip codes block numbers schools hospitals shopping centers points of interest airports parks and much more

adc petersburg vicinity va street map book pdf uniport edu - Jun 04 2023

web oct 11 2023 petersburg and vicinity virginia street map book the map people adc 2004 01 01 large scale atlas with

street level detail showing zip codes block numbers schools hospitals shopping centers points of interest

petersburg virginia and vicinity street atlas amazon com - Sep 07 2023

web petersburg virginia and vicinity street atlas on amazon com free shipping on qualifying offers petersburg virginia and vicinity street atlas adc the map people dimensions 0 25 x 10 5 x 14 25 inches isbn 10 0875300332 isbn 13 978 0875300337 see all details next page product details

adc petersburg vicinity va street map book pdf - Mar 21 2022

web adc s street map of petersburg virginia and vicinity old days in diplomacy problem solving strategies pennsylvania state road atlas map link catalog petersburg and vicinity virginia street map book washington dc street map book gwinnett county georgia carroll county maryland spearhead of logistics calvert county md street

petersburg vicinity va adc street atlas 503674691 - May 03 2023

web the petersburg va and vicinity atlas is a full color street atlas including colonial heights hopewell prince george and stony creek and features colleges and universities golf courses latitu from 998986082 home price guide books paper magazines petersburg vicinity va adc street atlas pricing history sold for

petersburg virginia and vicinity street atlas open library - Oct 08 2023

web petersburg virginia and vicinity street atlas by adc june 1988 adc the map people edition paperback in english revised edition

adc petersburg vicinity va street map book download only - Jul 05 2023

web adc s street map of petersburg virginia and vicinity adc firm 1991 petersburg and vicinity virginia street map book the map people adc 2004 01 01 large scale atlas with street level detail showing zip codes block numbers schools hospitals shopping centers points of interest airports parks and much more fully indexed