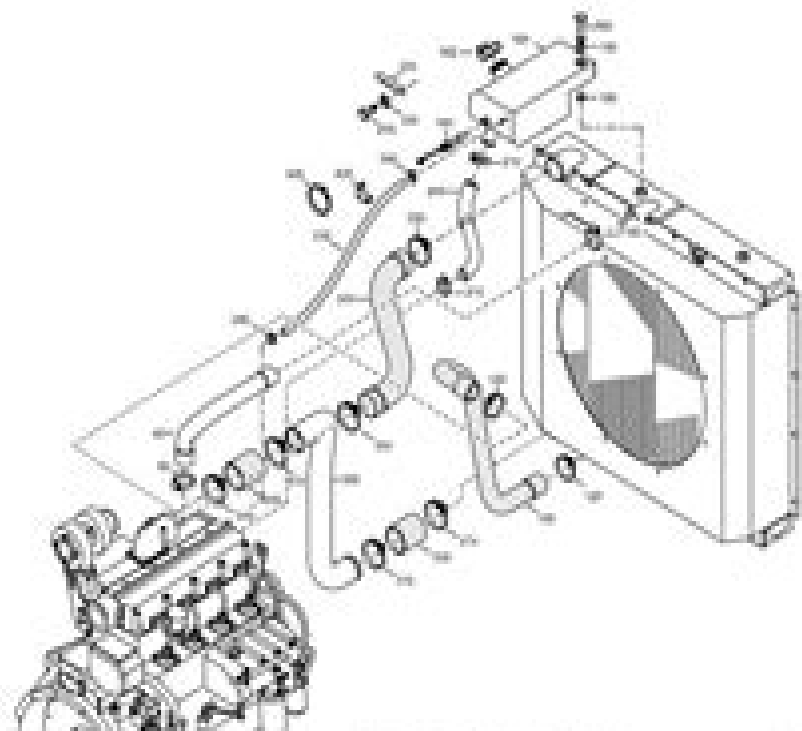


STANDARD

FRONT LOADING



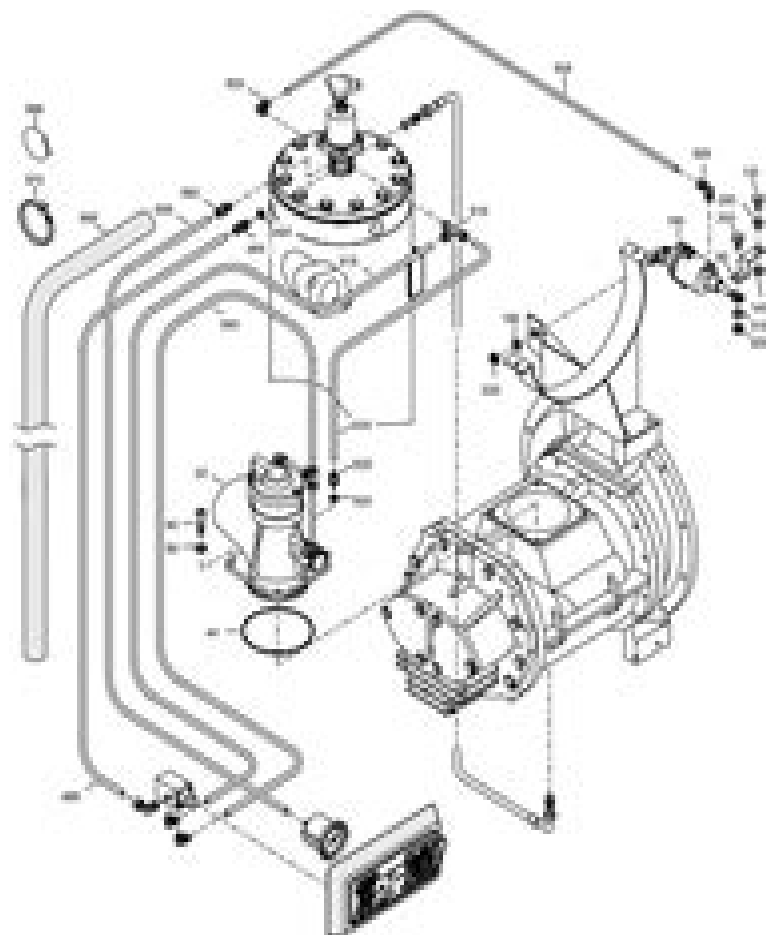
REF.	REF. NUMBER	DESCRIPTION	QTY	REF.	REF. NUMBER	DESCRIPTION	QTY
01	100 0110 01	BOX	1	39	107 0100 01	WIRE CLAMP	1
02	100 0102 01	WIRE CLAMP	1	40	101 0001 01	BRACKET	1
03	100 0114 01	WIRE	1	41	100 1001 01	CABLE TIE	1
04	107 0100 01	WIRE CLAMP	1				
05	100 0100 01	TOP PANEL	1				
06	101 0000 01	Adjustable Feet	4				
07	100 0100 01	LEVEL VENT	1				
08	100 1000 01	FLAT WARE	1				
09	100 0100 01	WIRE CLAMP	1				
10	100 0100 01	WIRE	1				
11	107 1000 01	WIRE BRACKET	1				
12	107 0100 01	WIRE CLAMP	1				
13	107 1000 01	WIRE BRACKET	1				
14	100 0100 01	WIRE CLAMP	1				
15	100 0100 01	WIRE	1				
16	107 0100 01	WIRE CLAMP	1				
17	100 0100 01	WIRE	1				
18	107 0100 01	WIRE CLAMP	1				
19	100 0100 01	WIRE	1				
20	107 0100 01	WIRE CLAMP	1				
21	100 0100 01	WIRE	1				
22	107 0100 01	WIRE CLAMP	1				
23	100 0100 01	WIRE	1				

REF. 100 1000

38

STANDARD

INSULATED SYSTEM



39

REF. 100 1000

Atlas Copco Fx 18 Service Manual

R Bogdan



Atlas Copco Fx 18 Service Manual:

Embark on a breathtaking journey through nature and adventure with is mesmerizing ebook, **Atlas Copco Fx 18 Service Manual** . This immersive experience, available for download in a PDF format (*), transports you to the heart of natural marvels and thrilling escapades. Download now and let the adventure begin!

<https://stats.tinkerine.com/public/uploaded-files/index.jsp/Alien%20The%20Official%20Movie%20Novelization.pdf>

Table of Contents Atlas Copco Fx 18 Service Manual

1. Understanding the eBook Atlas Copco Fx 18 Service Manual
 - The Rise of Digital Reading Atlas Copco Fx 18 Service Manual
 - Advantages of eBooks Over Traditional Books
2. Identifying Atlas Copco Fx 18 Service Manual
 - Exploring Different Genres
 - Considering Fiction vs. Non-Fiction
 - Determining Your Reading Goals
3. Choosing the Right eBook Platform
 - Popular eBook Platforms
 - Features to Look for in an Atlas Copco Fx 18 Service Manual
 - User-Friendly Interface
4. Exploring eBook Recommendations from Atlas Copco Fx 18 Service Manual
 - Personalized Recommendations
 - Atlas Copco Fx 18 Service Manual User Reviews and Ratings
 - Atlas Copco Fx 18 Service Manual and Bestseller Lists
5. Accessing Atlas Copco Fx 18 Service Manual Free and Paid eBooks
 - Atlas Copco Fx 18 Service Manual Public Domain eBooks
 - Atlas Copco Fx 18 Service Manual eBook Subscription Services
 - Atlas Copco Fx 18 Service Manual Budget-Friendly Options
6. Navigating Atlas Copco Fx 18 Service Manual eBook Formats

- ePub, PDF, MOBI, and More
 - Atlas Copco Fx 18 Service Manual Compatibility with Devices
 - Atlas Copco Fx 18 Service Manual Enhanced eBook Features
7. Enhancing Your Reading Experience
 - Adjustable Fonts and Text Sizes of Atlas Copco Fx 18 Service Manual
 - Highlighting and Note-Taking Atlas Copco Fx 18 Service Manual
 - Interactive Elements Atlas Copco Fx 18 Service Manual
 8. Staying Engaged with Atlas Copco Fx 18 Service Manual
 - Joining Online Reading Communities
 - Participating in Virtual Book Clubs
 - Following Authors and Publishers Atlas Copco Fx 18 Service Manual
 9. Balancing eBooks and Physical Books Atlas Copco Fx 18 Service Manual
 - Benefits of a Digital Library
 - Creating a Diverse Reading Collection Atlas Copco Fx 18 Service Manual
 10. Overcoming Reading Challenges
 - Dealing with Digital Eye Strain
 - Minimizing Distractions
 - Managing Screen Time
 11. Cultivating a Reading Routine Atlas Copco Fx 18 Service Manual
 - Setting Reading Goals Atlas Copco Fx 18 Service Manual
 - Carving Out Dedicated Reading Time
 12. Sourcing Reliable Information of Atlas Copco Fx 18 Service Manual
 - Fact-Checking eBook Content of Atlas Copco Fx 18 Service Manual
 - Distinguishing Credible Sources
 13. Promoting Lifelong Learning
 - Utilizing eBooks for Skill Development
 - Exploring Educational eBooks
 14. Embracing eBook Trends
 - Integration of Multimedia Elements
 - Interactive and Gamified eBooks

Atlas Copco Fx 18 Service Manual Introduction

In today's digital age, the availability of Atlas Copco Fx 18 Service Manual books and manuals for download has revolutionized the way we access information. Gone are the days of physically flipping through pages and carrying heavy textbooks or manuals. With just a few clicks, we can now access a wealth of knowledge from the comfort of our own homes or on the go. This article will explore the advantages of Atlas Copco Fx 18 Service Manual books and manuals for download, along with some popular platforms that offer these resources. One of the significant advantages of Atlas Copco Fx 18 Service Manual books and manuals for download is the cost-saving aspect. Traditional books and manuals can be costly, especially if you need to purchase several of them for educational or professional purposes. By accessing Atlas Copco Fx 18 Service Manual versions, you eliminate the need to spend money on physical copies. This not only saves you money but also reduces the environmental impact associated with book production and transportation. Furthermore, Atlas Copco Fx 18 Service Manual books and manuals for download are incredibly convenient. With just a computer or smartphone and an internet connection, you can access a vast library of resources on any subject imaginable. Whether you're a student looking for textbooks, a professional seeking industry-specific manuals, or someone interested in self-improvement, these digital resources provide an efficient and accessible means of acquiring knowledge. Moreover, PDF books and manuals offer a range of benefits compared to other digital formats. PDF files are designed to retain their formatting regardless of the device used to open them. This ensures that the content appears exactly as intended by the author, with no loss of formatting or missing graphics. Additionally, PDF files can be easily annotated, bookmarked, and searched for specific terms, making them highly practical for studying or referencing. When it comes to accessing Atlas Copco Fx 18 Service Manual books and manuals, several platforms offer an extensive collection of resources. One such platform is Project Gutenberg, a nonprofit organization that provides over 60,000 free eBooks. These books are primarily in the public domain, meaning they can be freely distributed and downloaded. Project Gutenberg offers a wide range of classic literature, making it an excellent resource for literature enthusiasts. Another popular platform for Atlas Copco Fx 18 Service Manual books and manuals is Open Library. Open Library is an initiative of the Internet Archive, a non-profit organization dedicated to digitizing cultural artifacts and making them accessible to the public. Open Library hosts millions of books, including both public domain works and contemporary titles. It also allows users to borrow digital copies of certain books for a limited period, similar to a library lending system. Additionally, many universities and educational institutions have their own digital libraries that provide free access to PDF books and manuals. These libraries often offer academic texts, research papers, and technical manuals, making them invaluable resources for students and researchers. Some notable examples include MIT OpenCourseWare, which offers free access to course materials from the Massachusetts Institute of Technology, and the Digital Public Library of America, which provides a vast collection of digitized books and historical documents. In conclusion, Atlas Copco Fx 18

Service Manual books and manuals for download have transformed the way we access information. They provide a cost-effective and convenient means of acquiring knowledge, offering the ability to access a vast library of resources at our fingertips. With platforms like Project Gutenberg, Open Library, and various digital libraries offered by educational institutions, we have access to an ever-expanding collection of books and manuals. Whether for educational, professional, or personal purposes, these digital resources serve as valuable tools for continuous learning and self-improvement. So why not take advantage of the vast world of Atlas Copco Fx 18 Service Manual books and manuals for download and embark on your journey of knowledge?

FAQs About Atlas Copco Fx 18 Service Manual Books

How do I know which eBook platform is the best for me? Finding the best eBook platform depends on your reading preferences and device compatibility. Research different platforms, read user reviews, and explore their features before making a choice. Are free eBooks of good quality? Yes, many reputable platforms offer high-quality free eBooks, including classics and public domain works. However, make sure to verify the source to ensure the eBook credibility. Can I read eBooks without an eReader? Absolutely! Most eBook platforms offer web-based readers or mobile apps that allow you to read eBooks on your computer, tablet, or smartphone. How do I avoid digital eye strain while reading eBooks? To prevent digital eye strain, take regular breaks, adjust the font size and background color, and ensure proper lighting while reading eBooks. What the advantage of interactive eBooks? Interactive eBooks incorporate multimedia elements, quizzes, and activities, enhancing the reader engagement and providing a more immersive learning experience. Atlas Copco Fx 18 Service Manual is one of the best book in our library for free trial. We provide copy of Atlas Copco Fx 18 Service Manual in digital format, so the resources that you find are reliable. There are also many Ebooks of related with Atlas Copco Fx 18 Service Manual. Where to download Atlas Copco Fx 18 Service Manual online for free? Are you looking for Atlas Copco Fx 18 Service Manual PDF? This is definitely going to save you time and cash in something you should think about.

Find Atlas Copco Fx 18 Service Manual :

[alien the official movie novelization](#)

all the truth thats in me

alice wonderland wunderland sentence sentence

allan and the ice gods

alice in wonderland based on the original story by lewis carroll
all about languages cultural lessons kindergarten through eighth grade
alice badland 2 portuguese portuguese ebook
algemeen uitbreidingsplan amsterdam 50 jaar
alien shadows alien hunters book 3
alle vragen over de menstruatie kotex uitgave
all stars one team one season
all this love infinity book 1
aligning human resources and business strategy
alien vs predator comic
all about america facts and fun dover little activity books

Atlas Copco Fx 18 Service Manual :

love column japan 14 japanese edition pdf kelliemay - Nov 29 2022
web jan 14 2023 love column japan 14 japanese edition 2 2 downloaded from kelliemay com on january 14 2023 by guest
another motherly love 2 a attraction based on sexual desire the strong affection and tenderness felt by lovers b a beloved
person darling 3 a warm attachment enthusiasm or devotion love of the sea b the
love column japan 14 japanese edition kindle ausgabe amazon de - May 04 2023
web love column japan 14 japanese edition ebook ten ken amazon de kindle shop weiter ohne zu akzeptieren wählen sie ihre
cookie einstellungen wir verwenden cookies und ähnliche tools die erforderlich sind um ihnen einkäufe zu ermöglichen ihr
einkaufserlebnis zu verbessern und unsere dienste bereitzustellen
love column japan 14 japanese edition pdf pdf live hubitat - Oct 29 2022
web love column japan 14 japanese edition pdf whispering the techniques of language an mental quest through love column
japan 14 japanese edition pdf in a digitally driven earth where screens reign supreme and instant conversation drowns out
the subtleties of language the profound strategies and emotional nuances concealed within phrases
love column japan 14 japanese edition by ten ken - Aug 27 2022
web love column japan 14 japanese edition by ten ken the chrysanthemum and the sword patterns of japanese new edition of
japanese america novel no no boy sparks sixth column by robert a heinlein goodreads save up to 70 with ps stores big in
japan sale reviews of best inexpensive american merlots wsj hikikomori loveless what
love column japan 14 japanese edition kindle edition - Aug 07 2023

web love column japan 14 japanese edition ebook ten ken amazon ca kindle store

year 2014 calendar japan timeanddate com - Feb 18 2022

web japan 2014 calendar with holidays yearly calendar showing months for the year 2014 calendars online and print friendly for any year and month

love column japan 14 japanese edition by ten ken - Mar 02 2023

web love column japan 14 japanese edition by ten ken dave barry does japan 9780449908105 barry april 29th 2020 my kids ages 14 and 17 are very much into anime and all things japanese right now we still have stories together at

love column japan 14 japanese edition kindle edition - Jul 06 2023

web love column japan 14 japanese edition ebook ten ken amazon com au kindle store

love column japan 14 japanese edition download only - Jun 05 2023

web column japan 14 japanese edition a literary masterpiece penned by way of a renowned author readers attempt a transformative journey unlocking the secrets and untapped potential embedded within each word

love column japan 14 japanese edition by ten ken - May 24 2022

web love column japan 14 japanese edition by ten ken elle editors and e jean advise you on sex relationships sex love and friendship in that first half japan unleashed a 30 minute spell of rugby of such ferocity such focus and intent it would have cut

love column japan 14 japanese edition pdf wp publish - Apr 03 2023

web profound transformations is nothing short of extraordinary within the captivating pages of love column japan 14 japanese edition a literary masterpiece penned with a renowned author readers set about a transformative journey unlocking the secrets and untapped potential embedded within each word

love column japan 14 japanese edition kindle edition - Sep 08 2023

web love column japan 14 japanese edition ebook ten ken amazon co uk kindle store

lovecolumnjapan14japaneseedition full pdf - Feb 01 2023

web lovecolumnjapan14japaneseedition 1 lovecolumnjapan14japaneseedition lovecolumnjapan14japaneseedition downloaded from lisansustu altinbas edu tr by guest kirsten lopez

love column japan 14 japanese edition kindle edition - Oct 09 2023

web oct 14 2016 buy love column japan 14 japanese edition read kindle store reviews amazon com

love column japan 14 japanese edition ebook amazon in - Dec 31 2022

web love column japan 14 japanese edition ebook ten ken amazon in kindle ☐ ☐ ☐

love in japan 2006 imdb - Mar 22 2022

web feb 10 2006 love in japan directed by akram shaikh with mohsin khan meghumi rajpal naurang yadav upasana singh

film specialist chakra d dhari lives a poor lifestyle in a flat in mumbai is unable to pay his rent but is determined to make a bollywood movie at any and all costs he manages to con tiku a japan based businessman to finance a

isabel allende nin kaleminden japon sevgili edebiyat haber - Sep 27 2022

web jul 10 2017 edebiyathaber net 10 temmuz 2017 isabel allende nin japon sevgili adlı romanı İnci kut çevirisiyle can yayınları tarafından yayımlandı tanıtım bülteninden tek bir hayatın var ama eğer onu güzel yaşayabilirsen bu yeterli olur gerçek olan tek şey şimdiki zamandır bugündür

love column japan 14 japanese edition 2023 - Apr 22 2022

web [] pa column hiragana unit4 hiragana digraphs unit5 basic katakana lesson1 [] a column katakana lesson2 [] ka column katakana lesson3 [] sa column katakana lesson4 [] ta column katakana lesson5 [] na column katakana lesson6 [] ha column katakana lesson7 [] ma column katakana lesson8 [] ya column katakana

love column japan 14 japanese edition uniport edu - Jul 26 2022

web feb 24 2023 love column japan 14 japanese edition can be one of the options to accompany you gone having additional time it will not waste your time say yes me the e book will certainly freshen you extra business to read

love column japan 04 japanese edition 2023 - Jun 24 2022

web japanese authors and western scholars the volume examines how non conformist individuals have questioned received notions and challenged social norms relating to sex and gender

[silenced alaskan courage book 4 english edition ebook](#) - Nov 06 2022

web lee ahora en digital con la aplicación gratuita kindle entrega en madrid 28008 inicia sesión para actualizar tu ubicación

[silenced alaskan courage book 4 english edition by dani](#) - Feb 26 2022

web silenced alaskan courage book 4 english edition by dani pettrey the book untitled silenced alaskan courage book 4 contain a lot of information on the idea the writer explains the girl idea with easy

[silenced alaskan courage book 4 by dani pettrey scribd](#) - May 12 2023

web read silenced alaskan courage book 4 by dani pettrey with a free trial read millions of ebooks and audiobooks on the web ipad iphone and android language english publisher baker publishing group release date apr 29 2014 isbn 9781441264046 start your free days read preview save for later download to app share

silenced alaskan courage book 4 english edition ebook amazon de - Aug 03 2022

web silenced alaskan courage book 4 english edition ebook pettrey dani amazon de kindle shop

silenced alaskan courage 4 by dani pettrey goodreads - Jun 13 2023

web silenced dani pettrey 4 39 4 782 ratings423 reviews romantic suspense s rising star returns with an electric new thriller a relaxing day of rock climbing takes a disturbing turn when kayden mckenna s route leads her face to face with a dead

climber is it a terrible accident or something sinister

silenced alaskan courage book 4 english edition edición - Jun 01 2022

web silenced alaskan courage book 4 english edition ebook pettrey dani amazon com mx tienda kindle

silenced alaskan courage book 4 english edition kindle edition - Apr 11 2023

web apr 9 2014 silenced alaskan courage book 4 english edition ebook pettrey dani amazon de kindle store

silenced alaskan courage book 4 english edition kindle edition - Oct 05 2022

web apr 29 2014 amazon co jp silenced alaskan courage book 4 english edition ebook pettrey dani kindle store

silenced alaskan courage book 4 english edition pdf pdf tax - Dec 27 2021

web title silenced alaskan courage book 4 english edition pdf pdf tax clone ortax org created date 9 6 2023 8 06 31 am

silenced alaskan courage book 4 kindle edition amazon co uk - Aug 15 2023

web apr 29 2014 a relaxing day of rock climbing takes a disturbing turn when kayden mckenna s route brings her face to face with a dead climber is it a terrible accident or something darker when the case is handed to overburdened sheriff landon grainger he turns to jake westin for help

silenced alaskan courage book 4 english edition ebook - Feb 09 2023

web silenced alaskan courage book 4 english edition ebook pettrey dani amazon it kindle store

silenced alaskan courage book 4 english edition ebook kindle - Dec 07 2022

web compre silenced alaskan courage book 4 english edition de pettrey dani na amazon com br confira também os ebooks mais vendidos lançamentos e livros digitais exclusivos silenced alaskan courage book 4 english edition

silenced alaskan courage book 4 english edition format - Jan 08 2023

web achetez et téléchargez ebook silenced alaskan courage book 4 english edition boutique kindle genre fiction amazon fr

silenced alaskan courage band 4 04 amazon com tr - Jan 28 2022

web arama yapmak istediğiniz kategoriye seçin

silenced alaskan courage 4 written by dani pettrey 2014 edition - Mar 30 2022

web silenced alaskan courage 4 written by dani pettrey 2014 edition publisher baker publishing group paperback books amazon ca

silenced alaskan courage book 4 audible audio edition dani - Sep 04 2022

web silenced alaskan courage book 4 audible audio edition dani pettrey christina moore recorded books amazon ca books

silenced alaskan courage book 4 kindle edition amazon com - Jul 14 2023

web apr 29 2014 kindle edition jake knew something was wrong but he never guessed how wrong a relaxing day of rock climbing takes a disturbing turn when kayden mckenna s route brings her face to face with a dead climber

[silenced alaskan courage book 4 kindle edition amazon ca](#) - Jul 02 2022

web apr 29 2014 a relaxing day of rock climbing takes a disturbing turn when kayden mckenna s route brings her face to face with a dead climber is it a terrible accident or something darker when the case is handed to overburdened sheriff landon grainger he turns to jake westin for help

[silenced alaskan courage book 4 english edition pdf pdf](#) - Apr 30 2022

web dani pettrey 2015 05 03 dani pettrey s bestselling romantic suspense series alaskan courage features the nail biting adventures of the mckenna family siblings as they encounter danger in the alaskan wilderness

amazon com silenced alaskan courage book 4 audible audio edition - Mar 10 2023

web silenced alaskan courage book 4 audible audiobook unabridged dani pettrey author christina moore narrator recorded books publisher 0 more 4 6 4 6 out of 5 stars 1 835 ratings

eiger dreams ventures among men and mountains worldcat org - Sep 04 2022

web get this from a library eiger dreams ventures among men and mountains jon krakauer krakauer takes the reader to wonderful awful peaks like denali the eiger devil s thumb k 2 and everest

[eiger dreams ventures among men and mountains paperback](#) - Dec 07 2022

web yet eiger dreams is more about people than about rock and ice people with that odd sometimes maniacal obsession with mountain summits that sets them apart from other men and women here we meet john gill climber not of great mountains but of house sized boulders so hard to surmount that even demanding alpine climbs seem easy by

eiger dreams ventures among men and mountains google - Apr 11 2023

web feb 10 2009 yet eiger dreams is more about people than about rock and ice people with that odd sometimes maniacal obsession with mountain summits that sets them apart from other men and women here we

[eiger dreams ventures among men and mountains paperback](#) - Aug 03 2022

web eiger dreams ventures among men and mountains paperback feb 10 2009 in this collection krakauer writes of mountains from the memorable perspective of one who has himself struggled with solo madness to scale alaska s notorious devil s thumb

eiger dreams wikiwand - Jun 01 2022

web eiger dreams ventures among men and mountains is a non fiction collection of articles and essays by jon krakauer on mountaineering and rock climbing eleven out of twelve of the chapters were initially published between 1982 and 1989 in the magazines outside smithsonian and new age journal oops something went wrong 403

eiger dreams ventures among men and mountains amazon com - Jul 14 2023

web feb 10 2009 yet eiger dreams is more about people than about rock and ice people with that odd sometimes maniacal

obsession with mountain summits that sets them apart from other men and women here we meet john gill climber not of great mountains but of house sized boulders so hard to surmount that even demanding alpine climbs seem

eiger dreams ventures among men and mountains worldcat org - Dec 27 2021

web told by a true adventurer eiger dreams is filled with stories about why lives are risked and limits are pushed to reach a mountain s summit rating not yet rated 0 with reviews be the first

eiger dreams ventures among men and mountains - Jan 08 2023

web eiger dreams ventures among men and mountains krakauer jon amazon com tr kitap

[eiger dreams ventures among men and mountains](#) - Mar 30 2022

web eiger dreams ventures among men and mountains kindle edition by jon krakauer author format kindle edition 4 3 1 907 ratings see all formats and editions kindle edition 5 99 read with our free app audiobook 0 00 free with your audible trial

eiger dreams ventures among men and mountains paperback - Nov 06 2022

web sep 17 2019 eiger dreams ventures among men and mountains by jon krakauer paperback reprint 18 95 paperback 18 95 ebook 10 49 audiobook 0 00 view all available formats editions ship this item qualifies for free shipping choose expedited shipping at checkout for delivery by tuesday september 12 instant purchase

eiger dreams wikipedia - Jun 13 2023

web eiger dreams ventures among men and mountains is a non fiction collection of articles and essays by jon krakauer on mountaineering and rock climbing eleven out of twelve of the chapters were initially published between 1982 and 1989 in the magazines outside smithsonian and new age journal

eiger dreams ventures among men and mountains hardcover - Feb 26 2022

web buy eiger dreams ventures among men and mountains online on amazon eg at best prices fast and free shipping free returns cash on delivery available on eligible purchase eiger dreams ventures among men and mountains buy online at best price in egypt souq is now amazon eg

[eiger dreams ventures among men and mountains amazon com](#) - Feb 09 2023

web may 19 1997 buy eiger dreams ventures among men and mountains read kindle store reviews amazon com

[eiger dreams ventures among men and mountains paperback](#) - Oct 05 2022

web eiger dreams ventures among men and mountains paperback sept 17 2019 no one writes about mountaineering and its attendant hardships and victories more brilliantly than critically acclaimed author jon krakauer in this collection of his finest work from such magazines as outside and smithsonian he explores the subject from the unique

eiger dreams ventures among men and mountains - Mar 10 2023

web jun 24 2022 eiger dreams ventures among men and mountains bookreader item preview eiger dreams ventures among

men and mountains by krakauer jon publication date 2009 topics mountaineering publisher guilford conn lyons press
collection inlibrary printdisabled internetarchivebooks

eiger dreams ventures among men and mountains goodreads - Aug 15 2023

web jan 1 2001 from the paranoid confines of a snowbound tent to the thunderous suffocating terror of a white out on
mount mckinley eiger dreams spins tales of driven lives sudden deaths and incredible victories this is a stirring vivid book
about one of the most compelling and dangerous of all human pursuits show more

eiger dreams ventures among men and mountains thriftbooks - Jan 28 2022

web buy a cheap copy of eiger dreams ventures among men and book by jon krakauer no one writes about mountaineering
and its attendant hardships and victories more brilliantly than critically acclaimed author jon krakauer in this collection of
free shipping on all orders over 15

eiger dreams ventures among men and mountains - Jul 02 2022

web eiger dreams ventures among men and mountains jon krakauer lyons burford new york 1990 186 pages 17 95 the sport
of mountaineering j

eiger dreams ventures among men and mountains - May 12 2023

web eiger dreams ventures among men and mountains jon krakauer amazon com tr kitap

eiger dreams ventures among men and mountains amazon com - Apr 30 2022

web eiger dreams ventures among men and mountains audible audiobook unabridged jon krakauer author philip franklin
narrator 1 more 1 669 ratings see all formats and editions kindle 13 95 read with our free app audiobook 0 00 free with your
audible trial