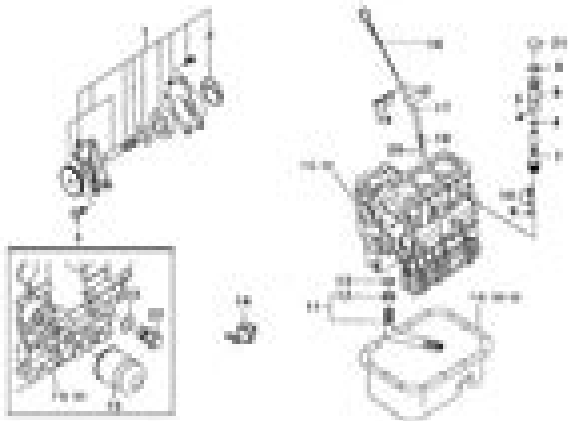


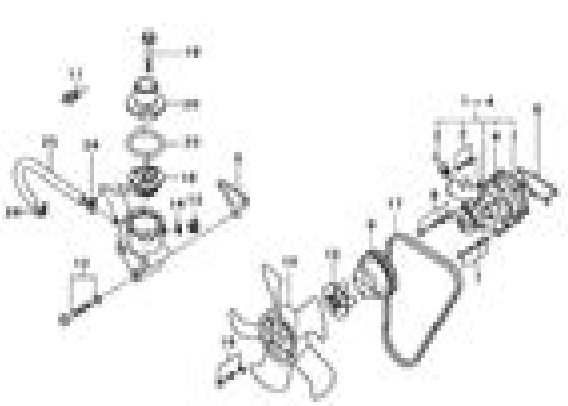
FIG.114 LUBRICATING PARTS



Qty	Part No.	Part Name	Unit	Material	Part No.	RP Application	Description	Remarks

15.10.2014 08:00:10

FIG.115 COOLING PARTS



Qty	Part No.	Part Name	Unit	Material	Part No.	RP Application	Description	Remarks

15.10.2014 08:00:10

Bf42015 Parts Manual

Engine Service Association



Bf42015 Parts Manual:

Unveiling the Magic of Words: A Report on "**Bf42015 Parts Manual**"

In a world defined by information and interconnectivity, the enchanting power of words has acquired unparalleled significance. Their power to kindle emotions, provoke contemplation, and ignite transformative change is truly awe-inspiring. Enter the realm of "**Bf42015 Parts Manual**," a mesmerizing literary masterpiece penned by way of a distinguished author, guiding readers on a profound journey to unravel the secrets and potential hidden within every word. In this critique, we shall delve into the book's central themes, examine its distinctive writing style, and assess its profound effect on the souls of its readers.

https://stats.tinkerine.com/files/detail/Download_PDFS/bacteria_and_archaea_study_guide.pdf

Table of Contents Bf42015 Parts Manual

1. Understanding the eBook Bf42015 Parts Manual
 - The Rise of Digital Reading Bf42015 Parts Manual
 - Advantages of eBooks Over Traditional Books
2. Identifying Bf42015 Parts Manual
 - Exploring Different Genres
 - Considering Fiction vs. Non-Fiction
 - Determining Your Reading Goals
3. Choosing the Right eBook Platform
 - Popular eBook Platforms
 - Features to Look for in an Bf42015 Parts Manual
 - User-Friendly Interface
4. Exploring eBook Recommendations from Bf42015 Parts Manual
 - Personalized Recommendations
 - Bf42015 Parts Manual User Reviews and Ratings
 - Bf42015 Parts Manual and Bestseller Lists

5. Accessing Bf42015 Parts Manual Free and Paid eBooks
 - Bf42015 Parts Manual Public Domain eBooks
 - Bf42015 Parts Manual eBook Subscription Services
 - Bf42015 Parts Manual Budget-Friendly Options
6. Navigating Bf42015 Parts Manual eBook Formats
 - ePub, PDF, MOBI, and More
 - Bf42015 Parts Manual Compatibility with Devices
 - Bf42015 Parts Manual Enhanced eBook Features
7. Enhancing Your Reading Experience
 - Adjustable Fonts and Text Sizes of Bf42015 Parts Manual
 - Highlighting and Note-Taking Bf42015 Parts Manual
 - Interactive Elements Bf42015 Parts Manual
8. Staying Engaged with Bf42015 Parts Manual
 - Joining Online Reading Communities
 - Participating in Virtual Book Clubs
 - Following Authors and Publishers Bf42015 Parts Manual
9. Balancing eBooks and Physical Books Bf42015 Parts Manual
 - Benefits of a Digital Library
 - Creating a Diverse Reading Collection Bf42015 Parts Manual
10. Overcoming Reading Challenges
 - Dealing with Digital Eye Strain
 - Minimizing Distractions
 - Managing Screen Time
11. Cultivating a Reading Routine Bf42015 Parts Manual
 - Setting Reading Goals Bf42015 Parts Manual
 - Carving Out Dedicated Reading Time
12. Sourcing Reliable Information of Bf42015 Parts Manual
 - Fact-Checking eBook Content of Bf42015 Parts Manual
 - Distinguishing Credible Sources
13. Promoting Lifelong Learning

- Utilizing eBooks for Skill Development
 - Exploring Educational eBooks
14. Embracing eBook Trends
- Integration of Multimedia Elements
 - Interactive and Gamified eBooks

Bf42015 Parts Manual Introduction

In the digital age, access to information has become easier than ever before. The ability to download Bf42015 Parts Manual has revolutionized the way we consume written content. Whether you are a student looking for course material, an avid reader searching for your next favorite book, or a professional seeking research papers, the option to download Bf42015 Parts Manual has opened up a world of possibilities. Downloading Bf42015 Parts Manual provides numerous advantages over physical copies of books and documents. Firstly, it is incredibly convenient. Gone are the days of carrying around heavy textbooks or bulky folders filled with papers. With the click of a button, you can gain immediate access to valuable resources on any device. This convenience allows for efficient studying, researching, and reading on the go. Moreover, the cost-effective nature of downloading Bf42015 Parts Manual has democratized knowledge. Traditional books and academic journals can be expensive, making it difficult for individuals with limited financial resources to access information. By offering free PDF downloads, publishers and authors are enabling a wider audience to benefit from their work. This inclusivity promotes equal opportunities for learning and personal growth. There are numerous websites and platforms where individuals can download Bf42015 Parts Manual. These websites range from academic databases offering research papers and journals to online libraries with an expansive collection of books from various genres. Many authors and publishers also upload their work to specific websites, granting readers access to their content without any charge. These platforms not only provide access to existing literature but also serve as an excellent platform for undiscovered authors to share their work with the world. However, it is essential to be cautious while downloading Bf42015 Parts Manual. Some websites may offer pirated or illegally obtained copies of copyrighted material. Engaging in such activities not only violates copyright laws but also undermines the efforts of authors, publishers, and researchers. To ensure ethical downloading, it is advisable to utilize reputable websites that prioritize the legal distribution of content. When downloading Bf42015 Parts Manual, users should also consider the potential security risks associated with online platforms. Malicious actors may exploit vulnerabilities in unprotected websites to distribute malware or steal personal information. To protect themselves, individuals should ensure their devices have reliable antivirus software installed and validate the legitimacy of the websites they are downloading from. In conclusion, the ability to download Bf42015 Parts Manual has transformed the way we access

information. With the convenience, cost-effectiveness, and accessibility it offers, free PDF downloads have become a popular choice for students, researchers, and book lovers worldwide. However, it is crucial to engage in ethical downloading practices and prioritize personal security when utilizing online platforms. By doing so, individuals can make the most of the vast array of free PDF resources available and embark on a journey of continuous learning and intellectual growth.

FAQs About Bf42015 Parts Manual Books

What is a Bf42015 Parts Manual PDF? A PDF (Portable Document Format) is a file format developed by Adobe that preserves the layout and formatting of a document, regardless of the software, hardware, or operating system used to view or print it. **How do I create a Bf42015 Parts Manual PDF?** There are several ways to create a PDF: Use software like Adobe Acrobat, Microsoft Word, or Google Docs, which often have built-in PDF creation tools. Print to PDF: Many applications and operating systems have a "Print to PDF" option that allows you to save a document as a PDF file instead of printing it on paper. Online converters: There are various online tools that can convert different file types to PDF. **How do I edit a Bf42015 Parts Manual PDF?** Editing a PDF can be done with software like Adobe Acrobat, which allows direct editing of text, images, and other elements within the PDF. Some free tools, like PDFescape or Smallpdf, also offer basic editing capabilities. **How do I convert a Bf42015 Parts Manual PDF to another file format?** There are multiple ways to convert a PDF to another format: Use online converters like Smallpdf, Zamzar, or Adobe Acrobats export feature to convert PDFs to formats like Word, Excel, JPEG, etc. Software like Adobe Acrobat, Microsoft Word, or other PDF editors may have options to export or save PDFs in different formats. **How do I password-protect a Bf42015 Parts Manual PDF?** Most PDF editing software allows you to add password protection. In Adobe Acrobat, for instance, you can go to "File" -> "Properties" -> "Security" to set a password to restrict access or editing capabilities. Are there any free alternatives to Adobe Acrobat for working with PDFs? Yes, there are many free alternatives for working with PDFs, such as: LibreOffice: Offers PDF editing features. PDFsam: Allows splitting, merging, and editing PDFs. Foxit Reader: Provides basic PDF viewing and editing capabilities. How do I compress a PDF file? You can use online tools like Smallpdf, ILovePDF, or desktop software like Adobe Acrobat to compress PDF files without significant quality loss. Compression reduces the file size, making it easier to share and download. Can I fill out forms in a PDF file? Yes, most PDF viewers/editors like Adobe Acrobat, Preview (on Mac), or various online tools allow you to fill out forms in PDF files by selecting text fields and entering information. Are there any restrictions when working with PDFs? Some PDFs might have restrictions set by their creator, such as password protection, editing restrictions, or print restrictions. Breaking these restrictions might require specific software or tools, which may or may not be legal depending on the circumstances and local laws.

Find Bf42015 Parts Manual :

bacteria and archaea study guide

backpage zacatecas mexico

baileys head and neck surgery otolaryngology review baileys head and neck surgery

baja sc150 repair manual

backdrops and backgrounds a portrait photographers guide

baby trend expedition instruction manual

baby hat double knitting patterns

bad blood quotes x files

baikingusu 1 japanese edition

bahubali vs bhajarangi bhaijaan totel box office collection

bad blood taylor swift soundcloud

baby r us career

babysitters club books

bachata and dominican identity or la bachata y la identidad dominicana

backroads of the texas hill country backroads of the texas hill country

Bf42015 Parts Manual :

grosser leuchtkäfer nabu insektentrainer - Jun 13 2023

web lamprohiza splendidula der kleine und der große leuchtkäfer ähneln sich im aussehen und in der lebensweise das männchen des kleinen leuchtkäfers hat in der mitte des halsschildes eine art durchsichtiges fenster durch das der darunter liegende kopf erkennbar ist das weibchen des kleinen leuchtkäfers hat im gegensatz zu dem des

leuchtkÄfer translation in english bab la - Jul 02 2022

web translation for leuchtkäfer in the free german english dictionary and many other english translations

english translation of leuchtkäfer collins online dictionary - Mar 30 2022

web english translation of leuchtkäfer the official collins german english dictionary online over 100 000 english translations of german words and phrases

glühwürmchen wann und warum leuchten sie ndr de - Feb 09 2023

web jun 26 2023 an warmen sommerabenden verzaubern die kleinen käfer gärten und waldränder mit ihrem leuchten wo

genau kann man sie beobachten wie kann man sie ansiedeln und wie erzeugen glühwürmchen licht
[glühwürmchen wo und wann die leuchtkäfer in deutschland](#) - Apr 11 2023

web jun 23 2022 wo und wann leuchten glühwürmchen glühwürmchen lassen sich am besten in den sommermonaten juni juli und august beobachten besonders aktiv sind sie in der sogenannten johannisnacht die findet jedes jahr vom 23 auf den 24 juni statt und läutet die paarungssaison der kleinen tierchen ein

leuchtkäfer schmidhofer christine amazon com tr kitap - Apr 30 2022

web arama yapmak istediğiniz kategoriye seçin

leuchtkäfer almanca türkçe çeviri pons - May 12 2023

web pons çevrimiçi sözlüğünde leuchtkäfer almanca türkçe çevirisine bakın Ücretsiz kelime öğretme antrenörü fiil tabloları ve telaffuz işlevini içerir

heuchera sanguinea leuchtkäfer coral bells plant details - Dec 27 2021

web this coral bells is native to the southwestern part of north america sanguinea is latin and means blood red the stems of the flowers of the heuchera sanguinea leuchtkäfer are about 28 inches 70 centimeters high and rise above the foliage the leaves are somewhat marbled and reach a height of about 10 inches 25 centimeters

leuchtkäfer wiktionary the free dictionary - Jan 08 2023

web may 23 2023 german glowworm firefly synonyms glühwürmchen n dated glühwurm

[duden leuchtkäfer rechtschreibung bedeutung definition](#) - Sep 04 2022

web definition rechtschreibung synonyme und grammatik von leuchtkäfer auf duden online nachschlagen wörterbuch der deutschen sprache

leuchtkäfer wikipedia - Aug 15 2023

web die leuchtkäfer oder auch glühwürmchen sind eine familie der käfer mit weltweit etwa 2000 arten die innerhalb der überfamilie weichkäferartige geführt werden viele aber nicht alle arten dieser familie sind in der lage lichtsignale zur kommunikation auszusenden manchmal wird der name leuchtkäfer als bezeichnung aller käfer

leuchtkäfer Übersetzung englisch deutsch dict cc - Jan 28 2022

web kennst du Übersetzungen die noch nicht in diesem wörterbuch enthalten sind hier kannst du sie vorschlagen bitte immer nur genau eine deutsch englisch Übersetzung eintragen formatierung siehe guidelines möglichst mit einem guten beleg im kommentarfeld wichtig bitte hilf auch bei der prüfung anderer Übersetzungsvorschläge

leuchtkäfer biologie seite de - Mar 10 2023

web aug 30 2023 wissenschaftlicher name die leuchtkäfer oder auch glühwürmchen lampyridae sind eine familie der käfer mit weltweit etwa 2 000 arten die innerhalb der überfamilie weichkäferartige elateroidea 1 geführt werden viele aber nicht

alle arten dieser familie sind in der lage lichtsignale zur kommunikation auszusenden

1001fidan heuchera sanguinea leuchtkafer mercan Çanı 6160 1 - Dec 07 2022

web 1001fidan heuchera sanguinea leuchtkafer mercan Çanı yorumlarını inceleyin trendyol a özel indirimli fiyata satın alın

dict cc dictionary leuchtkäfer german english translation - Oct 05 2022

web dict cc german english dictionary translation for leuchtkäfer leuchtkäfer pl fireflies family lampyridae entom t lightning bugs family lampyridae entom t leuchtkäfer m firefly family lampyridae entom t lightning bug am family lampyridae entom t firebug coll family lampyridae firefly entom t großer leuchtkäfer m common glowworm

english translation of leuchtkäfer collins online dictionary - Aug 03 2022

web english translation of leuchtkäfer the official collins german english dictionary online over 100 000 english translations of german words and phrases

gitti erika leuchtkäfer youtube - Feb 26 2022

web about press copyright contact us creators advertise developers terms privacy policy safety how youtube works test new features nfl sunday ticket press copyright

heuchera leuchtkäfer alum root leuchtkäfer rhs gardening - Jun 01 2022

web native to the uk no foliage evergreen habit bushy genus heuchera are more or less evergreen clump forming perennials with attractive rounded shallowly palmately lobed leaves and racemes or panicles of small tubular

kleiner leuchtkäfer wikipedia - Jul 14 2023

web kleiner leuchtkäfer unterseite des männchens mit cremefarbenen leuchtorganen der kleine leuchtkäfer das glühwürmchen oder johanniswürmchen lamprohiza splendidula ist eine käferart der familie der leuchtkäfer lampyridae

heuchera sanguinea leuchtkafer mercan Çanı 1001fidan - Nov 06 2022

web etiketler heuchera sanguinea leuchtkafer mercan Çanı 0 20cm lütfen Üye girişi yapın Üye girişi 400 tl Üzeri Ücretsiz kargo 400 tl ve üzeri alışverişlerinizde ücretsiz kargo gönderimi yapılmaktadır İptal İade satın almış olduğunuz ürünler 1001fidan com garantisindedir

prince lestat the vampire chronicles 11 ciltli kapak - Apr 21 2022

web arama yapmak istediğiniz kategoriye seçin

prince lestat the vampire chronicles rice anne 1941 2021 - Mar 01 2023

web prince lestat the vampire chronicles by rice anne 1941 2021 author publication date 2015 topics lestat vampire 1760 fiction lestat vampire 1760 vampires fiction vampires publisher new york anchor books collection inlibrary printdisabled internetarchivebooks digitizing sponsor kahle austin foundation contributor

prince lestat on apple books - May 23 2022

web left with little time to spare a host of familiar characters including louis de pointe du lac armand and even the vampire lestat must embark on a journey to discover who or what is driving this mysterious being

[*prince lestat the vampire chronicles 11 kindle edition*](#) - Jun 04 2023

web jul 2 2015 after a 15 year wait lestat is back in anne rice s long awaited new vampire chronicles novel the vampire world is in crisis their kind have been proliferating out of control and thanks to technologies undreamed of in previous centuries they can communicate as never before

[loading interface goodreads](#) - Mar 21 2022

web discover and share books you love on goodreads

[prince lestat the vampire chronicles book 11 by anne rice](#) - Nov 28 2022

web oct 1 2015 booktopia has prince lestat the vampire chronicles book 11 by anne rice buy a discounted paperback of prince lestat online from australia s leading online bookstore

[prince lestat the vampire chronicles 11 hardcover](#) - Sep 07 2023

web buy prince lestat the vampire chronicles 11 first edition by rice anne isbn 9780701189426 from amazon s book store everyday low prices and free delivery on eligible orders

[*prince lestat the vampire chronicles 11 kindle edition*](#) - May 03 2023

web anne rice s epic luxuriant fiercely ambitious new novel brings together all the worlds and beings of the legendary vampire chronicles from present day new york and ancient egypt to fourth century carthage and renaissance venice from louis de pointe du lac armand the eternally young mekare and maharet to pandora and flavius david talbot

[prince lestat the vampire chronicles anne rice google books](#) - Oct 28 2022

web oct 28 2014 prince lestat the vampire chronicles national bestseller a stunning departure a surprising and compelling return from anne rice perennial best seller single handed reinventor of the

[prince lestat wikipedia](#) - Jul 05 2023

web prince lestat is a novel by american writer anne rice the eleventh in the vampire chronicles series published on october 28 2014

prince lestat penguin random house - Aug 26 2022

web rice once again summons up the irresistible spirit world of the oldest and most powerful forces of the night invisible beings unleashed on an unsuspecting world able to take blood from humans in a long awaited return to the extraordinary world of the vampire chronicles and the uniquely seductive queen of the damned mesmerizing san

prince lestat the vampire chronicles wiki fandom - Dec 30 2022

web prince lestat is the eleventh installment in the vampire chronicles penned by anne rice it was released on october 28

2014 what can we do but reach for the embrace that must now contain both heaven and hell our doom again and again and again the vampire lestat anne rice once agains

[prince lestat vampire chronicles series 11 hardcover](#) - Apr 02 2023

web oct 28 2014 rice once again summons up the irresistible spirit world of the oldest and most powerful forces of the night invisible beings unleashed on an unsuspecting world able to take blood from humans in a long awaited return to the extraordinary world of the vampire chronicles and the uniquely seductive queen of the damned mesmerizing

[prince lestat the vampire chronicles aurora public library](#) - Jul 25 2022

web left with little time to spare a host of familiar characters including louis de pointe du lac armand and even the vampire lestat must embark on a journey to discover who or what is driving this mysterious being

[prince lestat the vampire chronicles kağıt kapak](#) - Sep 26 2022

web prince lestat the vampire chronicles professor anne rice amazon com tr kitap

[prince lestat the vampire chronicles 11 by anne rice goodreads](#) - Oct 08 2023

web oct 28 2014 the vampire chronicles 11 prince lestat anne rice 3 83 22 859 ratings 2 599 reviews goodreads choice award winner for best horror 2014 the vampire world is in crisis their kind have been proliferating out of control and thanks to technologies undreamed of in previous centuries they can communicate as never before

[the vampire chronicles wikipedia](#) - Jun 23 2022

web 1976 2018 the vampire chronicles is a series of gothic vampire novels and a media franchise created by american writer anne rice that revolves around the fictional character lestat de lioncourt a french nobleman turned into a vampire in the 18th century

[prince lestat the vampire chronicles 11 paperback](#) - Feb 17 2022

web jul 7 2015 buy prince lestat the vampire chronicles 11 reprint by rice anne isbn 9780345803658 from amazon s book store everyday low prices and free delivery on eligible orders

blood communion a tale of prince lestat wikipedia - Jan 31 2023

web 978 1 5247 3264 6 preceded by prince lestat and the realms of atlantis blood communion a tale of prince lestat is a novel by american writer anne rice the 13th and last book in the vampire chronicles series published on october 2 2018 1 it is the most recent of the vampire chronicles to be narrated by the vampire lestat de

prince lestat the vampire chronicles 11 kindle edition - Aug 06 2023

web jul 2 2015 prince lestat the vampire chronicles 11 kindle edition by rice anne download it once and read it on your kindle device pc phones or tablets use features like bookmarks note taking and highlighting while reading prince lestat the

[recurrent quantum neural networks](#) - Jan 07 2023

web quantum neural network qnn is a burgeoning new field built upon the combination of classical neural networks and quantum computation there are two main motivations

a quantum recurrent neural network arxiv org - Aug 02 2022

web recurrent neural networks for time series prediction i m new to machine learning and i m trying to implement on matlab a neural network in order to predict the next future

what is a neural network matlab simulink mathworks - Oct 04 2022

web quantum recurrent neural network matlab is universally compatible later than any devices to read women in computational intelligence alice e smith 2022 04 13 this

recurrent neural networks github topics github - Apr 29 2022

web grenade is a composable dependently typed practical and fast recurrent neural network library for concise and precise specifications of complex networks in haskell because

quantumrecurrentneuralnetworkmatlab dev2 bryanu - Jan 27 2022

what is a recurrent neural network rnn matlab - Feb 08 2023

web recurrent neural network rnn neural network architecture with feedback loops that model sequential dependencies in the input as in time series sensor and text data the

quantum recurrent neural network matlab book - May 31 2022

web recurrent neural networks springer nature this book is the first comprehensive book about reservoir computing rc rc is a powerful and broadly applicable computational

quantum computing matlab simulink mathworks - Jun 12 2023

web a recurrent neural network rnn is a deep learning structure that uses past information to improve the performance of the network on current and future inputs what makes an

recurrent neural networks matlab free download sourceforge - Dec 26 2021

training deep quantum neural networks nature - Apr 10 2023

web feb 7 2023 abstract quantum neural network qnn is one of the promising directions where the near term noisy intermediate scale quantum nisq devices could find

how dynamic neural networks work matlab simulink - Jul 01 2022

web 2 quantum recurrent neural network matlab 2021 11 14 recurrent neural networks extend the framework in a natural way to data with more than one spatio temporal

[matlab recurrent neural networks for time series prediction](#) - Mar 29 2022

web a recurrent neural network rnn is a deep learning structure that uses past information to improve the performance of the network on current and future inputs what makes an

layer recurrent neural network matlab layrecnet mathworks - May 11 2023

web quantum recurrent neural network with a unitary cell that allows to side step the problem of gradient decay and can ideally be implemented and trained on current classical

[deep q network dqn reinforcement learning agent](#) - Aug 14 2023

web description layrecnet layerdelays hiddensizes trainfcn takes these arguments and returns a layer recurrent neural network layer recurrent neural networks are similar

2006 14619 recurrent quantum neural networks arxiv org - Mar 09 2023

web design layer recurrent neural networks the next dynamic network to be introduced is the layer recurrent network lrn an earlier simplified version of this network was

[design layer recurrent neural networks matlab simulink](#) - Nov 05 2022

web dynamic networks can be divided into two categories those that have only feedforward connections and those that have feedback or recurrent connections to understand

design layer recurrent neural networks matlab simulink - Oct 24 2021

quantum recurrent neural network matlab old talentsprint com - Feb 25 2022

web design layer recurrent neural networks the next dynamic network to be introduced is the layer recurrent network lrn an earlier simplified version of this network was

qcf a useful toolfor quantum neural network implementation in - Sep 03 2022

web jan 4 2021 prediction of multidimensional time series data using a recurrent neural network rnn trained by real time recurrent learning rtl unbiased online

[what is a recurrent neural network rnn matlab](#) - Nov 24 2021

quantum recurrent neural networks for sequential learning - Dec 06 2022

web quantum computing allows for the potential of signi cant advancements in both the speed and the capacity of widely used machine learning algorithms in this paper we introduce

github r8monaw deepqnn implementations for - Jul 13 2023

web jun 25 2020 recurrent quantum neural networks johannes bausch recurrent neural networks are the foundation of

many sequence to sequence models in machine