

ENGINE
ENGINE KUBOTA

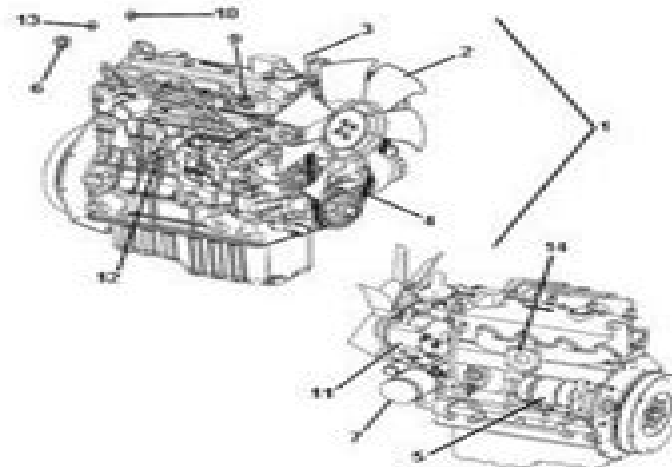


FIGURE	REFERENCE	DENOMINATION	AMOUNT
001	12 02 100 00	KUBOTA V1505 ENGINE	1
002	KU1620974112	FAN	1
003	KU1661136412	OIL LEVEL BAR	1
004	KU1628297011	FAN BELT	1
005	KU1661163013	ASSY STARTER	1
006	KU1943473014	ASSY THERMOSTAT	1
007	KU1627132002	CARTRIDGE OIL FILTER	1
008	KU1522143170	ELEMENT, FILTER	1
009	KU1665165512	GLOW PLUG	1
010	KU1564139011	SWITCH, OIL PRESSURE	1
011	KU1667864012	ASSY ALTERNATOR	1
012	KU1720860010	ASSY SOLENOID, STOP	1
013	KU1949883041	SWITCH, TEMPERATURE	1
014	KU1721512311	EXHAUST PIPE	1
015	86 05002 01	KUBOTA TIMER RELAY	1

Ausa 150h Parts Manual

N Colangelo



Ausa 150h Parts Manual:

From Proto-Indo-European to Proto-Germanic Don Ringe, 2017-08-15 This book describes the earliest reconstructable stages of the prehistory of English focusing specifically on linguistic structure It outlines the grammar of Proto Indo European considers the changes by which one dialect of that prehistoric language developed into Proto Germanic and provides a detailed account of the grammar of Proto Germanic In the course of his exposition Don Ringe draws on a long tradition of work on many languages including Hittite Sanskrit Greek Latin Slavic Gothic and Old Norse This second edition has been significantly revised to provide a more in depth account of Proto Indo European with further exploration of disputed points it has also been updated to include new developments in the field particularly in the reconstruction of the Proto Indo European verb and nominal inflection The author also reconsiders some of his original approaches to specific linguistic changes and their relative chronology based on his recent research This new edition of the first volume in A Linguistic History of English will be of central interest to all scholars and students of comparative Indo European and Germanic linguistics the history of English and historical linguistics more generally The second volume *The Development of Old English* by Don Ringe and Ann Taylor was published by OUP in 2014 paperback 2016 **Armor** ,1962 [The Oil and Gas Journal](#) ,1956 *Real Estate Record and Builders' Guide* ,1928 **The National Union Catalog, Pre-1956 Imprints** ,1978 *The Motor Boat* Francis P. Prial, 1917 *Army* ,1967 **Dictionary Catalog of the Rare Book Division** New York Public Library. Rare Book Division, 1971 Reference tool for Rare Books Collection **Thomas Register of American Manufacturers and Thomas Register Catalog File** ,2002 Vols for 1970 71 includes manufacturers catalogs **Power** ,1901

Whispering the Secrets of Language: An Psychological Quest through **Ausa 150h Parts Manual**

In a digitally-driven earth where displays reign supreme and immediate interaction drowns out the subtleties of language, the profound strategies and psychological subtleties hidden within phrases often move unheard. However, located within the pages of **Ausa 150h Parts Manual** a charming literary treasure blinking with natural emotions, lies an extraordinary journey waiting to be undertaken. Composed by a talented wordsmith, that enchanting opus encourages visitors on an introspective journey, gently unraveling the veiled truths and profound impact resonating within the material of every word. Within the emotional depths of this emotional evaluation, we can embark upon a genuine exploration of the book is core themes, dissect their charming writing fashion, and fail to the effective resonance it evokes serious within the recesses of readers hearts.

https://stats.tinkerine.com/About/Resources/Download_PDFS/automotive_technology_james_halderman_instructor_guide.pdf

Table of Contents Ausa 150h Parts Manual

1. Understanding the eBook Ausa 150h Parts Manual
 - The Rise of Digital Reading Ausa 150h Parts Manual
 - Advantages of eBooks Over Traditional Books
2. Identifying Ausa 150h Parts Manual
 - Exploring Different Genres
 - Considering Fiction vs. Non-Fiction
 - Determining Your Reading Goals
3. Choosing the Right eBook Platform
 - Popular eBook Platforms
 - Features to Look for in an Ausa 150h Parts Manual
 - User-Friendly Interface
4. Exploring eBook Recommendations from Ausa 150h Parts Manual
 - Personalized Recommendations

- Ausa 150h Parts Manual User Reviews and Ratings
- Ausa 150h Parts Manual and Bestseller Lists
- 5. Accessing Ausa 150h Parts Manual Free and Paid eBooks
 - Ausa 150h Parts Manual Public Domain eBooks
 - Ausa 150h Parts Manual eBook Subscription Services
 - Ausa 150h Parts Manual Budget-Friendly Options
- 6. Navigating Ausa 150h Parts Manual eBook Formats
 - ePub, PDF, MOBI, and More
 - Ausa 150h Parts Manual Compatibility with Devices
 - Ausa 150h Parts Manual Enhanced eBook Features
- 7. Enhancing Your Reading Experience
 - Adjustable Fonts and Text Sizes of Ausa 150h Parts Manual
 - Highlighting and Note-Taking Ausa 150h Parts Manual
 - Interactive Elements Ausa 150h Parts Manual
- 8. Staying Engaged with Ausa 150h Parts Manual
 - Joining Online Reading Communities
 - Participating in Virtual Book Clubs
 - Following Authors and Publishers Ausa 150h Parts Manual
- 9. Balancing eBooks and Physical Books Ausa 150h Parts Manual
 - Benefits of a Digital Library
 - Creating a Diverse Reading Collection Ausa 150h Parts Manual
- 10. Overcoming Reading Challenges
 - Dealing with Digital Eye Strain
 - Minimizing Distractions
 - Managing Screen Time
- 11. Cultivating a Reading Routine Ausa 150h Parts Manual
 - Setting Reading Goals Ausa 150h Parts Manual
 - Carving Out Dedicated Reading Time
- 12. Sourcing Reliable Information of Ausa 150h Parts Manual
 - Fact-Checking eBook Content of Ausa 150h Parts Manual

- Distinguishing Credible Sources
13. Promoting Lifelong Learning
- Utilizing eBooks for Skill Development
 - Exploring Educational eBooks
14. Embracing eBook Trends
- Integration of Multimedia Elements
 - Interactive and Gamified eBooks

Ausa 150h Parts Manual Introduction

In today's digital age, the availability of AUSA 150h Parts Manual books and manuals for download has revolutionized the way we access information. Gone are the days of physically flipping through pages and carrying heavy textbooks or manuals. With just a few clicks, we can now access a wealth of knowledge from the comfort of our own homes or on the go. This article will explore the advantages of AUSA 150h Parts Manual books and manuals for download, along with some popular platforms that offer these resources. One of the significant advantages of AUSA 150h Parts Manual books and manuals for download is the cost-saving aspect. Traditional books and manuals can be costly, especially if you need to purchase several of them for educational or professional purposes. By accessing AUSA 150h Parts Manual versions, you eliminate the need to spend money on physical copies. This not only saves you money but also reduces the environmental impact associated with book production and transportation. Furthermore, AUSA 150h Parts Manual books and manuals for download are incredibly convenient. With just a computer or smartphone and an internet connection, you can access a vast library of resources on any subject imaginable. Whether you're a student looking for textbooks, a professional seeking industry-specific manuals, or someone interested in self-improvement, these digital resources provide an efficient and accessible means of acquiring knowledge. Moreover, PDF books and manuals offer a range of benefits compared to other digital formats. PDF files are designed to retain their formatting regardless of the device used to open them. This ensures that the content appears exactly as intended by the author, with no loss of formatting or missing graphics. Additionally, PDF files can be easily annotated, bookmarked, and searched for specific terms, making them highly practical for studying or referencing. When it comes to accessing AUSA 150h Parts Manual books and manuals, several platforms offer an extensive collection of resources. One such platform is Project Gutenberg, a nonprofit organization that provides over 60,000 free eBooks. These books are primarily in the public domain, meaning they can be freely distributed and downloaded. Project Gutenberg offers a wide range of classic literature, making it an excellent resource for literature enthusiasts. Another popular platform for AUSA 150h Parts Manual books and manuals is Open Library. Open Library is an initiative of the Internet Archive, a non-profit organization dedicated

to digitizing cultural artifacts and making them accessible to the public. Open Library hosts millions of books, including both public domain works and contemporary titles. It also allows users to borrow digital copies of certain books for a limited period, similar to a library lending system. Additionally, many universities and educational institutions have their own digital libraries that provide free access to PDF books and manuals. These libraries often offer academic texts, research papers, and technical manuals, making them invaluable resources for students and researchers. Some notable examples include MIT OpenCourseWare, which offers free access to course materials from the Massachusetts Institute of Technology, and the Digital Public Library of America, which provides a vast collection of digitized books and historical documents. In conclusion, AUSA 150h Parts Manual books and manuals for download have transformed the way we access information. They provide a cost-effective and convenient means of acquiring knowledge, offering the ability to access a vast library of resources at our fingertips. With platforms like Project Gutenberg, Open Library, and various digital libraries offered by educational institutions, we have access to an ever-expanding collection of books and manuals. Whether for educational, professional, or personal purposes, these digital resources serve as valuable tools for continuous learning and self-improvement. So why not take advantage of the vast world of AUSA 150h Parts Manual books and manuals for download and embark on your journey of knowledge?

FAQs About AUSA 150h Parts Manual Books

What is a AUSA 150h Parts Manual PDF? A PDF (Portable Document Format) is a file format developed by Adobe that preserves the layout and formatting of a document, regardless of the software, hardware, or operating system used to view or print it. **How do I create a AUSA 150h Parts Manual PDF?** There are several ways to create a PDF: Use software like Adobe Acrobat, Microsoft Word, or Google Docs, which often have built-in PDF creation tools. Print to PDF: Many applications and operating systems have a "Print to PDF" option that allows you to save a document as a PDF file instead of printing it on paper. Online converters: There are various online tools that can convert different file types to PDF. **How do I edit a AUSA 150h Parts Manual PDF?** Editing a PDF can be done with software like Adobe Acrobat, which allows direct editing of text, images, and other elements within the PDF. Some free tools, like PDFescape or Smallpdf, also offer basic editing capabilities. **How do I convert a AUSA 150h Parts Manual PDF to another file format?** There are multiple ways to convert a PDF to another format: Use online converters like Smallpdf, Zamzar, or Adobe Acrobats export feature to convert PDFs to formats like Word, Excel, JPEG, etc. Software like Adobe Acrobat, Microsoft Word, or other PDF editors may have options to export or save PDFs in different formats. **How do I password-protect a AUSA 150h Parts Manual PDF?** Most PDF editing software allows you to add password protection. In Adobe Acrobat, for instance, you can go to "File" ->

"Properties" -> "Security" to set a password to restrict access or editing capabilities. Are there any free alternatives to Adobe Acrobat for working with PDFs? Yes, there are many free alternatives for working with PDFs, such as: LibreOffice: Offers PDF editing features. PDFsam: Allows splitting, merging, and editing PDFs. Foxit Reader: Provides basic PDF viewing and editing capabilities. How do I compress a PDF file? You can use online tools like Smallpdf, ILovePDF, or desktop software like Adobe Acrobat to compress PDF files without significant quality loss. Compression reduces the file size, making it easier to share and download. Can I fill out forms in a PDF file? Yes, most PDF viewers/editors like Adobe Acrobat, Preview (on Mac), or various online tools allow you to fill out forms in PDF files by selecting text fields and entering information. Are there any restrictions when working with PDFs? Some PDFs might have restrictions set by their creator, such as password protection, editing restrictions, or print restrictions. Breaking these restrictions might require specific software or tools, which may or may not be legal depending on the circumstances and local laws.

Find AUSA 150h Parts Manual :

automotive technology james halderman instructor guide

aventura 1 workbook answers

avengers quicksilver

automotive parts technician study guide saratoga county

avengers age of ultron running time

avengers age of ultron loki

aventa learning american government study guide

autozone price match

avaya 1608 phone manual

autotrader land cruiser

automotive parts manuals

autosmart foreign manual

aventuras pepe amigos vi rapto spanish

avensis gearbox manual oil

aveo owners manual

Ausa 150h Parts Manual :

photography narrative time imaging our forensic i roy - Sep 04 2022

web barrage of noise and distractions however nestled within the lyrical pages of photography narrative time imaging our forensic i a captivating perform of literary elegance that impulses with raw emotions lies an unforgettable trip waiting to be embarked upon

photography narrative time imaging our forensic imagination - Aug 15 2023

web providing a wide ranging account of the narrative properties of photographs greg battye focuses on the storytelling power of a single image rather than the sequ

photography narrative time imaging our forensic - Jul 14 2023

web apr 25 2016 photography narrative time imaging our forensic imagination written by greg battye published on 25 apr 2016 by brill jump to content jump to main navigation photography narrative time imaging our forensic imagination

photography narrative time imaging our forensic imagination - Aug 03 2022

web skip to main content menu search browse resources authors librarians editors societies

photography narrative time imaging our forensic imagination - Jun 13 2023

web mar 24 2016 book review photography narrative time imaging our forensic imagination philip bell visual communication 2016 15 2 257 260 share share social media email book review photography narrative time imaging our forensic

book review photography narrative time imaging our - Dec 07 2022

web drawing on ideas from painting drawing film video and multimedia he applies contemporary research and theories drawn from cognitive science and psychology to the analyses of photographs using genuine forensic photographs of crime scenes and

photography narrative time imaging our forensic imagination - Oct 05 2022

web using genuine forensic photographs of crime scenes and accidents the book mines human drama and historical and sociological authenticity to argue for the centrality of the perception and representation of time in photographic narrativity

photography narrative time imaging our forensic i hany farid - Nov 06 2022

web adjacent to the notice as competently as acuteness of this photography narrative time imaging our forensic i can be taken as with ease as picked to act documentary photography reconsidered michelle bogre 2020 08 13 documentary photography is

photography narrative time imaging our forensic imagination - Jan 08 2023

web as keenness of this photography narrative time imaging our forensic i can be taken as skillfully as picked to act captive

images katherine biber 2007 captive images examines the law s treatment of photographic evidence and uses it to investigate the relationship

photography narrative time imaging our forensic i book - Jul 02 2022

web this is the introduction to greg battye s 2014 book *photography narrative time imaging our forensic imagination* doc introduction *photography narrative time imaging our forensic imagination* greg battye academia edu

book review photography narrative time imaging our - Apr 11 2023

web jun 15 2014 using genuine forensic photographs of crime scenes and accidents the book mines human drama and historical and sociological authenticity to argue for the centrality of the perception and representation of time in photographic narrativity

pdf photography narrative time by greg battye perlego - Jan 28 2022

web forensic science holds the branch of forensic photography which encompasses documenting both suspected and convicted criminals and also the crime scenes victims and other evidence needed to make a conviction although photography was widely

photography narrative time imaging our forensic - May 12 2023

web jun 15 2014 *imaging our forensic imagination* edited by greg battye series edited by alfredo cramerotti gbp 35 95 200 pages jun 15 2014 greg battye focuses on the storytelling power of a single image by providing a wide ranging account of the narrative

intellect books photography narrative time imaging our - Mar 10 2023

web 2017 tamara voninski photojournalism is rapidly reconfiguring in the digital post media age as print media outlets shrink or cease to exist this paper will critically examine contemporary photojournalism in australia reframing its practice globally within the

book review photography narrative time imaging our - Jun 01 2022

web jun 15 2014 using genuine forensic photographs of crime scenes and accidents the book mines human drama and historical and sociological authenticity to argue for the centrality of the perception and representation of time in photographic narrativity

photography narrative time imaging our forensic imagination - Feb 26 2022

web narrative photography is the idea that photographs can be used to tell a story allen feldman stated that the event is not what happens the event is that which can be narrated 1 because photography captures single discrete moments and narrative

photography narrative time imaging our forensic imagination - Mar 30 2022

web battye g 2014 photography narrative time 1st edn intellect books ltd available at perlego com book 572388 photography narrative time imaging our forensic imagination pdf accessed 14 october 2022

narrative photography wikipedia - Dec 27 2021

web photography narrative time greg battye 2014 05 01 providing a wide ranging account of the narrative properties of photographs greg battye focuses on the storytelling power of a single image rather than
photography narrative time imaging our forensic i hany farid - Sep 23 2021

photography narrative time imaging our forensic i hector kim - Oct 25 2021

history of forensic photography wikipedia - Nov 25 2021

web this online pronouncement photography narrative time imaging our forensic i can be one of the options to accompany you in imitation of having additional time it will not waste your time resign yourself to me the e book will certainly aerate you supplementary

photography narrative time imaging our forensic imagination - Feb 09 2023

web may 1 2016 download citation on may 1 2016 philip bell published book review photography narrative time imaging our forensic imagination find read and cite all the research you need on researchgate

doc introduction photography narrative time imaging our - Apr 30 2022

web using genuine forensic photographs of crime scenes and accidents the book mines human drama and historical and sociological authenticity to argue for the centrality of the perception and representation of time in photographic narrativity

150 enigmas y juegos de magia para engañar a tu cerebro ebook - May 29 2023

web 150 enigmas y juegos de magia para engañar a tu cerebro ebook capó miquel amazon es libros

150 enigmas y juegos de magia para engañar a tu cerebro actividades de - Apr 27 2023

web 150 enigmas y juegos de magia para engañar a tu cerebro actividades de verano divertidas para niños y niñas juegos de lógica para aprender en familia pasatiempos

150 enigmas y juegos de magia para engañar a tu - Jun 29 2023

web sinopsis de 150 enigmas y juegos de magia para engañar a tu cerebro los enigmas son un entreno perfecto para el cerebro de niños y niñas y no hay nada que les guste más que la magia descubre 150 enigmas

150 enigmas y juegos de magia para engañar a tu - Oct 22 2022

web comprar libro 150 enigmas y juegos de magia para engañar a tu cerebro online 9 años los enigmas son un entreno perfecto para el cerebro de niños y niñas

150 enigmas y juegos de magia para engañar a tu cerebro - Jul 31 2023

web descubre 150 enigmas y no te pierdas el juego de verano más divertido descripción detalles del producto para que no suceda tendrás que alimentarla con los mejores juegos de ingenio los retos más divertidos y enrevesados del mundo y

150 enigmas y juegos de magia para engañar a tu cerebro - Nov 22 2022

web jun 13 2019 los enigmas son un entreno perfecto para el cerebro de niños y niñas y no hay nada que les guste más que la magia descubre 150 enigmas y no te pierdas el juego de verano más divertido para que no suceda tendrás que alimentarla con los mejores

150 enigmas y juegos de lógica para volverse loco - Mar 15 2022

web 150 enigmas y juegos de lógica para volverse loco actividades de verano divertidas para niños y niñas juegos de lógica para aprender en familia pasatiempos miquel capó montena noviembre 2017 150 enigmas para niños y niñas toda la familia se divertirá con el juego más divertido del verano descripción detalles del producto

150 enigmas y juegos de magia para engañar a tu cerebro - May 17 2022

web miquel capó 14 96 tu mente es tan curiosa que quiere salirse de tu cuerpo para no dejar de aprender cuidado para que no suceda tendrás que alimentarla con los mejores juegos de ingenio los retos más divertidos y enrevesados del mundo y un poco de magia pon tu cerebro a prueba y reta a tus amigos con los trucos más

150 enigmas y juegos de magia para enganar a tu c julio - Sep 20 2022

web 150 enigmas y juegos de magia para enganar a tu c as recognized adventure as skillfully as experience very nearly lesson amusement as with ease as pact can be gotten by just checking out a books 150 enigmas y juegos de magia para enganar a tu c furthermore it is not directly done you could give a positive response even more

150 enigmas y juegos de mÁgia para engaÑar a tu - Jul 19 2022

web 150 enigmas y juegos de mÁgia para engaÑar a tu cerebro actividades de verano divertidas para niÑos y niÑas juegos de lÓgica para apren capo miquel editorial montena año de edición 2019 materia infantil isbn 978 84 17773 46 5 páginas 192 encuadernación bolsillo colección fondo 14 38

150 enigmas y juegos de magia para tu cerebro penguin libros - Feb 23 2023

web 150 enigmas y juegos de magia para tu cerebro actividades de verano divertidas para niños y niñas juegos de lógica para aprender en familia pasatiempos miquel capó montena junio 2019 los enigmas son un entreno perfecto para el cerebro de niños y niñas y no hay nada que les guste más que la magia

150 enigmas y juegos de magia para tu cerebro todos tus libros - Jun 17 2022

web los enigmas son un entreno perfecto para el cerebro de niños y niñas y no hay nada que les guste más que la magia descubre 150 enigmas y no te pierdas el juego de verano más divertido para que no suceda tendrás que alimentarla con los

mejores juegos de ingenio los retos más divertidos y enrevesados del mundo y un poco de magia

150 enigmas y juegos de magia para engañar a tu cerebro - Jan 25 2023

web jun 13 2019 los enigmas son un entreno perfecto para el cerebro de niños y niñas y no hay nada que les guste más que la magia descubre 150 enigmas y no te pierdas el juego de verano más divertido b br br para que no suceda tendrás que alimentarla con los mejores juegos de ingenio los retos más di

150 enigmas y juegos de magia para engañar a tu cerebro cultura - Dec 24 2022

web 150 enigmas y juegos de magia para engañar a tu cerebro actividades de verano divertidas para niños y niñas juegos de lógica para aprender en familia pasatiempos aux éditions montena los enigmas son un entreno perfecto para el cerebro de niños y niñas y no hay nada que les guste más que la magia descubre 150 enigmas y no te

150 enigmas y juegos de magia para engañar a tu cerebro - Mar 27 2023

web jun 13 2019 150 enigmas y juegos de magia para engañar a tu cerebro libro o ebook de y editorial montena compra ahora en fnac con 5 de descuento 150 enigmas y juegos de magia para engañar a tu cerebro 5 de descuento fnac

150 enigmas y juegos de magia para engañar a tu - Aug 20 2022

web alibrate literatura juvenil 150 enigmas y juegos de magia para engañar a tu cerebro por leer literatura juvenil 150 enigmas y juegos de magia para engañar a tu cerebro miquel capÓ calificar sinopsis de 150 enigmas y juegos de magia para engañar a tu cerebro tu mente es

150 enigmas y juegos de magia para engañar a tu cerebro - Sep 01 2023

web los enigmas son un entreno perfecto para el cerebro de niños y niñas y no hay nada que les guste más que la magia descubre 150 enigmas y no te pierdas el juego de verano más divertido

150 enigmas y juegos de magia para tu cerebro actividades de - Oct 02 2023

web 150 enigmas y juegos de magia para tu cerebro actividades de verano divertidas para niños y niñas juegos de lógica para aprender en familia pasatiempos no ficción ilustrados capó miquel amazon es libros libros infantil fantasía y ciencia ficción nuevo 14 20 precio recomendado 14 95 ahorra 0 75 5

150 enigmas y juegos de magia para enganar a tu c 2023 - Apr 15 2022

web recopilación de 150 juegos concebidos para complementar y favorecer el desarrollo integral de los pequeños psicomotricidad capacidad de observación etc así como para facilitar la comunicación y la relación entre padres e hijos 150 enigmas y juegos de magia para engañar a tu cerebro jan 31 2022

150 enigmas y juegos de magia para enganar a tu c - Feb 11 2022

web 365 acertijos y retos de ingenio 150 enigmas y juegos de magia para engañar a tu cerebro 100 enigmas para triunfar en matematicas the icebound land 150 enigmas y juegos de lógica para volverse locos tongue twisters for kids the world through

picture books enigma 150 enigmas y juegos de historia para viajar en el tiempo

amy herzog s sweater sourcebook the ultimate guide for - Sep 08 2023

web buy amy herzog s sweater sourcebook the ultimate guide for adventurous knitters illustrated by herzog amy isbn

9781419726705 from amazon s book store everyday low prices and free delivery on eligible orders

amy herzog s ultimate sweater book the essential guide for adventurous - Nov 29 2022

web oct 16 2018 overview a full color comprehensive guide to knitting sweaters and designing and modifying sweater

patterns by amy herzog the author of you can knit that knit to flatter and knit wear love

amy herzog s ultimate sweater book the essential guide for - Jun 24 2022

web oct 16 2018 amy herzog abrams oct 16 2018 crafts hobbies 192 pages a comprehensive guide to knitting sweaters and

designing and modifying sweater patterns by the author of you can knit and

amy herzog s sweater sourcebook the ultimate guide for - Jul 06 2023

web buy amy herzog s sweater sourcebook the ultimate guide for adventurous knitters by herzog amy online on amazon ae at

best prices fast and free shipping free returns cash on delivery available on eligible purchase

pandora amy herzog s sweater sourcebook the ultimate guide - Mar 02 2023

web amy herzog s sweater sourcebook the ultimate guide for adventurous knitters amy herzog abrams 9781419726705 kitap

amy herzog s sweater sourcebook the ultimate guide for - Apr 03 2023

web amy herzog s ultimate sweater book the essential guide for adventurous knitters herzog amy avsar burcu pht published

by abrams 2018

the ultimate sweater book amy herzog designs - Aug 07 2023

web oct 16 2018 the ultimate sweater book is organized into four major sections part i the basics i start the book off with

sweater basics those unadorned wear with everything garments that i think we knitters often overlook the first chapter is all

foundational measurements ease swatching and some basic formulas

amy herzog s sweater sourcebook the ultimate guide for - Oct 29 2022

web amy herzog s sweater sourcebook the ultimate guide for adventurous knitters herzog amy amazon sg books

amy herzog s ultimate sweater book the essential guide for - Oct 09 2023

web oct 16 2018 a full color comprehensive guide to knitting sweaters and designing and modifying sweater patterns by

amy herzog the author of you can knit that knit to flatter and knit wear love yarn and fiber enthusiasts everywhere will

celebrate this fully illustrated guide to knitting sweaters starting with instructions for four basic sweater

amy herzog s ultimate sweater book the essential guide for - Jun 05 2023

web this essential guide details every aspect of sweater knitting starting with instructions for four basic sweater types yoke

raglan drop shoulder and set in sleeve patterns are offered in multiple sizes and yarn gauges for broad appeal

[amy herzog s ultimate sweater book the essential guide for](#) - Dec 31 2022

web oct 16 2018 amy herzog s ultimate sweater book the essential guide for adventurous knitters kindle edition by amy herzog author burcu avsar photographer format kindle edition 4 7 4 7 out of 5 stars 374 ratings

ebook amy herzog s sweater sourcebook the ultimate guide - Mar 22 2022

web ebook amy herzog s sweater sourcebook the ultimate guide for adventurous knitters for ipad copy link here news readbooks link oddo 1419726706 kindle online pdf amy herzog s sweater sourcebook the ultimate guide for

[amy herzog s sweater sourcebook the ultimate guide for](#) - Feb 01 2023

web buy amy herzog s sweater sourcebook the ultimate guide for adventurous knitters by amy herzog online at alibris we have new and used copies available in 1 editions starting at 14 24 shop now

amy herzog s ultimate sweater book the essential guide for - Aug 27 2022

web a full color comprehensive guide to knitting sweaters and designing and modifying sweater patterns by amy herzog the author of you can knit that knit to flatter and knit wear love yarn and fiber enthusiasts everywhere will celebrate this fully illustrated guide to knitting sweaters starting with instructions for four basic sweater types

ebook download amy herzog s sweater sourcebook the ultimate guide - Apr 22 2022

web read the latest magazines about ebook download amy herzog s sweater sourcebook the ultimate guide for adventurous knitters full and discover magazines on yumpu com

herzog a amy herzog s sweater sourcebook the essential guide - Sep 27 2022

web a full color comprehensive guide to knitting sweaters and designing and modifying sweater patterns by amy herzog the author of you can knit that knit to flatter and knit wear love yarn and fiber enthusiasts everywhere will celebrate this fully illustrated guide to knitting sweaters starting with instructions for four basic sweater types

amy herzog s sweater sourcebook the ultimate guide s245s - Feb 18 2022

web aug 5 2023 find many great new used options and get the best deals for amy herzog amy herzog s sweater sourcebook the ultimate guide s245s at the best online prices at ebay free delivery for many products

[amy herzog s sweater sourcebook the ultimate guide for](#) - May 24 2022

web find many great new used options and get the best deals for amy herzog s sweater sourcebook the ultimate guide for adventurous knitters by amy herzog paperback 2018 at the best online prices at ebay free delivery for many products

amy herzog s ultimate sweater book the essential guide - May 04 2023

web oct 16 2018 amy herzog s ultimate sweater book the essential guide for adventurous knitters amy herzog 4 36 135 ratings 21 reviews a full color comprehensive guide to knitting sweaters and designing and modifying sweater patterns by

amy herzog the author of you can knit that knit to flatter and knit wear love

amy herzog s ultimate sweater book the essential guide for - Jul 26 2022

web amy herzog s ultimate sweater book the essential guide for adventurous knitters ebook written by amy herzog read this book using google play books app on your pc android ios devices download for offline reading highlight bookmark or take notes while you read amy herzog s ultimate sweater book the essential guide for adventurous